



US00D685716S

(12) **United States Design Patent**
Castro

(10) **Patent No.:** **US D685,716 S**

(45) **Date of Patent:** **** Jul. 9, 2013**

(54) **MOTORCYCLE GOLF CLUB BAG CARRYING DEVICE**

(75) Inventor: **Glenn A. Castro**, Oceanside, CA (US)

(73) Assignee: **Glenn A. Castro**, Oceanside, CA (US)

(**) Term: **14 Years**

(21) Appl. No.: **29/420,175**

(22) Filed: **May 4, 2012**

(51) **LOC (9) Cl.** **12-11**

(52) **U.S. Cl.**
USPC **D12/408**

(58) **Field of Classification Search**
USPC D12/406-408, 414, 110; D6/552; 280/288.4;
296/37.1; 224/42.11, 412-432
See application file for complete search history.

(56) **References Cited**

U.S. PATENT DOCUMENTS

| | | |
|-------------|--------|--------|
| 4,387,836 A | 6/1983 | Laesch |
| 4,393,986 A | 7/1983 | Sirey |
| 5,207,361 A | 5/1993 | Slifka |
| D409,557 S | 5/1999 | Armour |

| | | |
|--------------|--------|-----------------|
| D437,578 S | 2/2001 | Stannard-Warne |
| D439,215 S | 3/2001 | Kahmann |
| D459,694 S | 7/2002 | Yuhanick et al. |
| 6,938,806 B2 | 9/2005 | James |
| 7,156,272 B2 | 1/2007 | Dean |
| 7,870,985 B2 | 1/2011 | King et al. |
| 7,931,176 B1 | 4/2011 | Wenom, Jr. |

Primary Examiner — Susan M Lee

Assistant Examiner — Linda G Brooks

(74) *Attorney, Agent, or Firm* — Schlee IP International, P.C.; Alexander R. Schlee

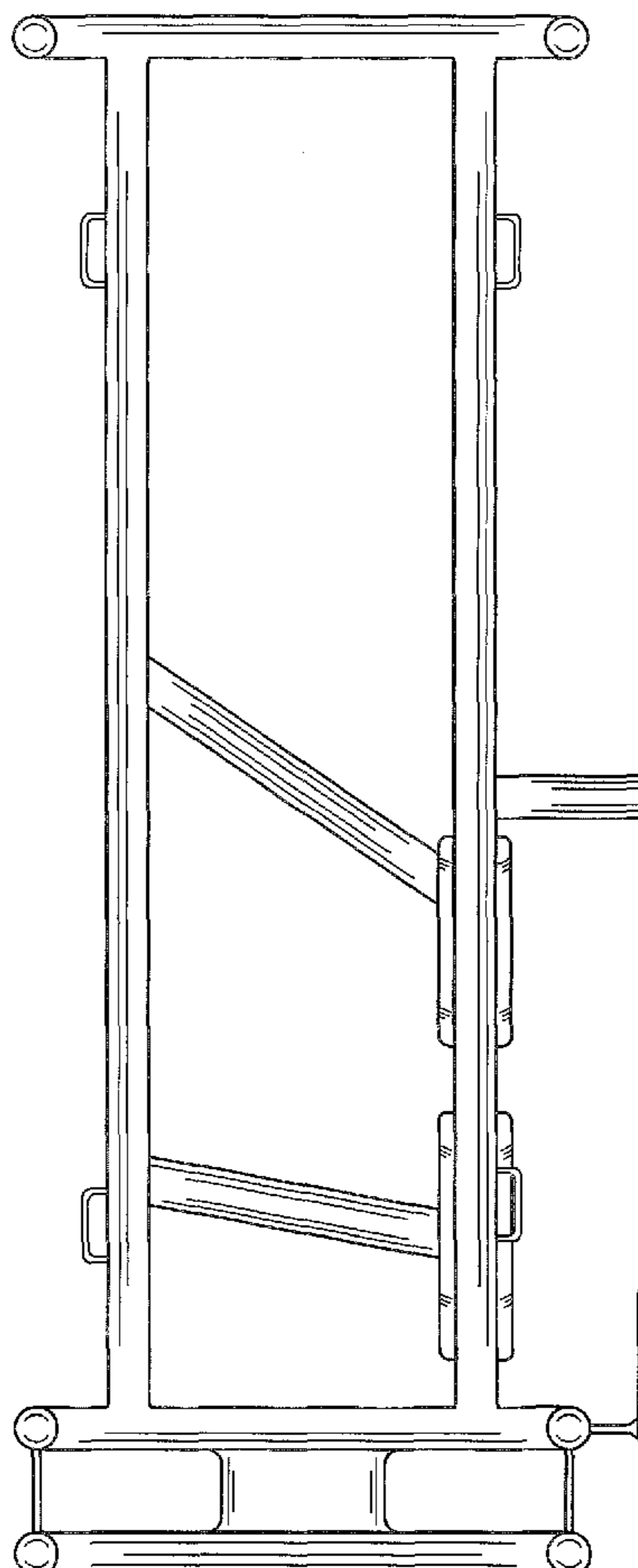
(57) **CLAIM**

The ornamental design for a motorcycle golf club bag carrying device, as shown and described.

DESCRIPTION

FIG. 1 is a side perspective view of the claimed motorcycle golf club bag carrying device;
FIG. 2 is a top plan view thereof;
FIG. 3 is a bottom plan view thereof;
FIG. 4 is a left side view thereof;
FIG. 5 is a right side view thereof;
FIG. 6 is a rear view thereof; and,
FIG. 7 is a front view thereof.

1 Claim, 7 Drawing Sheets



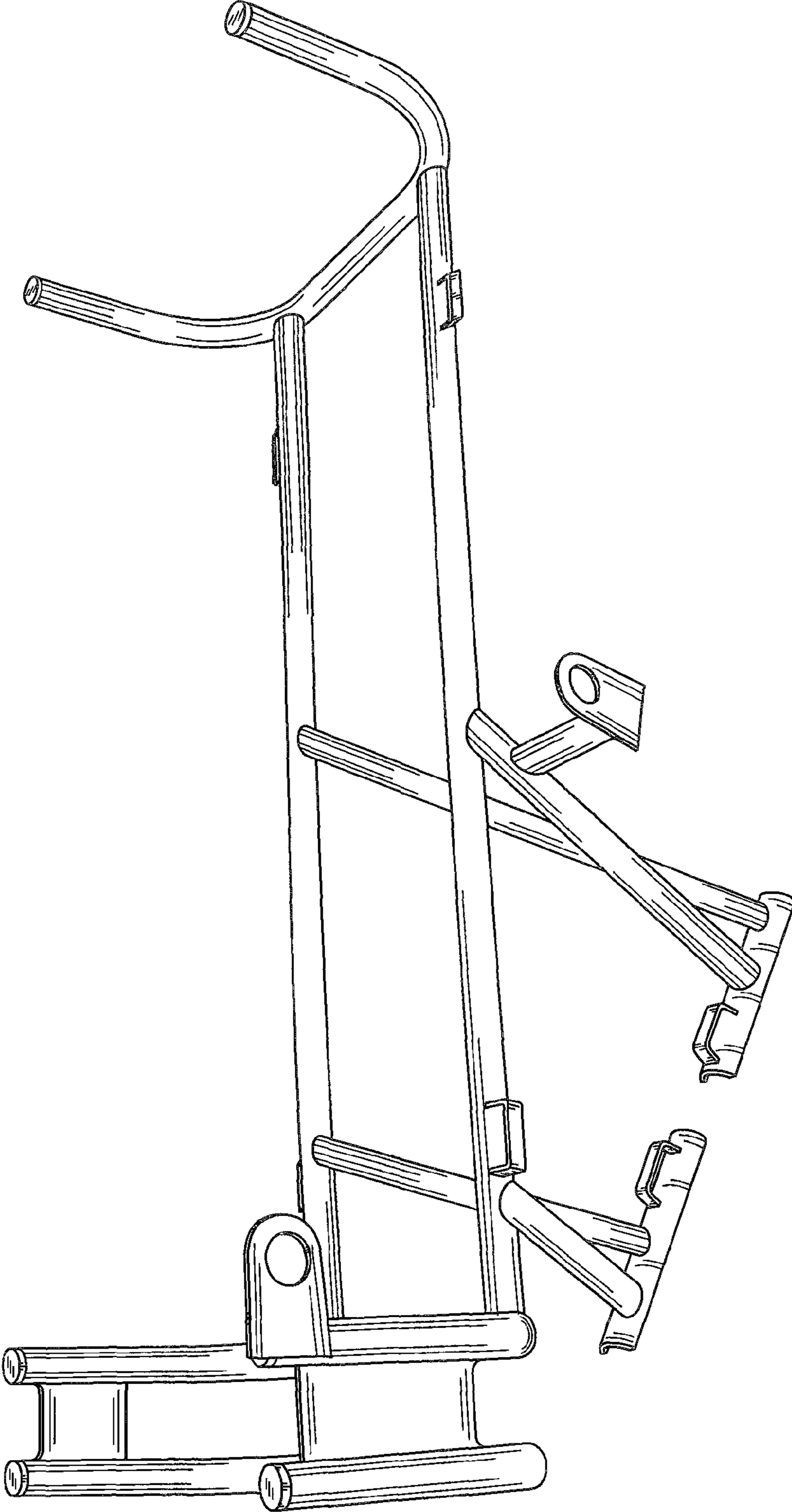


FIG. 1

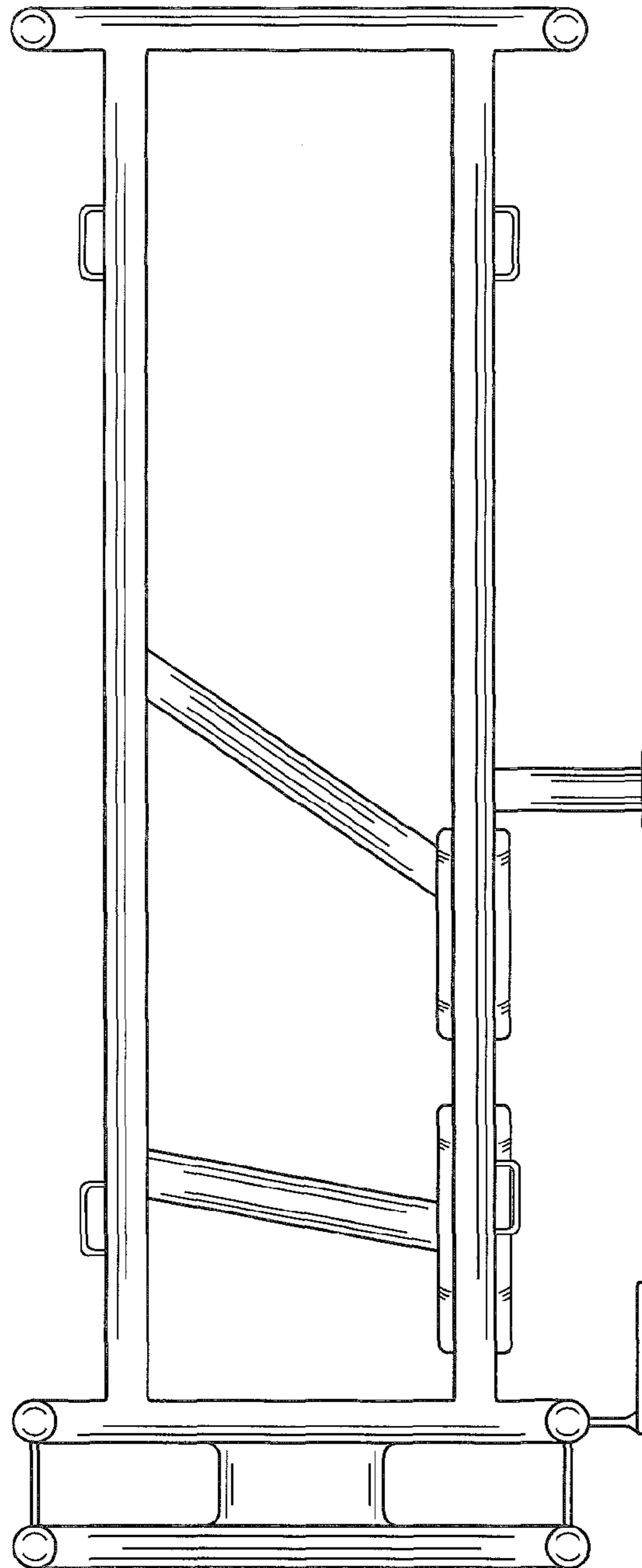


FIG. 2

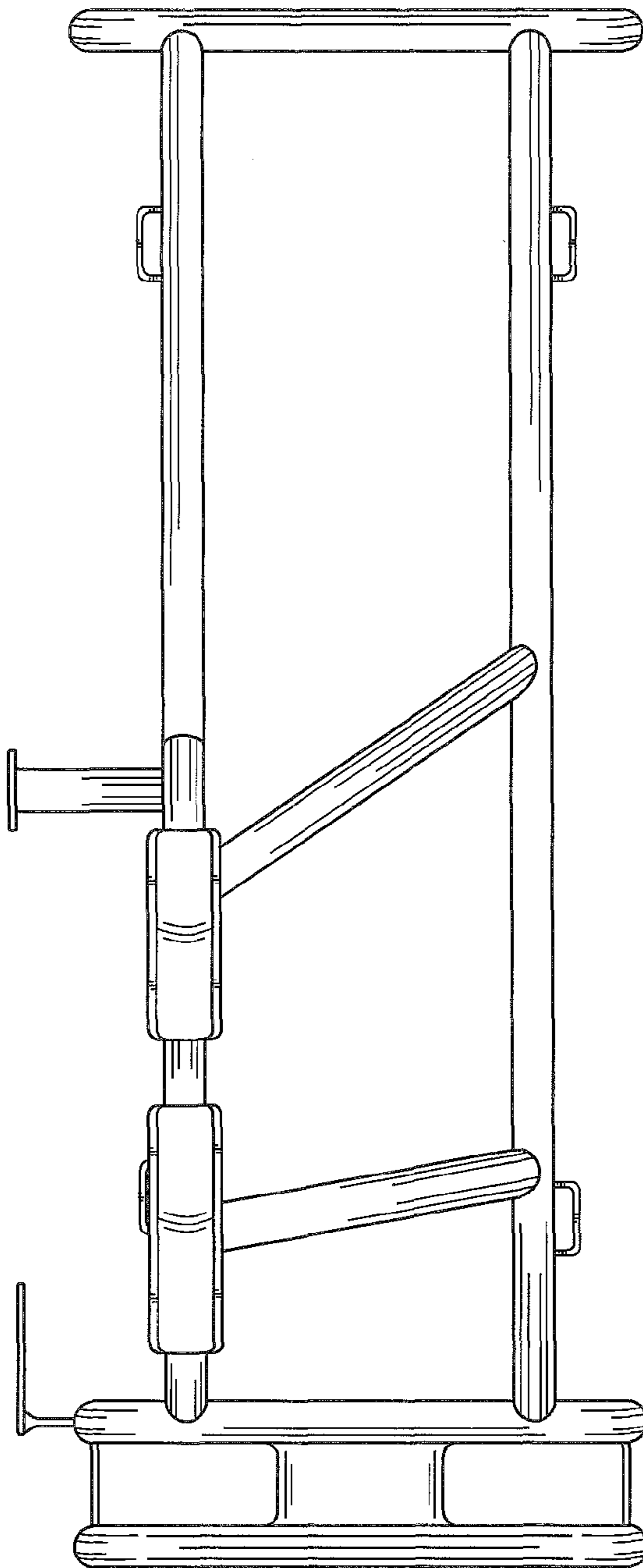


FIG. 3

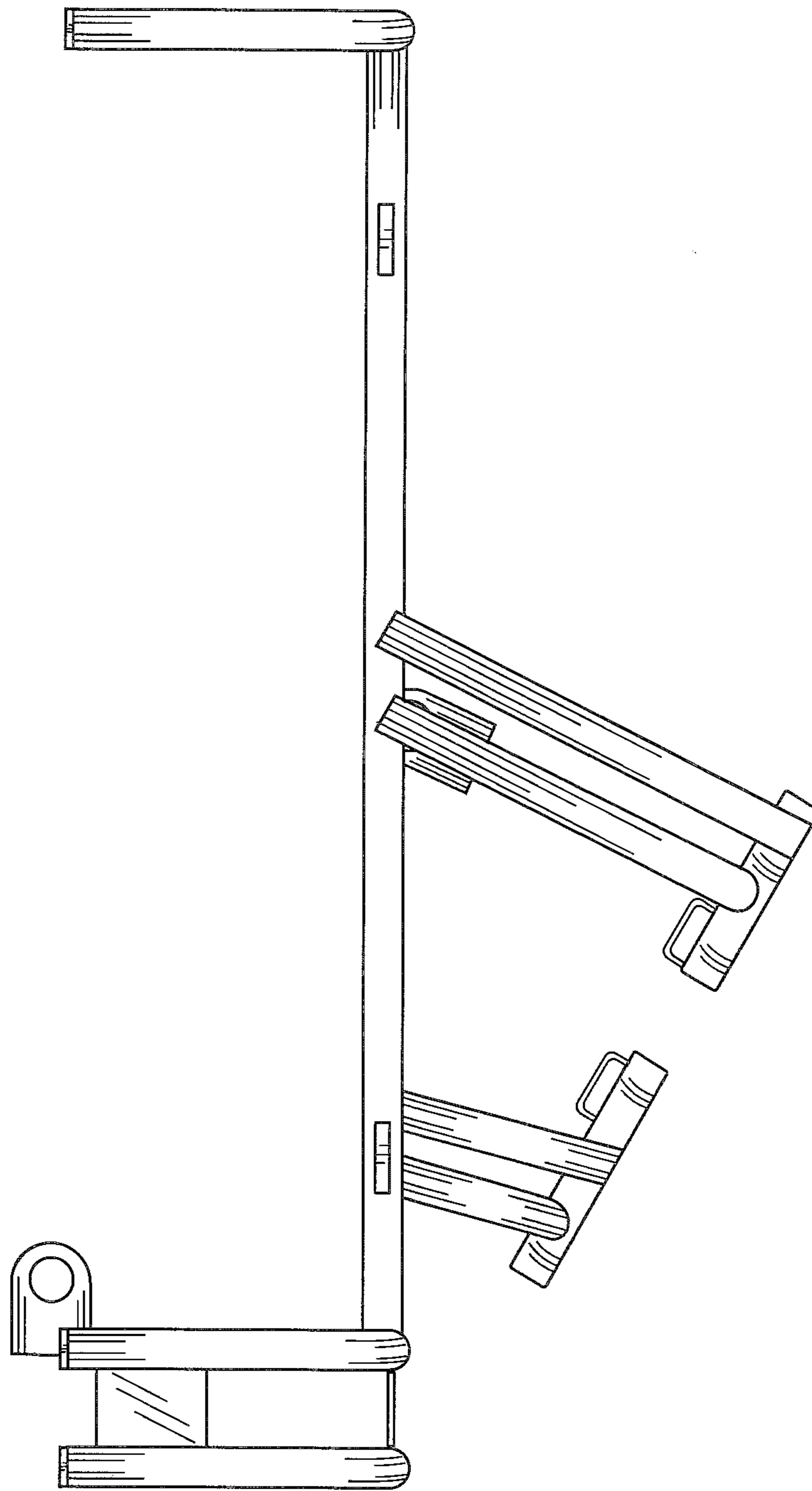


FIG. 4

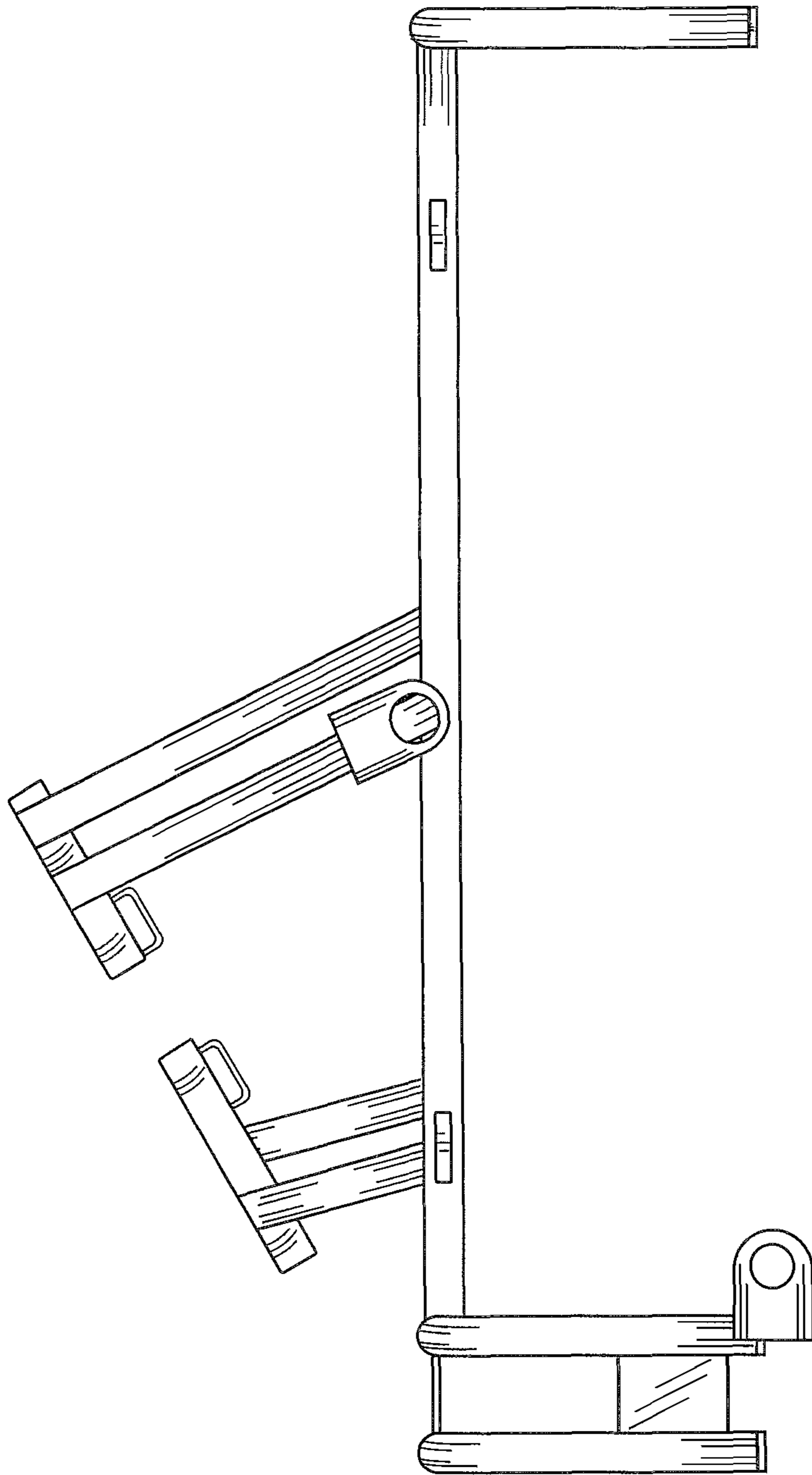


FIG. 5

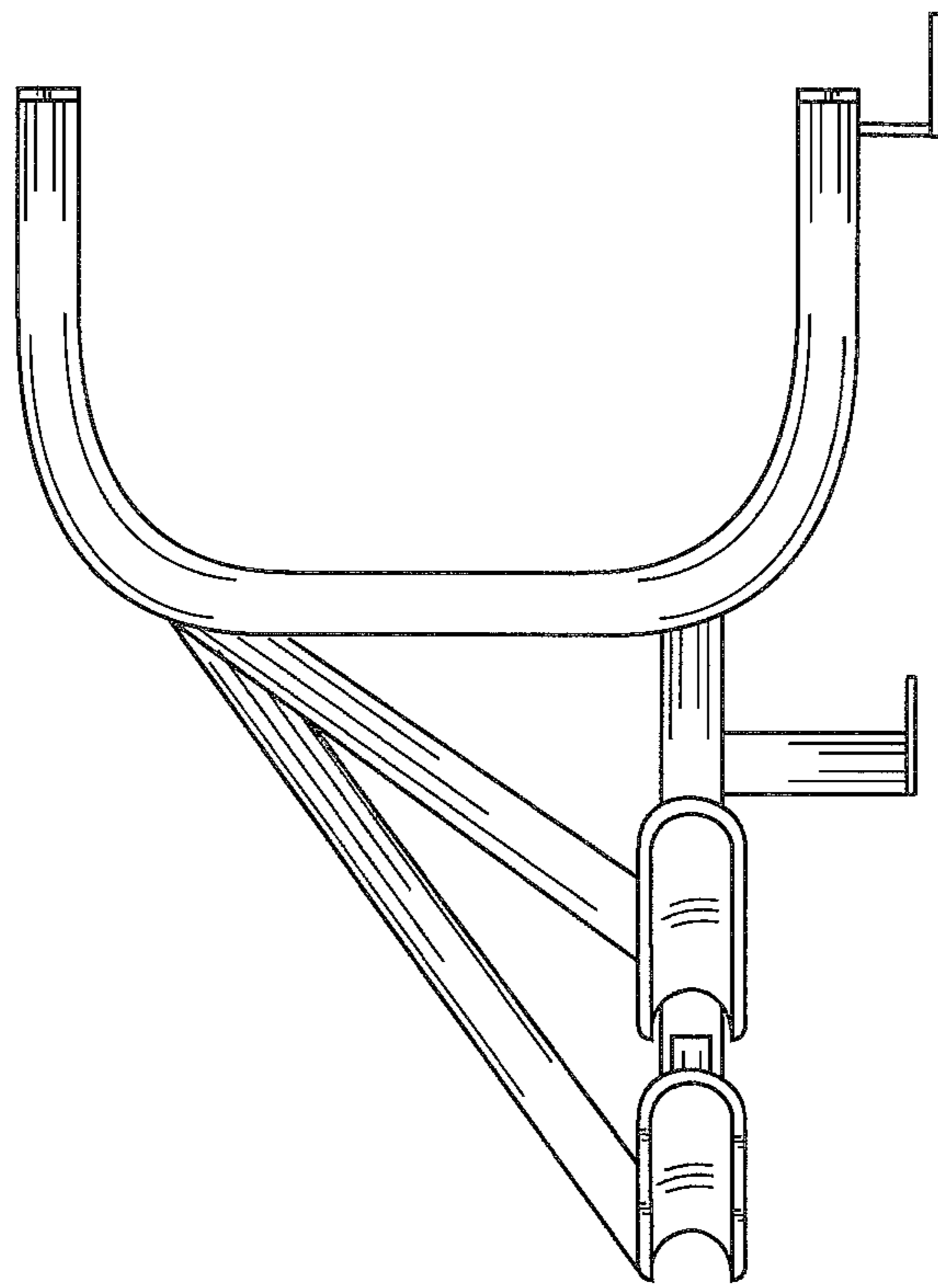


FIG. 6

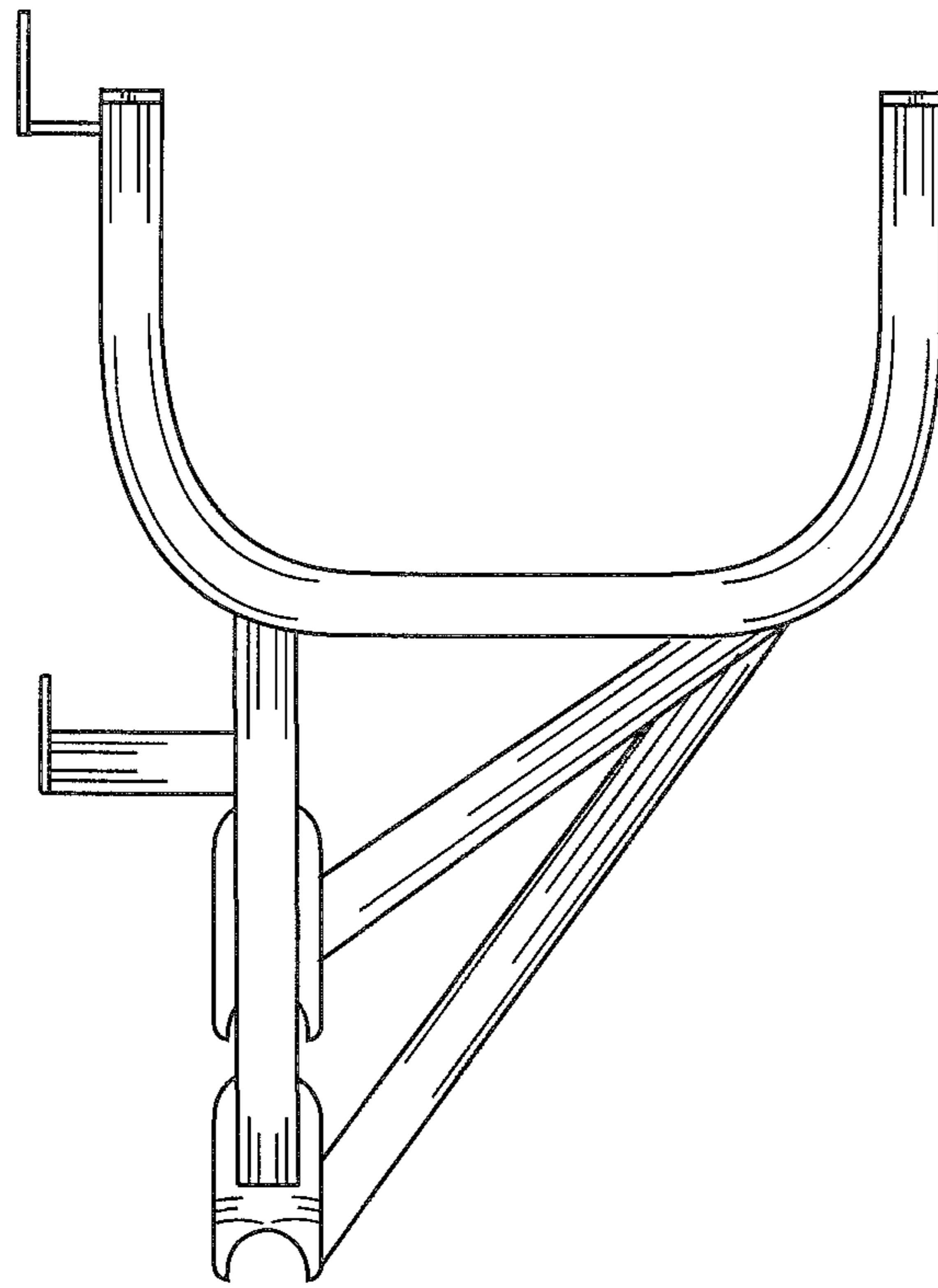


FIG. 7