



US00D685715S

(12) **United States Design Patent**
Franta

(10) **Patent No.:** **US D685,715 S**
(45) **Date of Patent:** **** Jul. 9, 2013**

(54) **MAST BLOCK**

(56) **References Cited**

(71) Applicant: **John E Franta**, Mesa, AZ (US)

U.S. PATENT DOCUMENTS

(72) Inventor: **John E Franta**, Mesa, AZ (US)

139,230	A	*	5/1873	Bell	403/210
D249,326	S	*	9/1978	Johanson	D8/367
D269,410	S	*	6/1983	Johansson	D8/367
D269,411	S	*	6/1983	Johansson	D8/367

(**) Term: **14 Years**

* cited by examiner

(21) Appl. No.: **29/436,656**

Primary Examiner — Cynthia M Chin

(22) Filed: **Nov. 8, 2012**

(74) *Attorney, Agent, or Firm* — Ronald R. Kilponen

(51) **LOC (9) Cl.** **12-06**

(57) **CLAIM**

I claim the ornamental design for a mast block, as shown and described.

(52) **U.S. Cl.**

USPC **D12/317**

DESCRIPTION

(58) **Field of Classification Search**

USPC D12/317; D8/349, 367; 114/102.2,
114/108-115; 254/393; 24/115

FIG. 1 is a front view of the mast block showing the new design:

FIG. 2 is a back view thereof;

FIG. 3 is a left side view with thereof;

FIG. 4 is a right side view thereof;

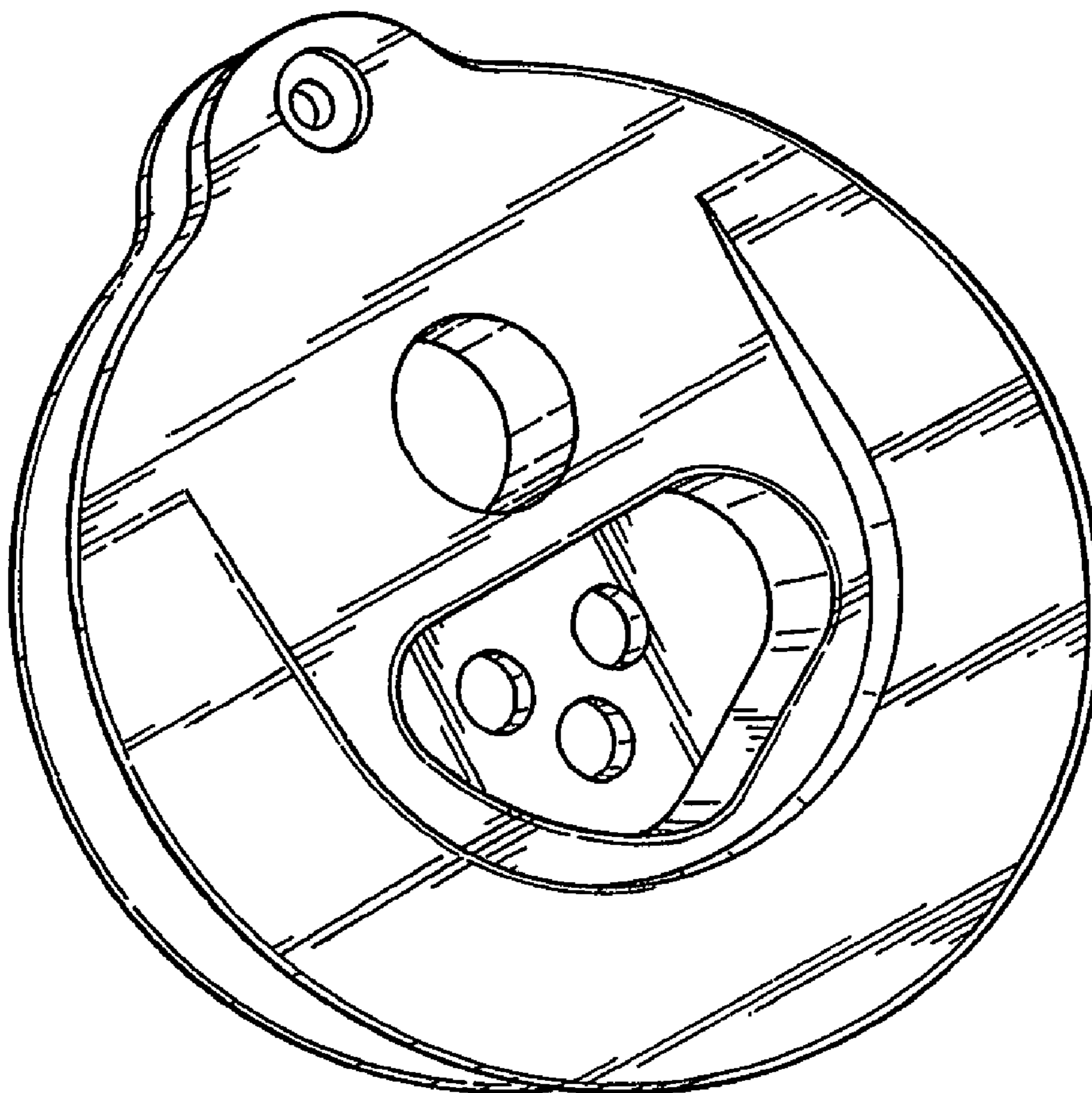
FIG. 5 is a top view thereof;

FIG. 6 is a bottom view thereof; and,

FIG. 7 is a top perspective view thereof.

See application file for complete search history.

1 Claim, 3 Drawing Sheets



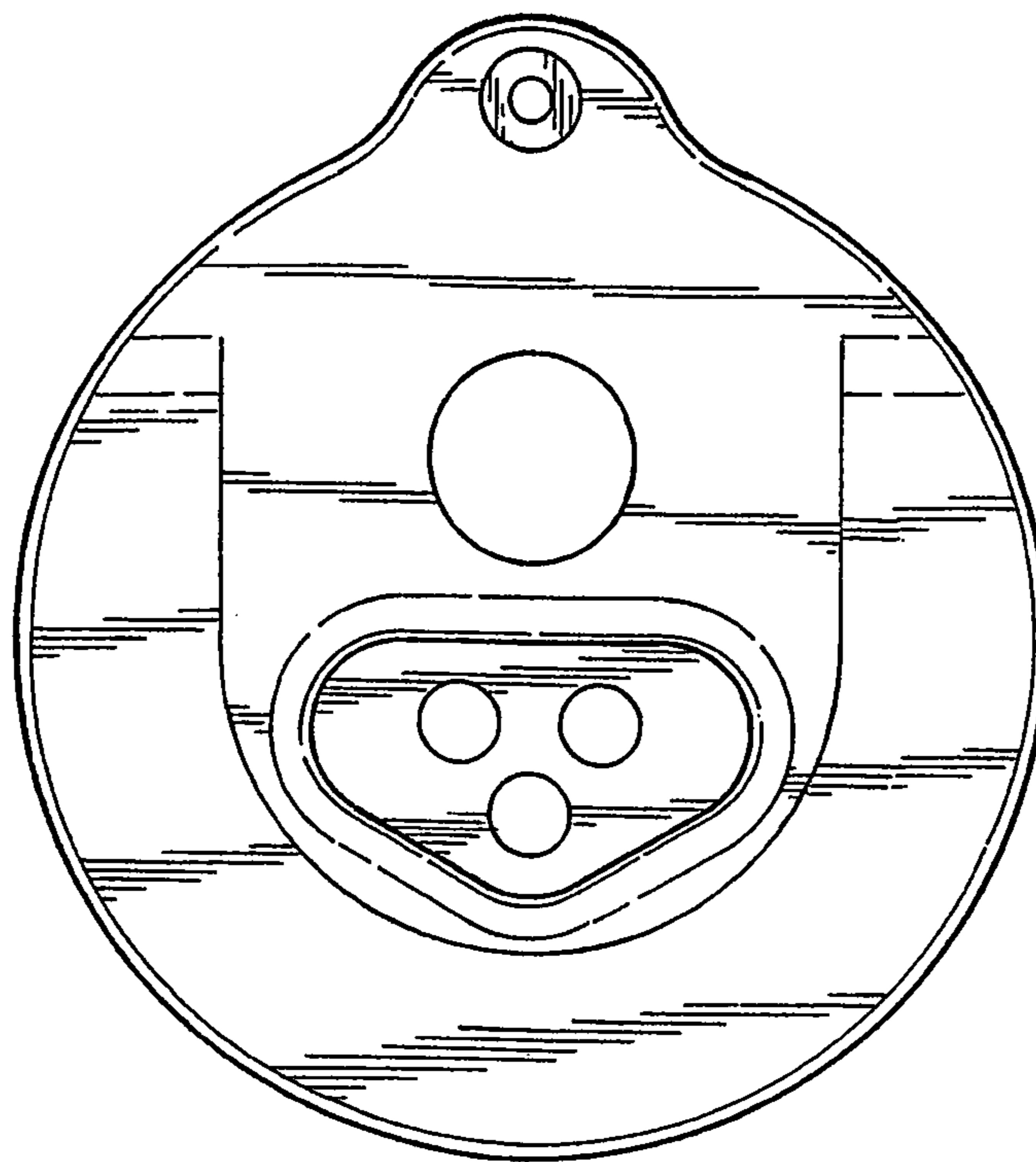


FIG.1

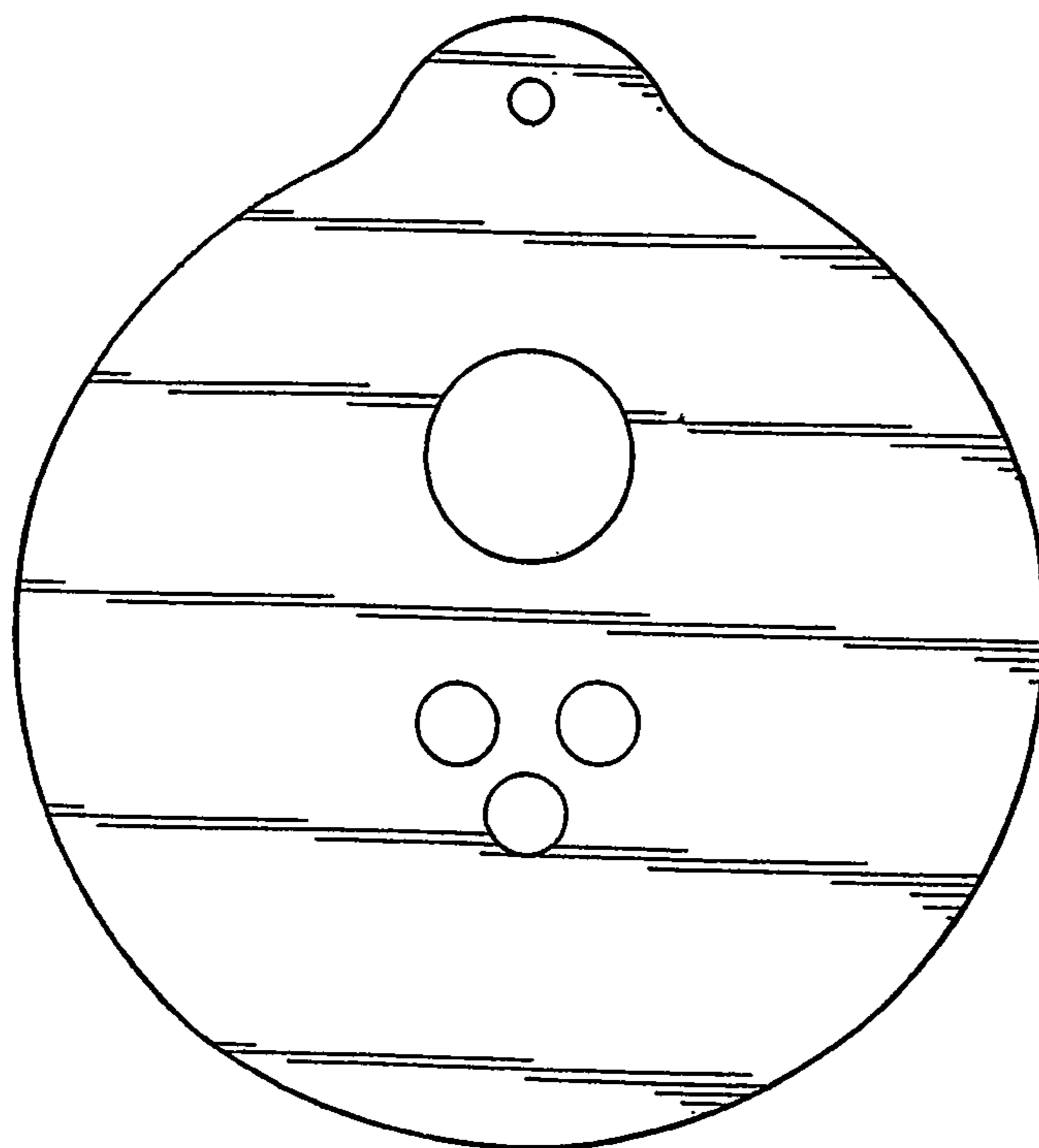


FIG.2

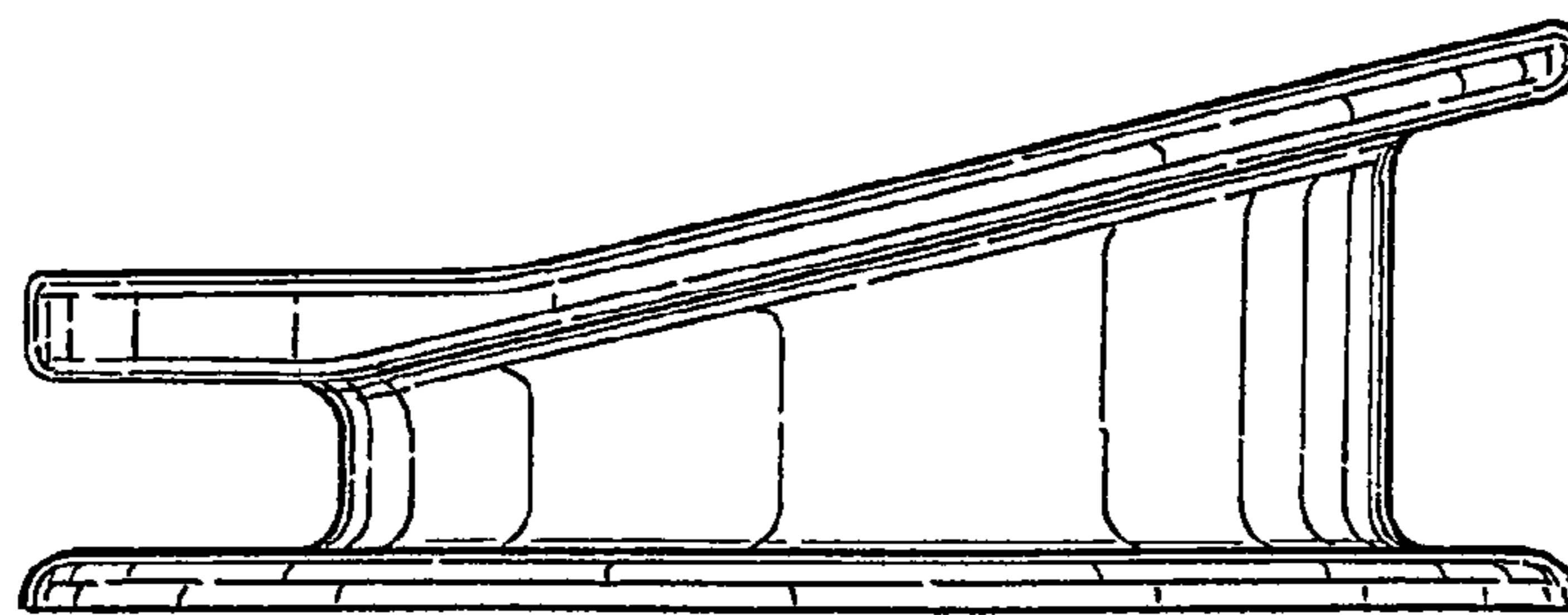


FIG.3

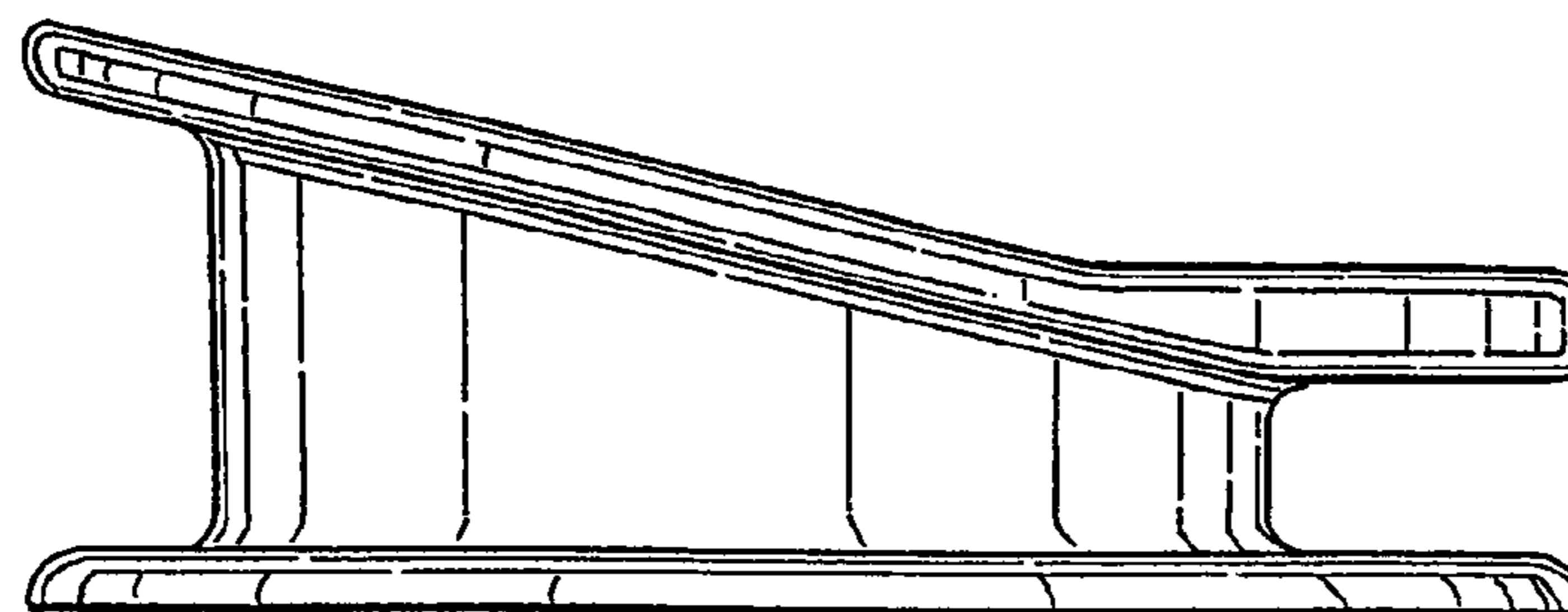


FIG.4

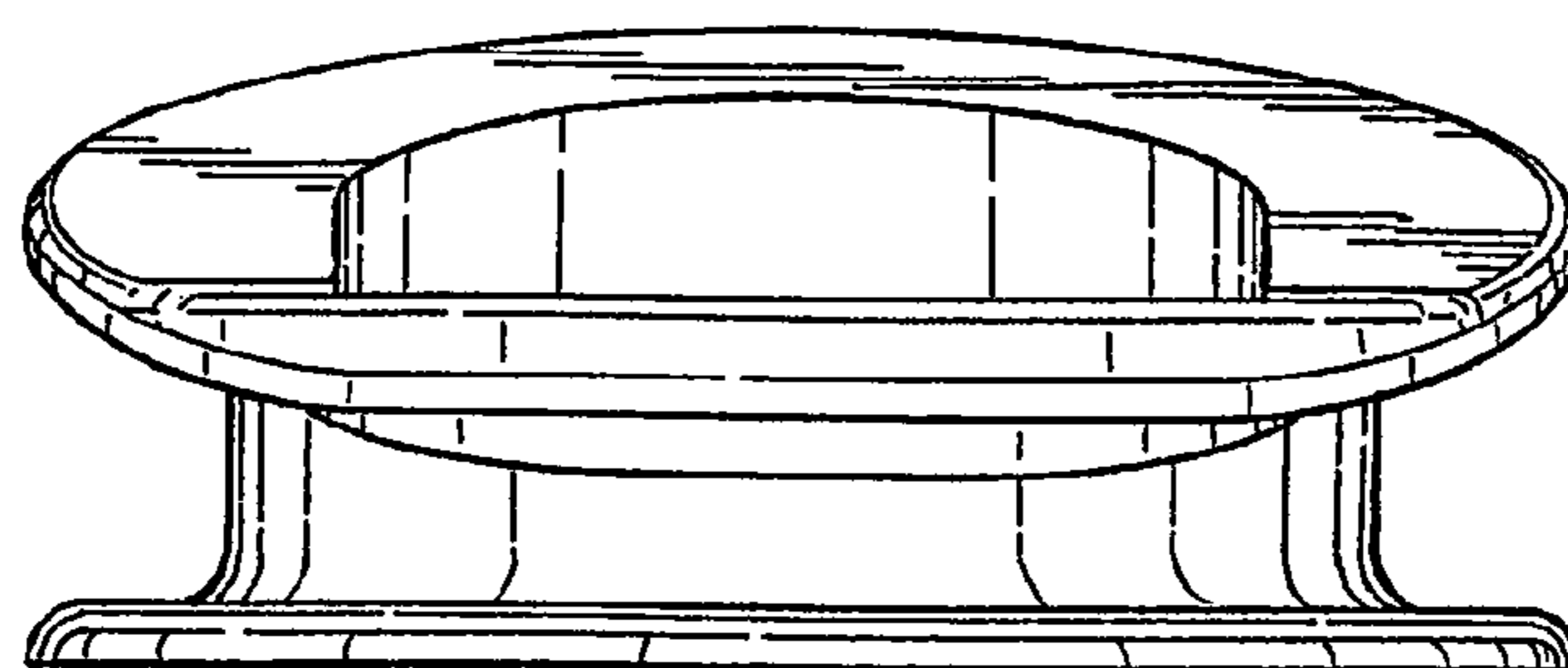


FIG.5

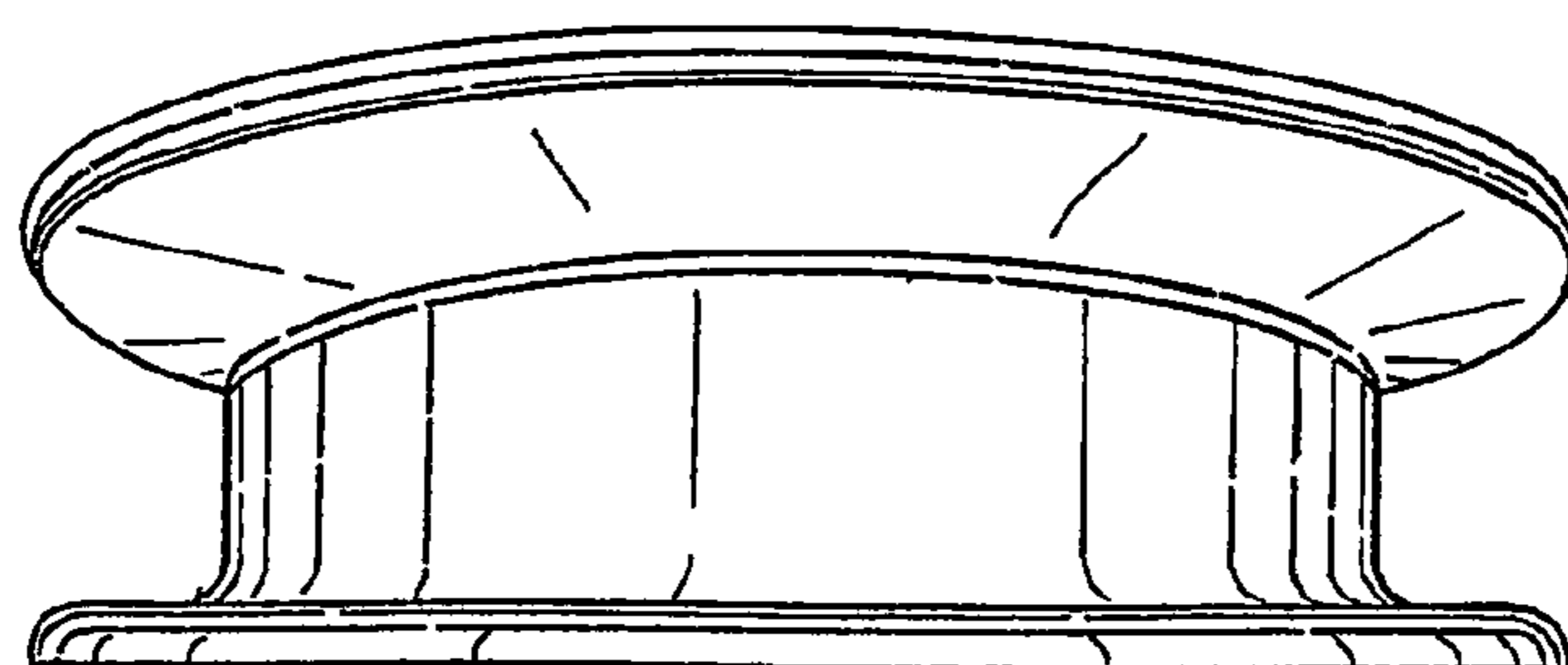


FIG.6

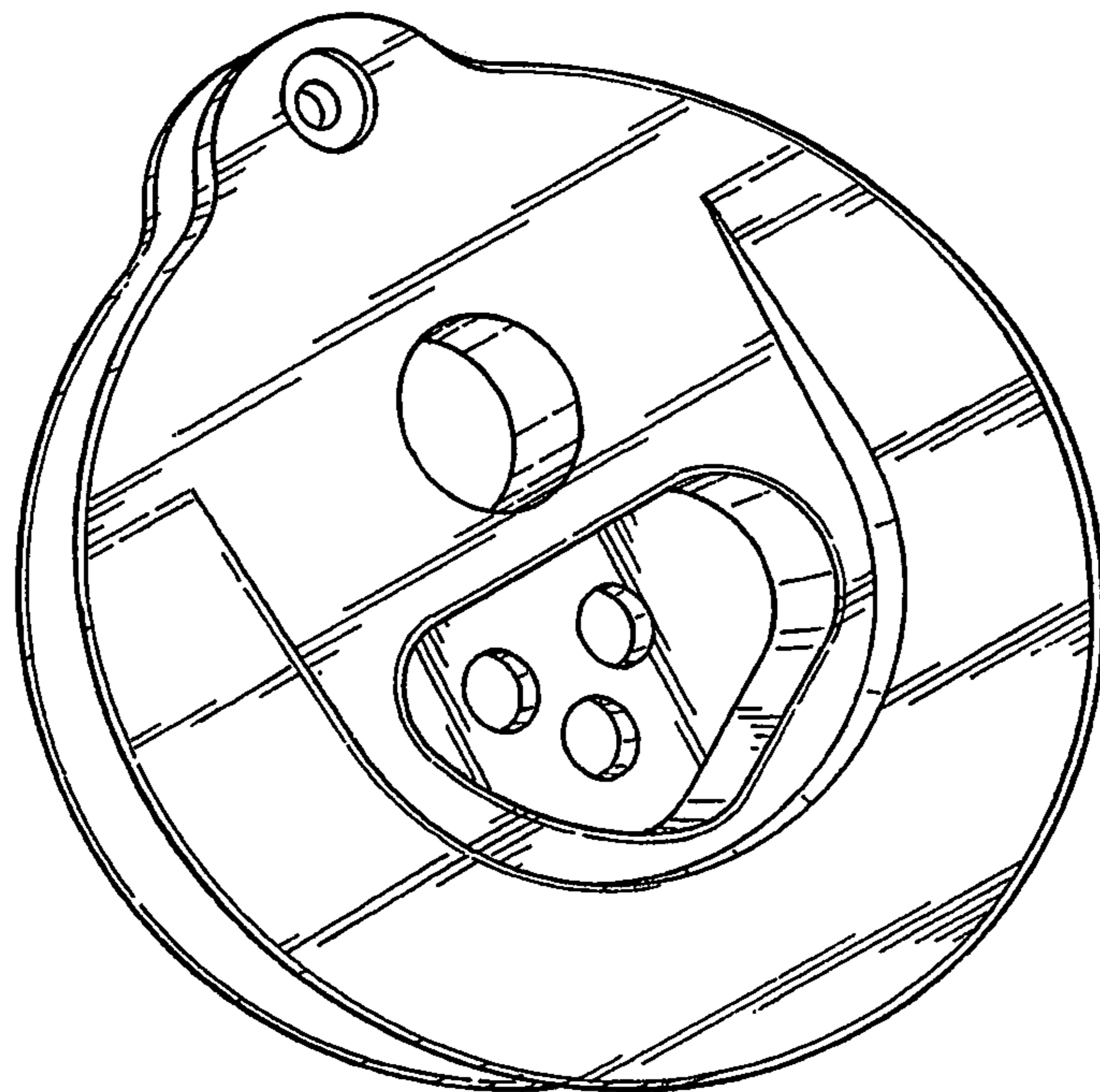


FIG.7