



US00D685713S

(12) **United States Design Patent**
Wang

(10) **Patent No.:** **US D685,713 S**
(45) **Date of Patent:** **** Jul. 9, 2013**

(54) **WINDSHIELD WIPER**

(75) Inventor: **Shuwu Wang**, Xiamen (CN)

(73) Assignee: **Xiamen Fuke Car Accessories Co., Ltd.**, Xiamen, Fujian (CN)

(**) Term: **14 Years**

(21) Appl. No.: **29/425,745**

(22) Filed: **Jun. 27, 2012**

(51) **LOC (9) Cl.** **12-06**

(52) **U.S. Cl.**
USPC **D12/219**

(58) **Field of Classification Search**
USPC D12/219–220; 15/246, 247, 250.001, 15/250.4, 250.361, 250.19, 250.48, 250.03, 15/250.31–250.33, 250.351, 250.38, 250.201, 15/250.451, 250.458, 250.04, 250.07, 250.44
See application file for complete search history.

(56) **References Cited**

U.S. PATENT DOCUMENTS

D379,613 S * 6/1997 Chen D12/219
D382,848 S * 8/1997 Chen D12/219
2007/0192983 A1* 8/2007 Chen 15/250.001

2011/0041280 A1* 2/2011 Choi et al. 15/250.361
2011/0247165 A1* 10/2011 Roodt et al. 15/250.001
2012/0246859 A1* 10/2012 Schaeuble et al. 15/250.32
2012/0246860 A1* 10/2012 Schaeuble et al. 15/250.32

* cited by examiner

Primary Examiner — Katrina A Betton

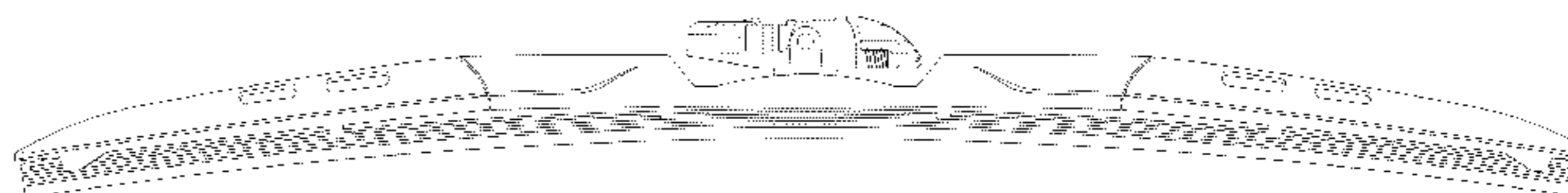
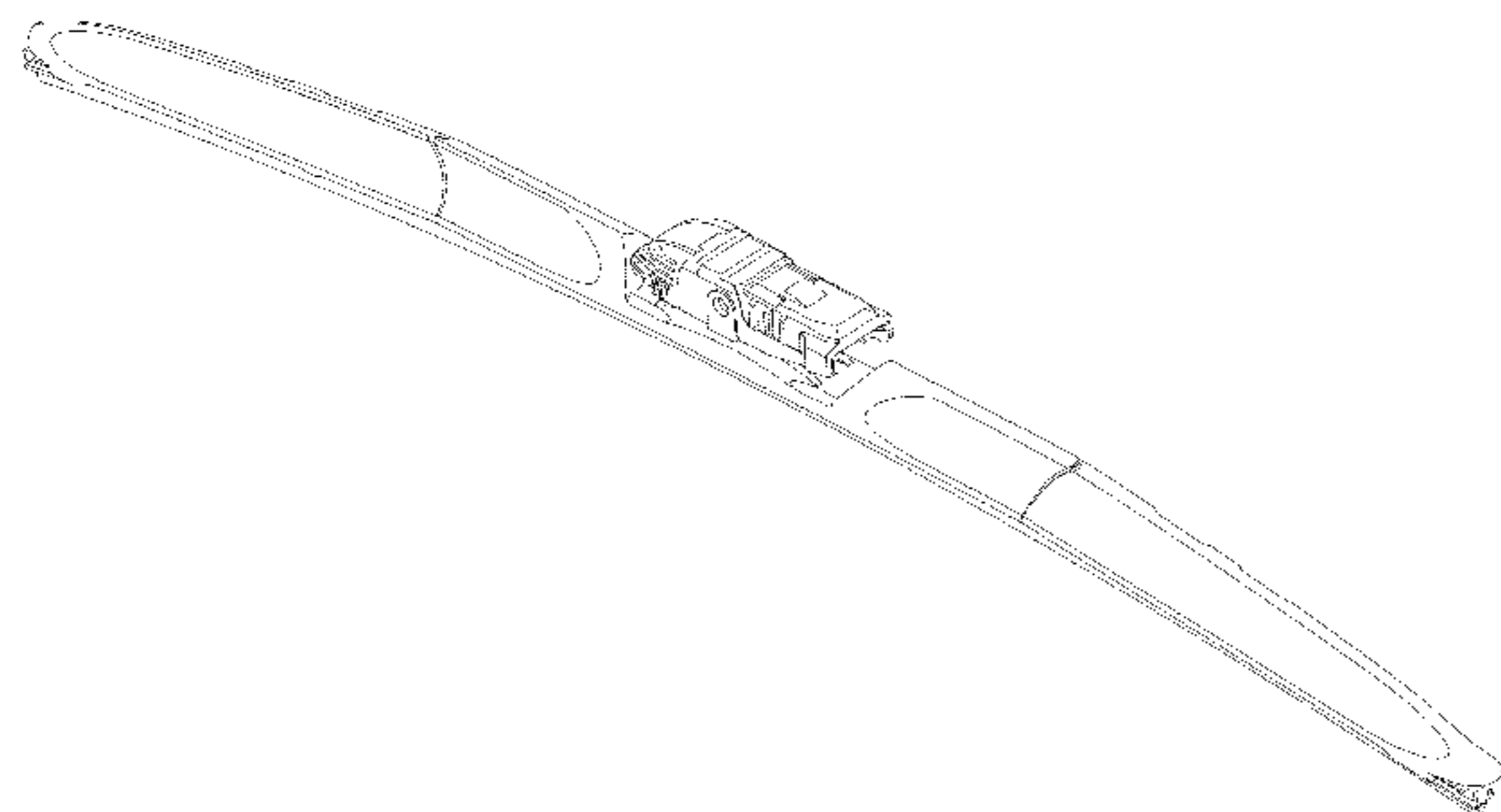
(57) **CLAIM**

The ornamental design for a windshield wiper, as shown and described.

DESCRIPTION

FIG. 1 is a perspective view of windshield wiper showing my present design;
FIG. 2 is another perspective view of windshield wiper showing my present design;
FIG. 3 is a front view thereof;
FIG. 4 is a rear view thereof;
FIG. 5 is a left view thereof;
FIG. 6 is a right view thereof;
FIG. 7 is a top view thereof; and,
FIG. 8 is a bottom view thereof.
The broken lines represent portions of the structure that forms no part of the claim.

1 Claim, 3 Drawing Sheets



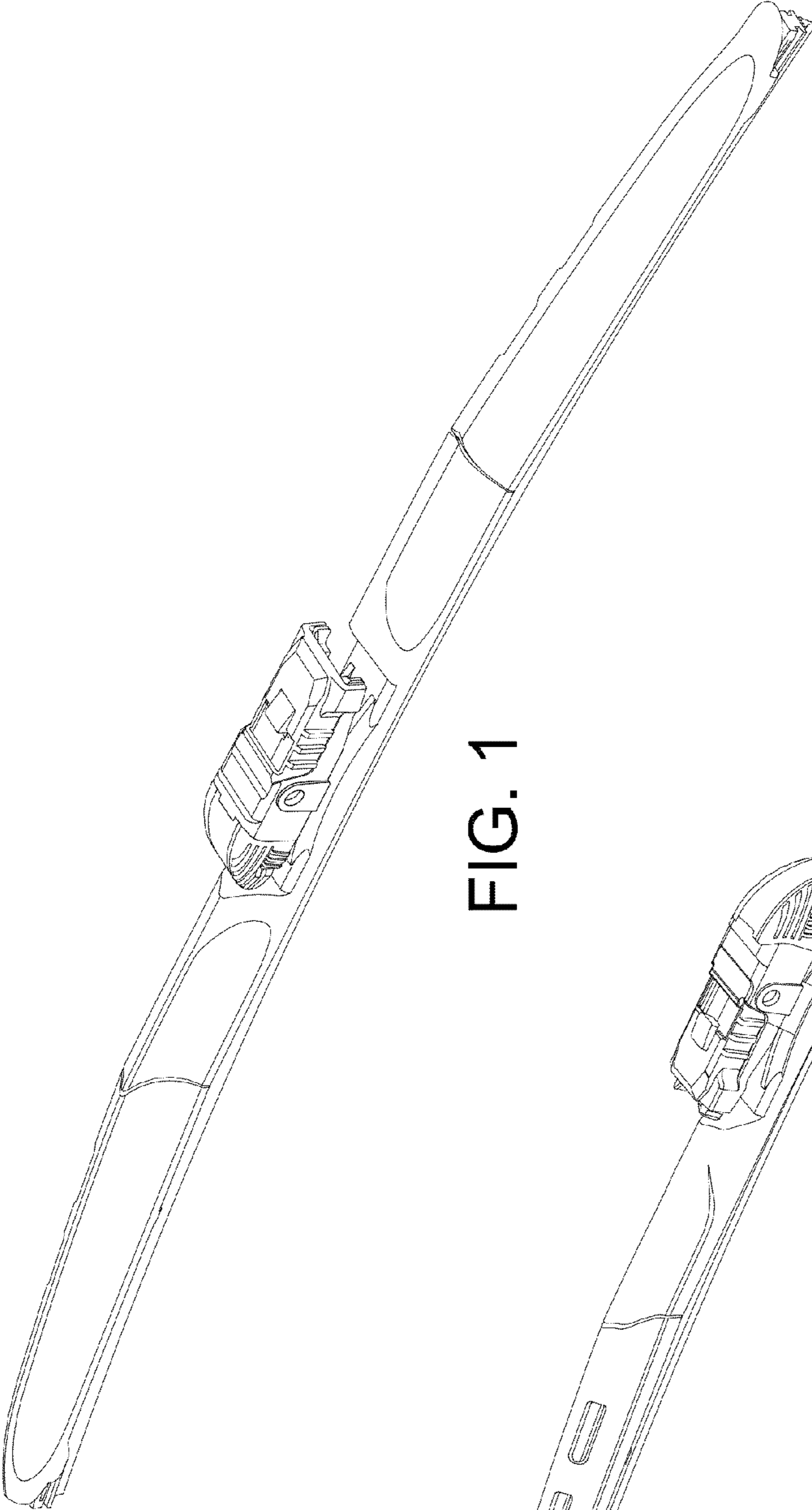


FIG. 1

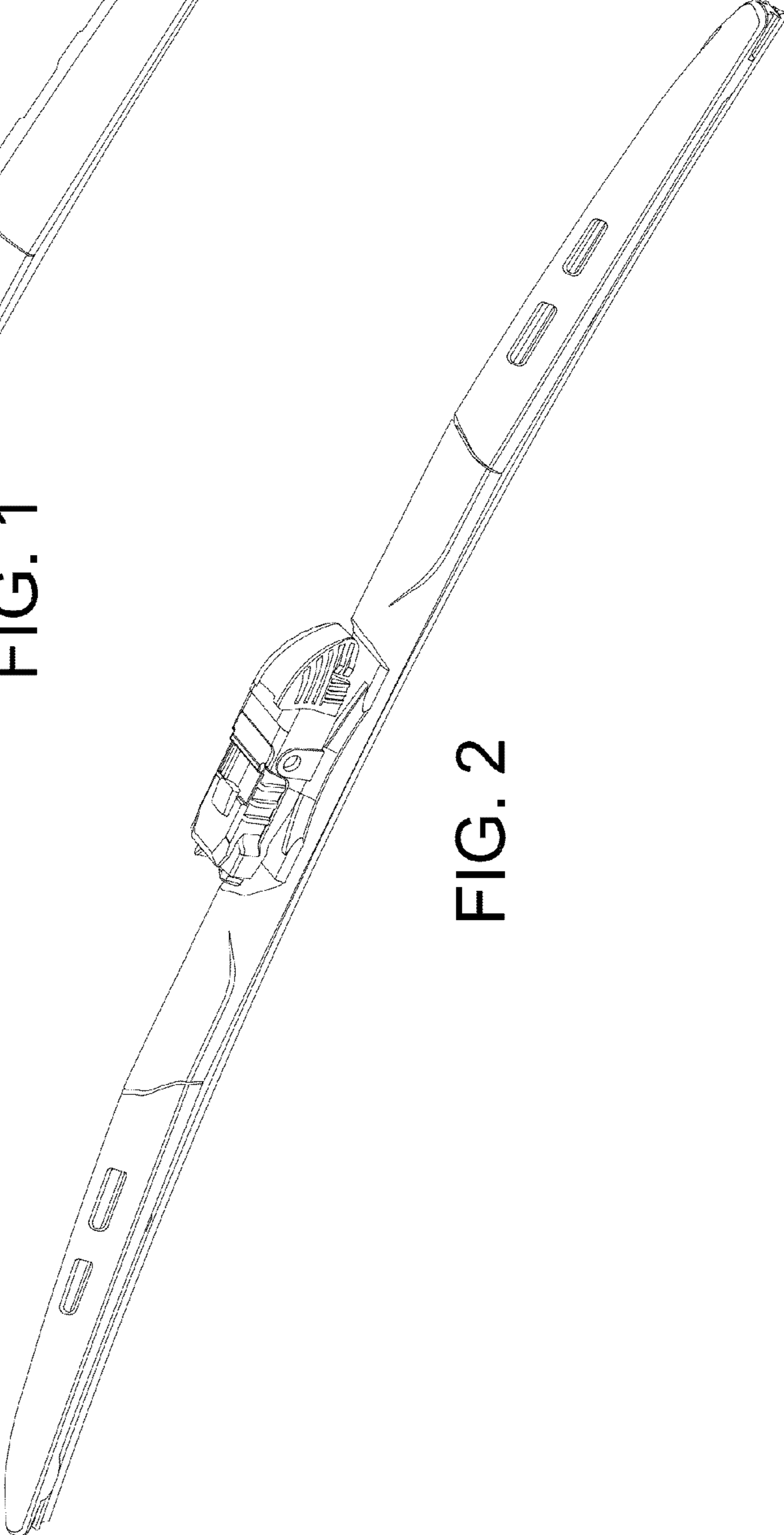


FIG. 2

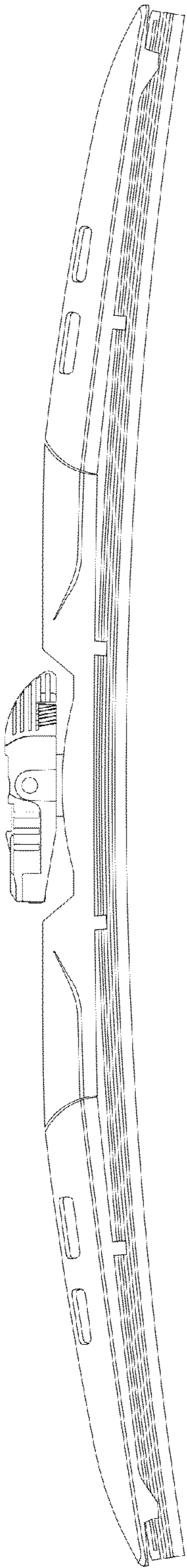


FIG. 3

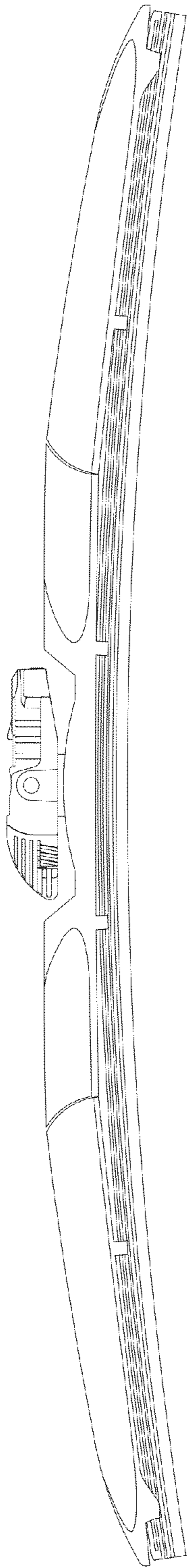


FIG. 4

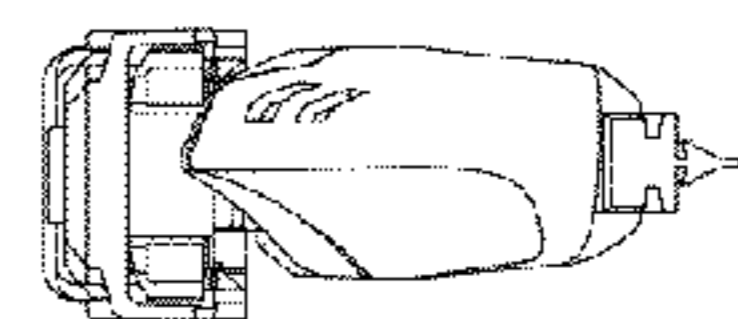


FIG. 5



FIG. 6

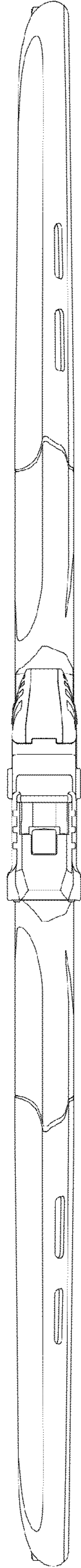


FIG. 7

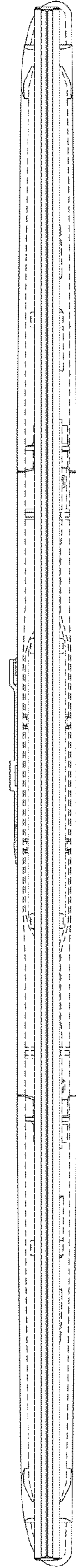


FIG. 8