



US00D685712S

(12) **United States Design Patent**
An

(10) **Patent No.:** **US D685,712 S**
(45) **Date of Patent:** **** Jul. 9, 2013**

- (54) **WIPER**
- (75) Inventor: **Jaehyuck An**, Daegu (KR)
- (73) Assignee: **KCW Corporation** (KR)
- (**) Term: **14 Years**
- (21) Appl. No.: **29/388,044**
- (22) Filed: **Mar. 23, 2011**
- (51) **LOC (9) Cl.** **12-06**
- (52) **U.S. Cl.**
USPC **D12/219**
- (58) **Field of Classification Search**
USPC D12/219-220; 15/246, 247, 250.001,
15/250.4, 250.361, 250.19, 250.48, 250.03,
15/250.31-250.33, 250.351, 250.38, 250.201,
15/250.451, 250.458, 250.04, 250.07, 250.44
See application file for complete search history.

- 5,383,249 A 1/1995 Yang
- 5,412,177 A 5/1995 Clark
- 5,454,135 A 10/1995 Okuya et al.

(Continued)

FOREIGN PATENT DOCUMENTS

- CA 2583885 10/2008
- CA 2584034 10/2008

(Continued)

Primary Examiner — Richard E Chilcot
Assistant Examiner — Katrina A Betton

(74) *Attorney, Agent, or Firm* — The Belles Group, P.C.

(57) **CLAIM**

The ornamental design for a wiper, as shown and described.

DESCRIPTION

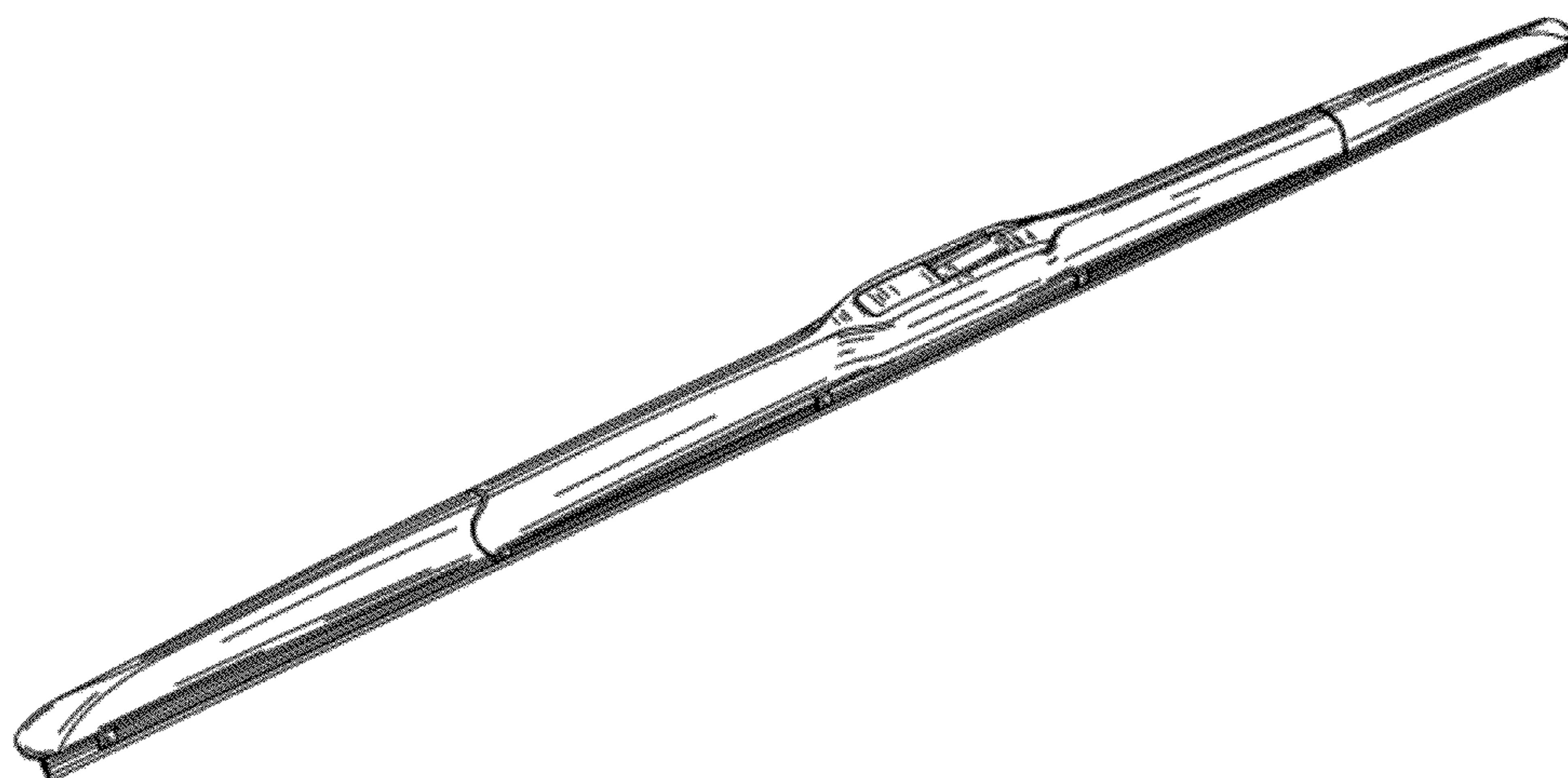
FIG. 1 is a top perspective view of a wiper according to my new design;
 FIG. 2 is a bottom perspective view thereof;
 FIG. 3 is a rear plan view thereof;
 FIG. 4 is a front plan view thereof;
 FIG. 5 is a top plan view thereof;
 FIG. 6 is a bottom plan view thereof;
 FIG. 7 is a left-side plan view thereof;
 FIG. 8 is a right-side plan view thereof;
 FIG. 9 is a cross-sectional view thereof taken along view IX-IX of FIG. 5;
 FIG. 10 is a cross-sectional view thereof taken along view X-X of FIG. 5;
 FIG. 11 is a cross-sectional view thereof taken along view XI-XI of FIG. 5;
 FIG. 12 is a cross-sectional view thereof taken along view XII-XII of FIG. 5;
 FIG. 13 is a cross-sectional view thereof taken along view XIII-XIII of FIG. 5; and,
 FIG. 14 is a cross-sectional view thereof taken along view XIV-XIV of FIG. 5.

(56) **References Cited**

U.S. PATENT DOCUMENTS

- 2,677,239 A 5/1954 Parker
- 3,372,420 A 3/1968 Barthruff
- 3,431,578 A 3/1969 Clemett
- 3,590,415 A 7/1971 Mori
- 3,613,318 A 10/1971 Gianatasio
- 3,657,762 A 4/1972 Arman
- 3,667,082 A 6/1972 Hoyler
- 3,800,624 A 4/1974 Jakob et al.
- 4,561,143 A 12/1985 Beneteau
- 4,570,284 A 2/1986 Verton
- 4,590,638 A 5/1986 Beneteau
- 4,741,071 A 5/1988 Bauer et al.
- 4,782,547 A 11/1988 Mohnach
- 4,989,290 A 2/1991 Hoshino
- 5,093,954 A 3/1992 Kuzuno
- 5,179,761 A 1/1993 Buechele et al.
- 5,206,969 A 5/1993 Patterson et al.
- 5,218,735 A 6/1993 Maubray
- 5,283,925 A 2/1994 Maubray

1 Claim, 7 Drawing Sheets



US D685,712 S

Page 2

U.S. PATENT DOCUMENTS		
5,509,166	A	4/1996 Wagner et al.
D370,199	S	5/1996 Kim
5,564,157	A	10/1996 Kushida et al.
D376,575	S	12/1996 Chen
D379,613	S	6/1997 Chen
5,647,088	A	7/1997 Bommer et al.
D382,848	S	8/1997 Chen
5,737,799	A	4/1998 Maubray et al.
D398,281	S	9/1998 Juran et al.
5,926,906	A	7/1999 Bommer et al.
5,946,764	A	9/1999 Tworzylko
5,970,570	A	10/1999 Groninger
D418,103	S	12/1999 Don
6,000,093	A	12/1999 Charng
6,009,591	A	1/2000 Maubray
6,088,872	A	7/2000 Schmid et al.
6,108,857	A	8/2000 Lee
D443,854	S *	6/2001 De Block D12/219
6,279,191	B1	8/2001 Kotlarski et al.
6,292,974	B1	9/2001 Merkel et al.
6,295,690	B1	10/2001 Merkel et al.
6,311,364	B1	11/2001 Reo
6,314,608	B1	11/2001 Fisher et al.
6,338,178	B1	1/2002 Leu
6,343,401	B1	2/2002 Harashima
6,349,447	B1	2/2002 Zimmer
6,367,117	B1	4/2002 Sahara et al.
D457,479	S	5/2002 De Block et al.
6,449,797	B1	9/2002 De Block
D464,600	S	10/2002 Chen
6,499,179	B1	12/2002 Fink et al.
6,499,181	B1	12/2002 Kotlarski
6,523,217	B1	2/2003 Weiler et al.
6,523,218	B1	2/2003 Kotlarski
D474,143	S	5/2003 Ho
6,598,258	B2	7/2003 Lee
6,622,339	B1	9/2003 Zimmer
6,739,018	B1	5/2004 Jallet et al.
6,802,101	B2	10/2004 Egner-Walter
6,836,924	B2	1/2005 Egner-Walter
6,874,195	B2	4/2005 Kotlarski et al.
6,944,905	B2	9/2005 De Block et al.
D511,735	S *	11/2005 Aoyama et al. D12/219
D512,362	S	12/2005 Breesch et al.
7,007,339	B2	3/2006 Weiler et al.
7,028,368	B2	4/2006 Lee et al.
D524,223	S *	7/2006 Nakano et al. D12/219
7,137,167	B2	11/2006 Torii et al.
7,150,065	B2	12/2006 Zimmer
7,150,066	B1	12/2006 Huang
7,210,189	B2	5/2007 Nacamuli
7,228,588	B2	6/2007 Kraemer et al.
D549,151	S	8/2007 Janssis et al.
7,263,741	B2	9/2007 Genet et al.
D555,068	S *	11/2007 Kim D12/219
D556,115	S *	11/2007 Kim D12/219
D556,116	S *	11/2007 Kim D12/219
D556,117	S *	11/2007 Kim D12/219
D556,667	S *	12/2007 Kim D12/219
D568,801	S *	5/2008 Machida et al. D12/219
7,370,385	B2	5/2008 Chiang
7,373,688	B2	5/2008 Aoyama et al.
D571,705	S *	6/2008 Machida et al. D12/219
D579,849	S	11/2008 Garrastacho et al.
7,451,520	B2	11/2008 Weiler et al.
7,461,429	B2	12/2008 Huang
7,464,433	B2	12/2008 Thomar et al.
7,484,264	B2	2/2009 Kraemer et al.
7,526,832	B2	5/2009 Matsumoto et al.
7,540,061	B1	6/2009 Huang
7,540,062	B1	6/2009 Huang
D596,102	S	7/2009 Kim
D596,103	S	7/2009 Kim
7,587,783	B1	9/2009 Lin
7,603,742	B2	10/2009 Nakano et al.
D606,479	S	12/2009 Kim
7,636,980	B2	12/2009 Nakano
7,646,433	B2	1/2010 Chen et al.

7,681,277	B2	3/2010 Park
7,690,074	B2	4/2010 Ostrowski
7,698,775	B2	4/2010 Lee
7,712,180	B2	5/2010 Hoshino et al.
D618,609	S	6/2010 Chiang
7,757,337	B2	7/2010 Harita et al.
D621,322	S	8/2010 Lee et al.
7,802,341	B2	9/2010 Cempura et al.
7,810,205	B2	10/2010 Park
7,810,206	B2	10/2010 Weiler et al.
7,827,652	B2	11/2010 Yang et al.
7,832,047	B2	11/2010 Herinckx et al.
7,845,044	B2	12/2010 Park
2007/0226941	A1	10/2007 Kraemer et al.
2010/0242204	A1	9/2010 Chien

FOREIGN PATENT DOCUMENTS		
CN	3361599	4/2004
CN	201012676	1/2008
CZ	20020197	5/2002
EM	000092408-0001	2/2004
EM	000099619-0001	2/2004
EM	000393756-0001	11/2005
EM	000393756-0002	11/2005
EM	000393756-0003	11/2005
EM	000393756-0004	11/2005
EM	000393756-0005	11/2005
EM	000393756-0006	11/2005
EM	000393756-0007	11/2005
EM	000507462-0002	5/2006
EM	000571047-0001	7/2006
EM	000648381-0002	2/2007
EM	000652664-0001	2/2007
EM	000652664-0003	2/2007
EM	000652664-0004	2/2007
EM	000652664-0005	2/2007
EM	000685045-0001	4/2007
EM	000720347-0001	6/2007
EM	000852454-0002	1/2008
EM	000821442-0001	2/2008
EM	000872478-0001	2/2008
EM	000872478-0002	2/2008
EM	000889084-0002	4/2008
EM	000901558-0001	4/2008
EM	000901558-0002	4/2008
EM	000905427-0001	4/2008
EM	000936265-0001	6/2008
EM	000965033-0001	7/2008
EM	001007058-0003	10/2008
EM	001007058-0004	10/2008
EM	001137384-0001	6/2009
EM	001137384-0002	6/2009
EM	001569716-0001	7/2009
EM	001611013-0001	10/2009
EM	001611013-0002	10/2009
EM	001639055-0001	11/2009
EM	000943725-0003	2/2010
EM	001739699-0001	8/2010
EM	001739699-0002	8/2010
EM	001739699-0003	8/2010
EP	0226013 A2	6/1987
EP	0519826 A1	12/1992
EP	0723899 A1	7/1996
EP	1571057 A1	9/2005
EP	2233375 A1	9/2010
FR	2869279 A1	10/2005
GB	877354 A	9/1961
GB	880671 A	10/1961
GB	1028830 A	5/1966
GB	1188729 A	4/1970
GB	1262402 A	2/1972
GB	1282212 A	7/1972
GB	1356322 A	6/1974
JP	0597252	3/1983
JP	0708633	7/1987
JP	0748569	11/1988
JP	0790576	6/1990
JP	0804910	1/1991
JP	0814810	7/1991

US D685,712 S

Page 3

JP	0823760	12/1991	JP	1344046	11/2008
JP	0949495	3/1996	JP	1365893	7/2009
JP	0949504	3/1996	JP	1283709	9/2009
JP	1023415	10/1998	JP	1284057	9/2009
JP	1084172	9/2000	KR	557658	4/2010
JP	1087289	10/2000	WO	DM51483	11/1999
JP	1101602	2/2001	WO	DM51951	3/2000
JP	1101603	2/2001	WO	DM52538	4/2000
JP	1102199	2/2001	WO	DM52728	4/2000
JP	1131632	1/2002	WO	DM52789	6/2000
JP	1131640	1/2002	WO	DM52790	6/2000
JP	1169837	4/2003	WO	DM52976	8/2000
JP	1186631	10/2003	WO	DM53741	8/2000
JP	1228811	1/2005	WO	DM56638	7/2001
JP	1230220	2/2005	WO	DM58955	9/2001
JP	1230304	2/2005	WO	DM58308	10/2001
JP	1247015	8/2005	WO	DM59456	10/2001
JP	1247917	8/2005	WO	DM58997	2/2002
JP	1270538	5/2006	WO	DM59415	2/2002
JP	1270539	5/2006	WO	DM59606	2/2002
JP	1270900	5/2006	WO	DM59607	2/2002
JP	1282575	10/2006	WO	DM60445	2/2002
JP	1295946	3/2007	WO	DM59201	4/2002
JP	1295947	3/2007	WO	DM63299	3/2003
JP	3132450 A	6/2007	WO	DM63396	5/2003
JP	1312766	10/2007	WO	DM64867	1/2004
JP	3136957 A	11/2007	WO	DM64866	2/2004
JP	1337814	8/2008	WO	DM74119	8/2010
JP	1342112	10/2008			
JP	1342127	10/2008			

* cited by examiner

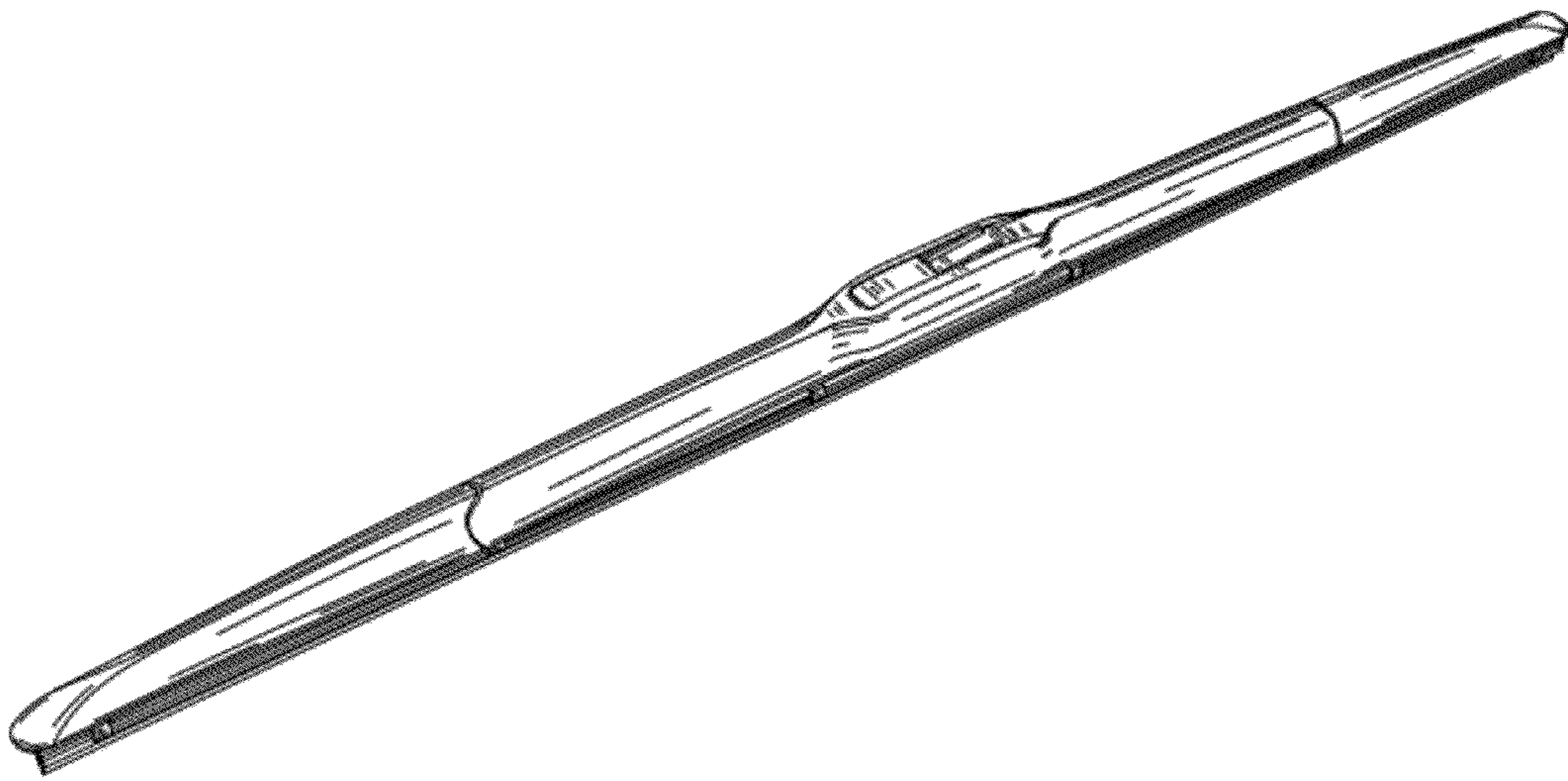


FIG. 1

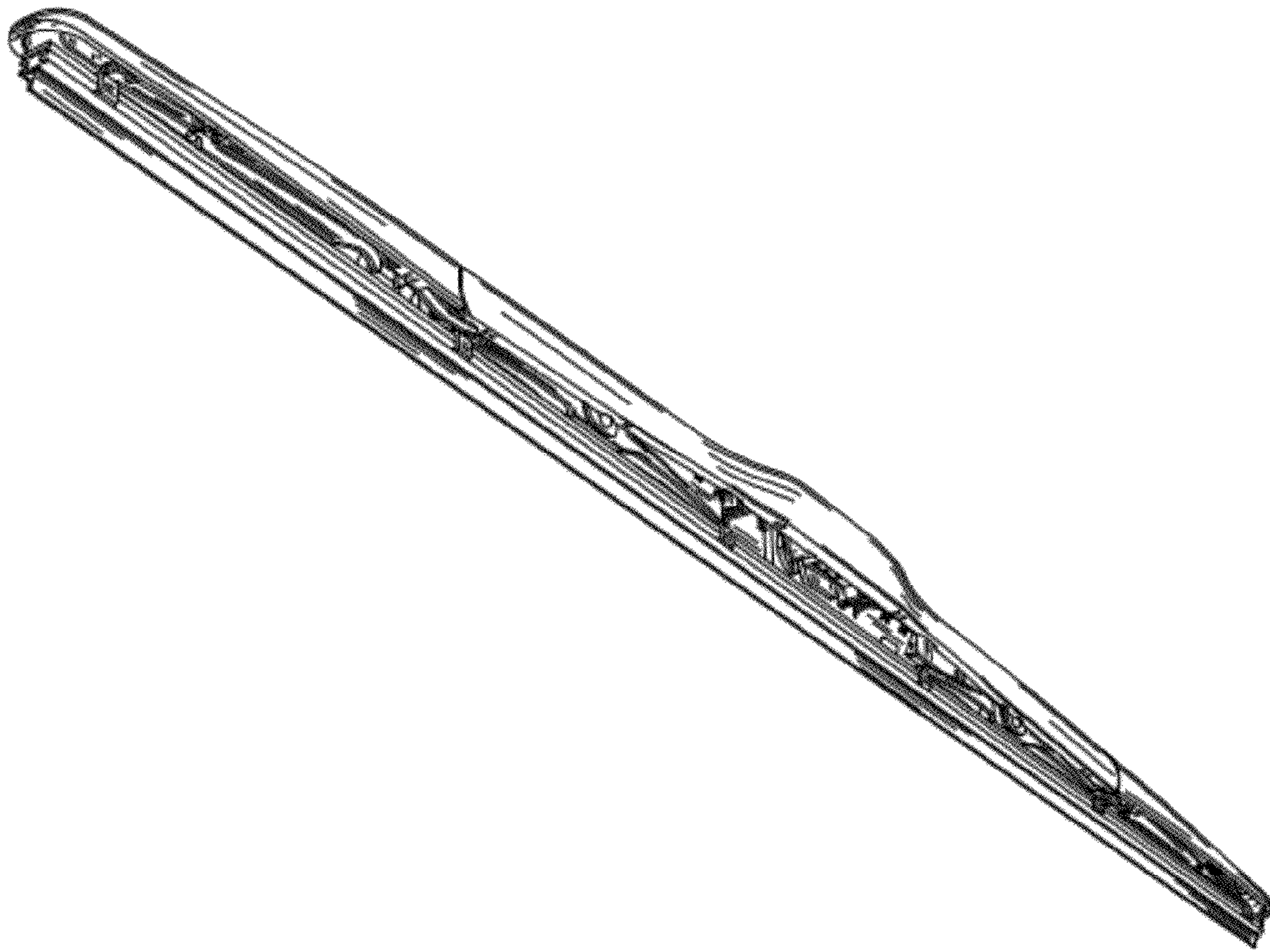


FIG. 2

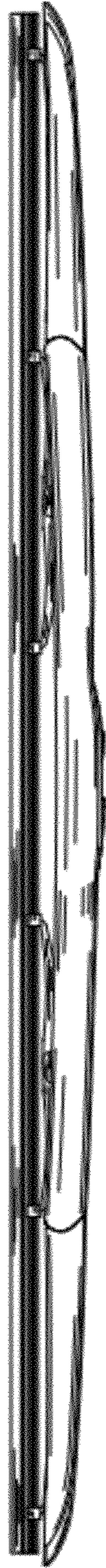


FIG. 3



FIG. 4

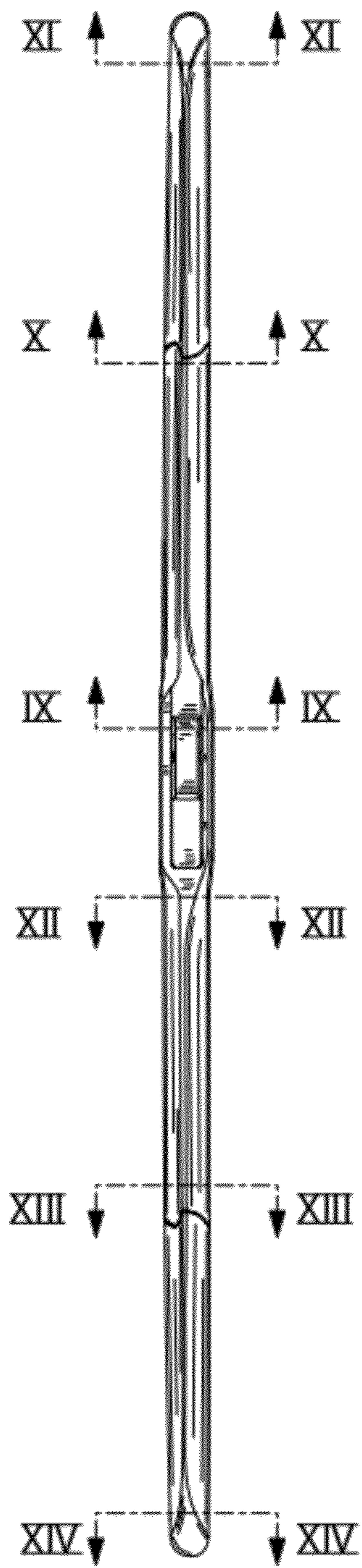


FIG. 5

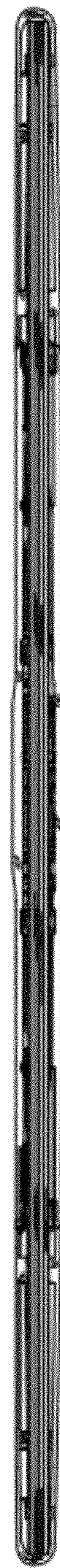


FIG. 6

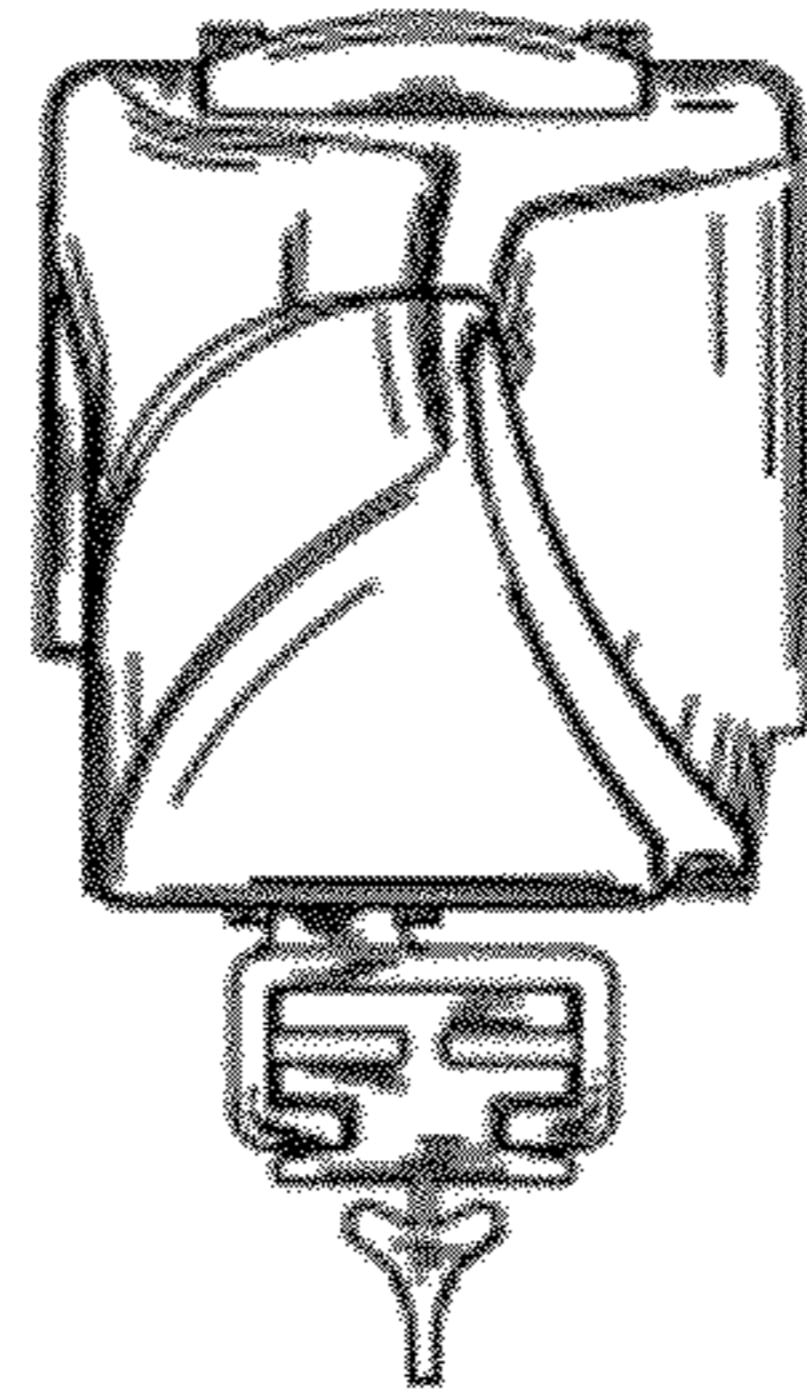


FIG. 7

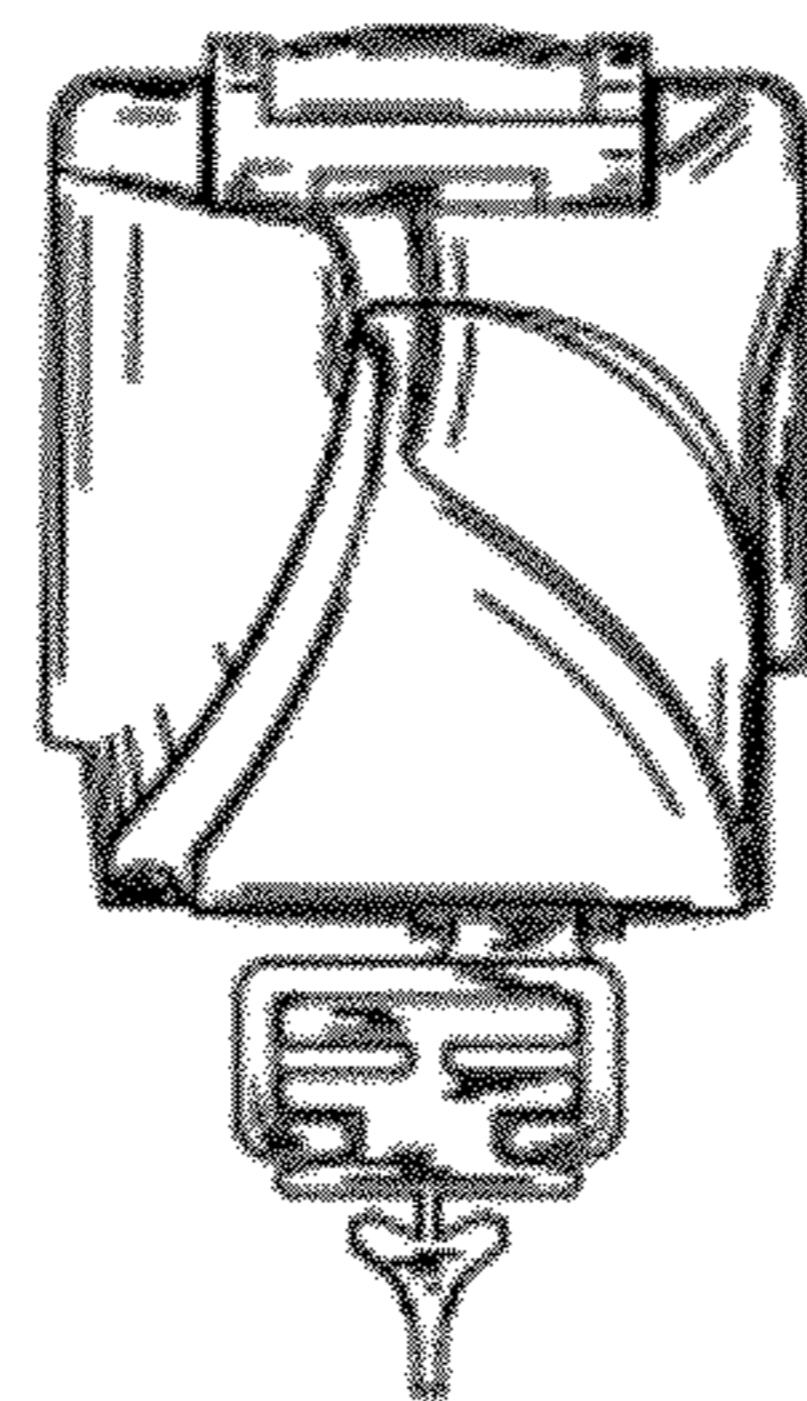


FIG. 8

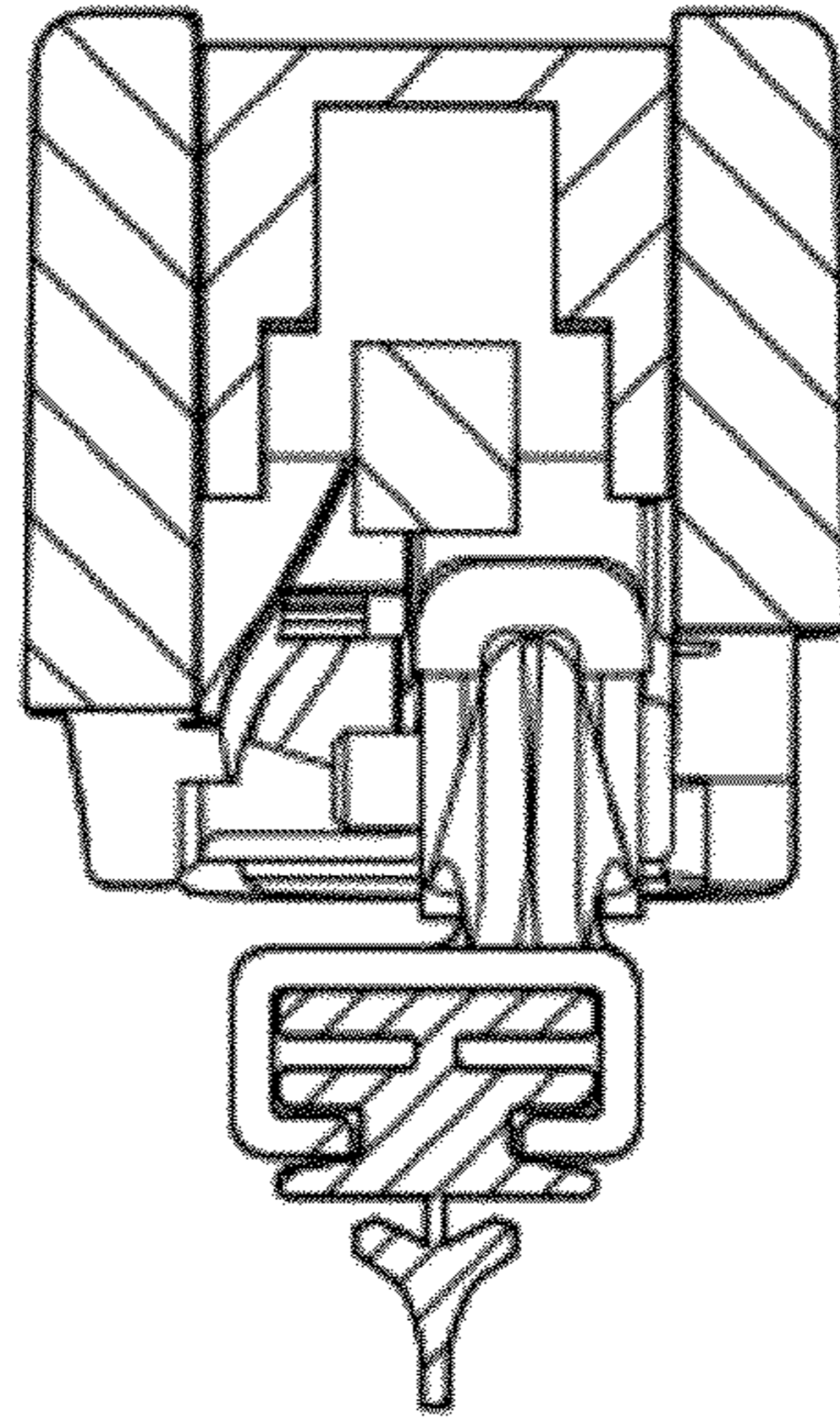


FIG. 9

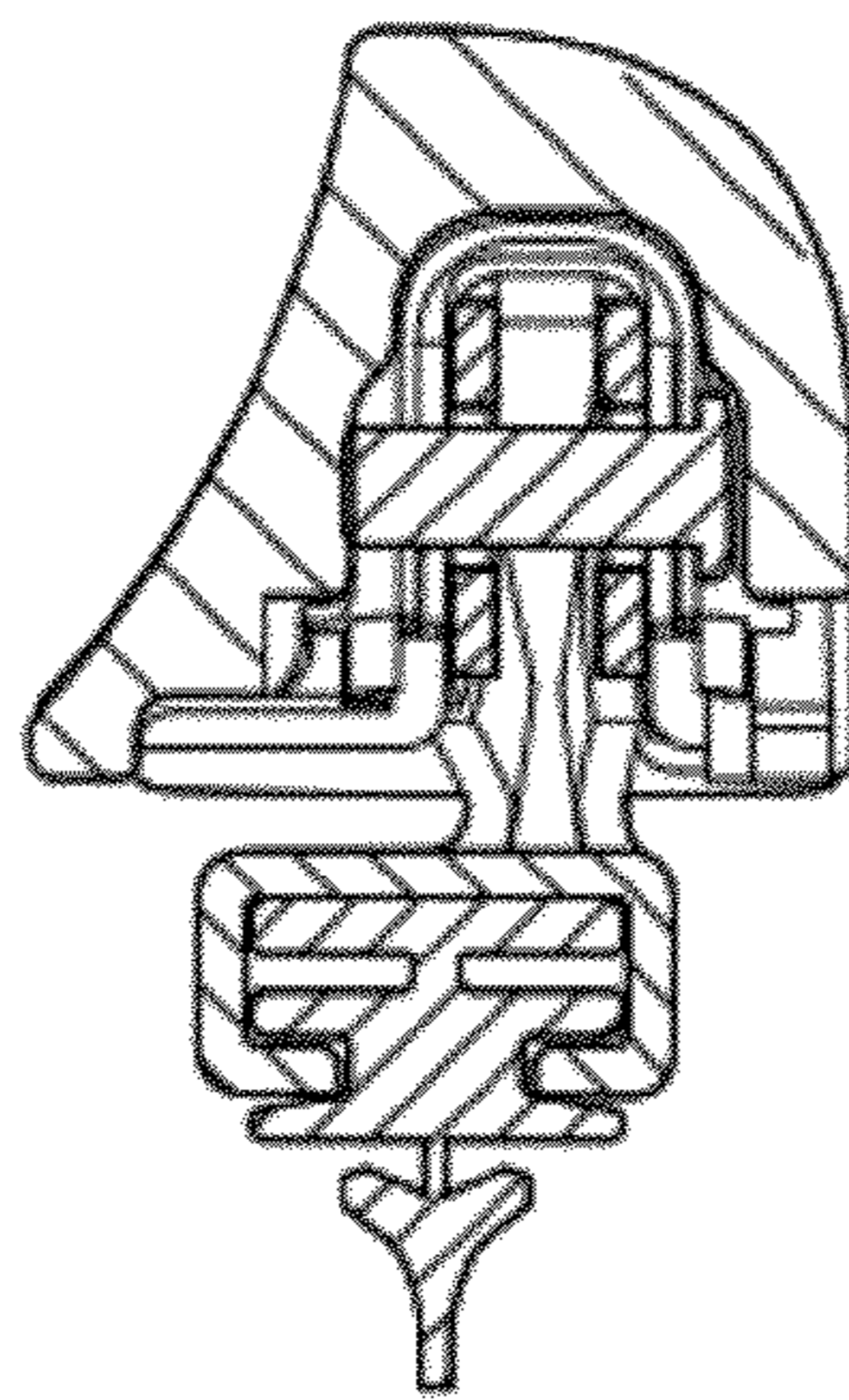


FIG. 10

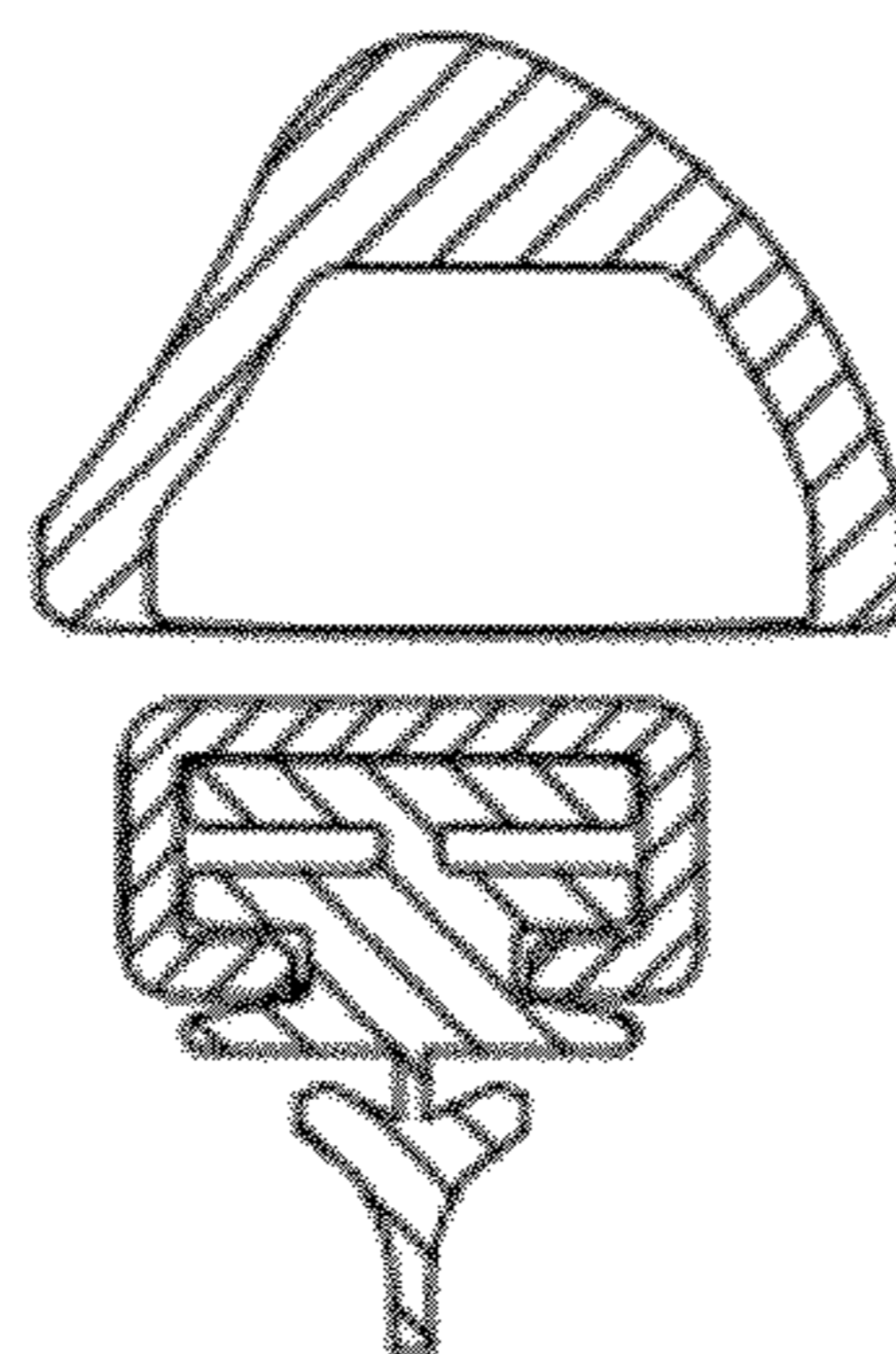


FIG. 11

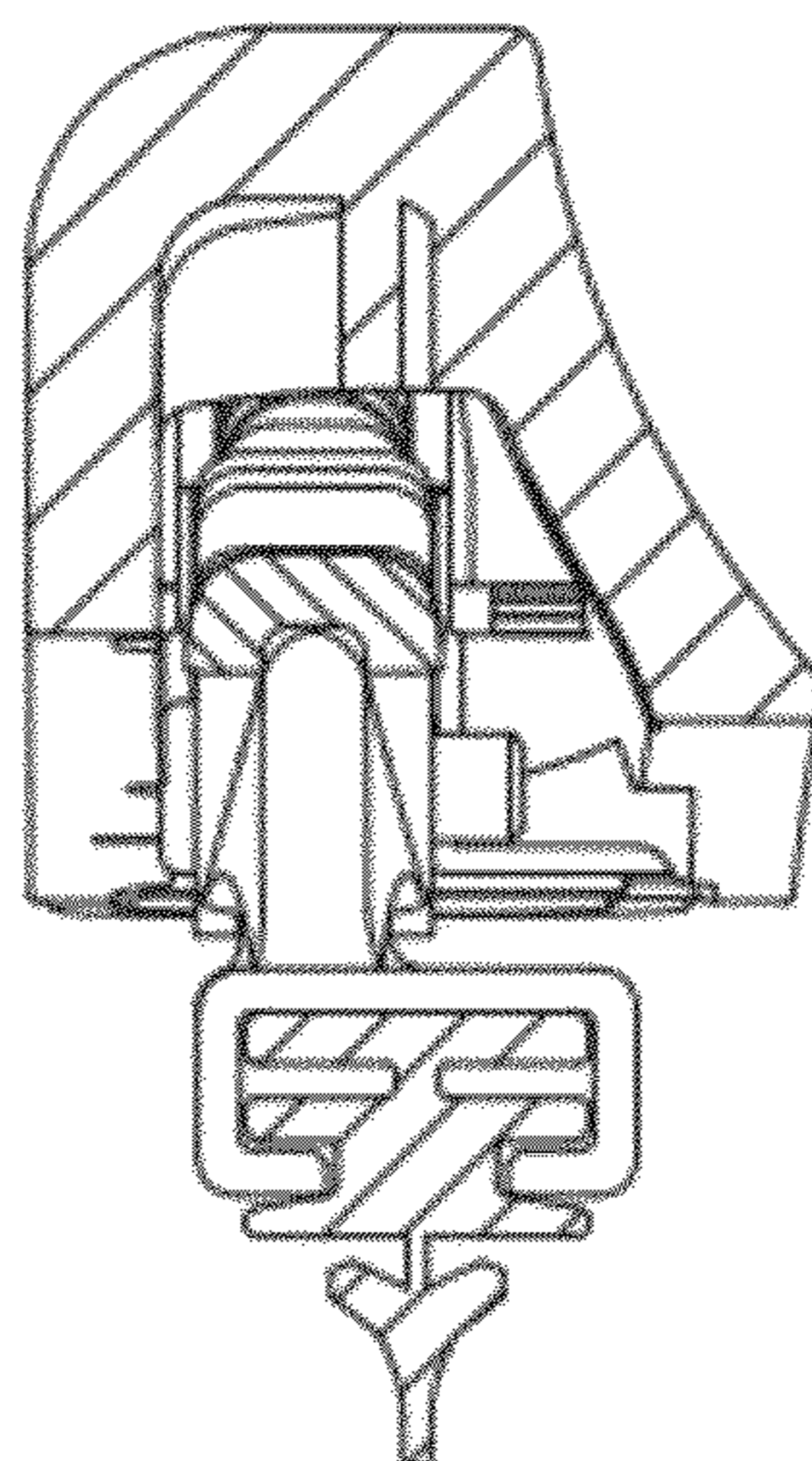


FIG. 12

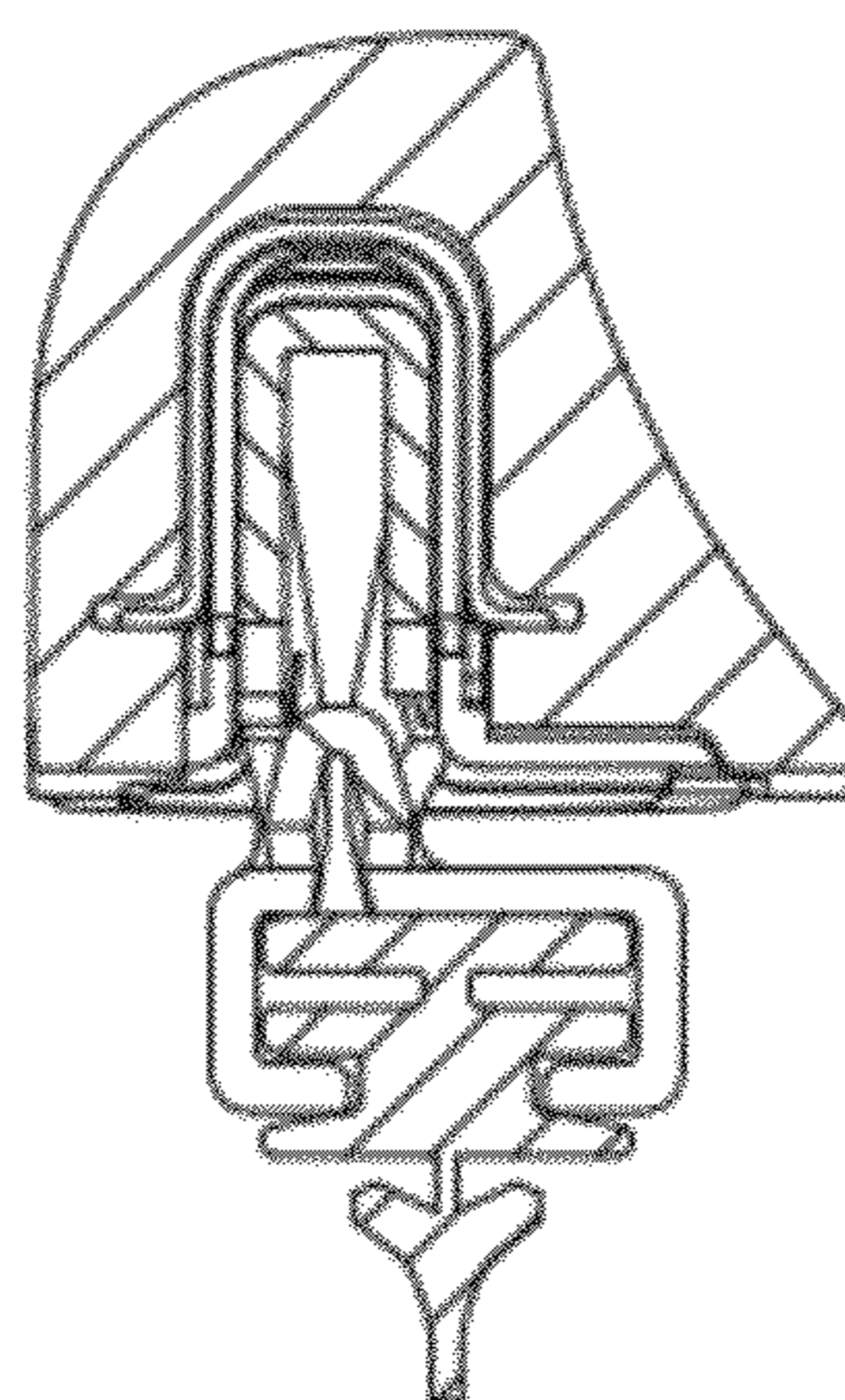


FIG. 13

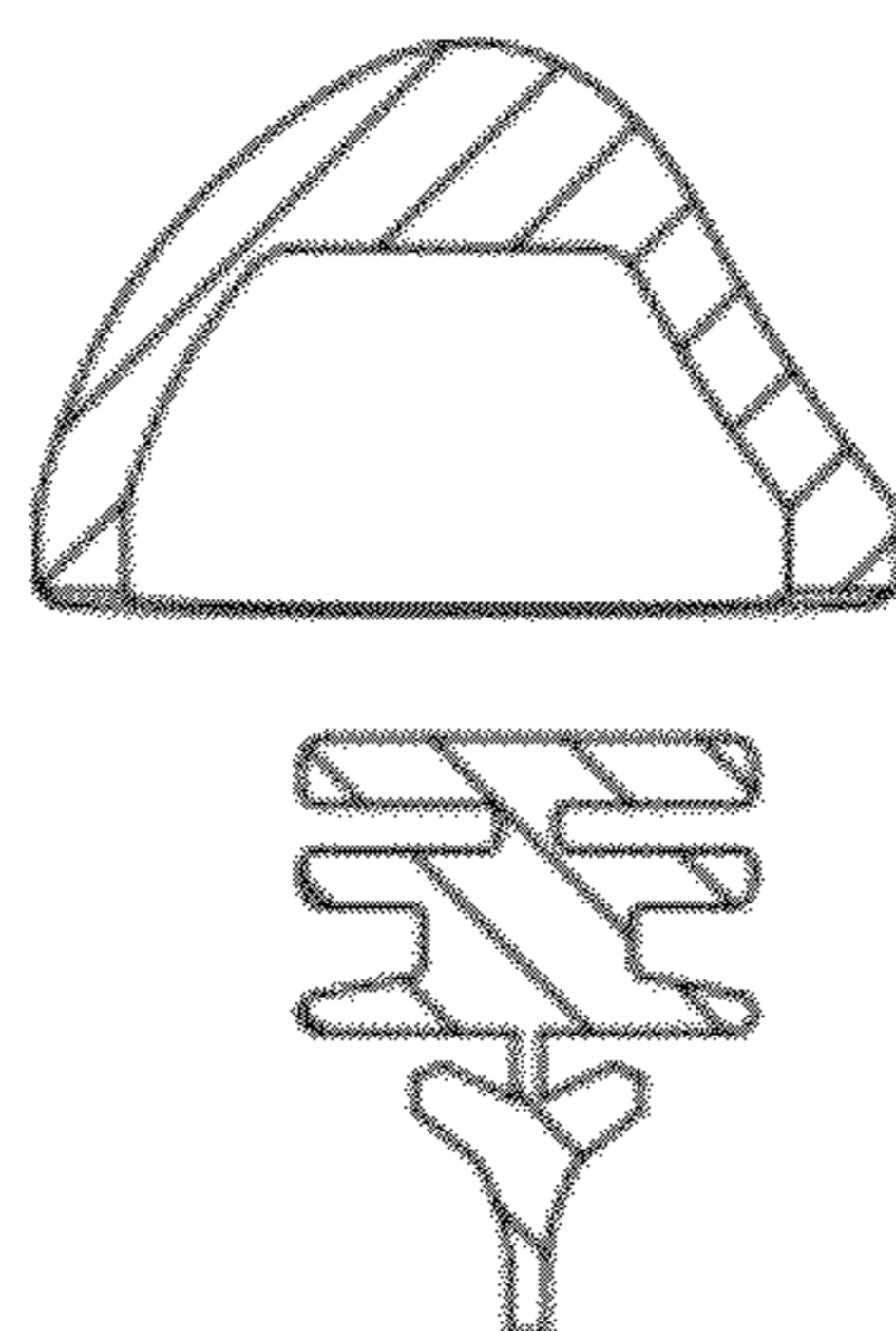


FIG. 14