



US00D685709S

(12) **United States Design Patent**  
**Hanaoka**

(10) **Patent No.:** **US D685,709 S**

(45) **Date of Patent:** **\*\* Jul. 9, 2013**

(54) **WHEEL FOR AUTOMOBILES**

(71) Applicant: **Honda Motor Co., Ltd.**, Tokyo (JP)

(72) Inventor: **Hisakazu Hanaoka**, Wako (JP)

(73) Assignee: **Honda Motor Co., Ltd.**, Tokyo (JP)

(\*\*) Term: **14 Years**

(21) Appl. No.: **29/438,591**

(22) Filed: **Nov. 30, 2012**

(30) **Foreign Application Priority Data**

May 31, 2012 (JP) ..... 2012-012938

(51) **LOC (9) Cl.** ..... **12-16**

(52) **U.S. Cl.**  
USPC ..... **D12/209**

(58) **Field of Classification Search**  
USPC ..... D12/204-213; 301/37.101, 64.101,  
301/65, 64.201

See application file for complete search history.

(56) **References Cited**

U.S. PATENT DOCUMENTS

D390,822 S *	2/1998	Neeper	.....	D12/209
D396,444 S *	7/1998	Neeper	.....	D12/209
D400,154 S *	10/1998	Noriega	.....	D12/209
D430,842 S *	9/2000	Chinellato	.....	D12/209
D435,004 S *	12/2000	Noriega	.....	D12/209
D669,833 S *	10/2012	Pollmann	.....	D12/209
D671,475 S *	11/2012	Juergens et al.	.....	D12/209

\* cited by examiner

*Primary Examiner* — Stacia Cadmus

(74) *Attorney, Agent, or Firm* — Plumsea Law Group, LLC

(57) **CLAIM**

The ornamental design for a wheel for automobiles, as shown and described.

**DESCRIPTION**

FIG. 1 is a front view of the wheel for automobiles; and, FIG. 2 is a front perspective view of the wheel for automobiles as seen from the left side.

The broken lines are for illustrative purposes only and form no part of the claimed design.

**1 Claim, 2 Drawing Sheets**

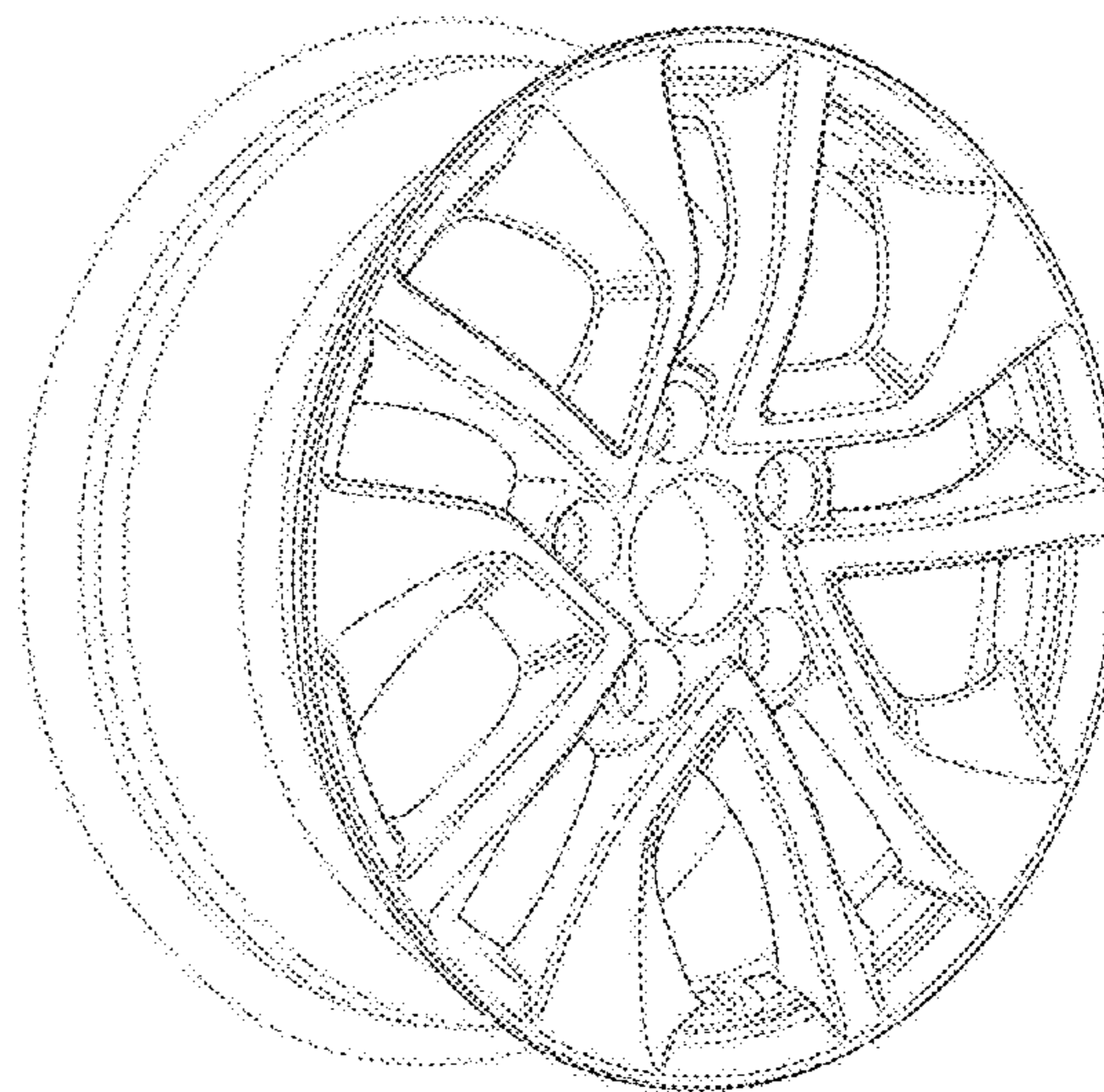
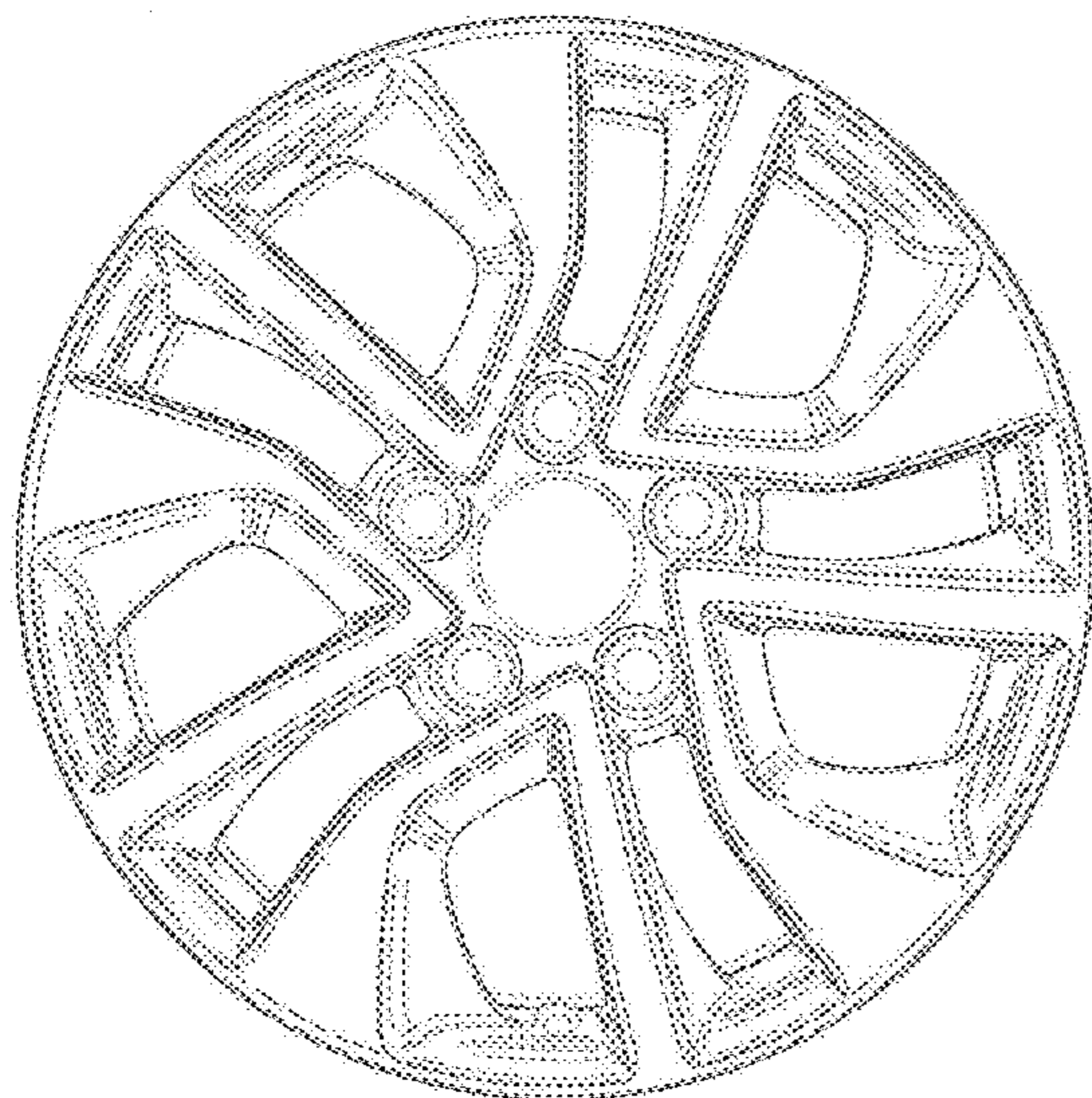


FIG.1

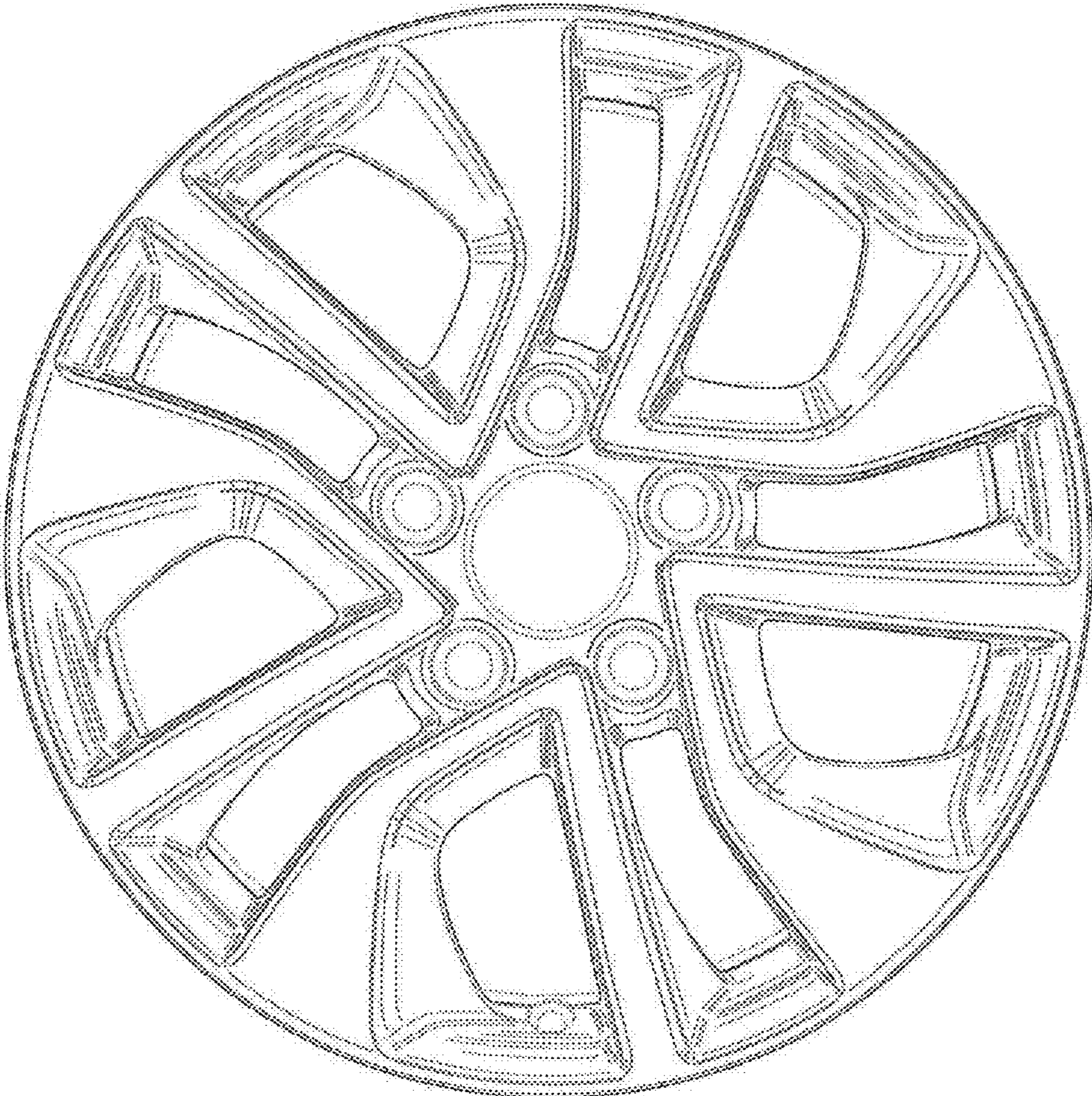




FIG.2

