



US00D685705S

(12) **United States Design Patent**  
**Munson et al.**

(10) **Patent No.:** **US D685,705 S**

(45) **Date of Patent:** **\*\* Jul. 9, 2013**

(54) **VEHICLE FRONT FENDER**

(75) Inventors: **Robert J. Munson**, Rochester Hills, MI  
(US); **U Yong Choi**, Bloomfield  
Township, MI (US)

(73) Assignee: **GM Global Technology Operations  
LLC**, Detroit, MI (US)

(\*\*) Term: **14 Years**

(21) Appl. No.: **29/409,582**

(22) Filed: **Dec. 26, 2011**

(51) **LOC (9) Cl.** ..... **12-16**

(52) **U.S. Cl.**  
USPC ..... **D12/184**

(58) **Field of Classification Search**  
USPC ..... D12/184, 196, 90-92, 181; 280/152.1,  
280/847-849, 851; 296/181.1, 181.5  
See application file for complete search history.

(56) **References Cited**

U.S. PATENT DOCUMENTS

D607,797	S	*	1/2010	Walter et al.	.....	D12/184
D609,150	S	*	2/2010	Kruger et al.	.....	D12/184
D615,013	S	*	5/2010	Lamm et al.	.....	D12/181
D665,319	S	*	8/2012	Huet	.....	D12/184
D669,405	S	*	10/2012	Gifford	.....	D12/184

\* cited by examiner

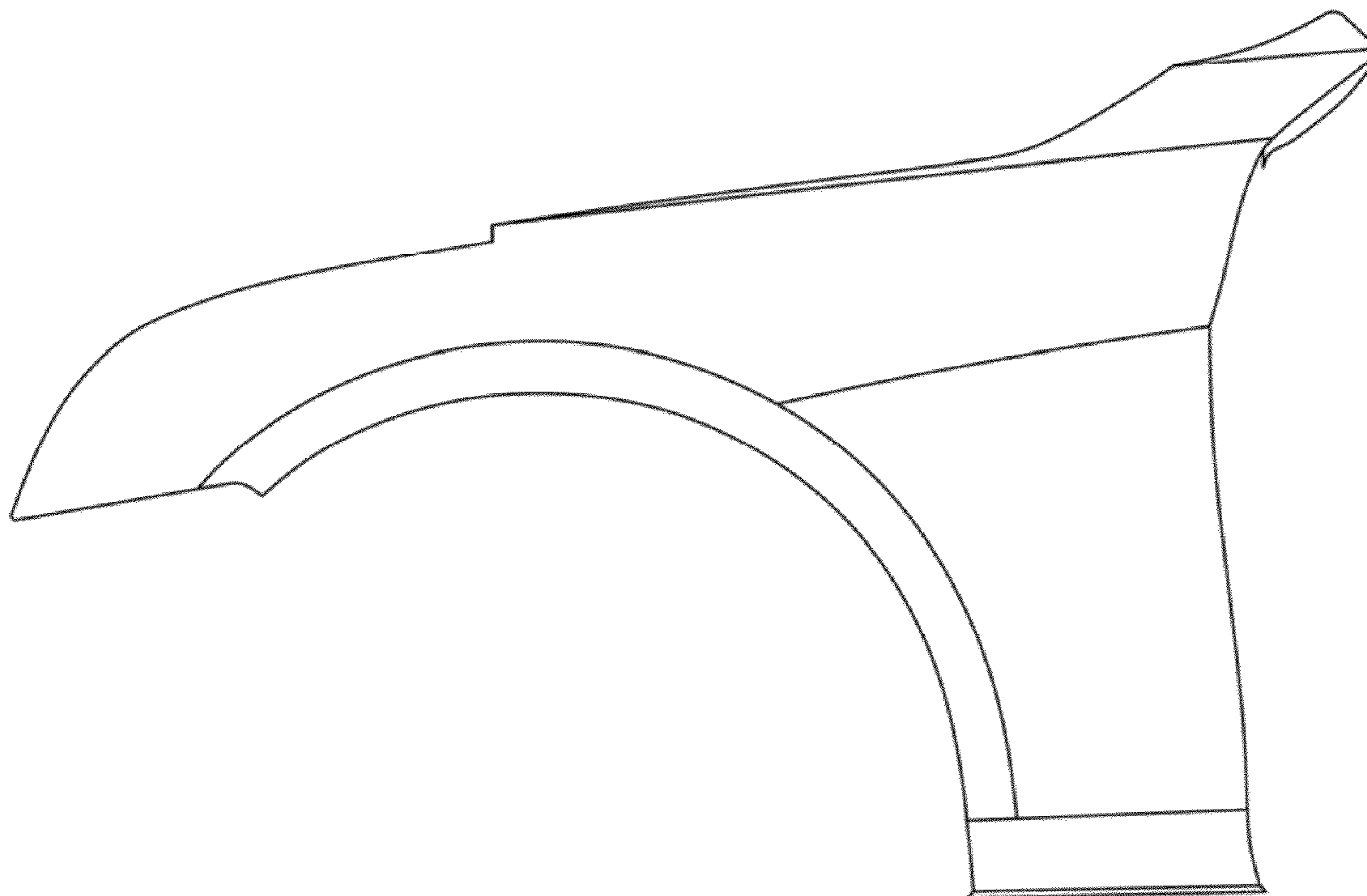
*Primary Examiner* — Melody Brown  
(74) *Attorney, Agent, or Firm* — Parks IP Law LLC; Mickki  
D. Murray

(57) **CLAIM**  
The ornamental design for a vehicle front fender, as shown  
and described.

**DESCRIPTION**

FIG. 1 is perspective view of a vehicle front fender showing  
the new design;  
FIG. 2 is a front view, thereof;  
FIG. 3 is a side view, thereof; and,  
FIG. 4 is a top view, thereof.

**1 Claim, 1 Drawing Sheet**



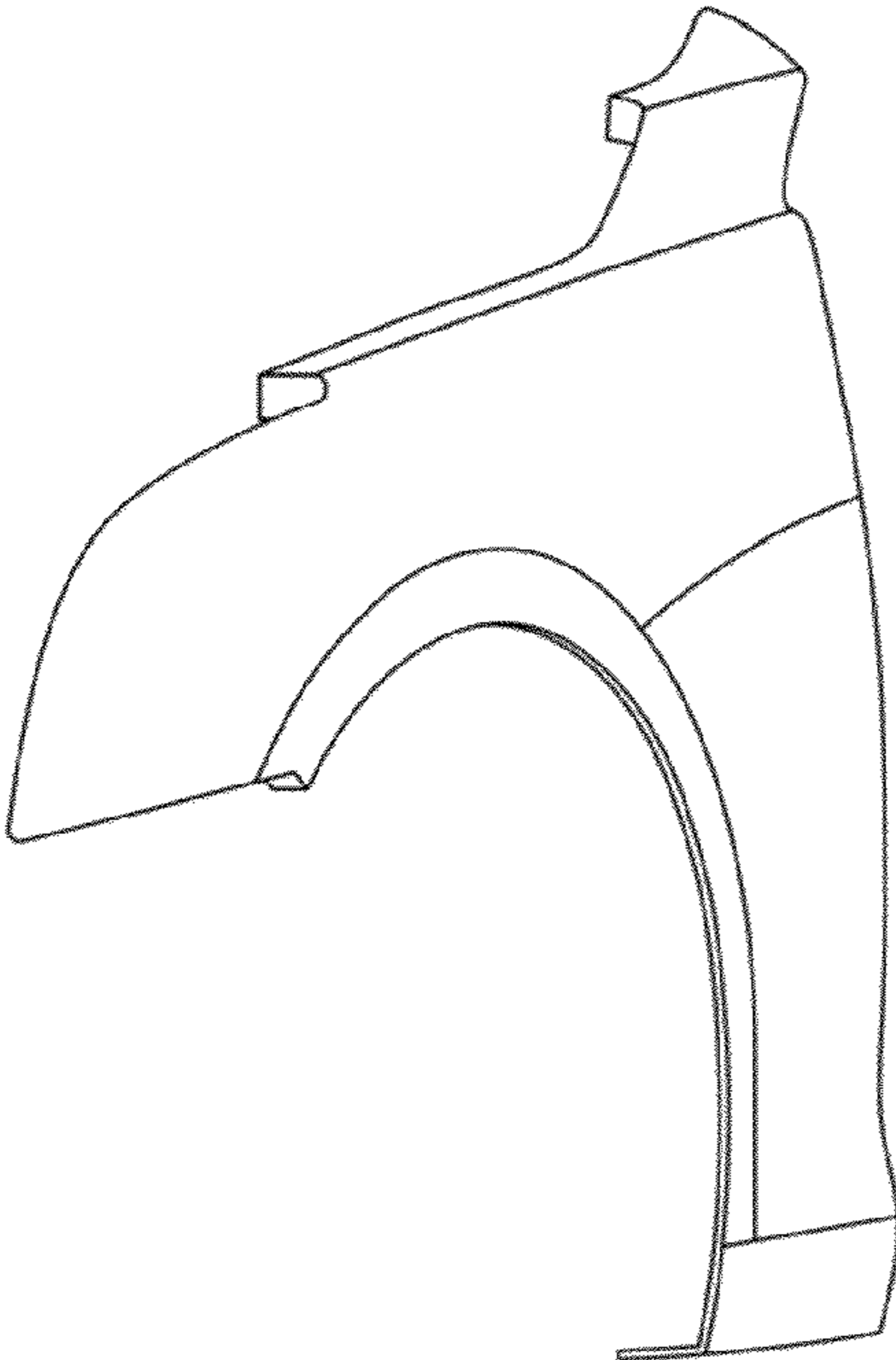


Fig-1

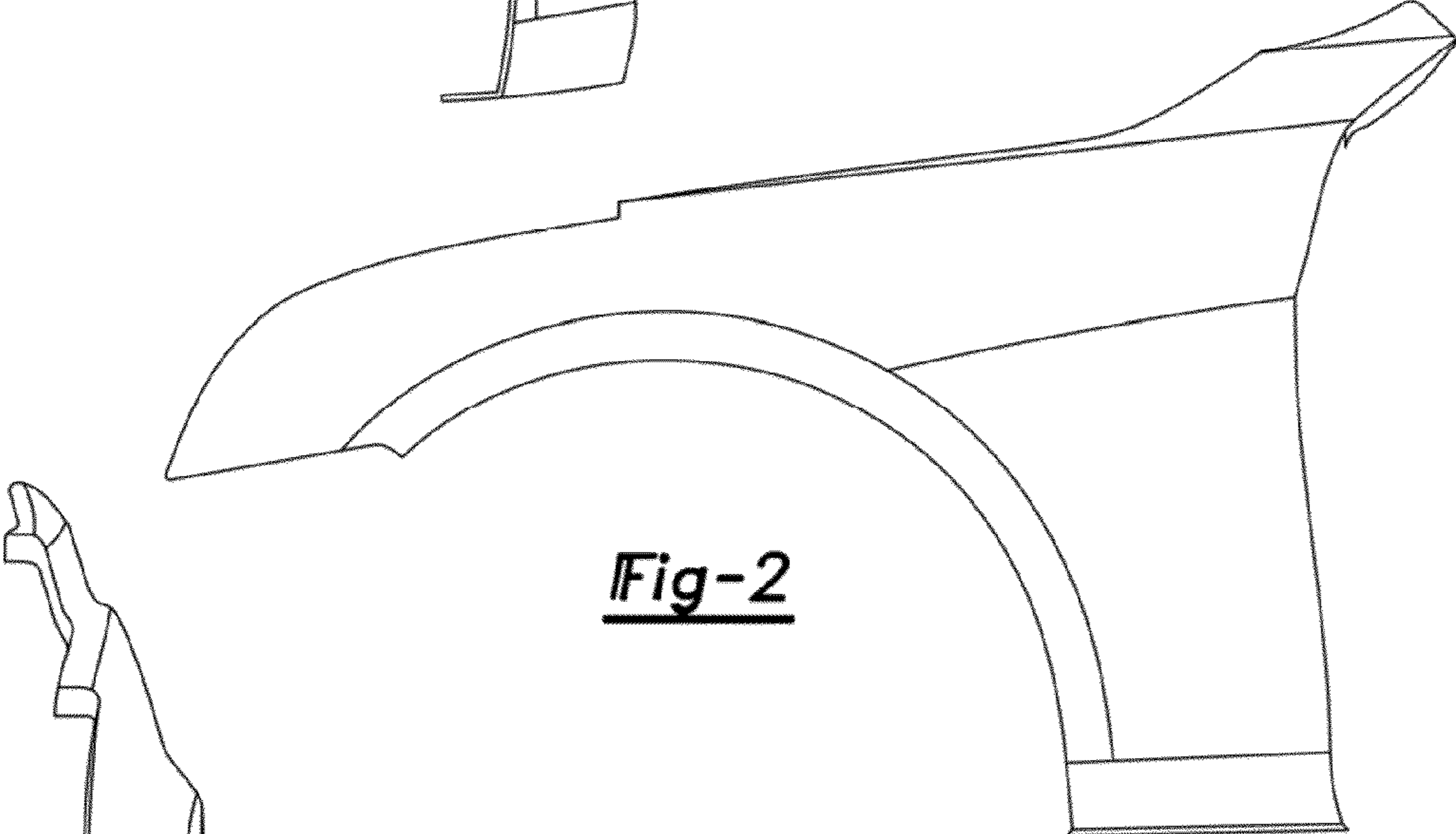


Fig-2

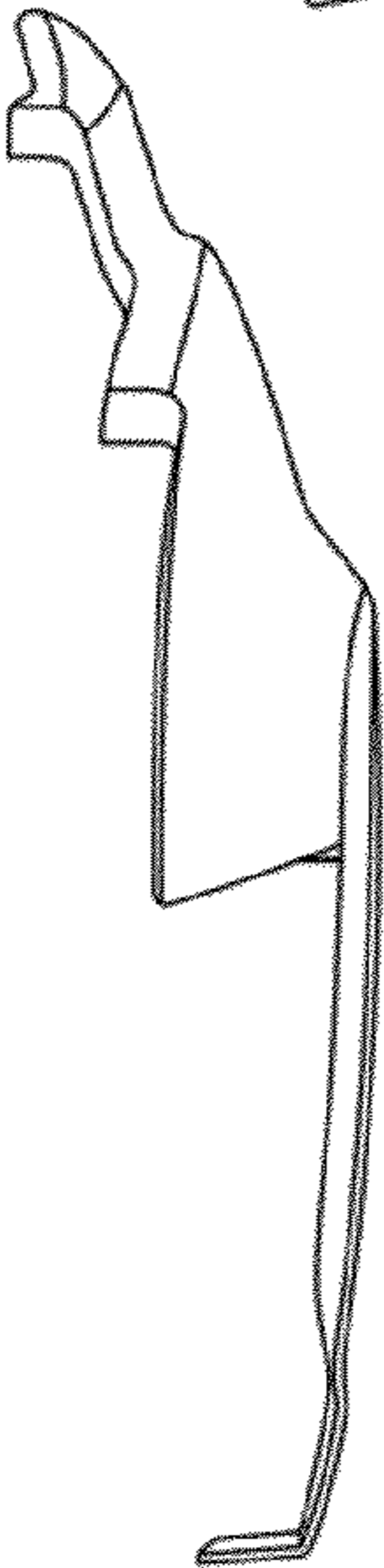


Fig-3



Fig-4