



US00D685702S

(12) **United States Design Patent**
Ujimoto

(10) **Patent No.:** **US D685,702 S**
(45) **Date of Patent:** **** Jul. 9, 2013**

(54) **SHIFT LEVER UNIT WITH A TRANSLUCENT
PANEL CAPABLE OF BEING ILLUMINATED**

(75) Inventor: **Takushi Ujimoto**, Fuchu-cho (JP)

(73) Assignee: **Delta Kogyo Co., Ltd.** (JP)

(**) Term: **14 Years**

(21) Appl. No.: **29/427,804**

(22) Filed: **Jul. 23, 2012**

(30) **Foreign Application Priority Data**

Jan. 31, 2012 (JP) D2012-001845

(51) **LOC (9) Cl.** **12-16**

(52) **U.S. Cl.**
USPC **D12/179**

(58) **Field of Classification Search**
USPC D12/174, 179, 415, 419; 74/473.12,
74/473.18, 473.23, 473.33, 473.3, 483 R,
74/489, 514, 523
See application file for complete search history.

(56) **References Cited**

U.S. PATENT DOCUMENTS

D384,926 S * 10/1997 Wallace D12/179
D418,787 S * 1/2000 Sacco et al. D12/179
6,082,286 A * 7/2000 Kovach et al. 116/28.1
D429,685 S * 8/2000 Rueckert et al. D12/415
6,192,770 B1 * 2/2001 Miyoshi et al. 74/473.18
D440,917 S * 4/2001 Pfeiffer D12/179
6,318,925 B1 * 11/2001 Bowers et al. 403/325
D471,139 S * 3/2003 Wyszogrod et al. D12/179
D520,923 S * 5/2006 Seidel et al. D12/179
7,484,433 B2 * 2/2009 Arakawa et al. 74/566
D606,467 S * 12/2009 Ballard et al. D12/179

FOREIGN PATENT DOCUMENTS

JP 62245420 A * 10/1987
JP 63079116 A * 4/1988
JP 11078581 A * 3/1999
JP D1089531 10/2000
JP 2002205569 A * 7/2002
JP D1172011 4/2003
JP D1264453 3/2006
JP 2007-307950 11/2007
JP D1352683 3/2009

* cited by examiner

Primary Examiner — Philip S Hyder

Assistant Examiner — Darlington Ly

(74) *Attorney, Agent, or Firm* — Gerald E. Hespos; Michael J. Porco; Matthew T. Hespos

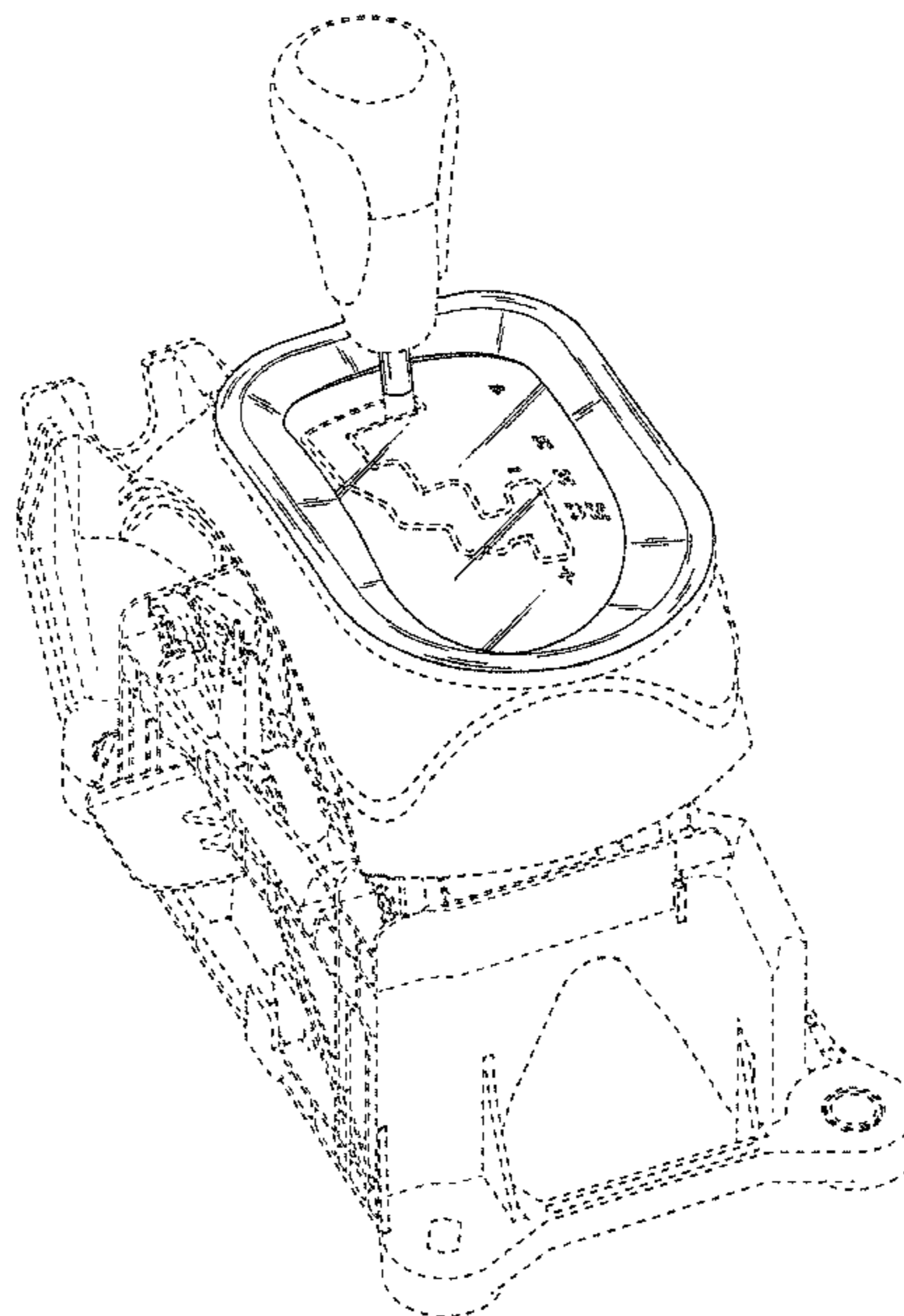
(57) **CLAIM**

The ornamental design for a shift lever unit with a translucent panel capable of being illuminated, as shown and described.

DESCRIPTION

FIG. 1 is a perspective view of a shift lever unit with a translucent panel capable of being illuminated;
FIG. 2 is a front view thereof;
FIG. 3 is a rear view thereof;
FIG. 4 is a left side view thereof;
FIG. 5 is a right side view thereof;
FIG. 6 is a top view thereof;
FIG. 7 is an enlarged cross-sectional view taken along line 7-7 in FIG. 6; and,
FIG. 8 is a perspective view similar to FIG. 1, but showing the translucent panel illuminated.
The broken lines showing the support for the shift lever unit and operative parts of the transmission in FIGS. 1-8 are included for the purpose of showing environmental structure and form no part of the claimed design.

1 Claim, 8 Drawing Sheets



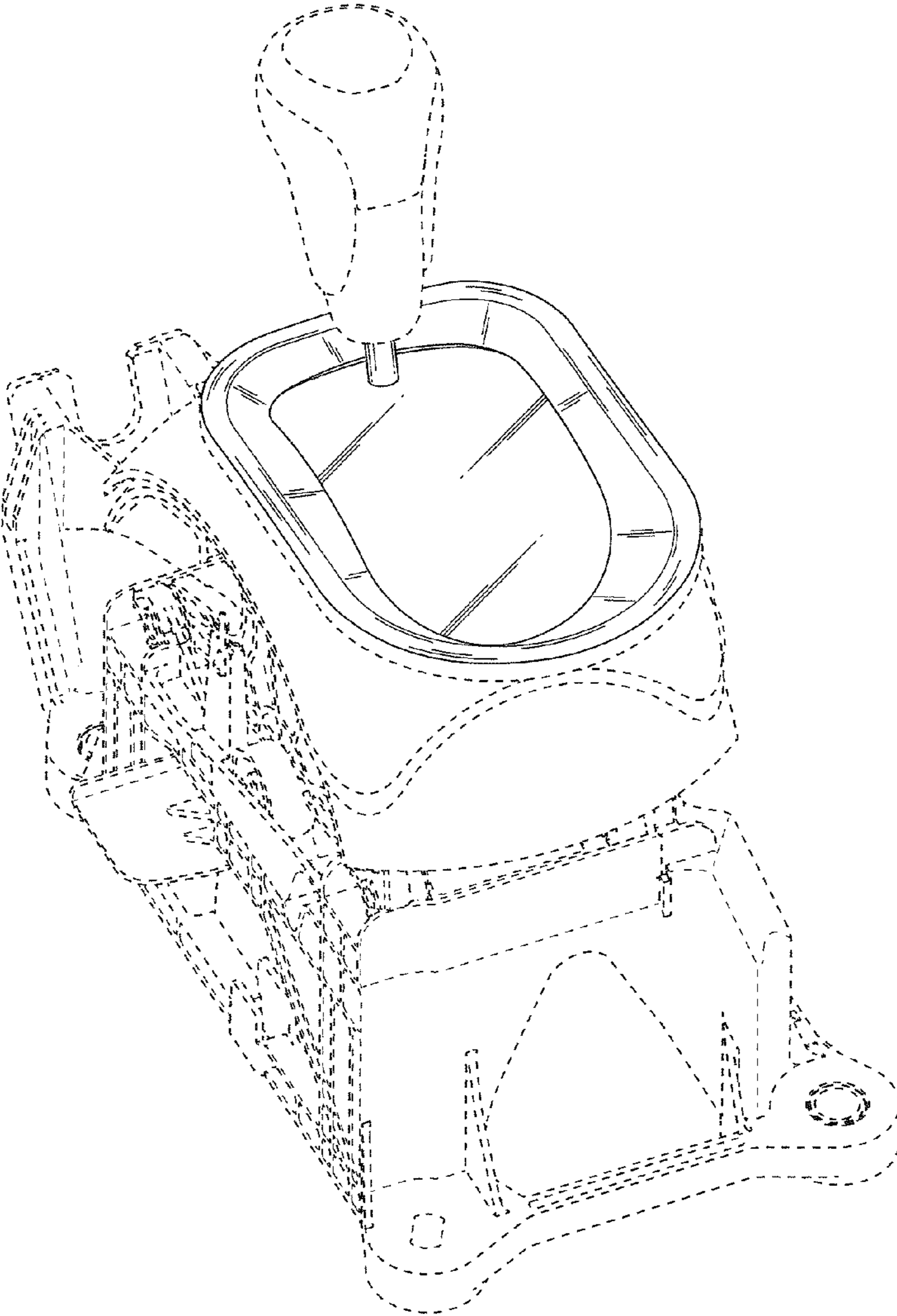


FIG. 1

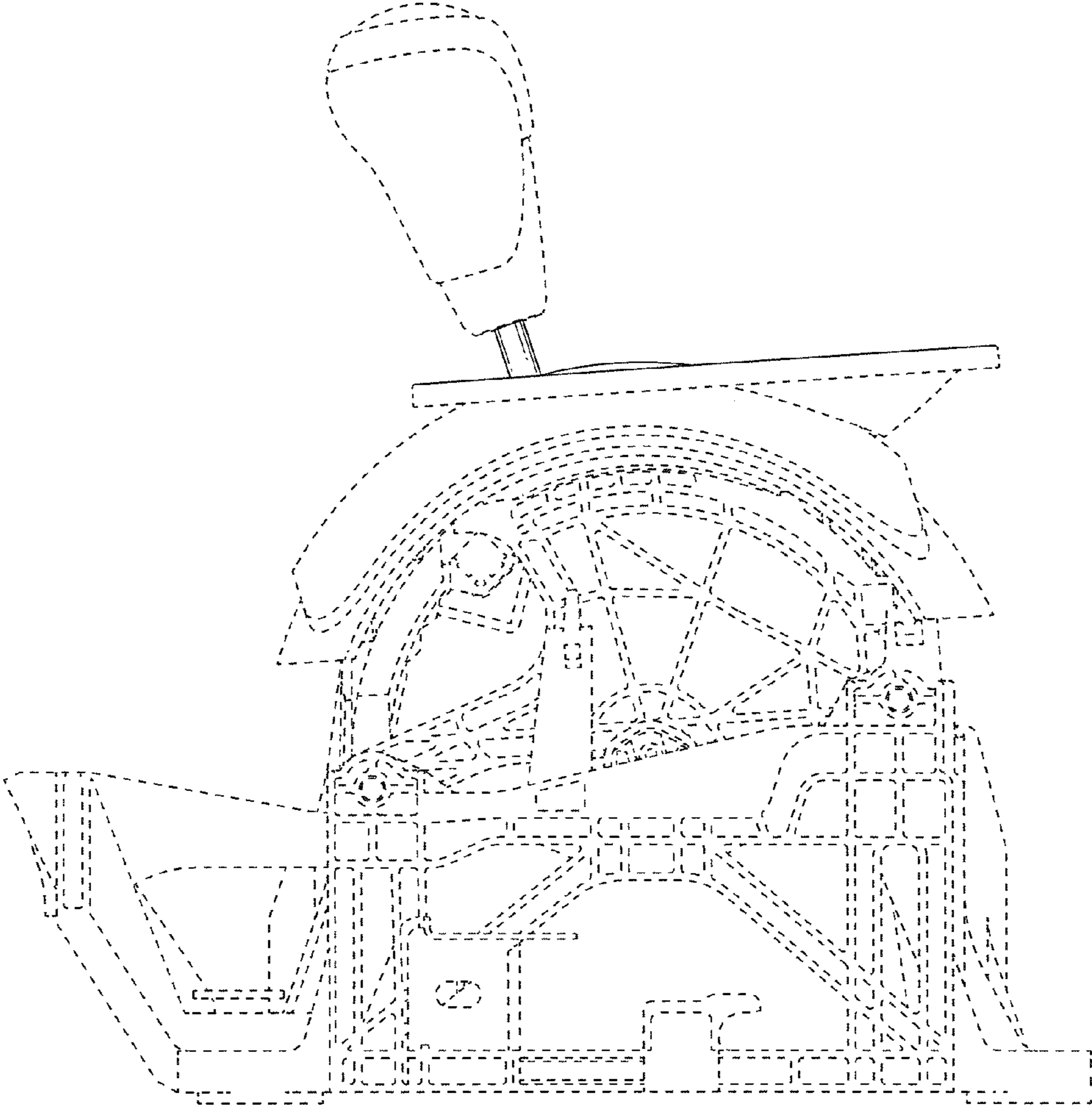


FIG.2

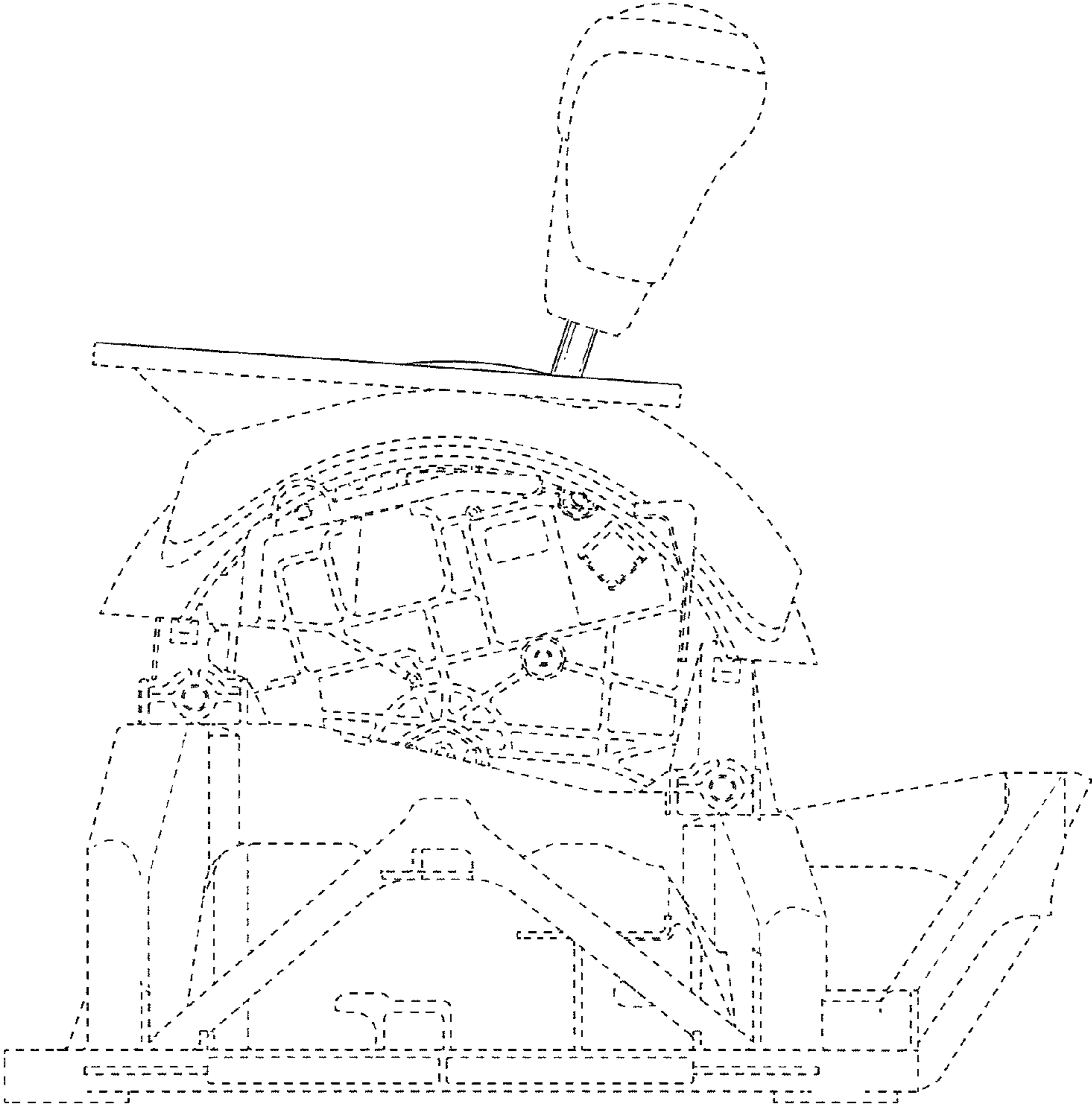


FIG.3

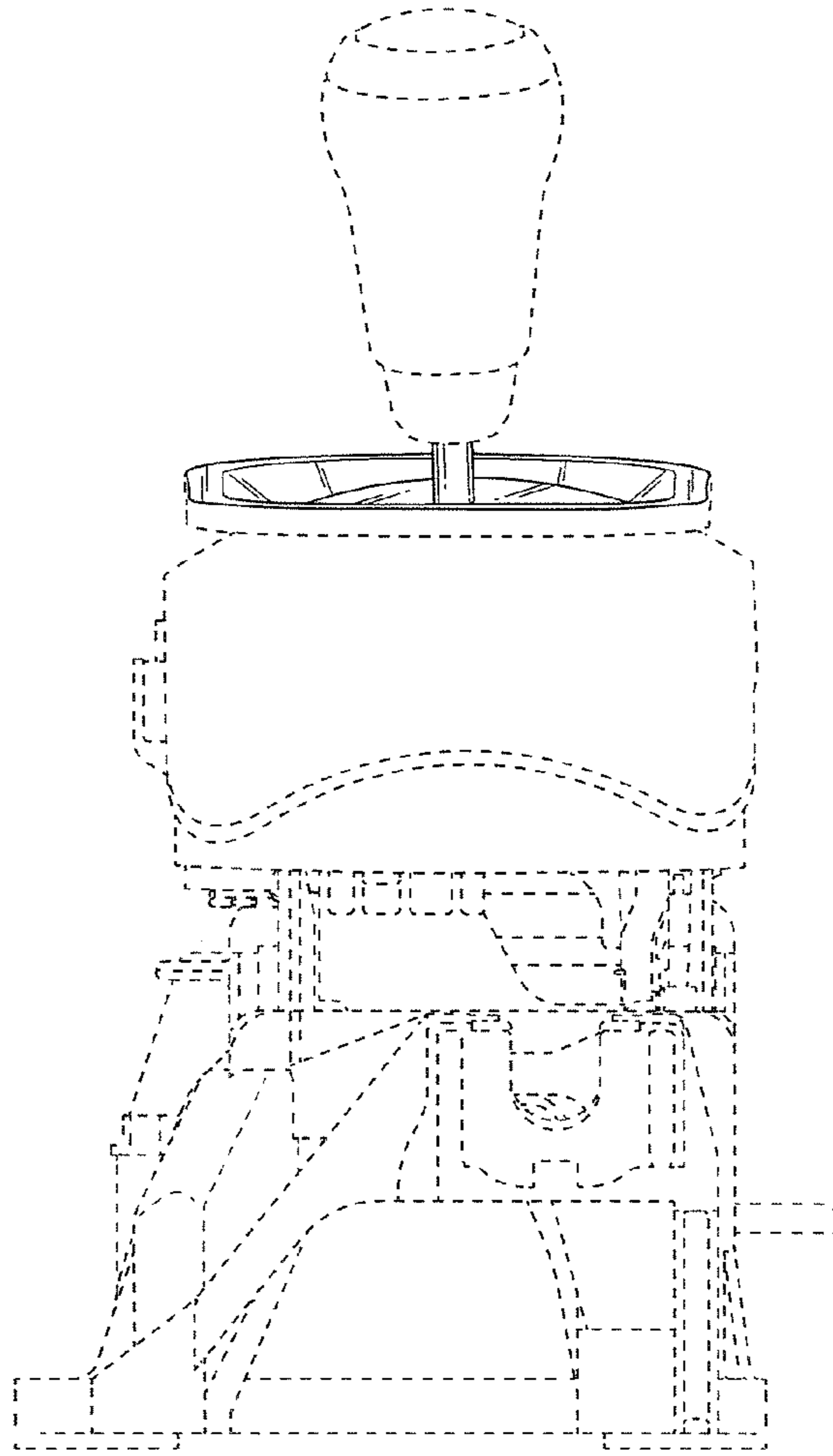


FIG.4

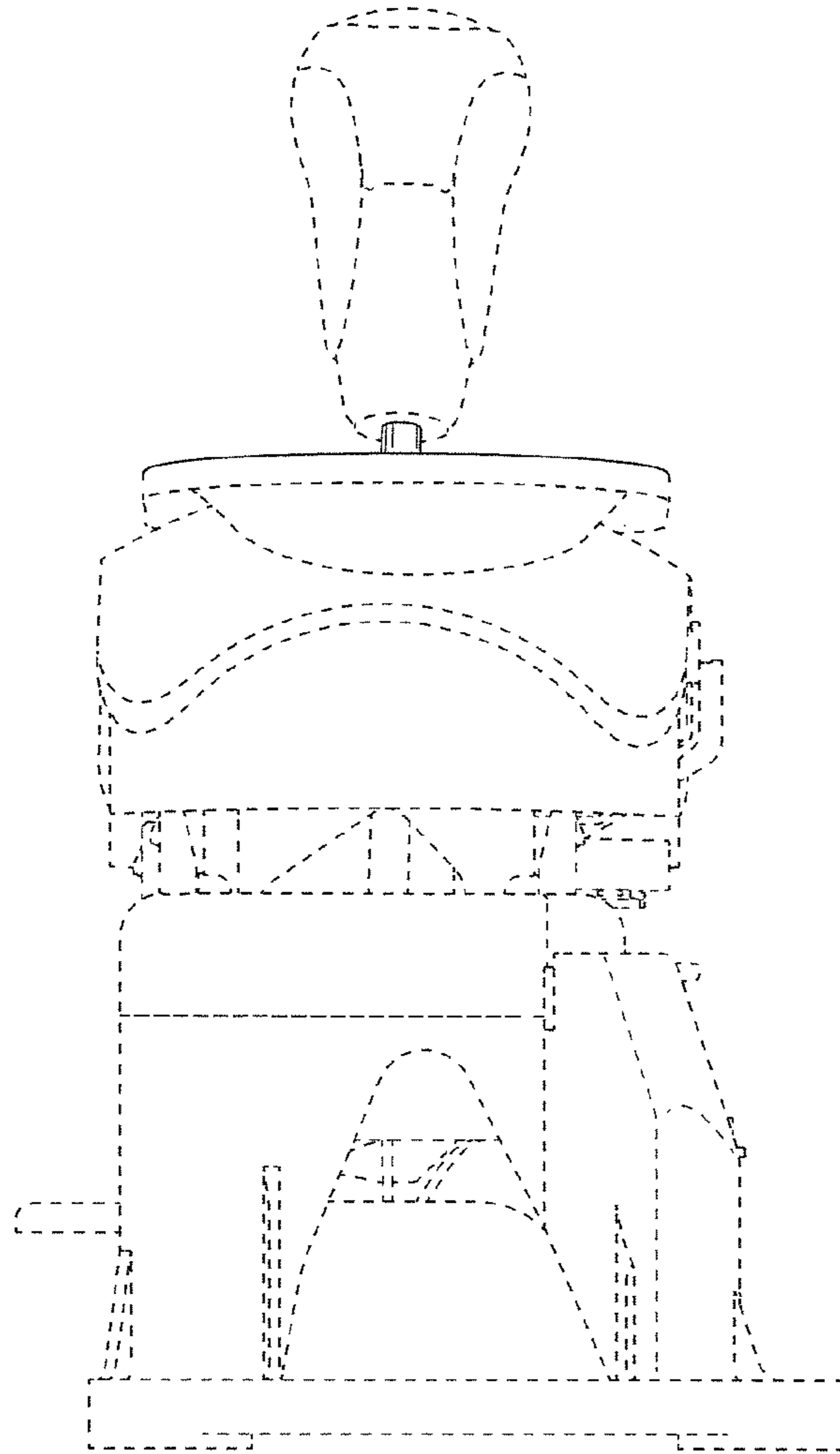


FIG.5

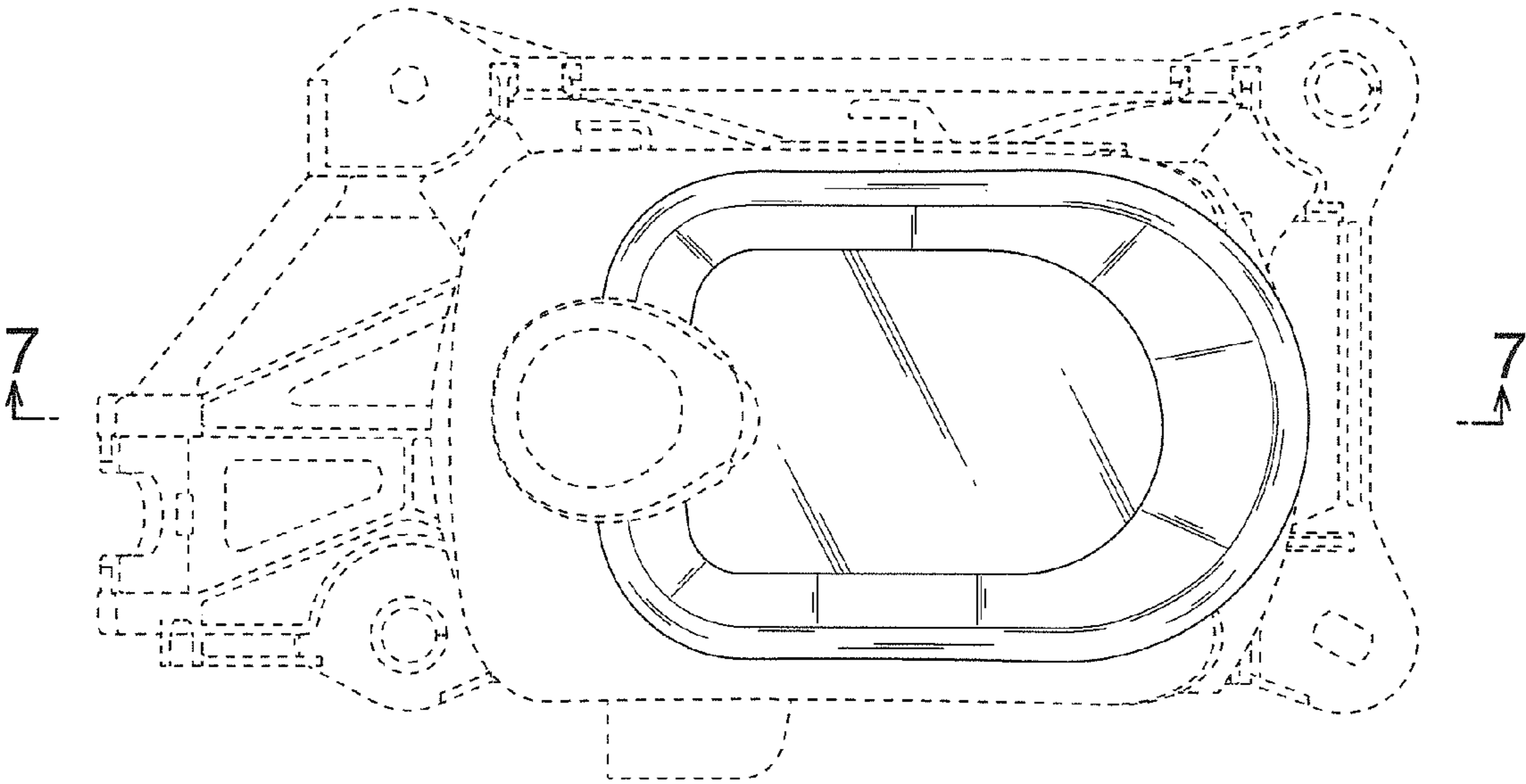


FIG.6

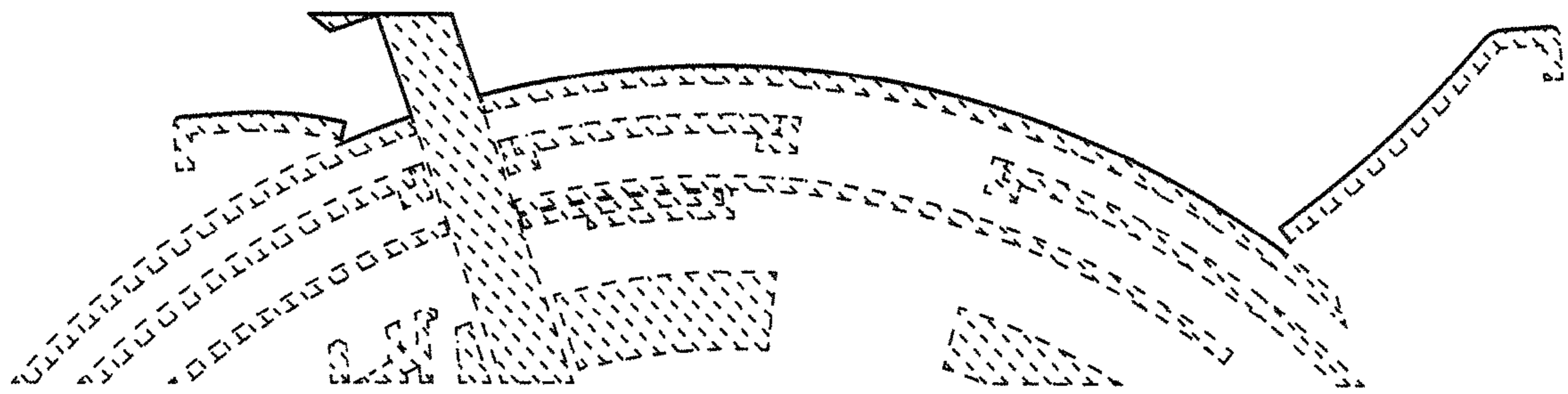


FIG.7

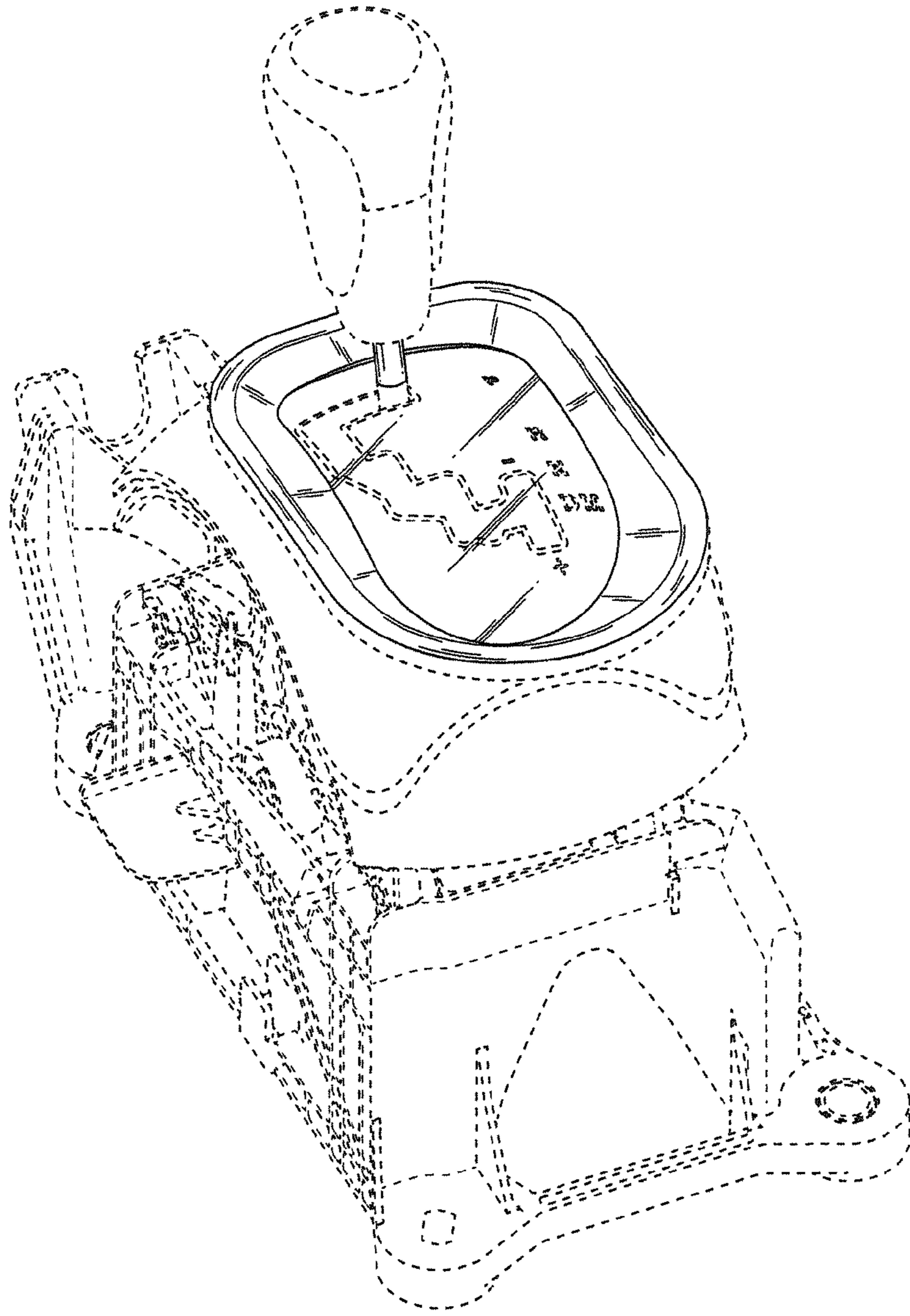


FIG.8