



US00D685695S

(12) **United States Design Patent**
Platto et al.

(10) **Patent No.:** **US D685,695 S**
(45) **Date of Patent:** **** Jul. 9, 2013**

(54) **VEHICLE GRILLE**

(75) Inventors: **Gordon M. Platto**, Troy, MI (US); **Sean W. Tant**, Livonia, MI (US); **William K. Moore**, West Bloomfield, MI (US)

(73) Assignee: **Ford Motor Company**, Dearborn, MI (US)

(**) Term: **14 Years**

(21) Appl. No.: **29/415,176**

(22) Filed: **Mar. 8, 2012**

(51) **LOC (9) Cl.** **12-16**

(52) **U.S. Cl.**
USPC **D12/163**

(58) **Field of Classification Search**
USPC D12/163, 196, 171, 169, 216, 90-92,
D12/86; 180/68.1, 68.6; 296/193.11
See application file for complete search history.

(56) **References Cited**

U.S. PATENT DOCUMENTS

D535,591 S 1/2007 Schiavone
D560,567 S 1/2008 Tant et al.
D560,568 S 1/2008 Tant et al.

D580,310 S 11/2008 Tant et al.
D606,460 S 12/2009 Richards et al.
D607,786 S * 1/2010 Golden et al. D12/163
D609,142 S * 2/2010 Roller et al. D12/163
D610,495 S * 2/2010 Bucher et al. D12/163
D613,209 S * 4/2010 Elliott et al. D12/163
D614,087 S * 4/2010 Ectors et al. D12/163
D614,543 S * 4/2010 Kitazumi et al. D12/163
D616,341 S * 5/2010 Fukui et al. D12/163
D630,138 S * 1/2011 Bucher et al. D12/163

* cited by examiner

Primary Examiner — Melody Brown

(74) *Attorney, Agent, or Firm* — Damian Porcari

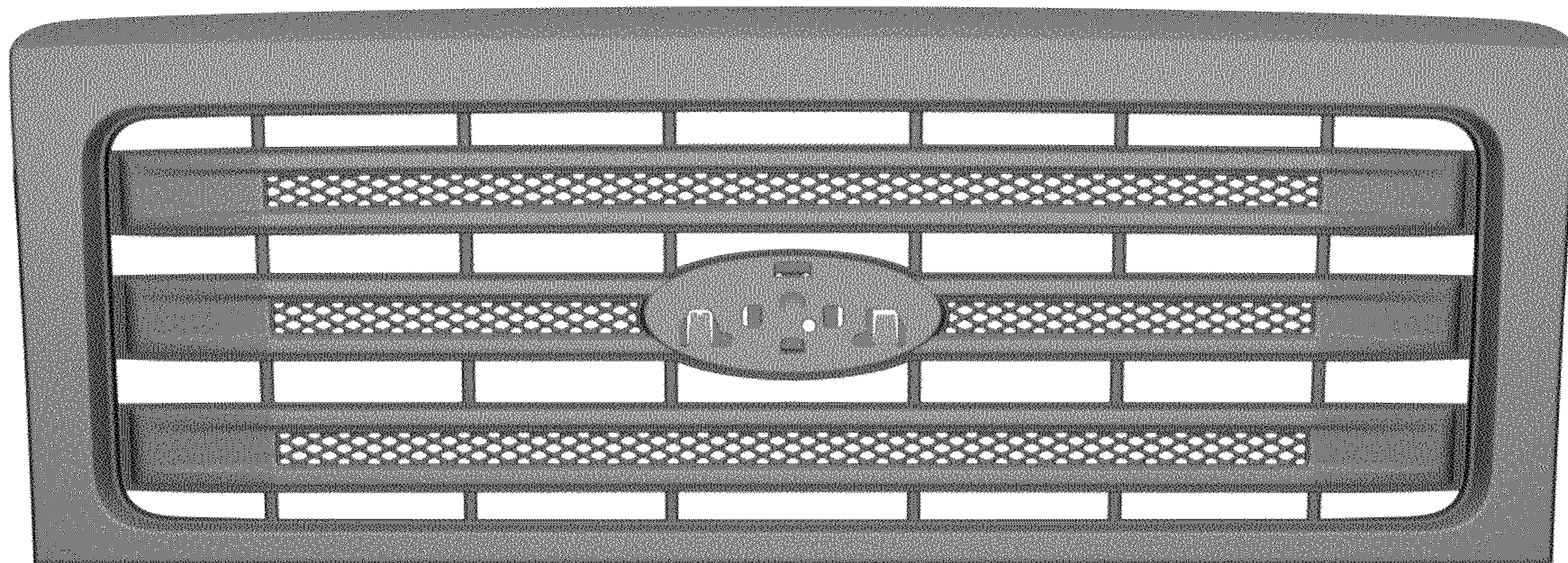
(57) **CLAIM**

The ornamental design for a vehicle grille, as shown and described.

DESCRIPTION

FIG. 1 is a top plan view of a vehicle grille;
FIG. 2 is a bottom plan view of the vehicle grille;
FIG. 3 is a front elevational view of the vehicle grille;
FIG. 4 is a left side elevational view of the vehicle grille;
FIG. 5 is a right side elevational view of the vehicle grille;
FIG. 6 is a perspective view of the vehicle grille; and,
FIG. 7 is another perspective view of the vehicle grille.

1 Claim, 7 Drawing Sheets



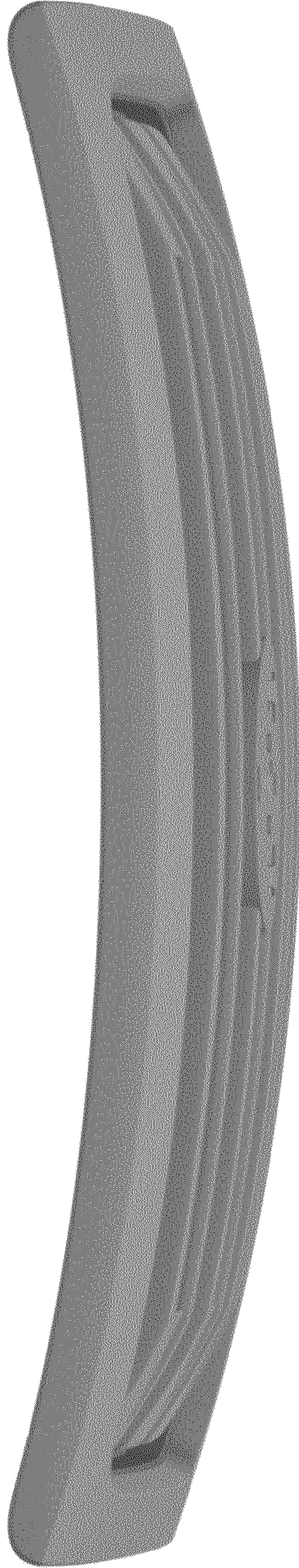


Figure 1

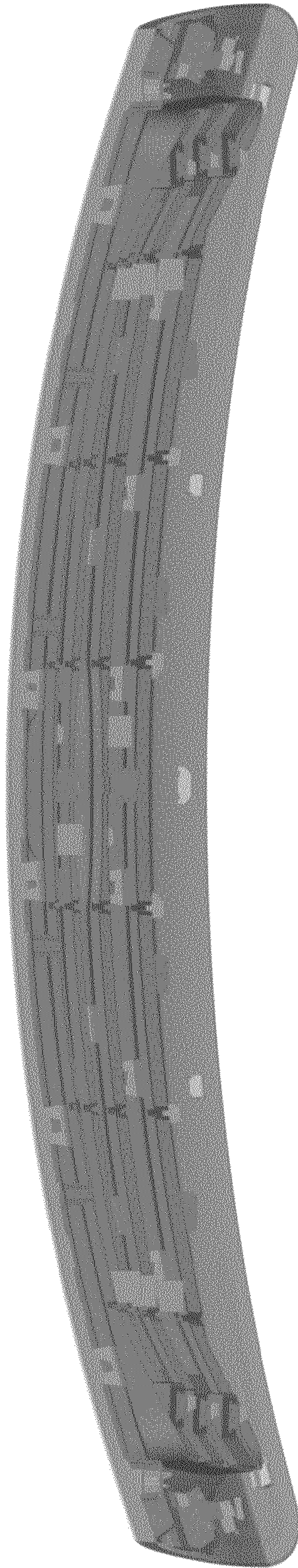


Figure 2

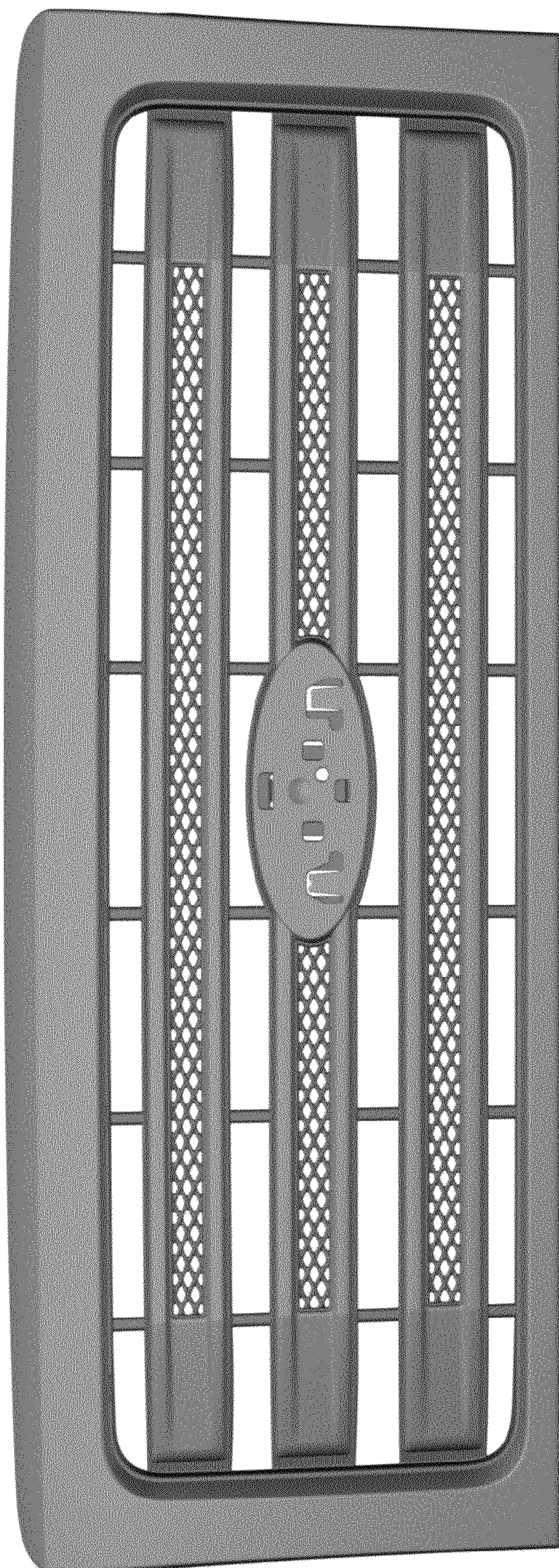


Figure 3

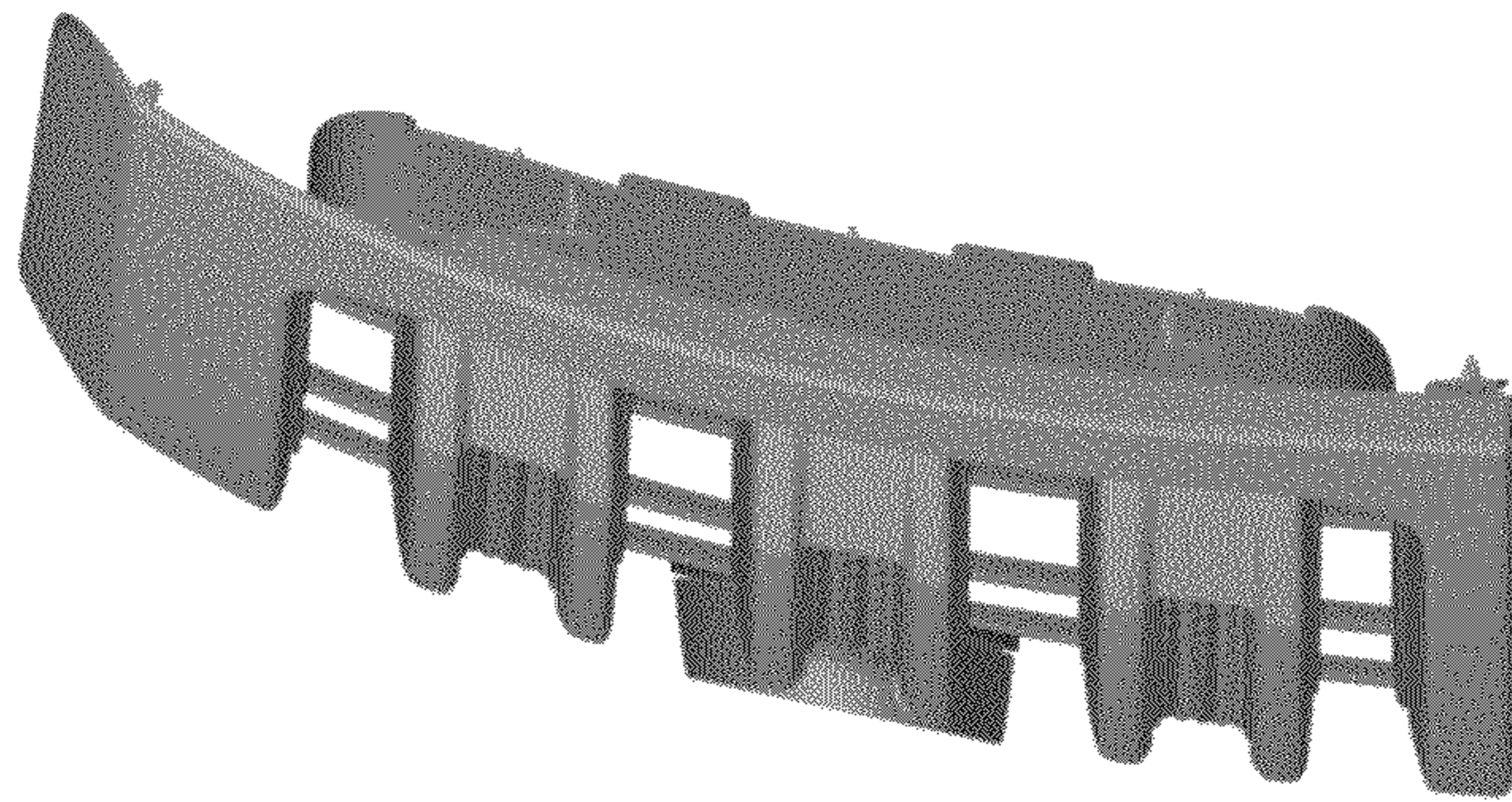


Figure 4

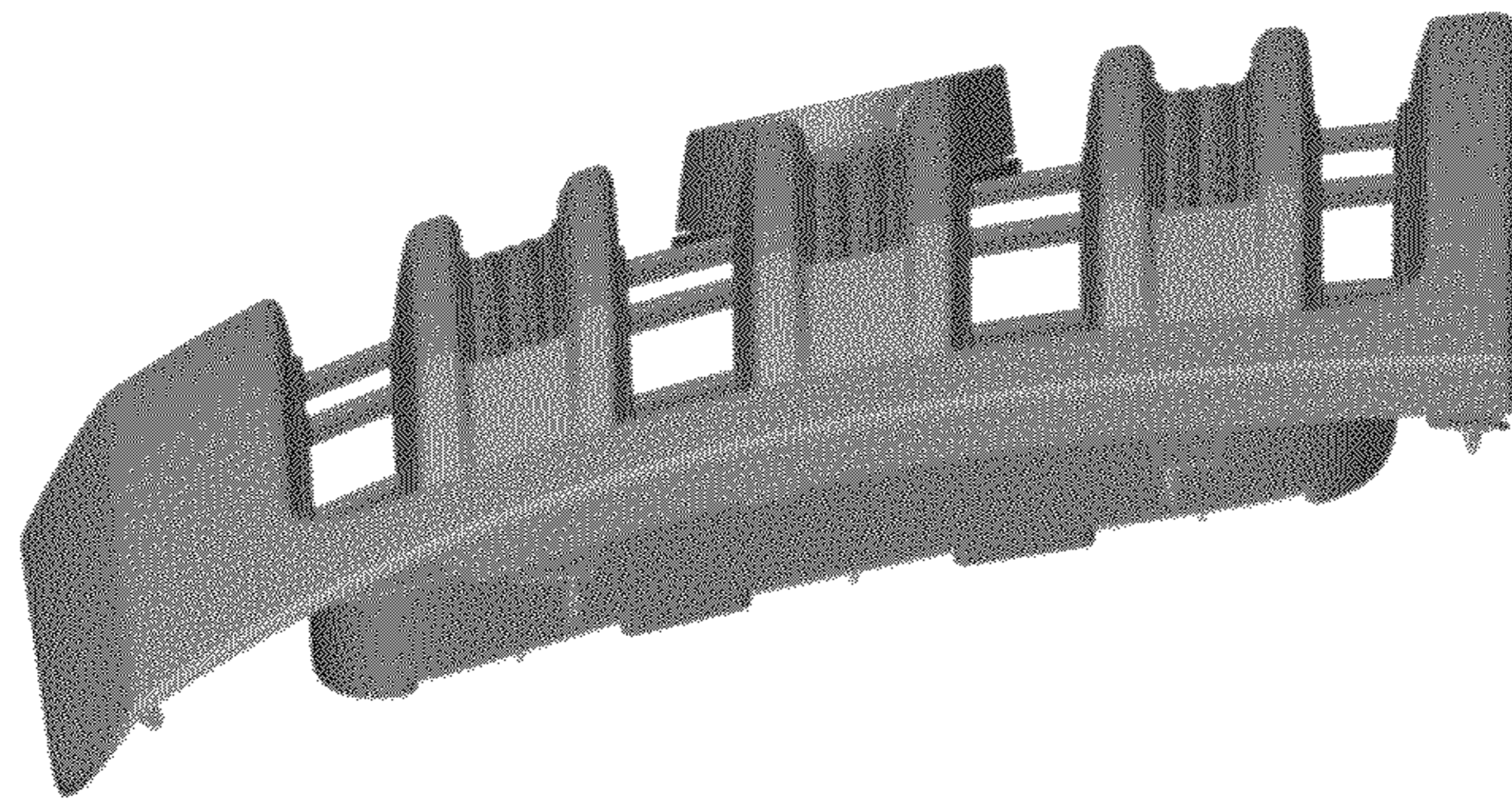


Figure 5



Figure 6



Figure 7