



US00D685693S

(12) **United States Design Patent**
Platto et al.

(10) **Patent No.:** **US D685,693 S**
(45) **Date of Patent:** **** Jul. 9, 2013**

(54) **VEHICLE FRONT UPPER GRILLE**

(75) Inventors: **Gordon M. Platto**, Troy, MI (US);
Bradley Alan Richards, Bloomfield
Hills, MI (US); **Shawn Sung Yu**,
Shanghai (CN); **Timothy Doyle**, Royal
Oak, MI (US)

(73) Assignee: **Ford Motor Company**, Dearborn, MI
(US)

(**) Term: **14 Years**

(21) Appl. No.: **29/411,520**

(22) Filed: **Jan. 23, 2012**

(51) **LOC (9) Cl.** **12-16**

(52) **U.S. Cl.**
USPC **D12/163**

(58) **Field of Classification Search**
USPC D12/163, 196, 171, 169, 216, 90-92,
D12/86; 180/68.1, 68.6; 296/193.11
See application file for complete search history.

(56) **References Cited**

U.S. PATENT DOCUMENTS

D452,837 S * 1/2002 Kitamura et al. D12/163
D525,570 S * 7/2006 Sugiura et al. D12/163

D561,067 S 2/2008 Gresens
D579,829 S * 11/2008 Hokao et al. D12/163
D613,211 S * 4/2010 Wu D12/163
D616,342 S * 5/2010 Kim D12/163
D630,989 S * 1/2011 Nowells D12/163

* cited by examiner

Primary Examiner — Melody Brown

(74) *Attorney, Agent, or Firm* — Damian Porcari

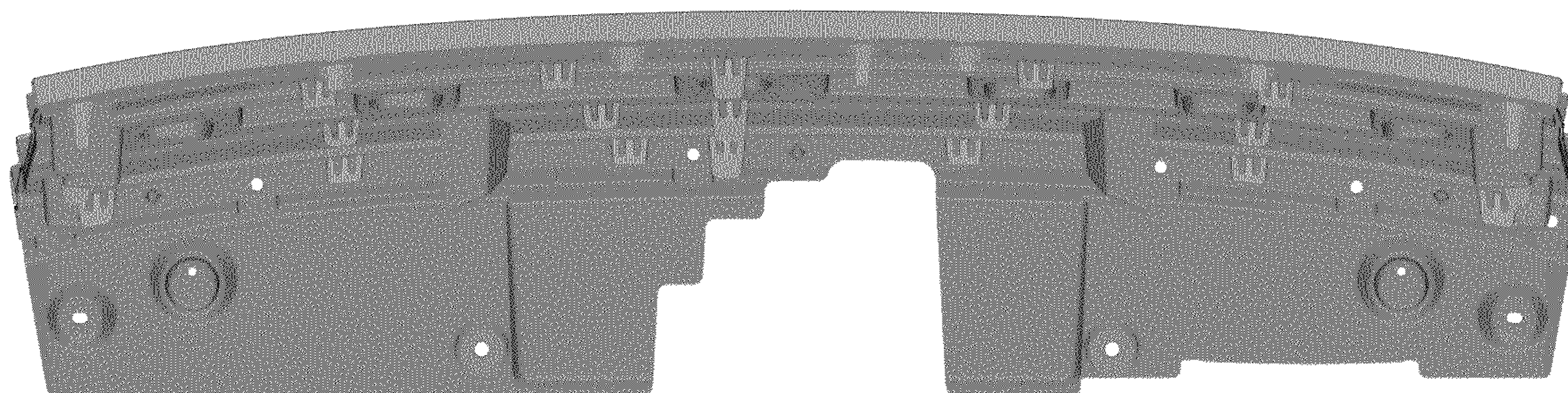
(57) **CLAIM**

The ornamental design for a vehicle front upper grille, as shown and described.

DESCRIPTION

FIG. 1 is a top plan view of a vehicle front upper grille;
FIG. 2 is a bottom plan view of the vehicle front upper grille;
FIG. 3 is a front elevational view of the vehicle front upper grille;
FIG. 4 is a left side elevational view of the vehicle front upper grille;
FIG. 5 is a right side elevational view of the vehicle front upper grille;
FIG. 6 is a perspective view of the vehicle front upper grille;
and,
FIG. 7 is another perspective view of the vehicle front upper grille.

1 Claim, 7 Drawing Sheets



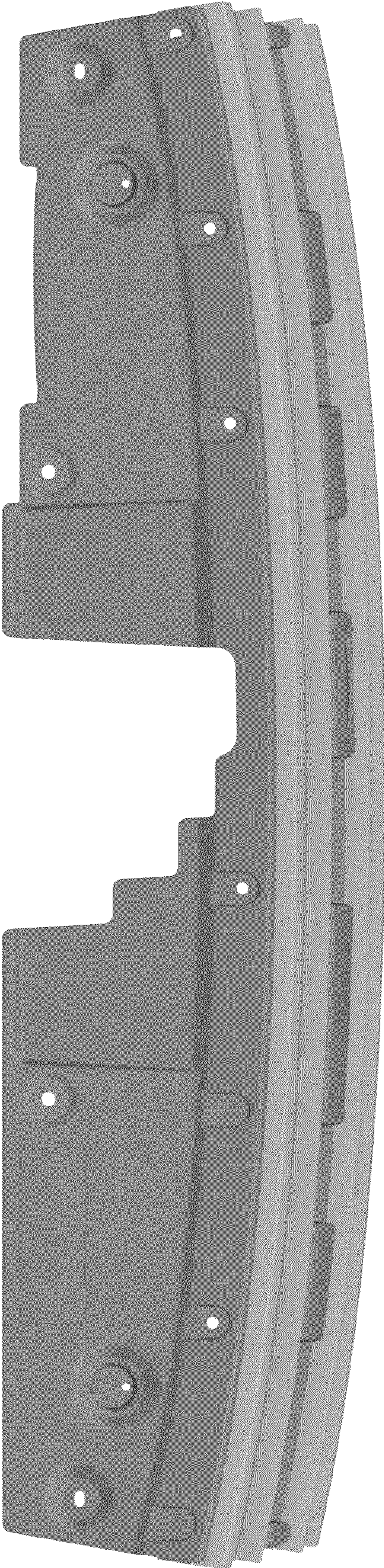
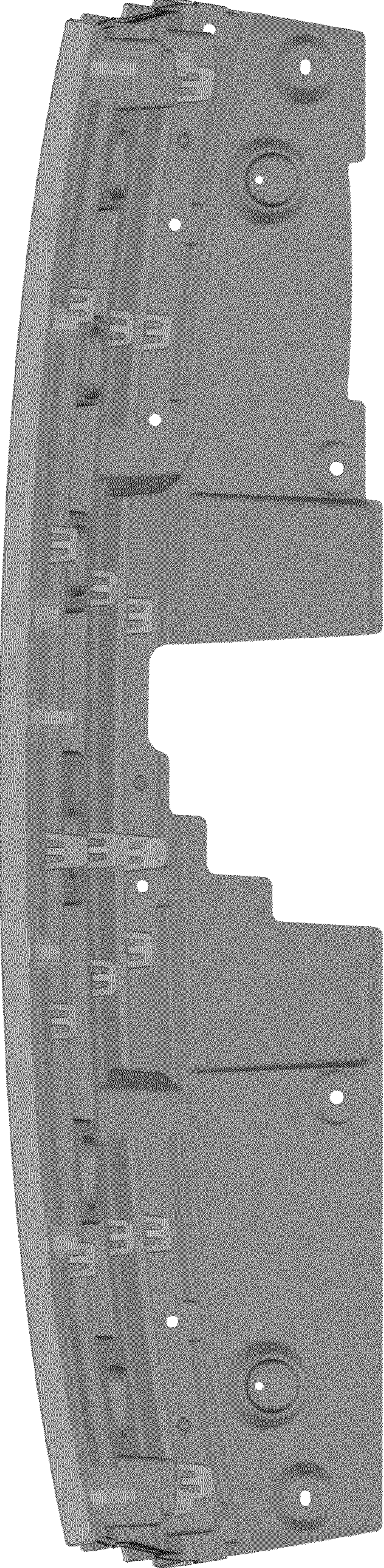


Figure 1

Figure 2



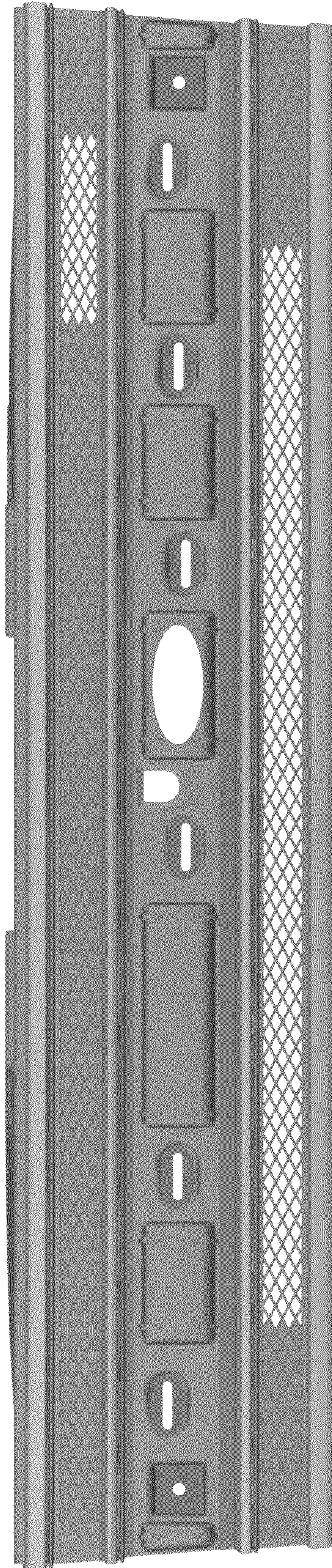


Figure 3

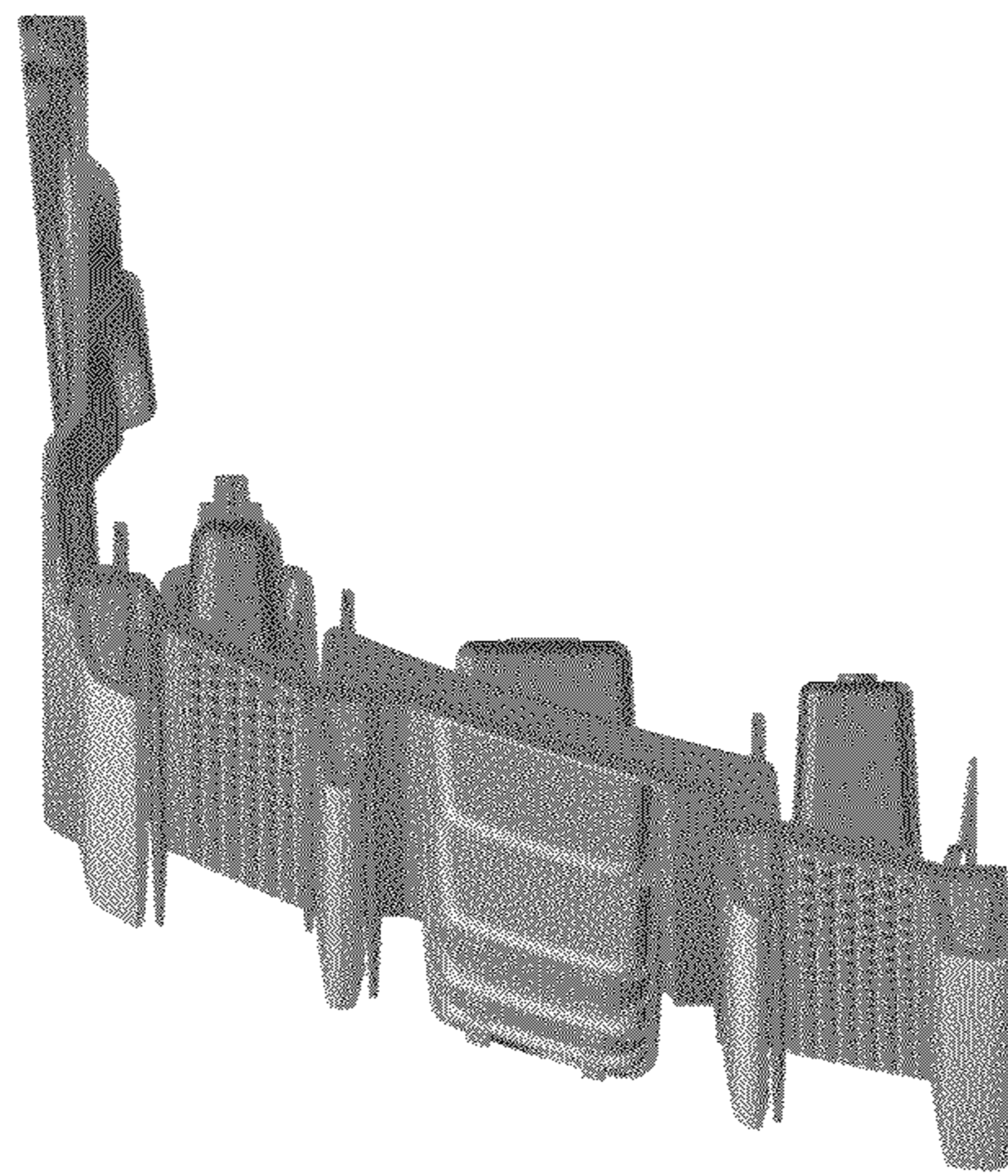


Figure 4

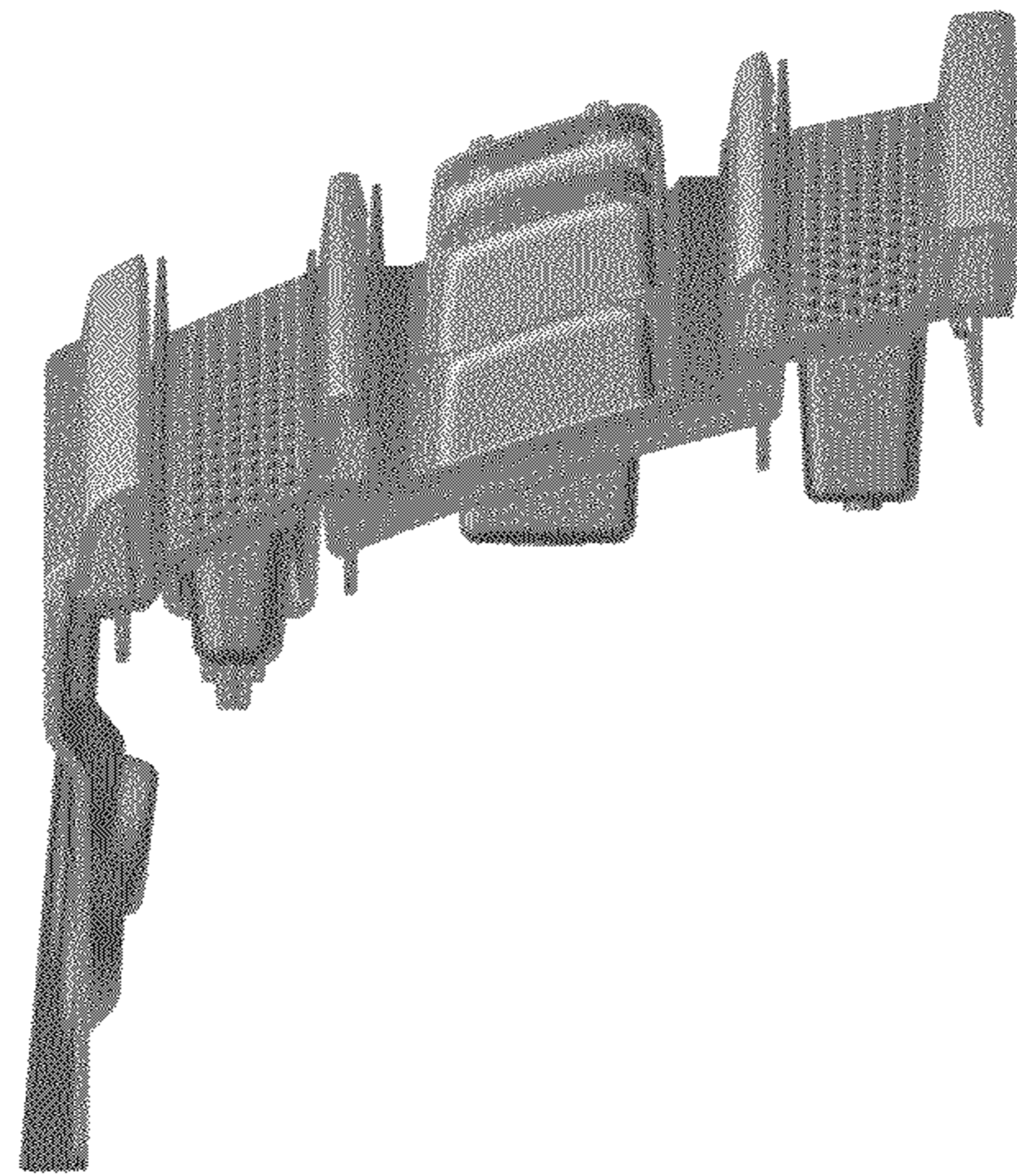


Figure 5

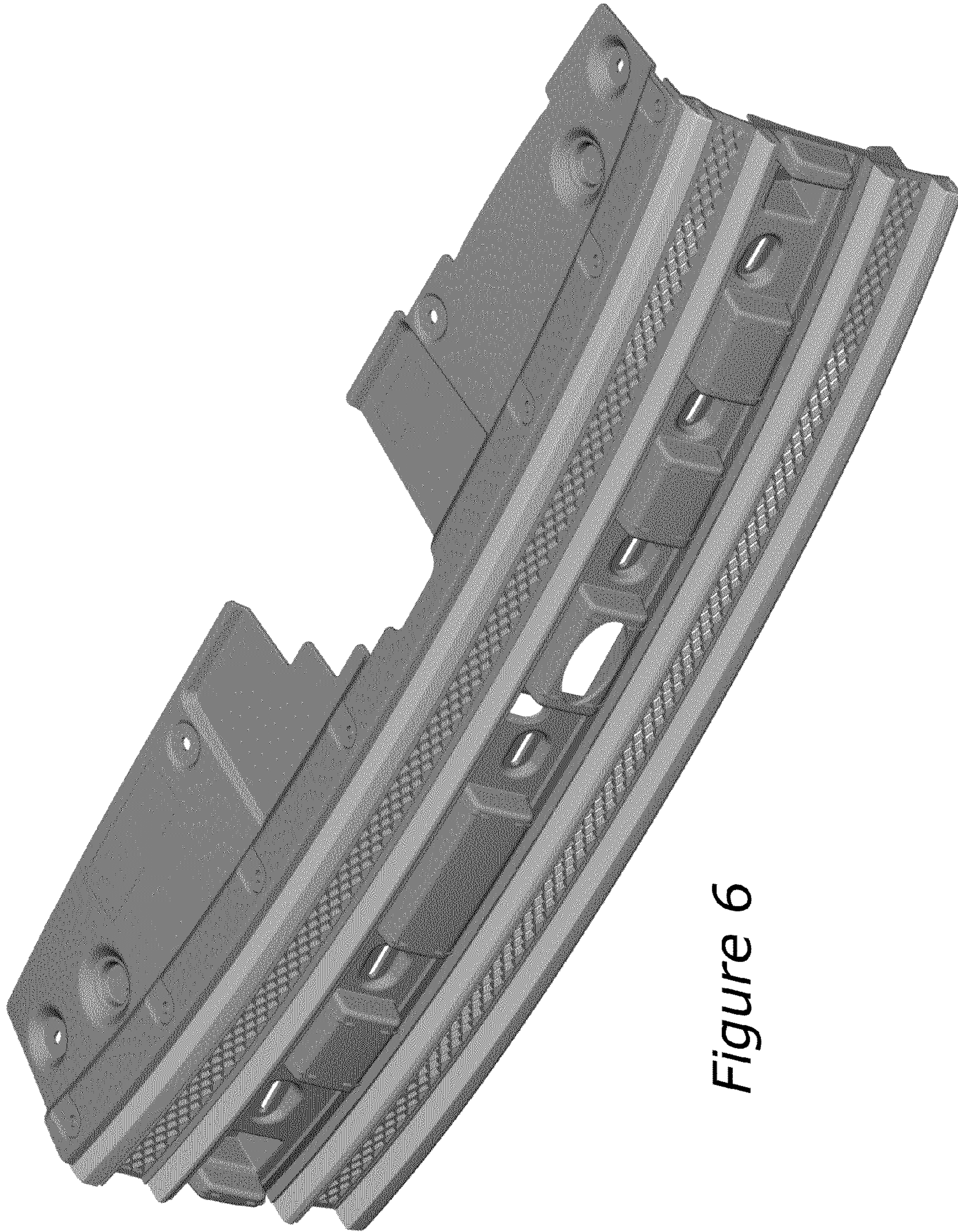


Figure 6

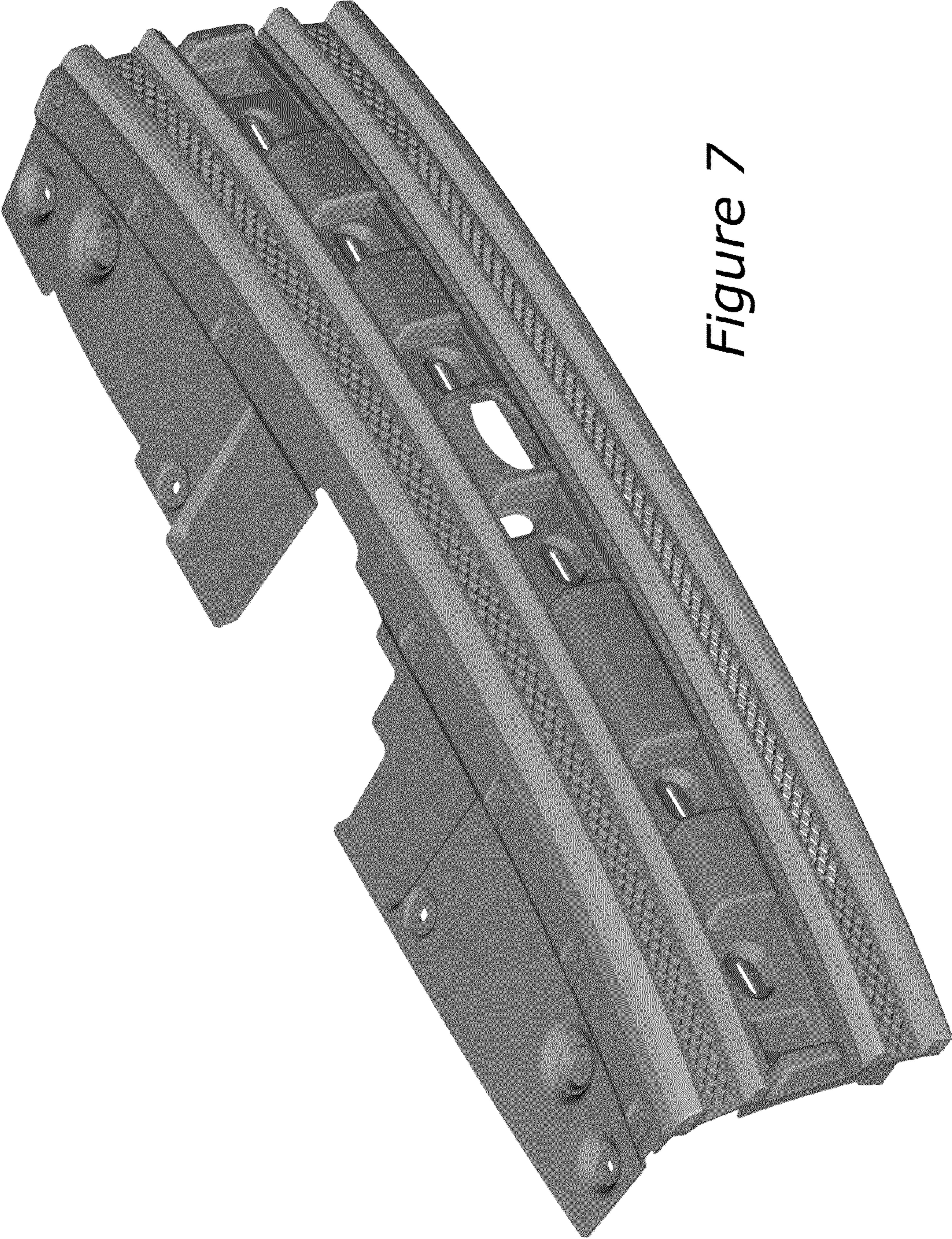


Figure 7