



US00D685687S

(12) **United States Design Patent**
Richter

(10) **Patent No.:** **US D685,687 S**
(45) **Date of Patent:** **** Jul. 9, 2013**

(54) **BIKE-MOUNTED HOLDER FOR A CELL PHONE AND OTHER ELECTRONIC DEVICES**

Primary Examiner — Susan M Lee
Assistant Examiner — Linda G Brooks
(74) *Attorney, Agent, or Firm* — Klaus J. Bach

(76) Inventor: **Harald Richter**, Engelbrand (DE)

(57) **CLAIM**

(**) Term: **14 Years**

The ornamental design for a bike-mounted holder for a cell phone and other electronic devices, as shown and described.

(21) Appl. No.: **29/428,575**

DESCRIPTION

(22) Filed: **Aug. 1, 2012**

(51) **LOC (9) Cl.** **12-11**

(52) **U.S. Cl.**

USPC **D12/114**

(58) **Field of Classification Search**

USPC . D12/114, 406, 407, 223; D14/224; 248/214, 248/218, 4, 220.21, 200, 371, 503; 296/1.07; 224/419, 420, 431, 448, 452, 441, 443, 456, 224/461; 74/551.8; 280/288.4; D8/382, 380, D8/394

See application file for complete search history.

FIG. 1 is a perspective view of a bike-mounted holder for a cell phone and other electronic devices;
FIG. 2 is a right end view of the bike-mounted holder for a cell phone and other electronic devices shown in FIG. 1,
FIG. 3 is a top view of the bike-mounted holder for a cell phone and other electronic devices shown in FIG. 2,
FIG. 4 is a left side view of the bike-mounted holder for a cell phone and other electronic devices shown in FIG. 2,
FIG. 5 is right side view of the bike-mounted holder for a cell phone and other electronic devices shown in FIG. 2,
FIG. 6 is a bottom view of the bike-mounted holder for a cell phone and other electronic devices shown in FIG. 2; and,
FIG. 7 is an end view opposite to that of FIG. 2 of the bike-mounted holder for a cell phone and other electronic devices.

The broken lines adjacent the shaded areas represent boundaries, while the other broken lines represent unclaimed environmental structure; none of the broken lines form part of the claimed design.

The bike-mounted holder for a cell phone and other electronic devices is used for supporting for example a holder for a cell phone or another electronic device on a handle bar of a bike.

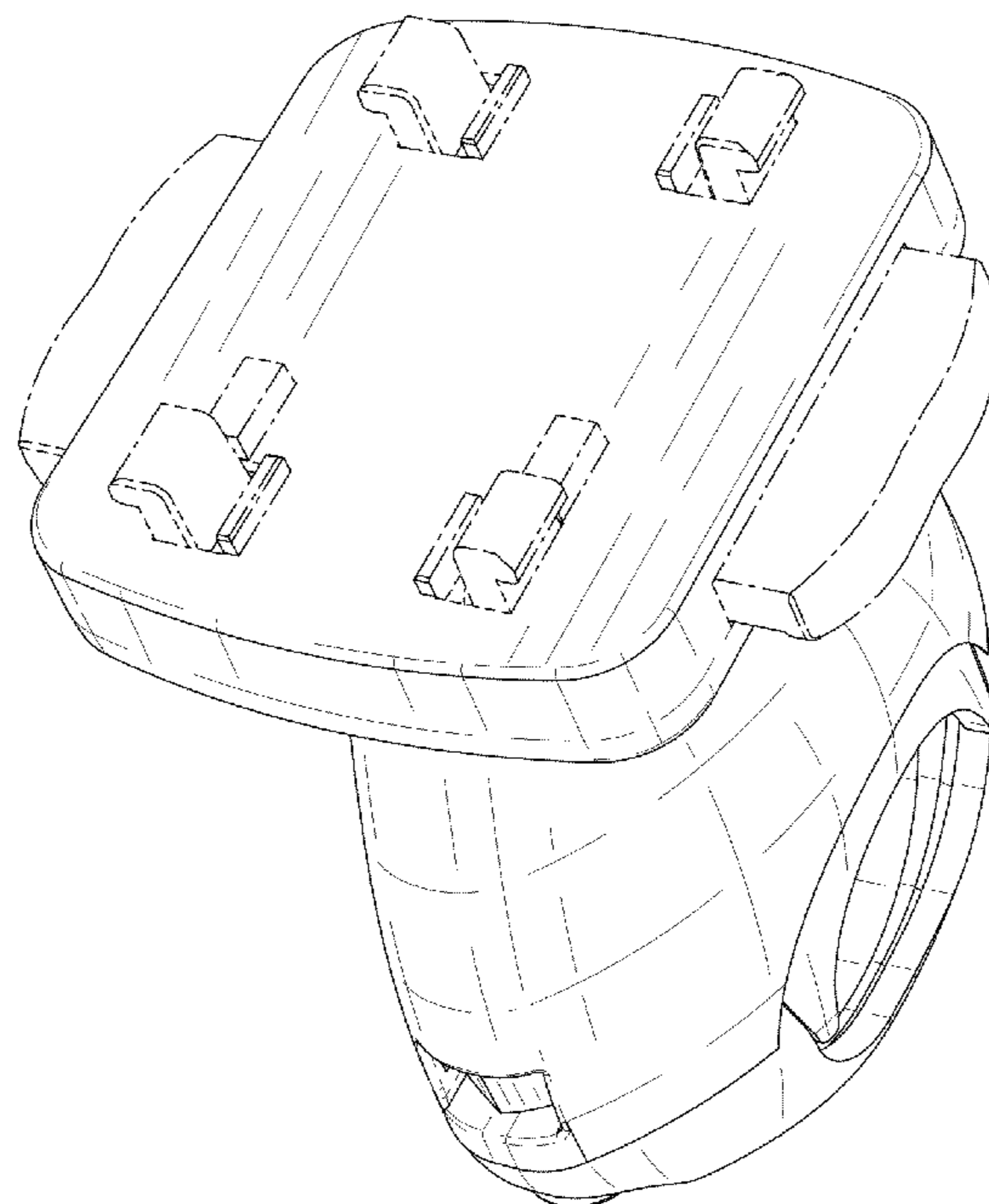
(56) **References Cited**

U.S. PATENT DOCUMENTS

4,981,243	A *	1/1991	Rogowski	224/431
D370,193	S *	5/1996	Shull	D12/114
6,557,437	B2 *	5/2003	Masui et al.	74/551.8
6,783,040	B2 *	8/2004	Batchelor	224/413
7,191,924	B2 *	3/2007	Kilmer	224/420
D652,779	S *	1/2012	Richter	D12/223
D653,190	S *	1/2012	Richter	D12/223
2005/0000988	A1 *	1/2005	Schanz et al.	224/420

* cited by examiner

1 Claim, 7 Drawing Sheets



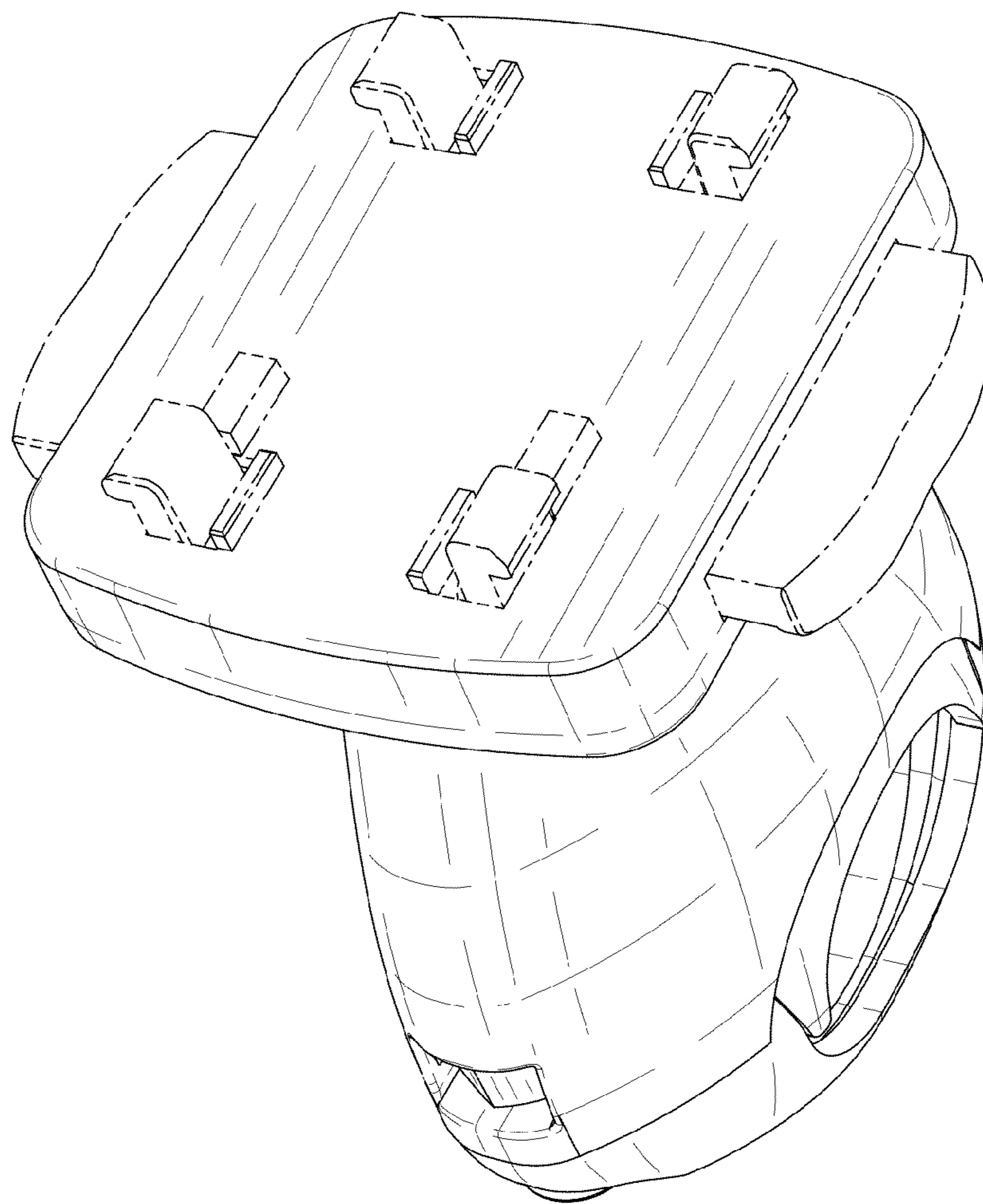


FIG. 1

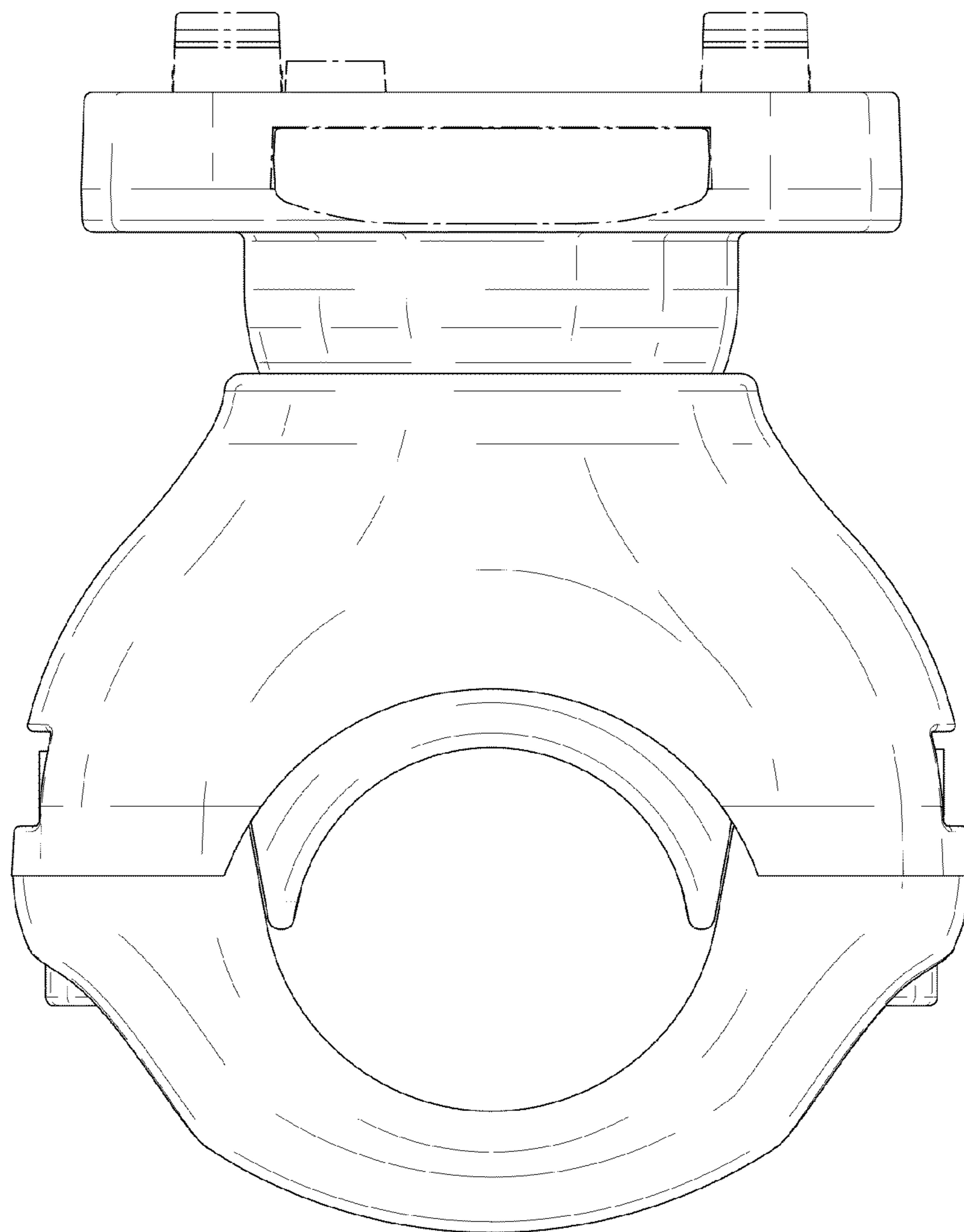


FIG. 2

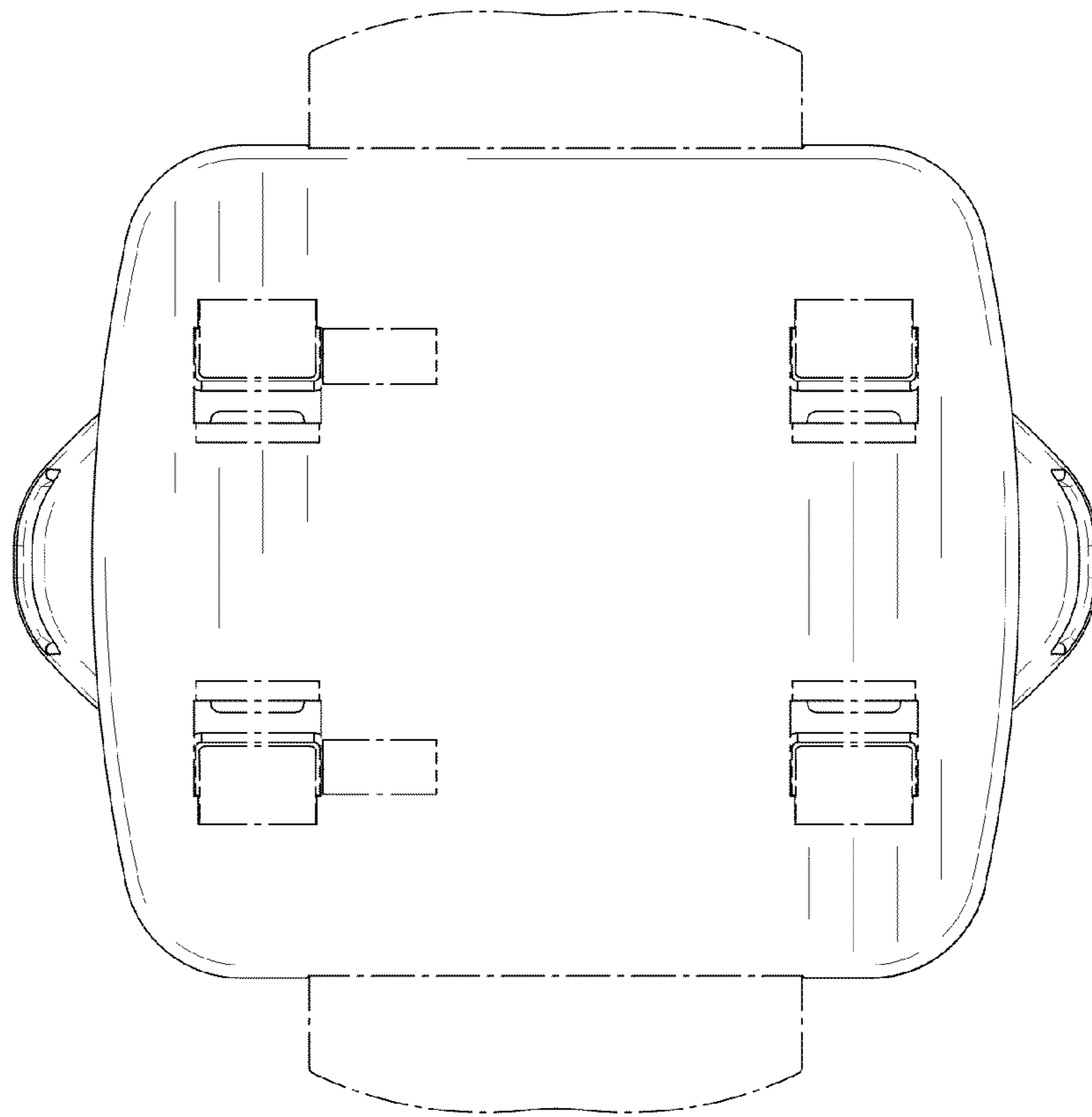


FIG. 3

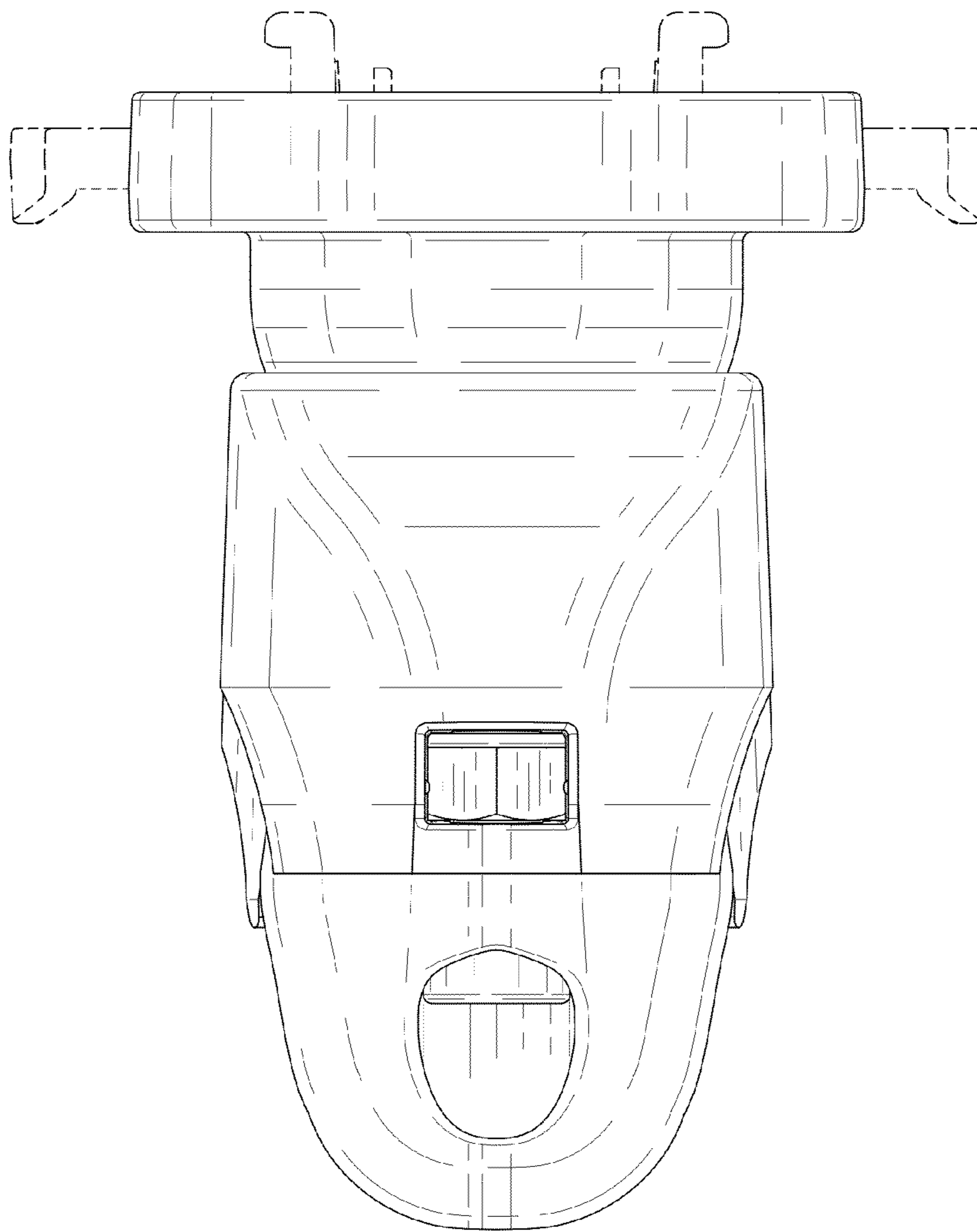


FIG. 4

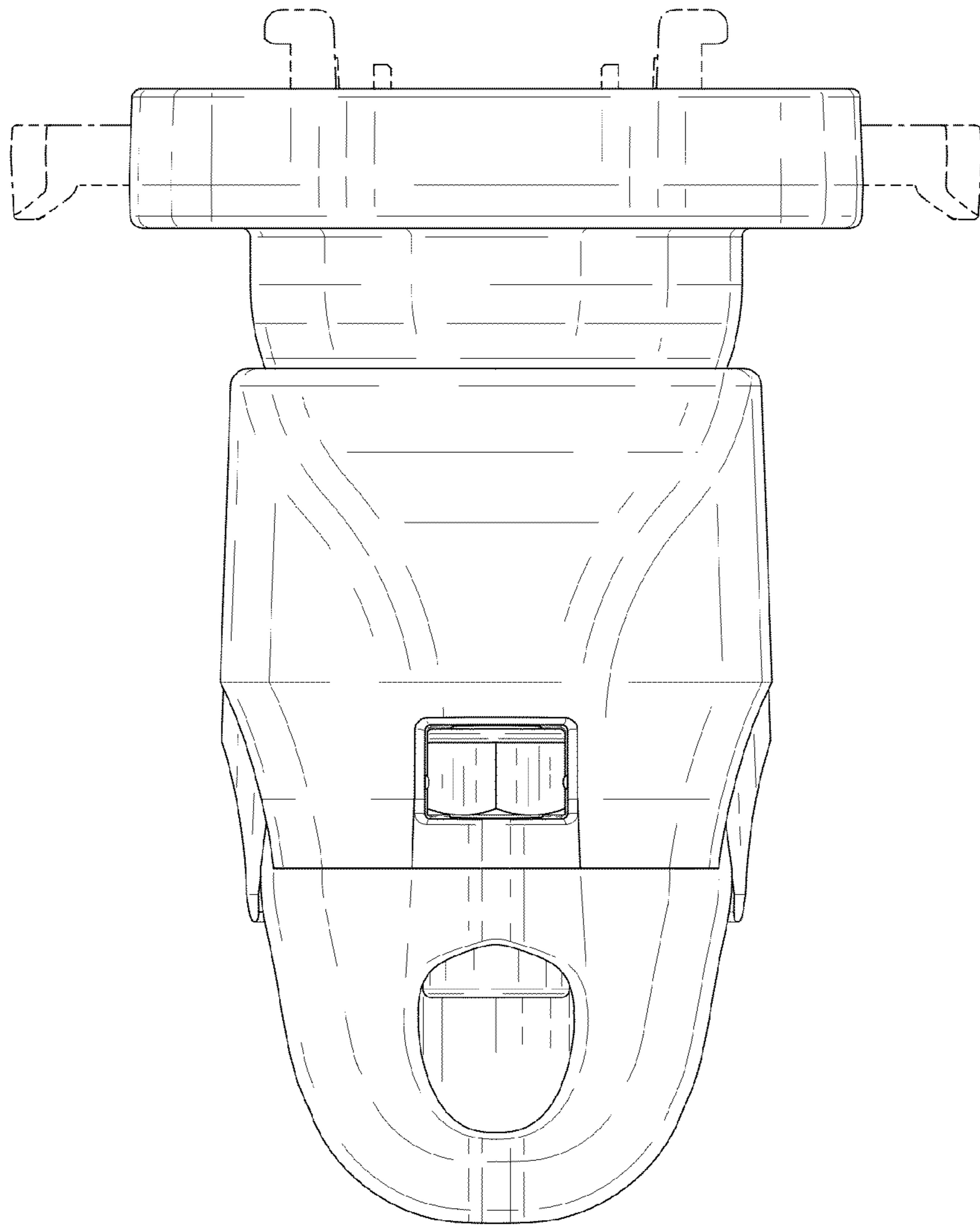


FIG. 5

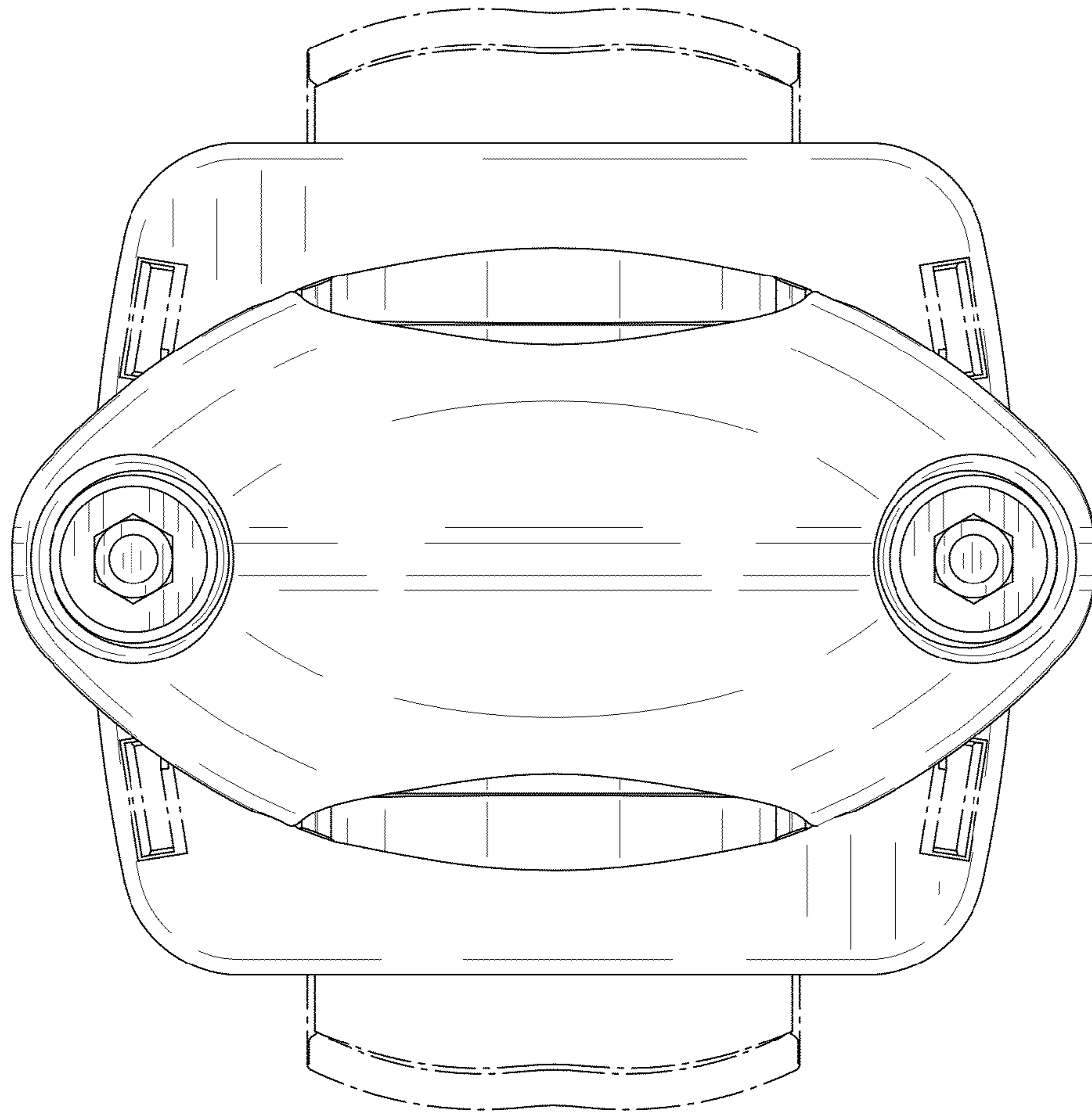


FIG. 6

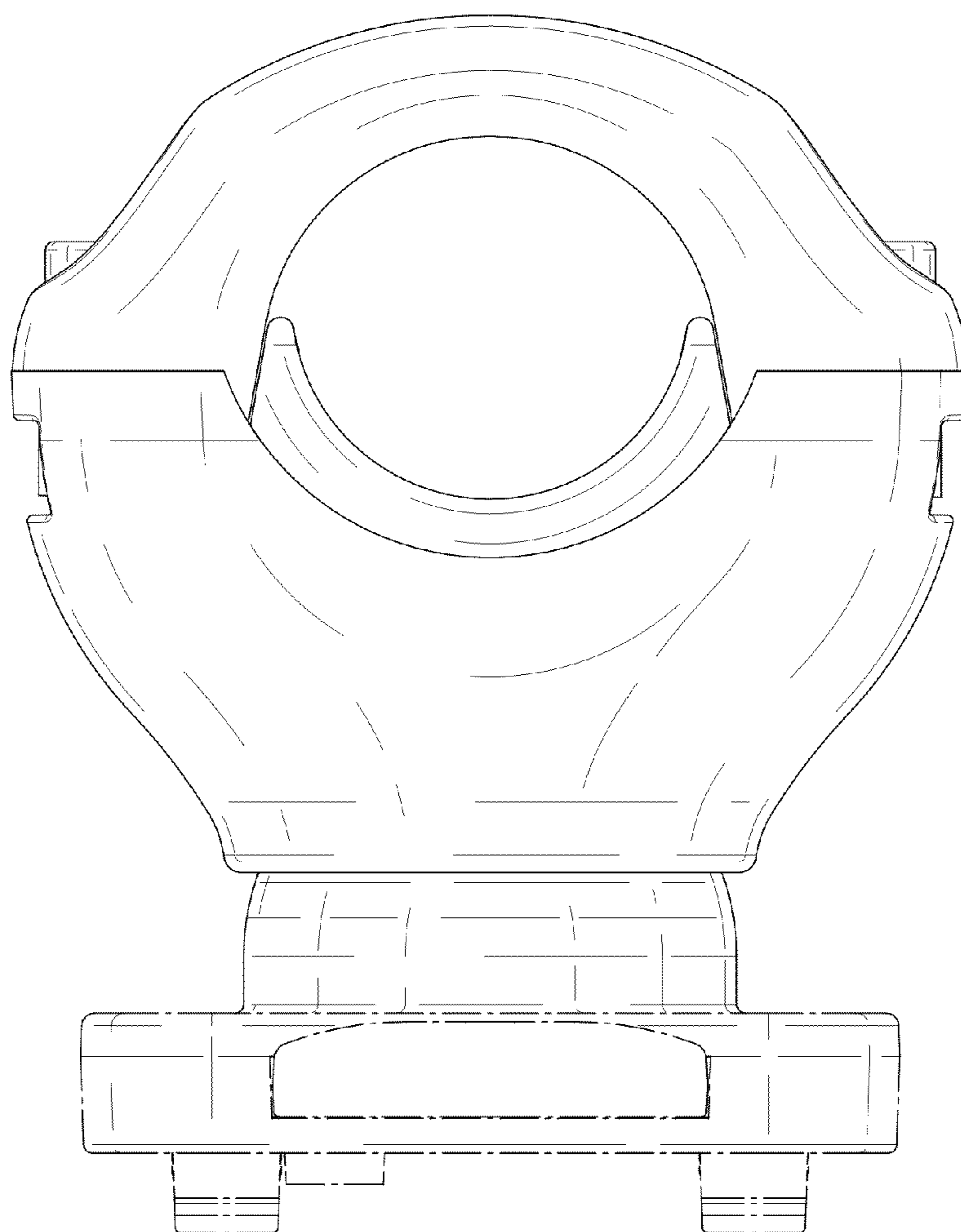


FIG. 7