



US00D685686S

(12) **United States Design Patent**  
**Pirollo et al.**

(10) **Patent No.:** **US D685,686 S**  
(45) **Date of Patent:** **\*\* Jul. 9, 2013**

(54) **COIL MOUNT FOR CUSTOMIZING  
MOTORCYCLES**

D434,304 S \* 11/2000 Willett ..... D8/354  
D448,656 S \* 10/2001 Kalat ..... D8/382  
D450,561 S \* 11/2001 Moore et al. .... D8/349  
D656,884 S \* 4/2012 Barkdoll et al. .... D12/223

(76) Inventors: **Kevin Pirollo**, Byhalia, MS (US); **Devin Bright**, Hickory Flat, MS (US)

\* cited by examiner

(\*\*) Term: **14 Years**

*Primary Examiner* — Susan M Lee  
*Assistant Examiner* — Linda G Brooks

(21) Appl. No.: **29/421,184**

(22) Filed: **Jun. 11, 2012**

(51) **LOC (9) Cl.** ..... **12-11**

(52) **U.S. Cl.**  
USPC ..... **D12/114**

(58) **Field of Classification Search**  
USPC ..... D12/114, 223; 280/288.4; D8/382,  
D8/349, 354, 363, 373; 248/200, 300, 304,  
248/317, 339, 503  
See application file for complete search history.

(57) **CLAIM**  
The ornamental design for a coil mount for customizing motorcycles, as shown.

**DESCRIPTION**

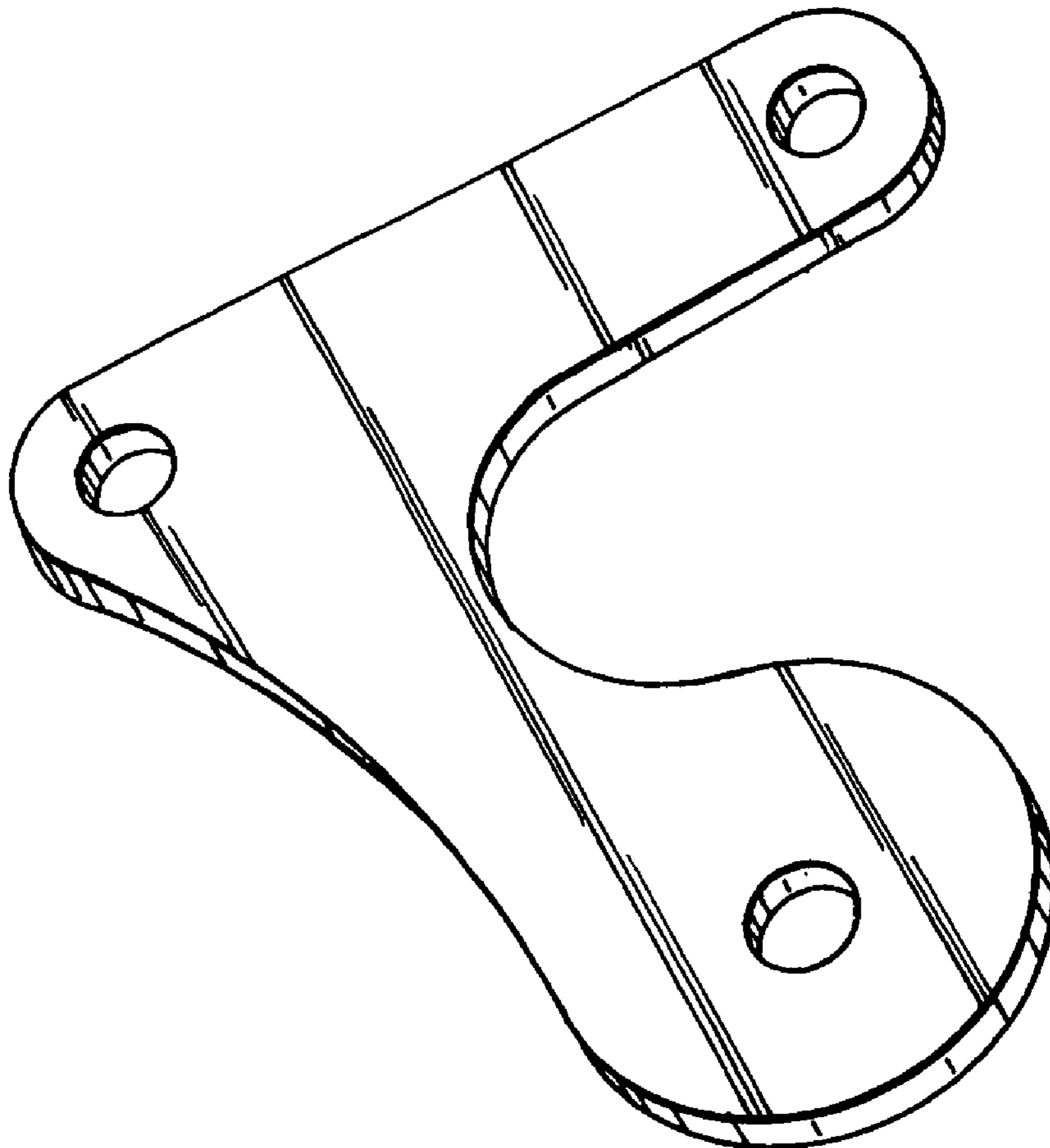
FIG. 1 is a top perspective view of a coil mount for customizing motorcycles showing our new design, FIG. 2 is a bottom perspective view thereof, FIG. 3 is a top plan view thereof, FIG. 4 is a bottom plan view thereof, FIG. 5 is a rear elevational view thereof, FIG. 6 is a front elevational view thereof, FIG. 7 is a left side elevational view thereof; and, FIG. 8 is a right side elevational view thereof.

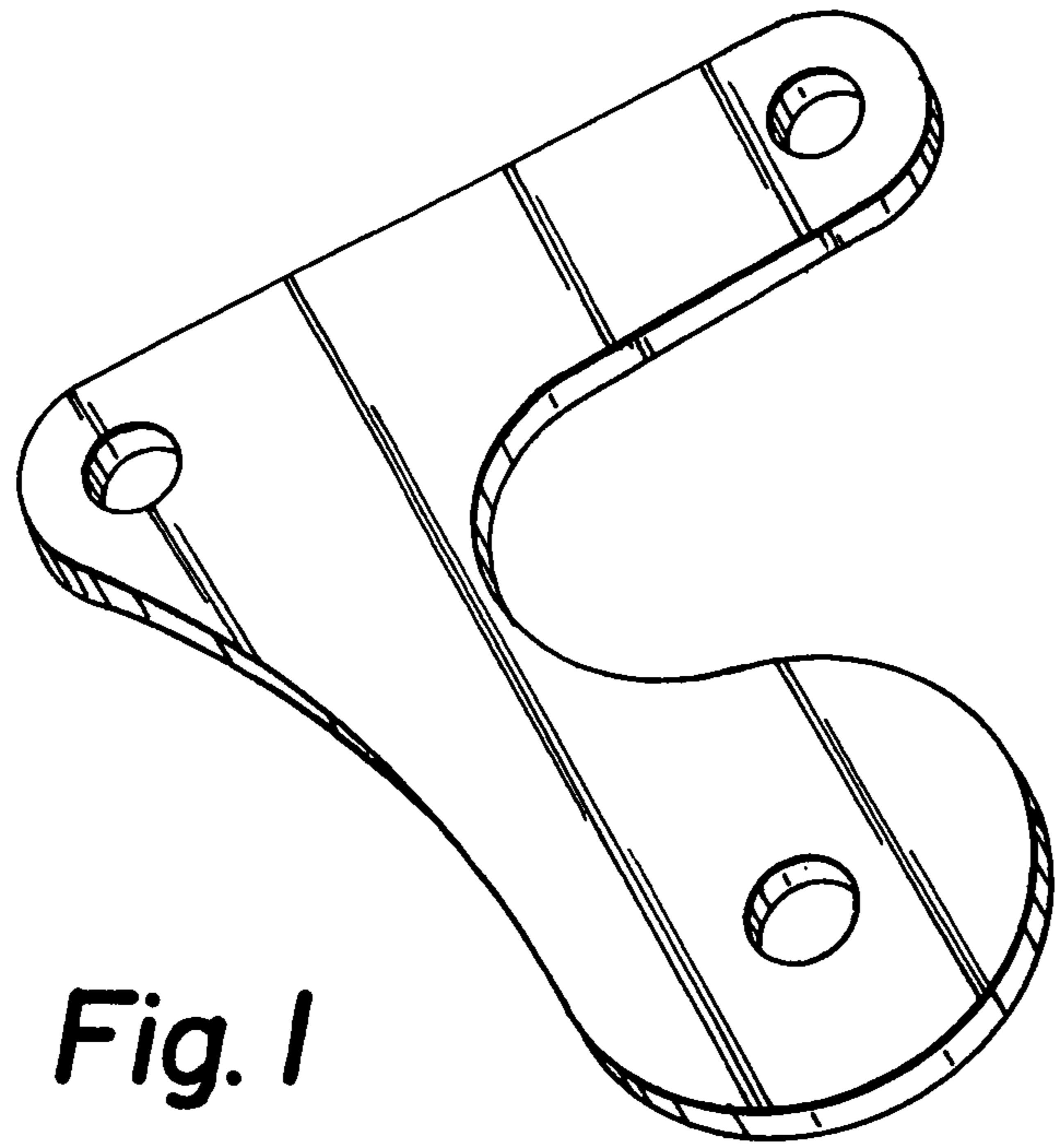
(56) **References Cited**

**U.S. PATENT DOCUMENTS**

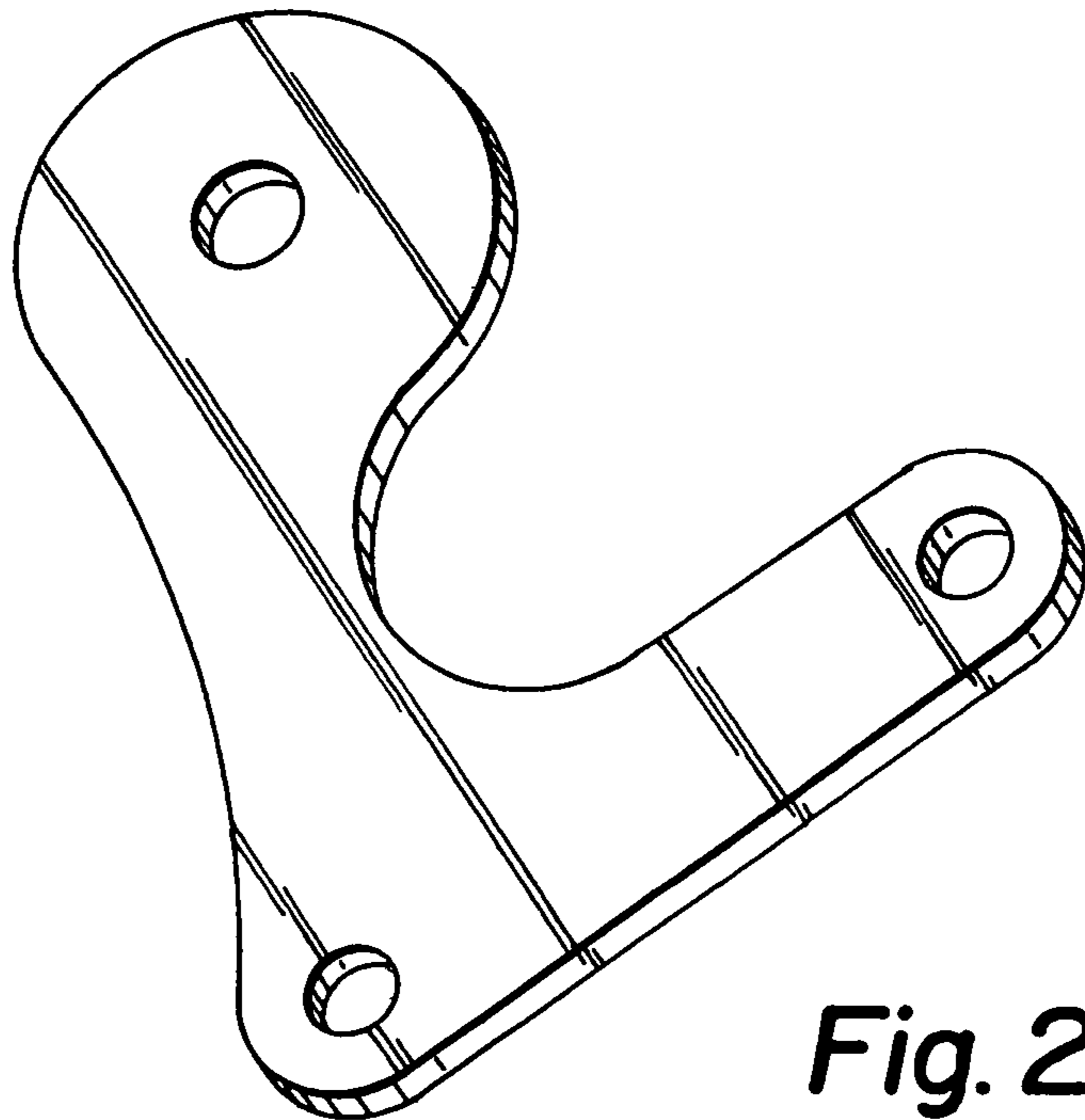
D375,718 S \* 11/1996 Lazzeroni et al. .... D12/223  
D427,888 S \* 7/2000 Hannon ..... D8/354

**1 Claim, 3 Drawing Sheets**

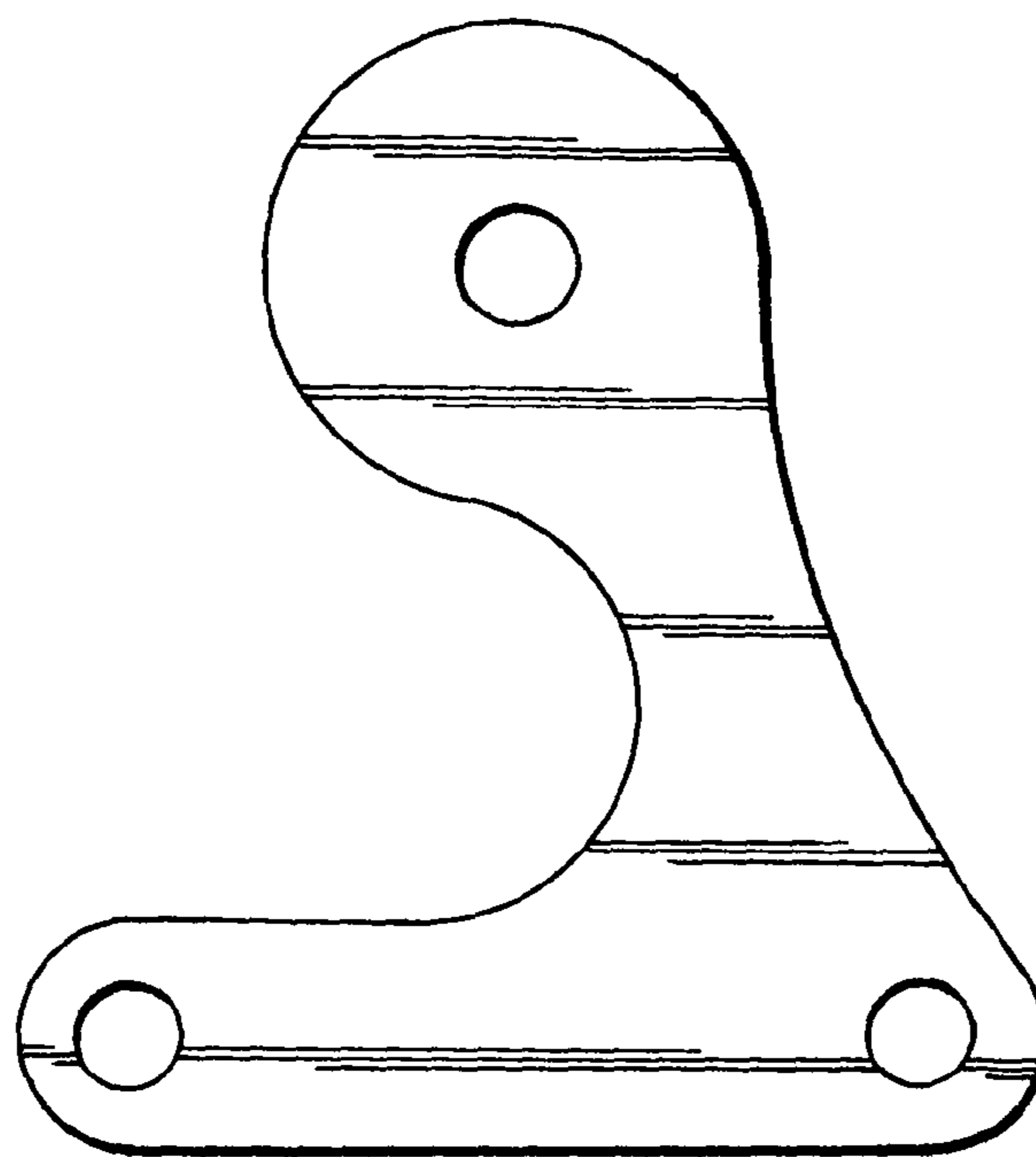




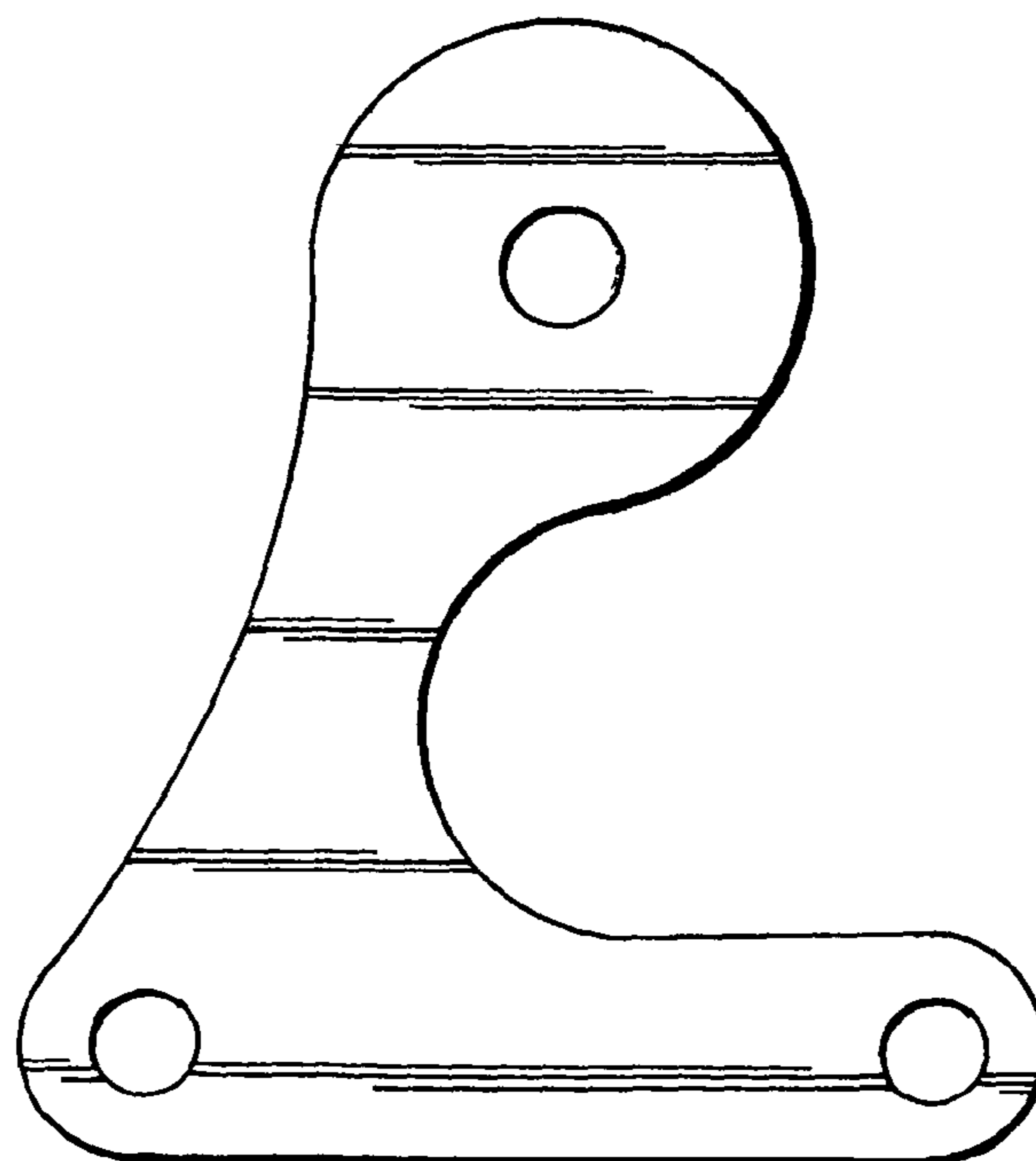
*Fig. 1*



*Fig. 2*



*Fig. 3*



*Fig. 4*



*Fig. 5*



*Fig. 6*



*Fig. 7*



*Fig. 8*