



US00D685685S

(12) **United States Design Patent**  
**Gaskill**

(10) **Patent No.:** **US D685,685 S**

(45) **Date of Patent:** **\*\* Jul. 9, 2013**

(54) **PEDESTRIAN CYCLE**

(71) Applicant: **J. Richard Gaskill**, Los Gatos, CA (US)

(72) Inventor: **J. Richard Gaskill**, Los Gatos, CA (US)

(\*\*) Term: **14 Years**

(21) Appl. No.: **29/443,773**

(22) Filed: **Jan. 22, 2013**

(51) **LOC (9) Cl.** ..... **12-11**

(52) **U.S. Cl.**  
USPC ..... **D12/112**

(58) **Field of Classification Search**  
USPC ..... D12/112; 280/1.5, 7.15, 14.21, 14.27,  
280/14.28, 200, 210, 272, 282, 278, 281.1,  
280/288.1-288.3, 263, 270, 271, 259, 211,  
280/47.11

See application file for complete search history.

(56) **References Cited**

**U.S. PATENT DOCUMENTS**

90,797	A	6/1869	Thompson	
396,083	A	1/1889	Harris	
3,561,788	A *	2/1971	Carlson et al.	280/461.1
3,698,502	A	10/1972	Patin	
4,052,082	A	10/1977	Jones et al.	
4,634,137	A *	1/1987	Cocksedge	280/256
5,328,193	A *	7/1994	Shiew	280/87.041

D396,833	S *	8/1998	Eidt et al.	D12/112
D567,720	S *	4/2008	Graham	D12/128
7,543,829	B1 *	6/2009	Barnes	280/62
7,954,838	B1 *	6/2011	Long	280/288.4
8,201,838	B2 *	6/2012	Abel et al.	280/87.041
2010/0230925	A1 *	9/2010	Thielbar	280/221

**OTHER PUBLICATIONS**

Book: "Bicycle—The History", D.V. Herlihy, 2004, 5 pages.

\* cited by examiner

*Primary Examiner* — Susan M Lee

*Assistant Examiner* — Linda G Brooks

(74) *Attorney, Agent, or Firm* — Schneck & Schneck; David M. Schneck

(57) **CLAIM**

The ornamental design for a pedestrian cycle, as shown.

**DESCRIPTION**

FIG. 1 is a front perspective view of a pedestrian cycle showing my new design;

FIG. 2 is a back perspective view thereof;

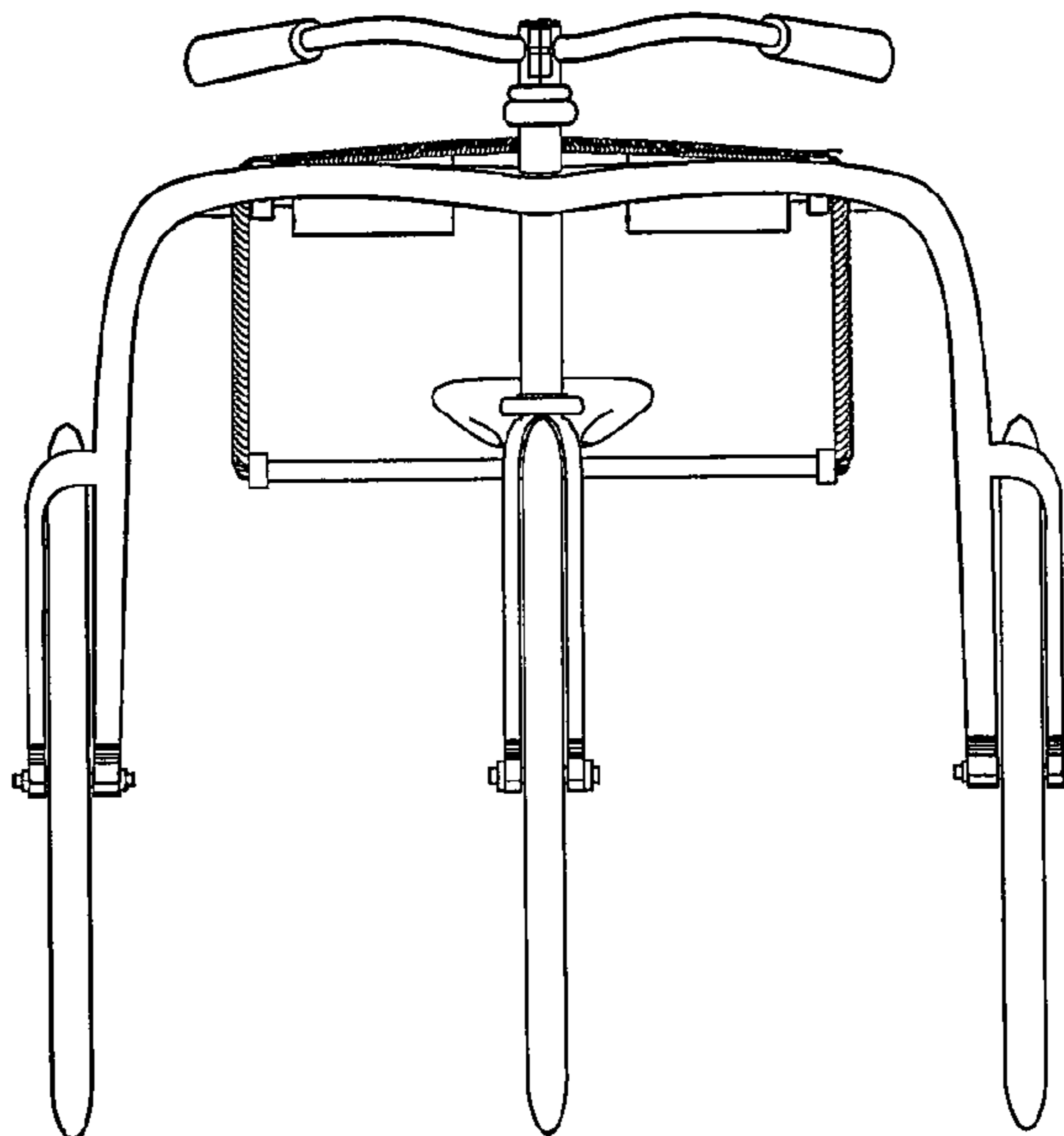
FIG. 3 is a right side view thereof;

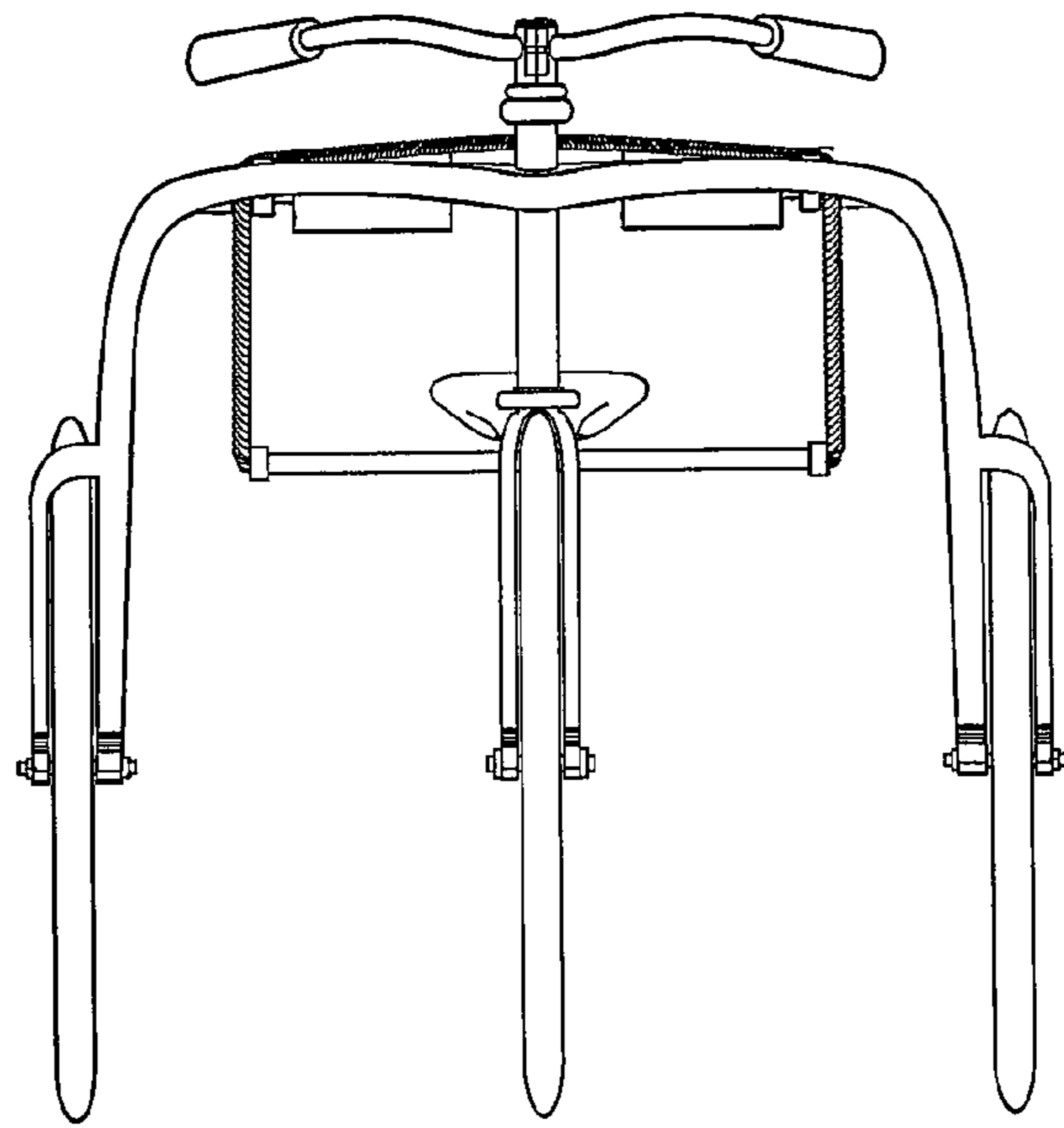
FIG. 4 is a left side view thereof;

FIG. 5 is a top view thereof; and,

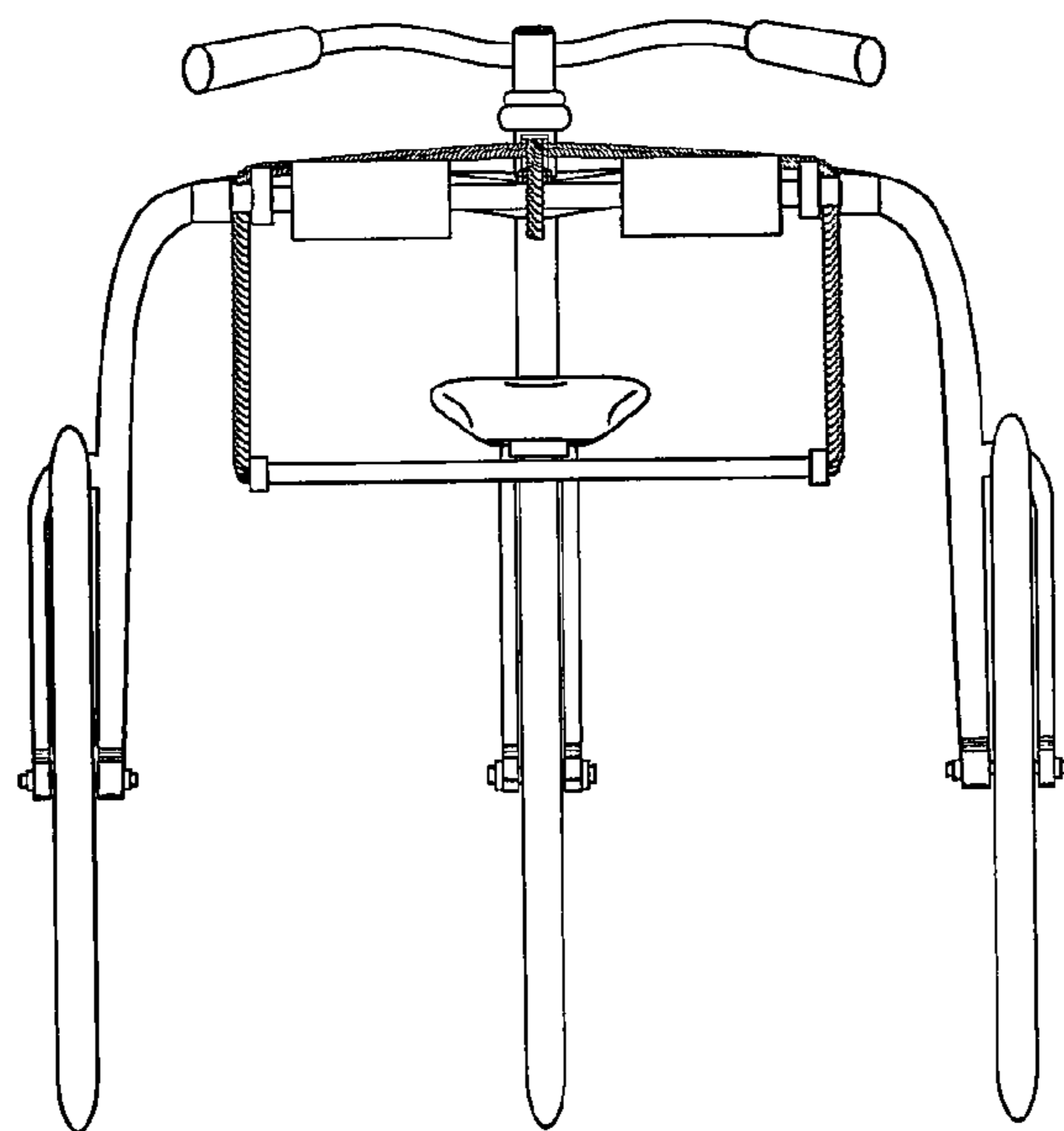
FIG. 6 is a bottom view thereof.

**1 Claim, 3 Drawing Sheets**

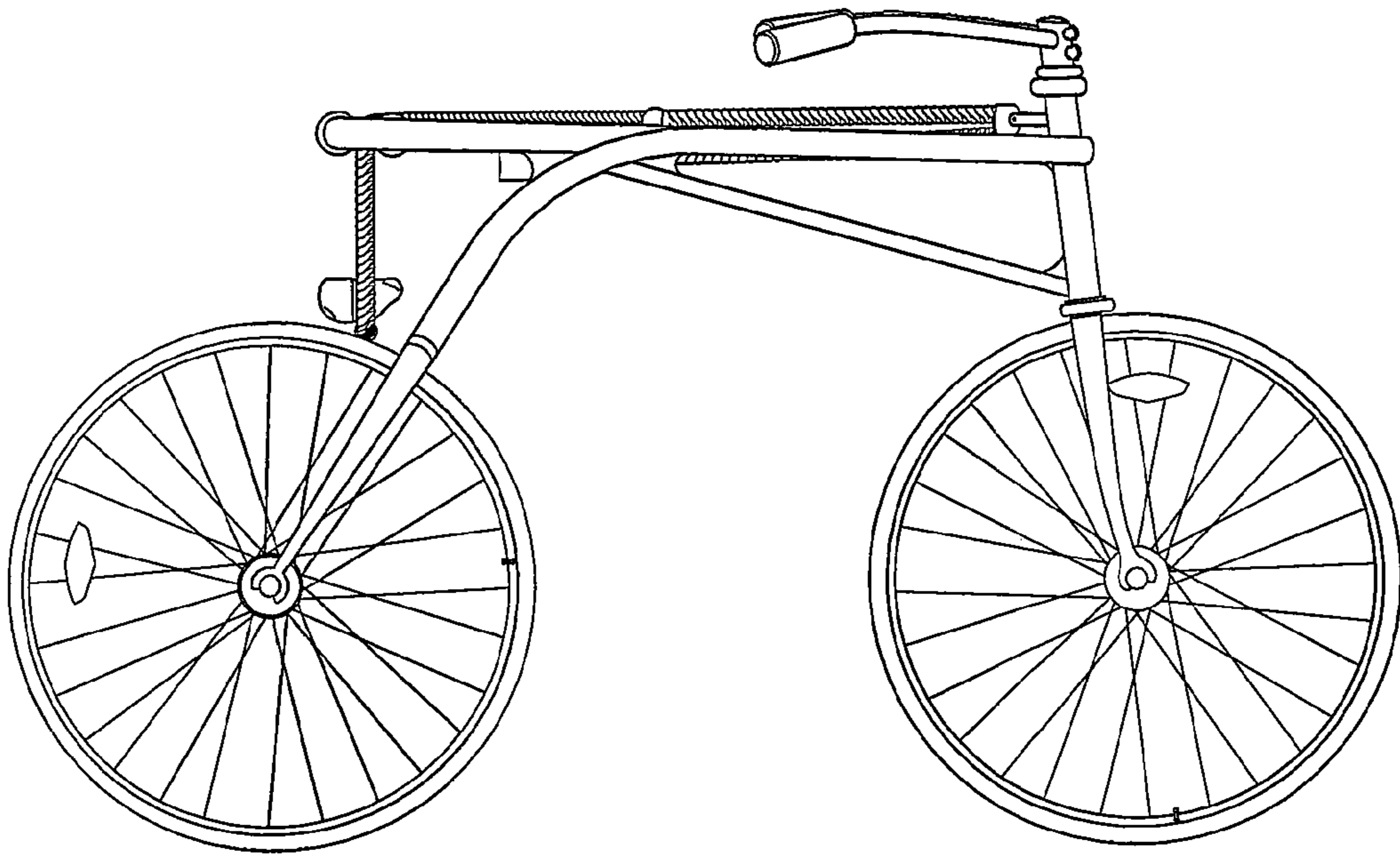




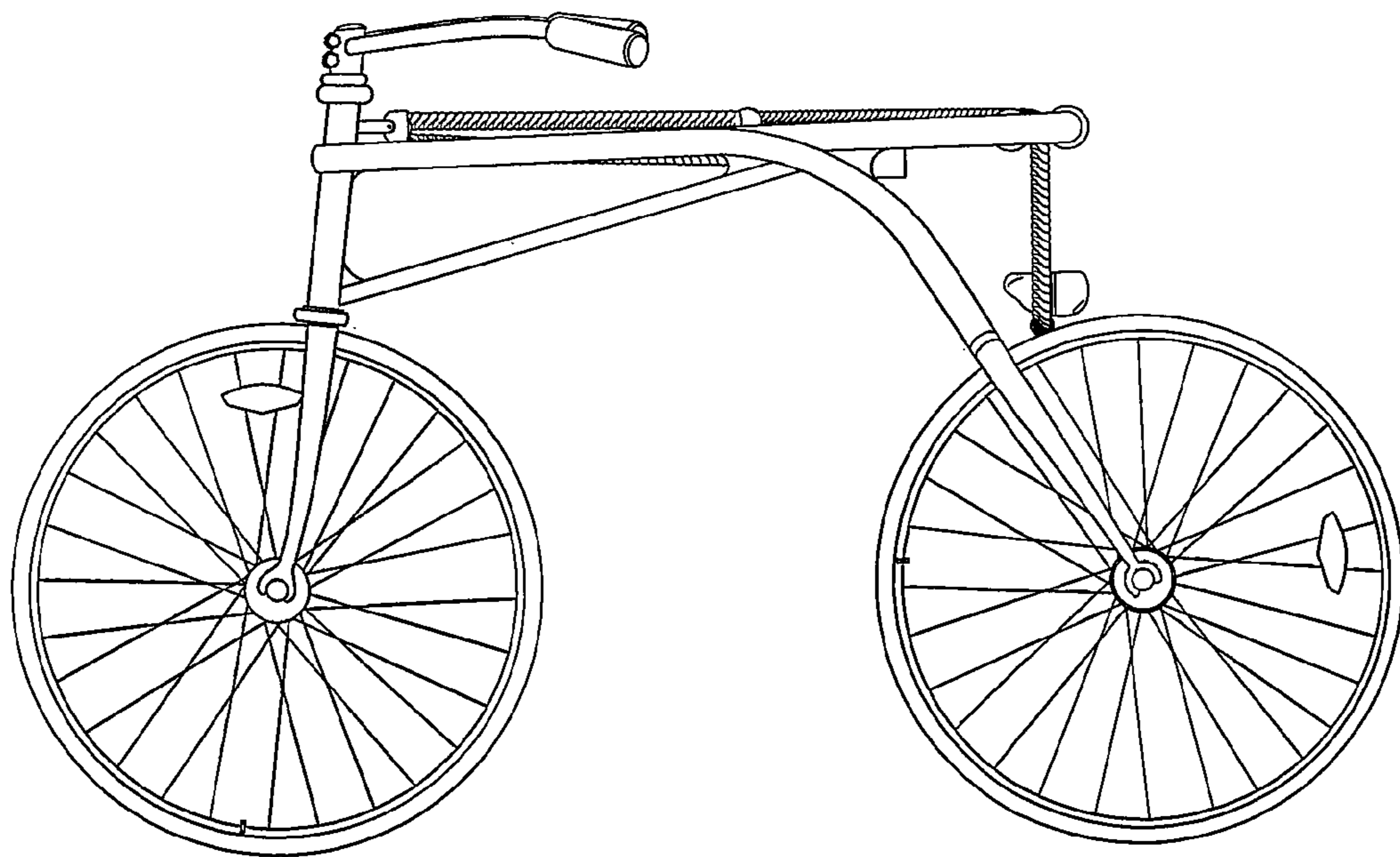
*Fig. 1*



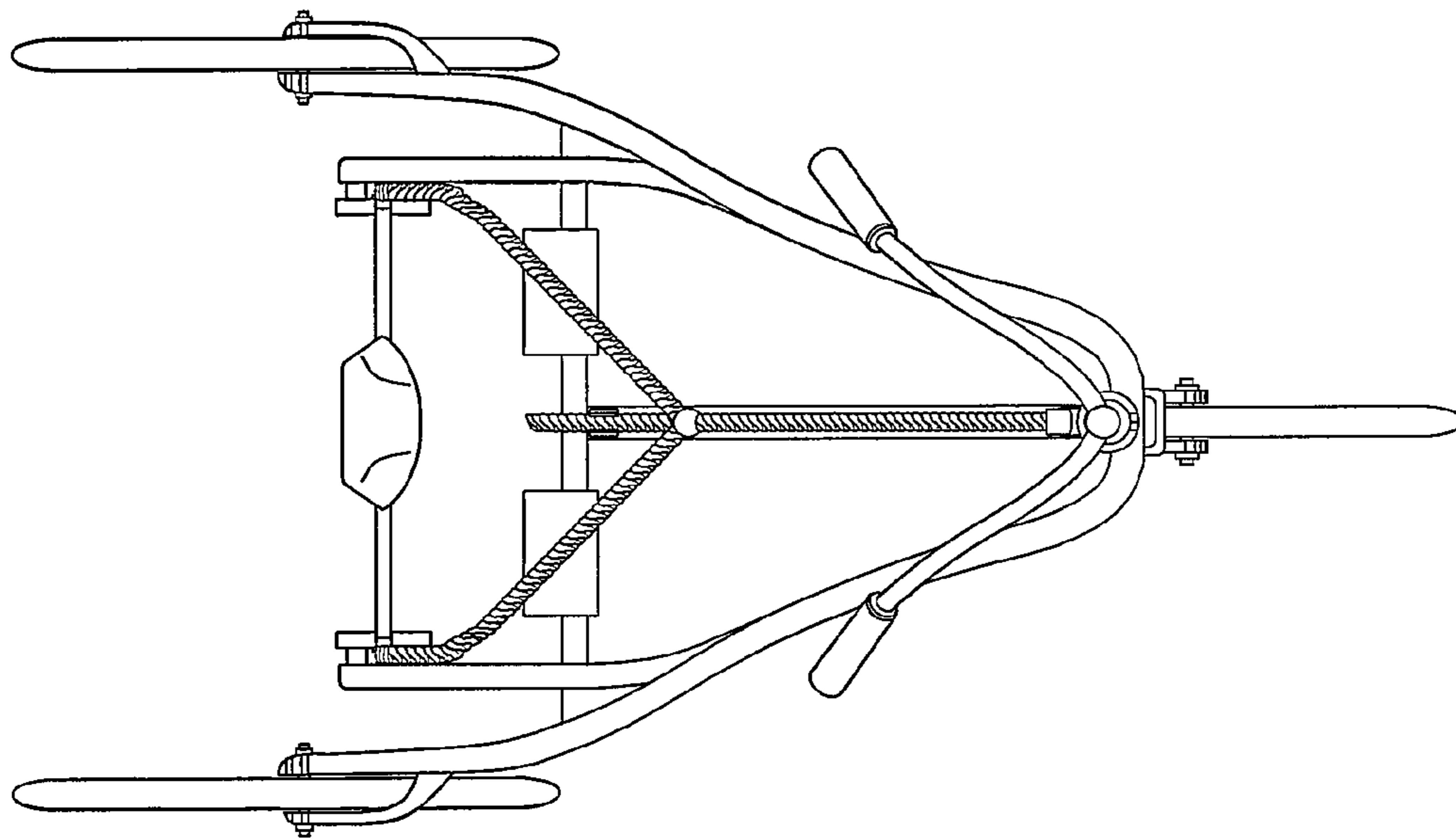
*Fig. 2*



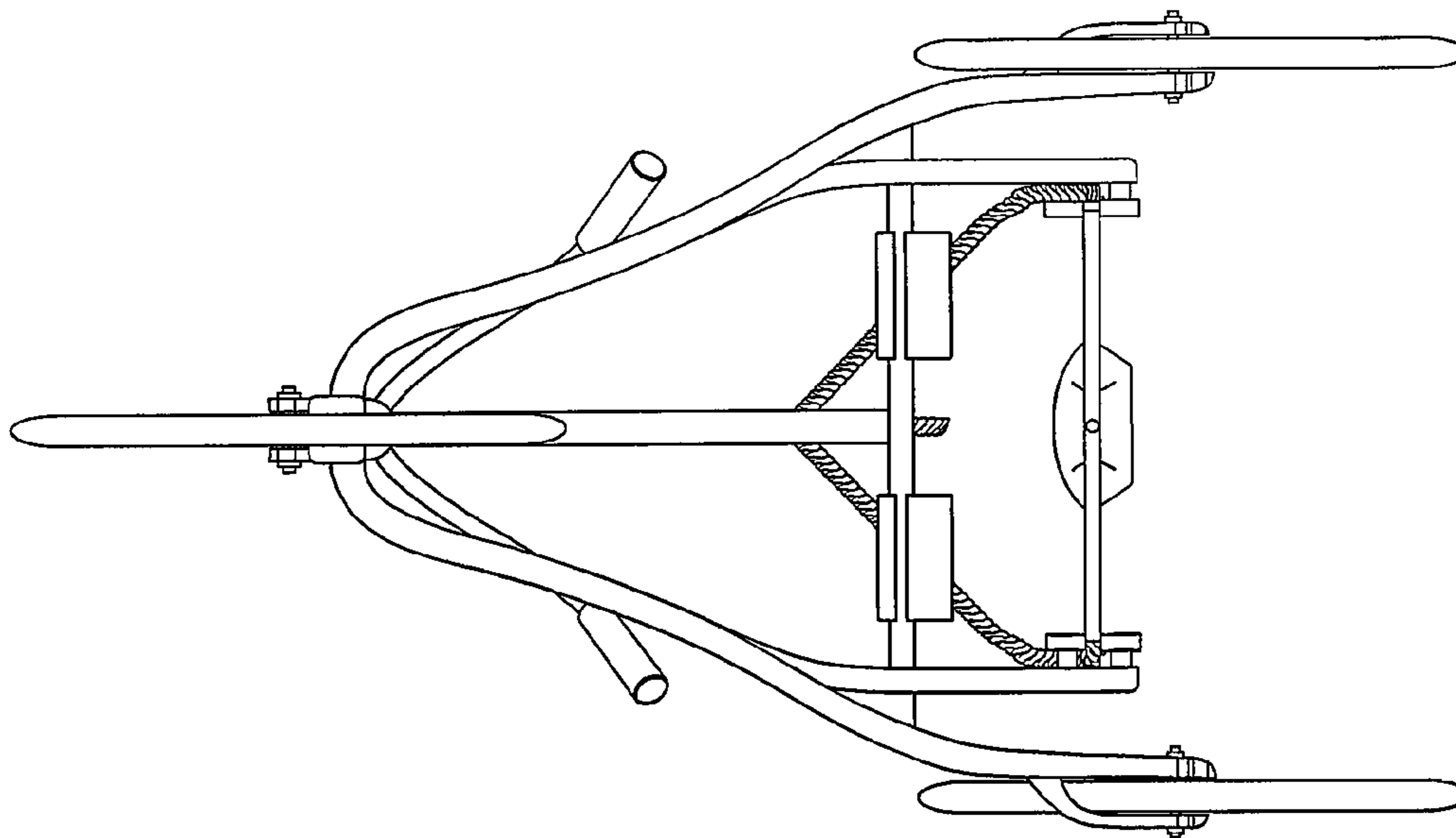
*Fig. 3*



*Fig. 4*



*Fig. 5*



*Fig. 6*