

US00D685681S

(12) **United States Design Patent**  
**Takeda**

(10) **Patent No.:** **US D685,681 S**  
(45) **Date of Patent:** **\*\* Jul. 9, 2013**

- (54) **FOUR WHEELED VEHICLE**
- (71) Applicant: **Susumu Takeda**, Tokyo-to (JP)
- (72) Inventor: **Susumu Takeda**, Tokyo-to (JP)
- (73) Assignee: **Yamaha Hatsudoki Kabushiki Kaisha**  
(JP)
- (\*\*) Term: **14 Years**
- (21) Appl. No.: **29/437,468**
- (22) Filed: **Nov. 16, 2012**
- (51) **LOC (9) Cl.** ..... **12-11**
- (52) **U.S. Cl.**  
USPC ..... **D12/107**
- (58) **Field of Classification Search**  
USPC ..... D12/107, 3, 86, 87, 110; 180/223,  
180/225, 233, 229, 311, 312, 315  
See application file for complete search history.

- D517,450 S \* 3/2006 Wu ..... D12/107
- D529,413 S \* 10/2006 Basset et al. .... D12/107
- D596,533 S \* 7/2009 Mikami et al. .... D12/107
- D596,534 S \* 7/2009 Tashiro ..... D12/107
- D602,812 S \* 10/2009 Kinoshita ..... D12/107
- D670,616 S \* 11/2012 Hobo ..... D12/107

\* cited by examiner

*Primary Examiner* — Susan M Lee

*Assistant Examiner* — Linda G Brooks

(74) *Attorney, Agent, or Firm* — Ostrolenk Faber LLP

(57) **CLAIM**

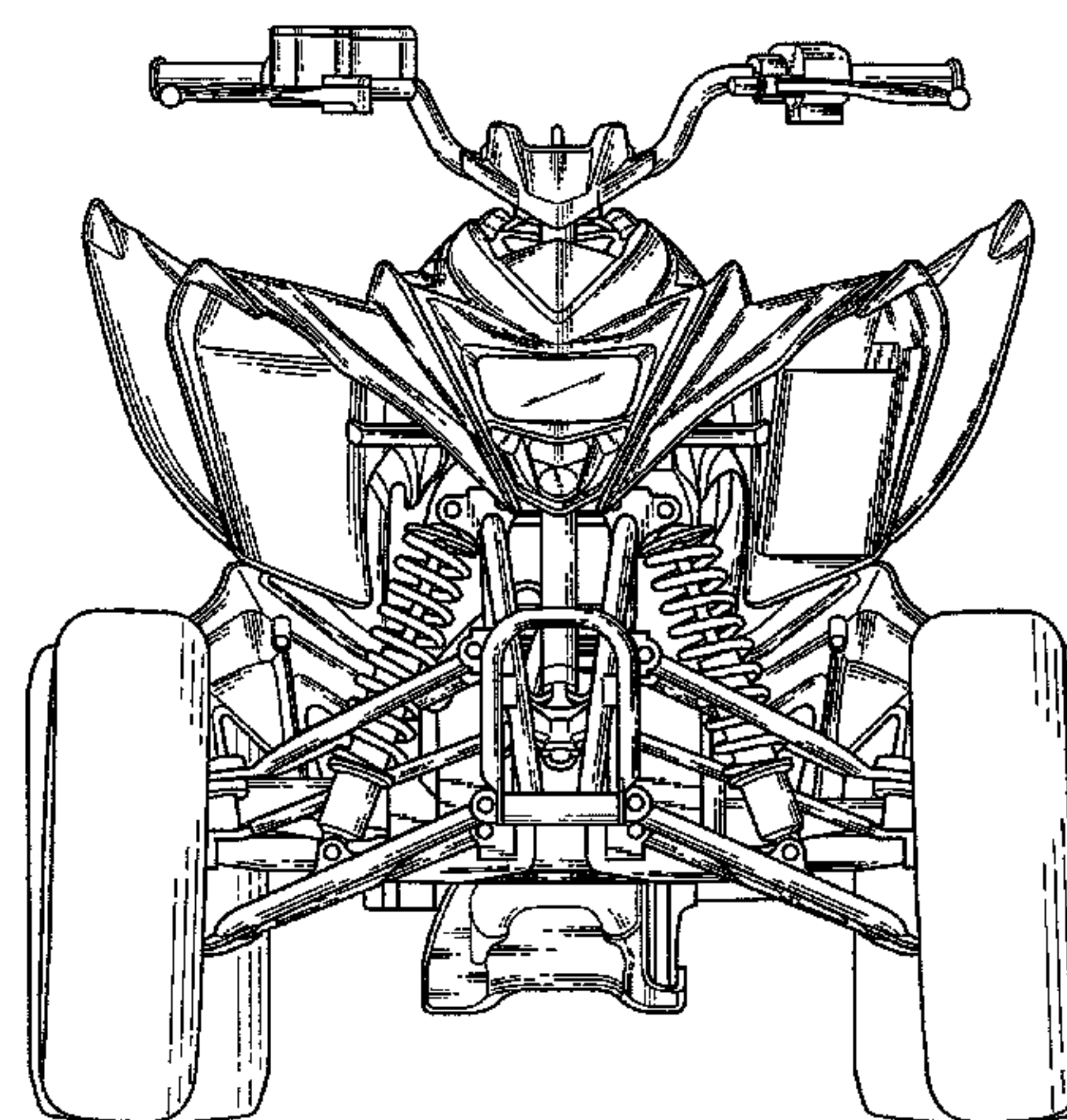
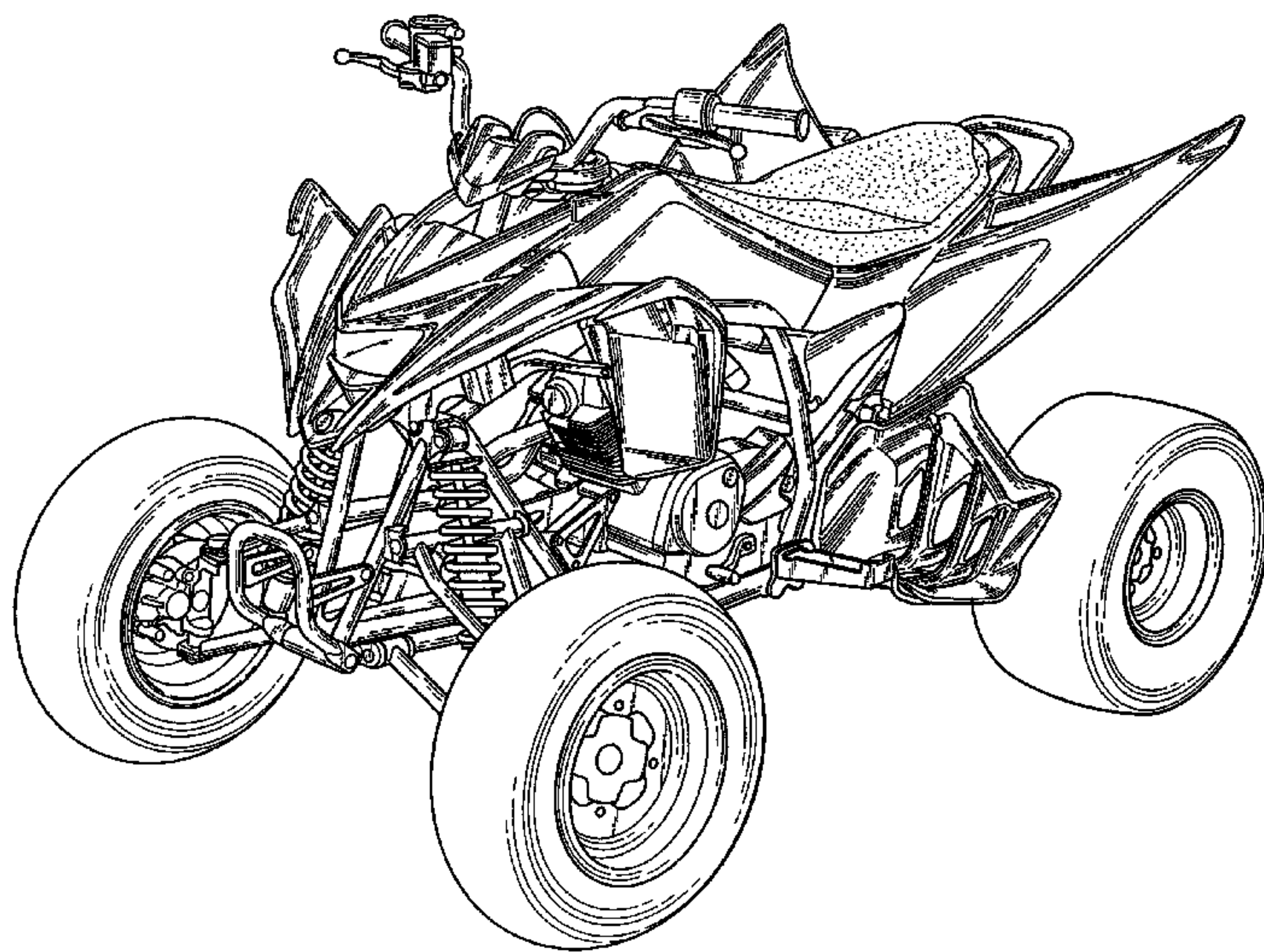
The ornamental design for a four wheeled vehicle, as shown.

**DESCRIPTION**

FIG. 1 is a left side, front, perspective view of a four wheeled vehicle showing my new design;  
 FIG. 2 is a right side, rear perspective view thereof;  
 FIG. 3 is a front view thereof;  
 FIG. 4 is a rear view thereof;  
 FIG. 5 is a right side view thereof;  
 FIG. 6 is a left side view thereof;  
 FIG. 7 is a top view thereof; and,  
 FIG. 8 is a bottom view thereof.

**1 Claim, 8 Drawing Sheets**

- (56) **References Cited**  
U.S. PATENT DOCUMENTS  
D512,001 S \* 11/2005 Kato et al. .... D12/107  
D515,978 S \* 2/2006 Luh ..... D12/107  
D516,960 S \* 3/2006 Luh ..... D12/107





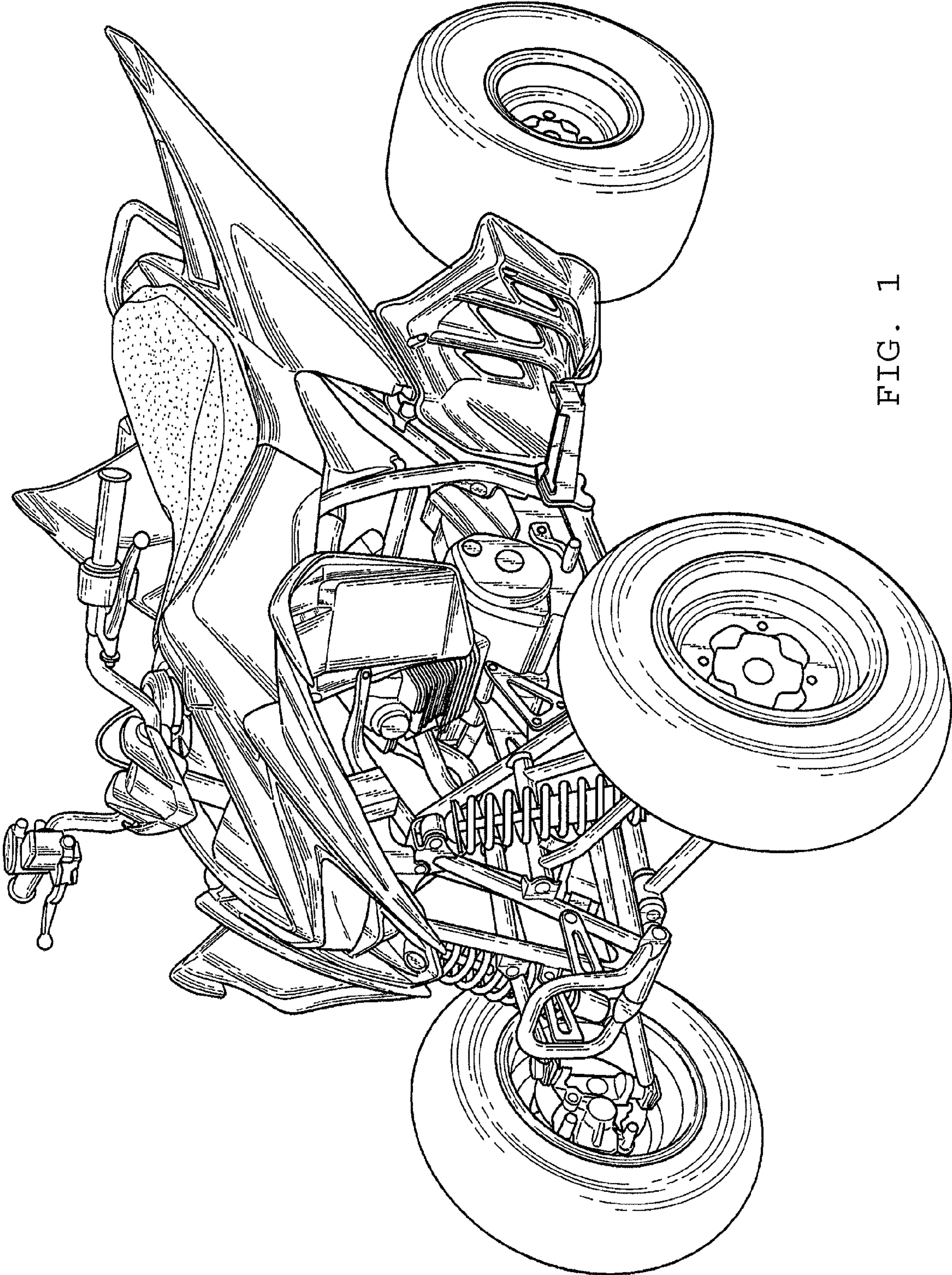


FIG. 1



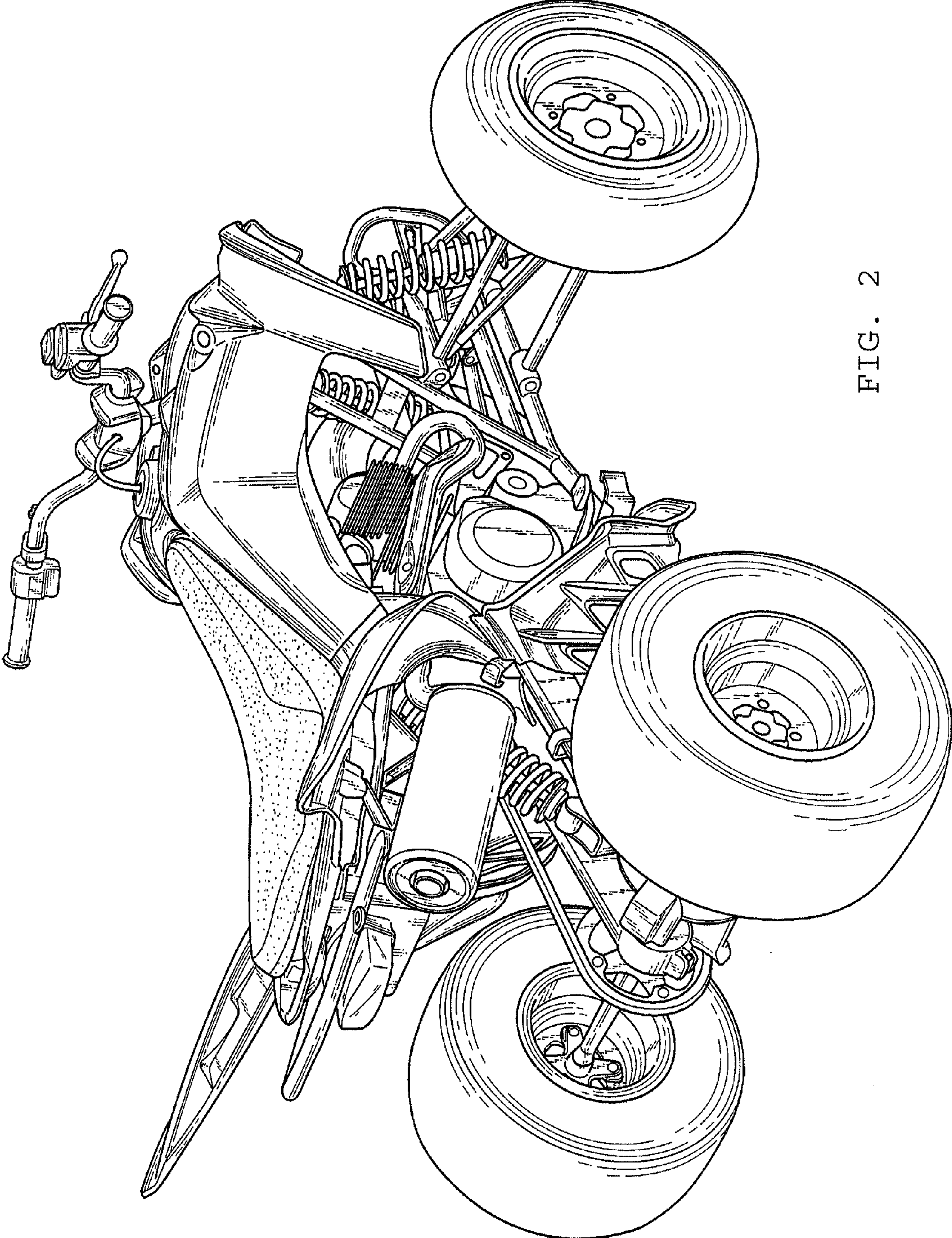


FIG. 2

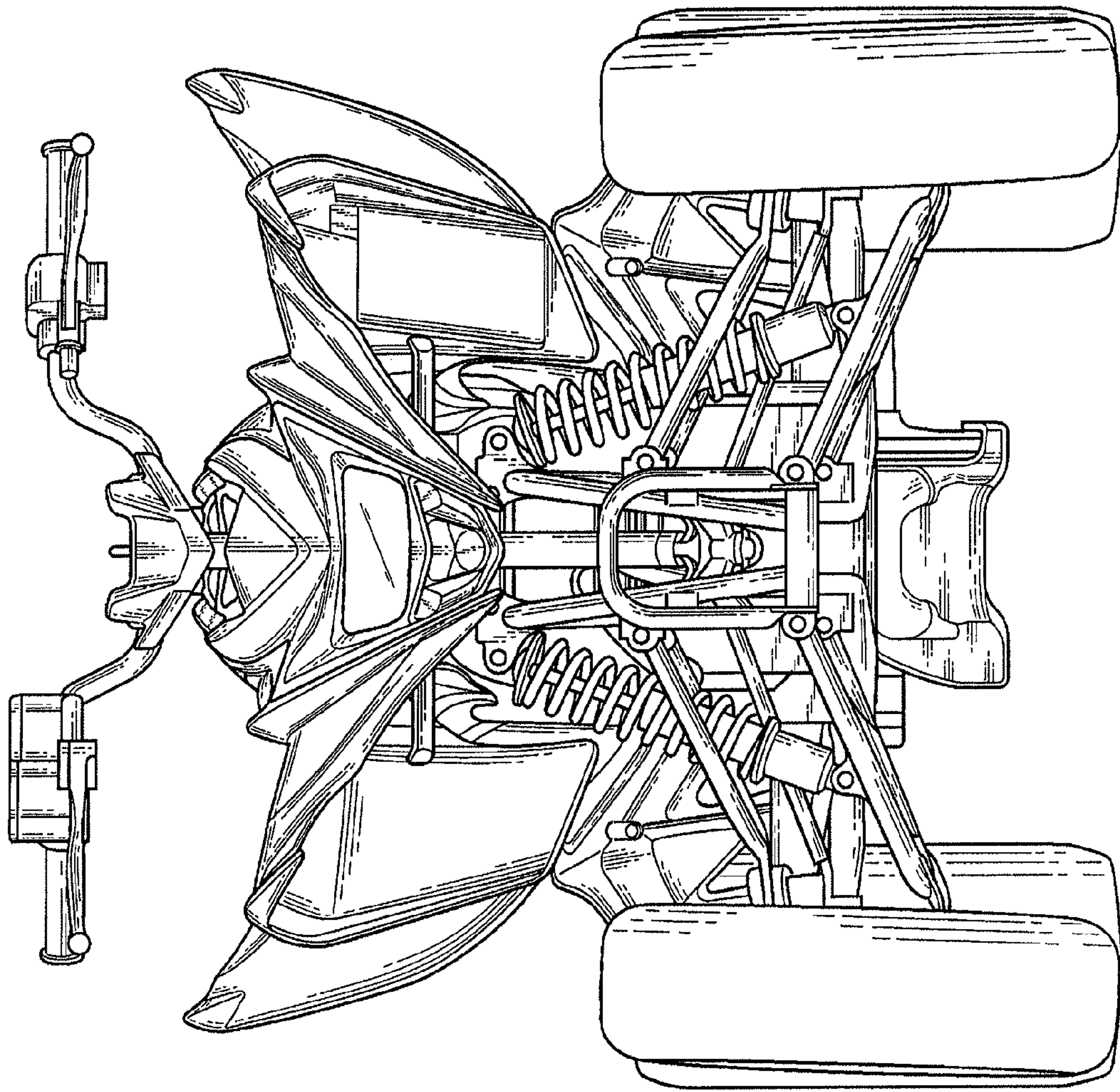


FIG. 3



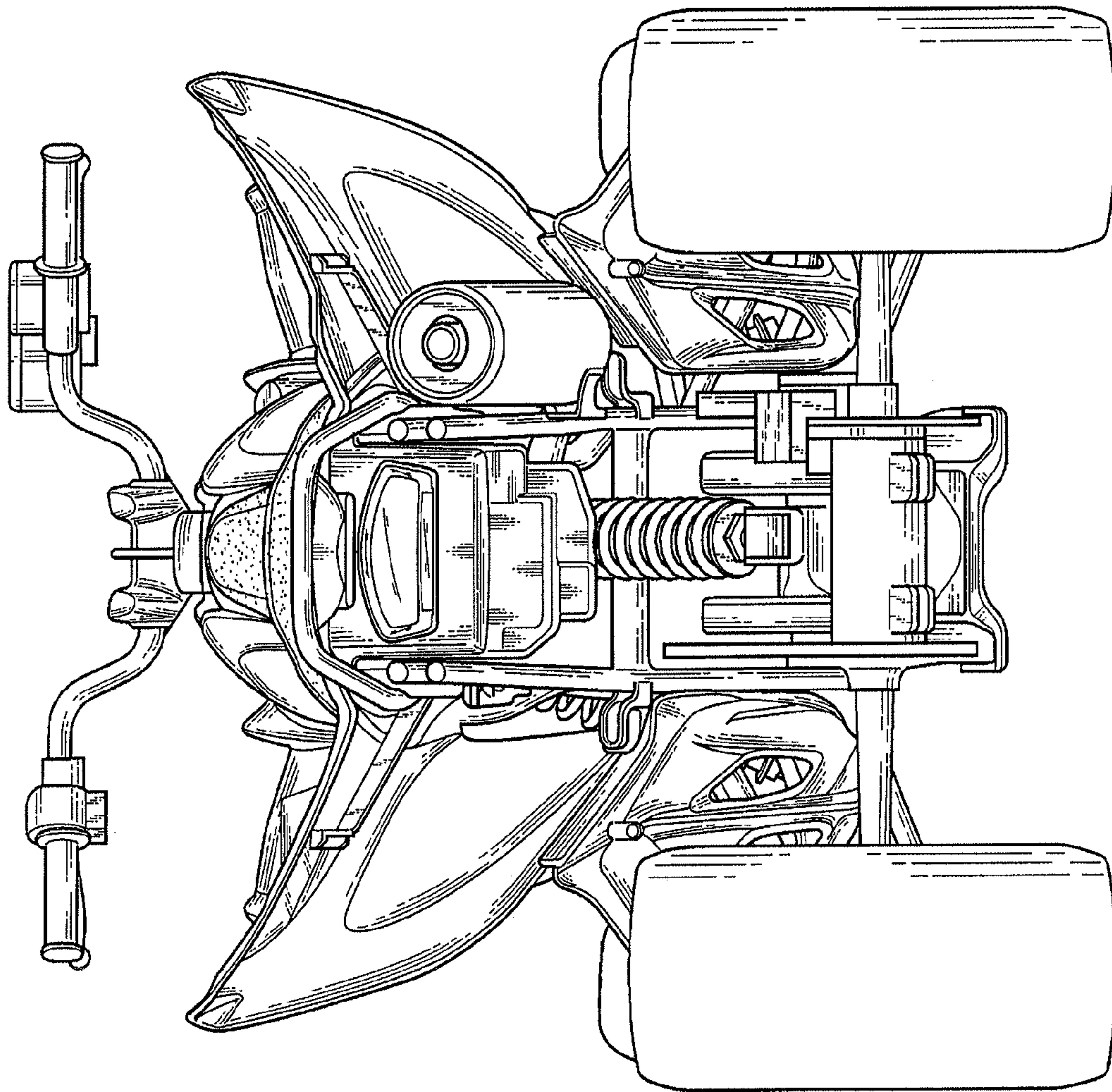


FIG. 4

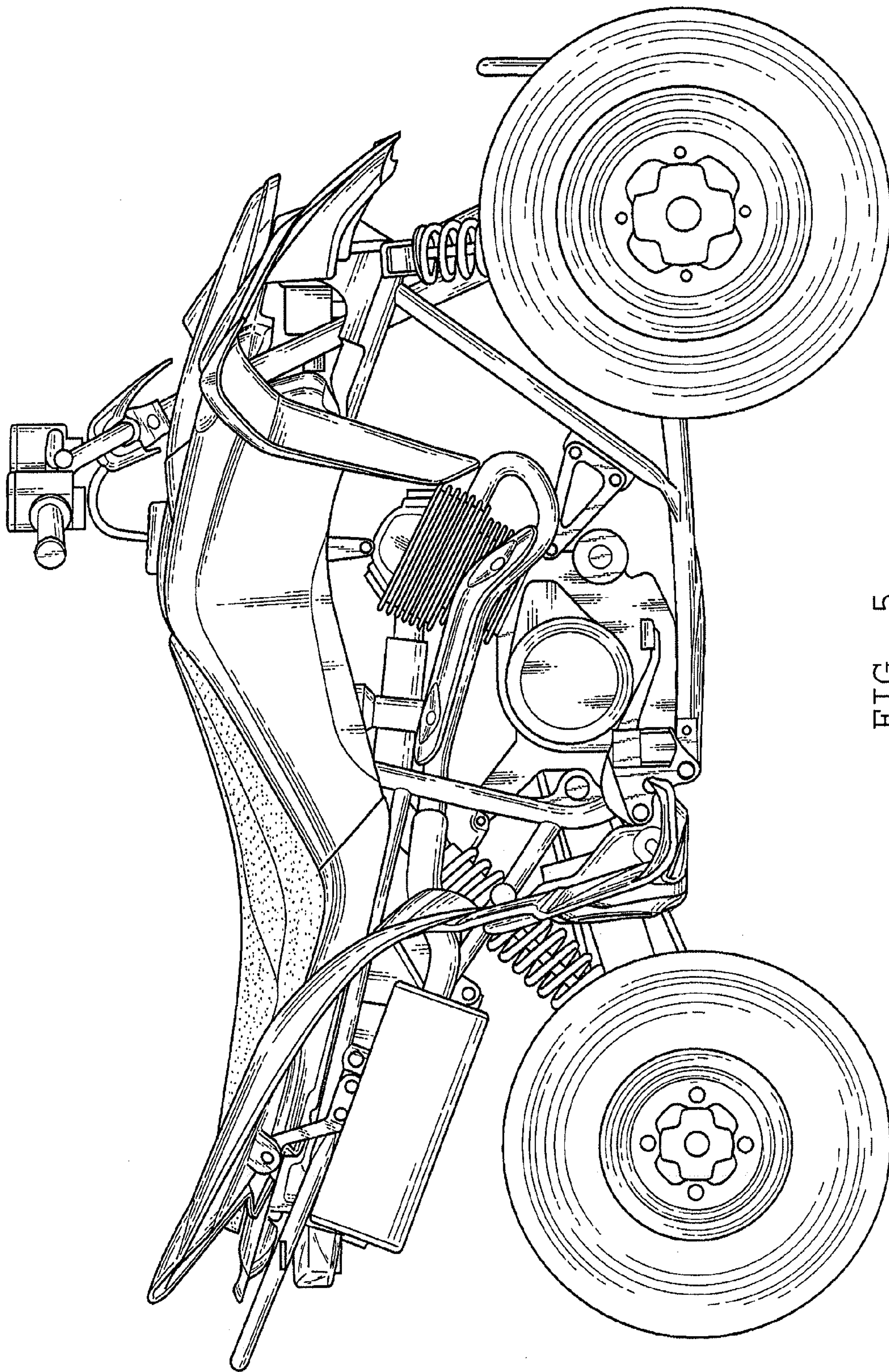


FIG. 5



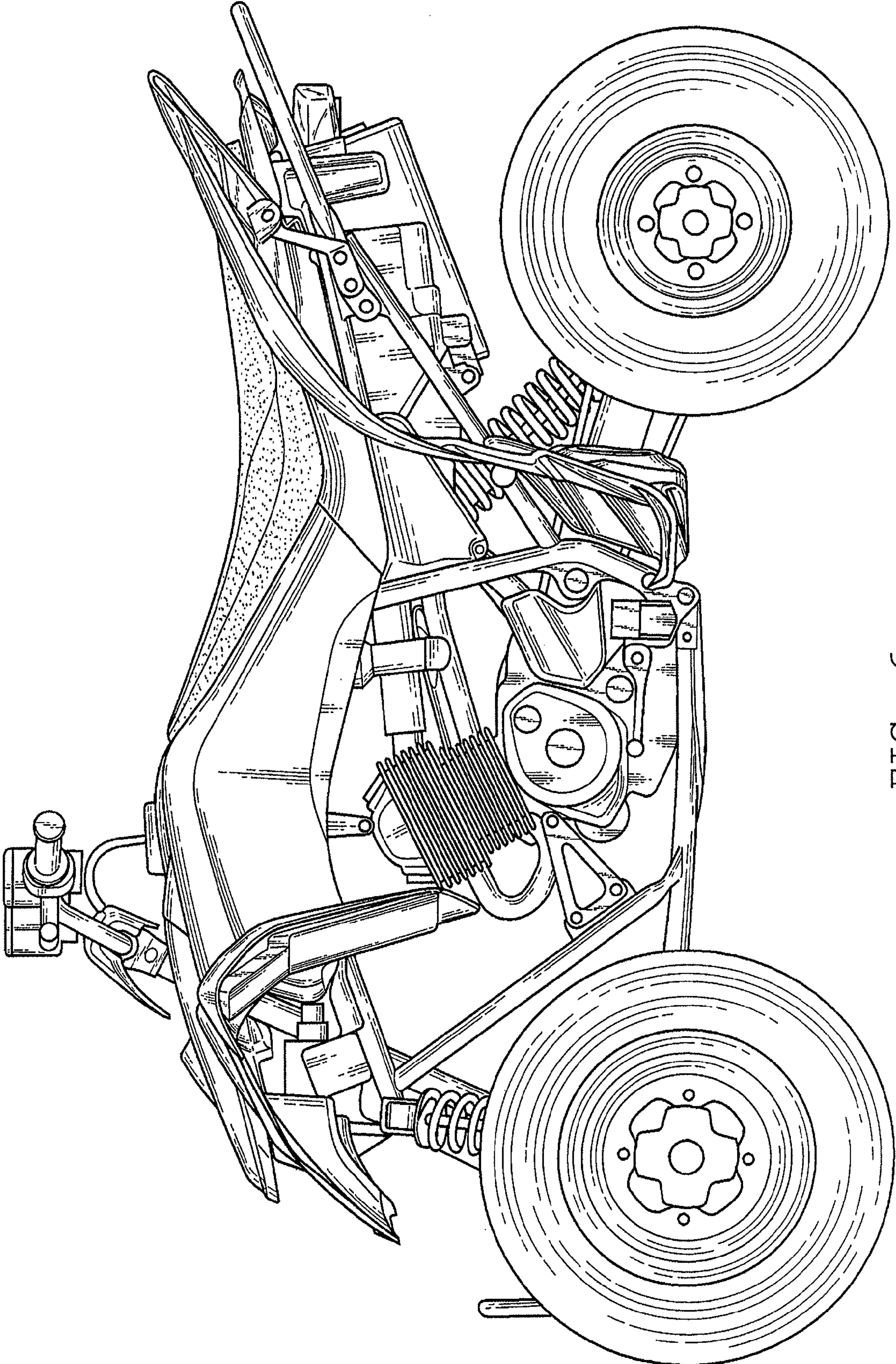


FIG. 6



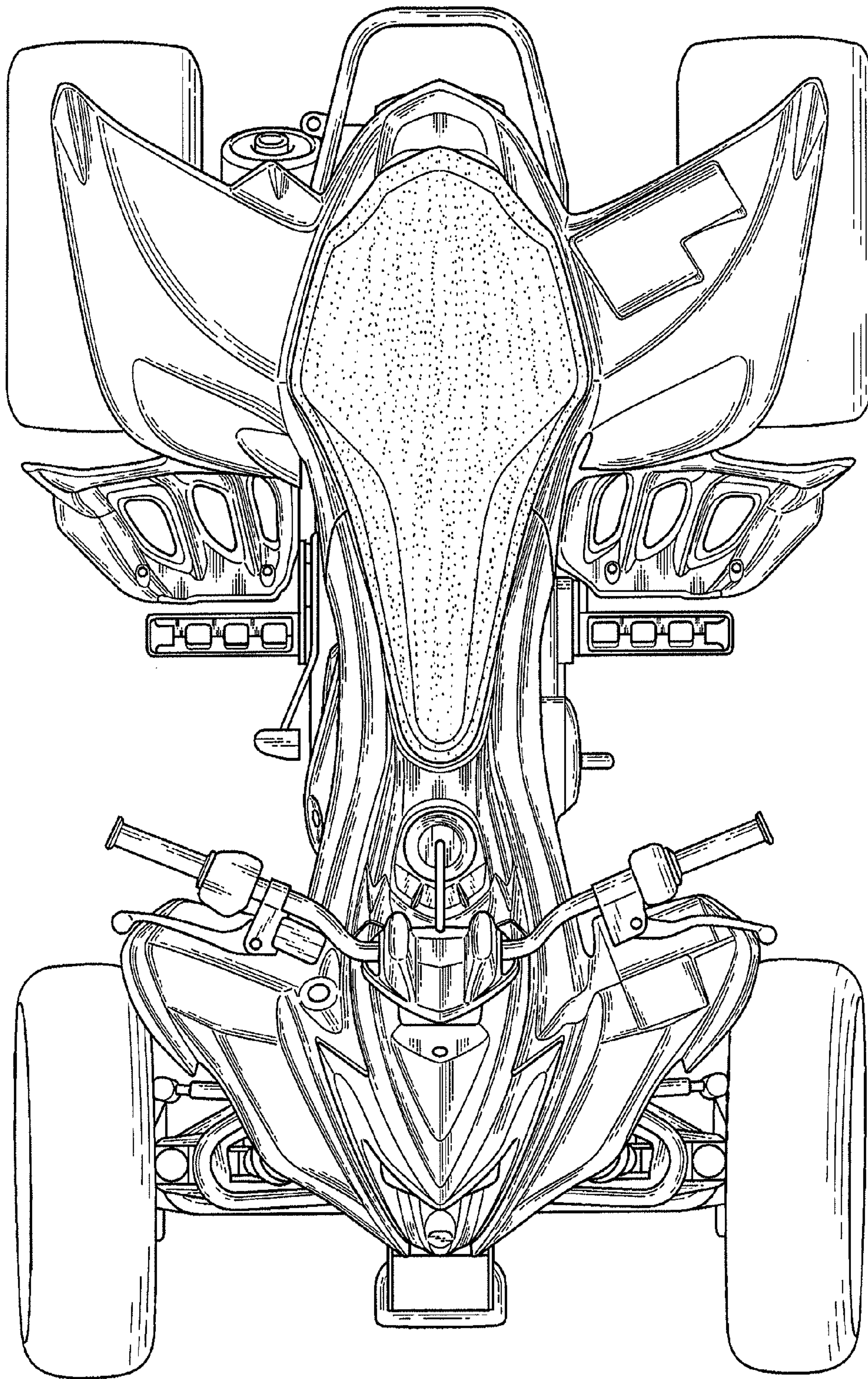


FIG. 7



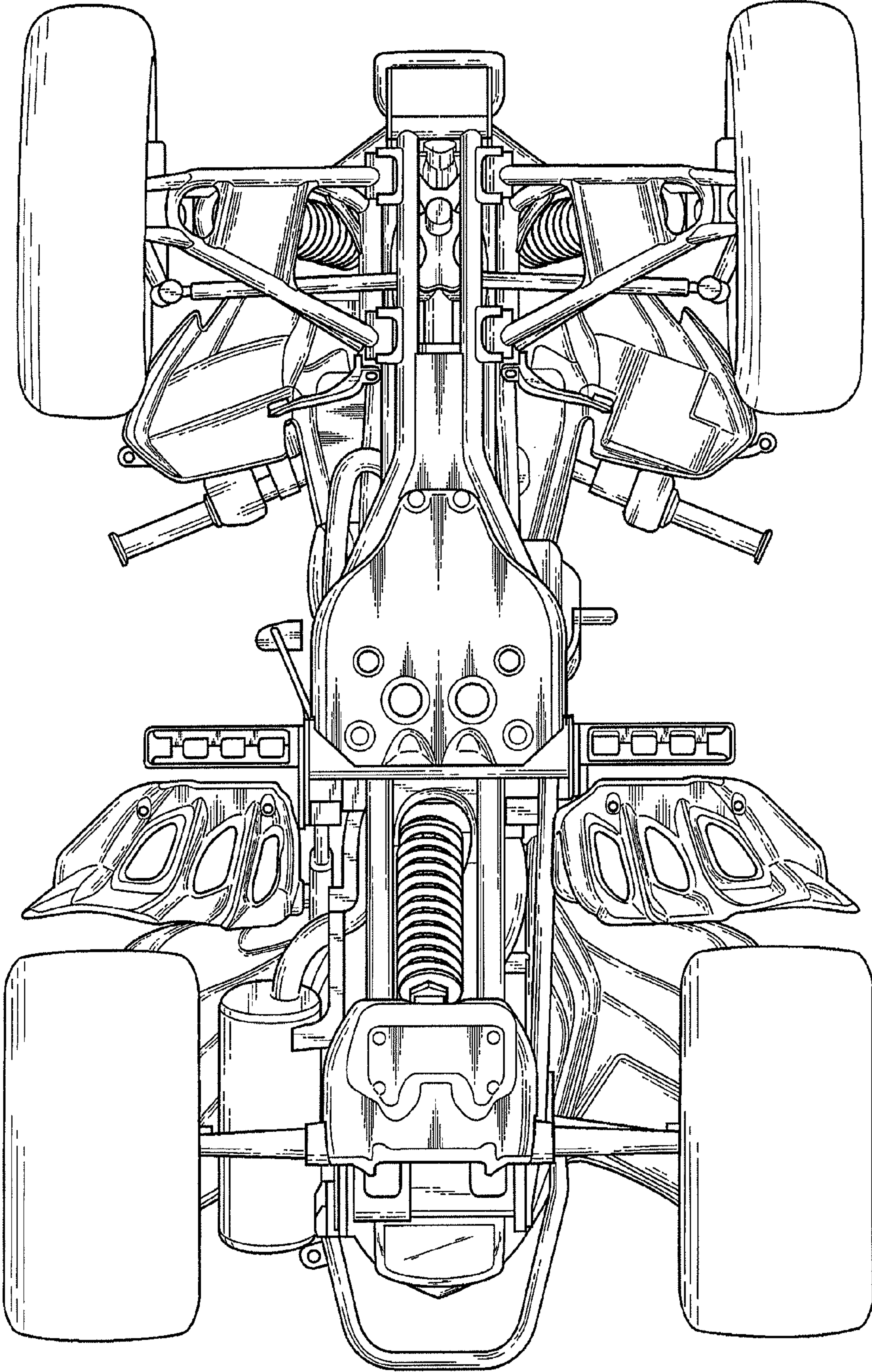


FIG. 8