



US00D685680S

(12) **United States Design Patent**
Takeda

(10) **Patent No.:** **US D685,680 S**
(45) **Date of Patent:** **** Jul. 9, 2013**

- (54) **FOUR WHEELED VEHICLE**
- (71) Applicant: **Susumu Takeda**, Tokyo-to (JP)
- (72) Inventor: **Susumu Takeda**, Tokyo-to (JP)
- (73) Assignee: **Yamaha Hatsudoki Kabushiki Kaisha**
(JP)
- (**) Term: **14 Years**
- (21) Appl. No.: **29/437,467**
- (22) Filed: **Nov. 16, 2012**
- (51) **LOC (9) Cl.** **12-11**
- (52) **U.S. Cl.**
USPC **D12/107**
- (58) **Field of Classification Search**
USPC D12/107, 3, 86, 87, 110; 180/223,
180/225, 233, 229, 311, 312, 315
See application file for complete search history.

- D517,450 S * 3/2006 Wu D12/107
- D529,413 S * 10/2006 Basset et al. D12/107
- D596,533 S * 7/2009 Mikami et al. D12/107
- D596,534 S * 7/2009 Tashiro D12/107
- D602,812 S * 10/2009 Kinoshita D12/107
- D670,616 S * 11/2012 Hobo D12/107

* cited by examiner

Primary Examiner — Susan M Lee

Assistant Examiner — Linda G Brooks

(74) *Attorney, Agent, or Firm* — Ostrolenk Faber LLP

(57) **CLAIM**

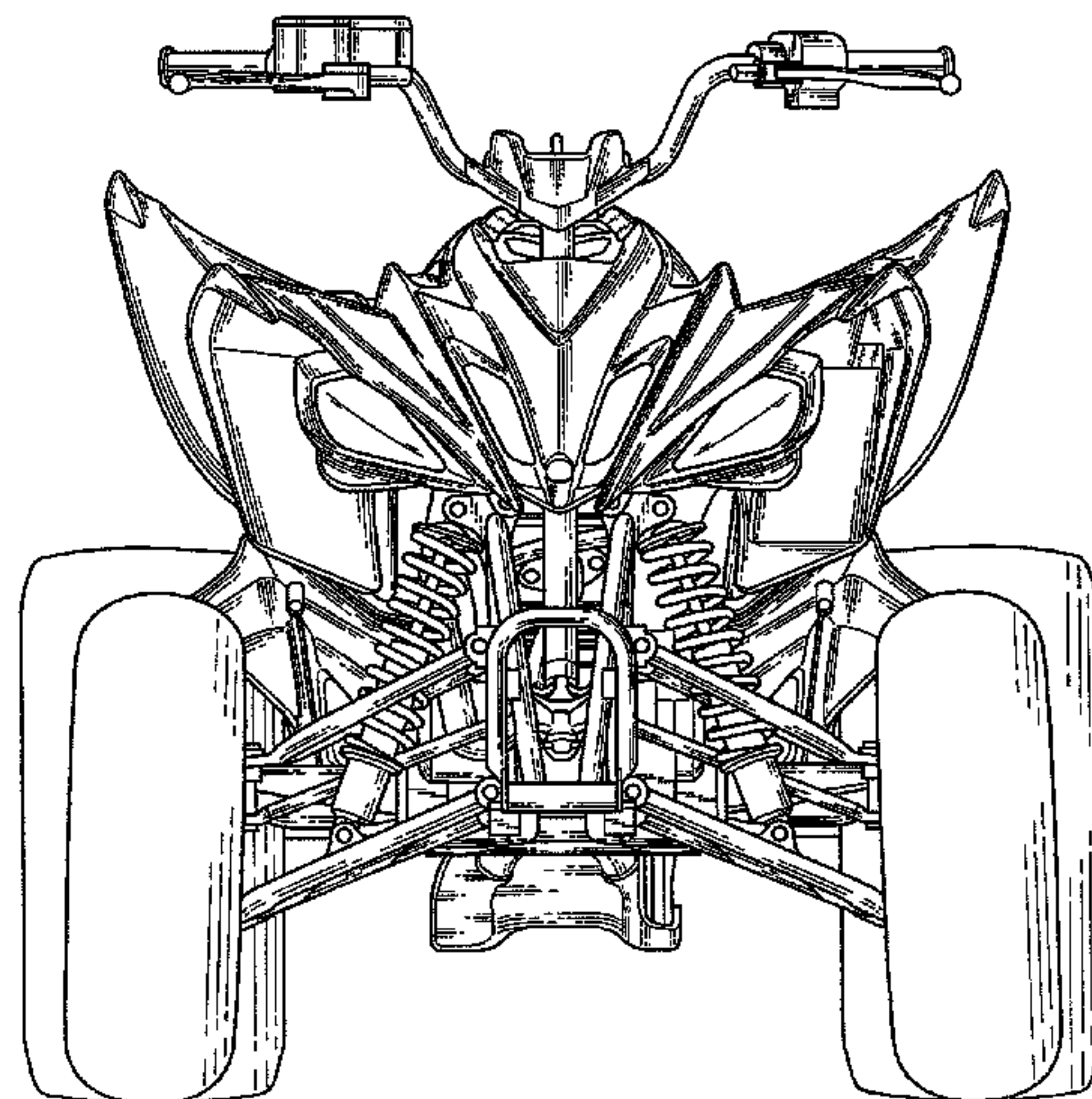
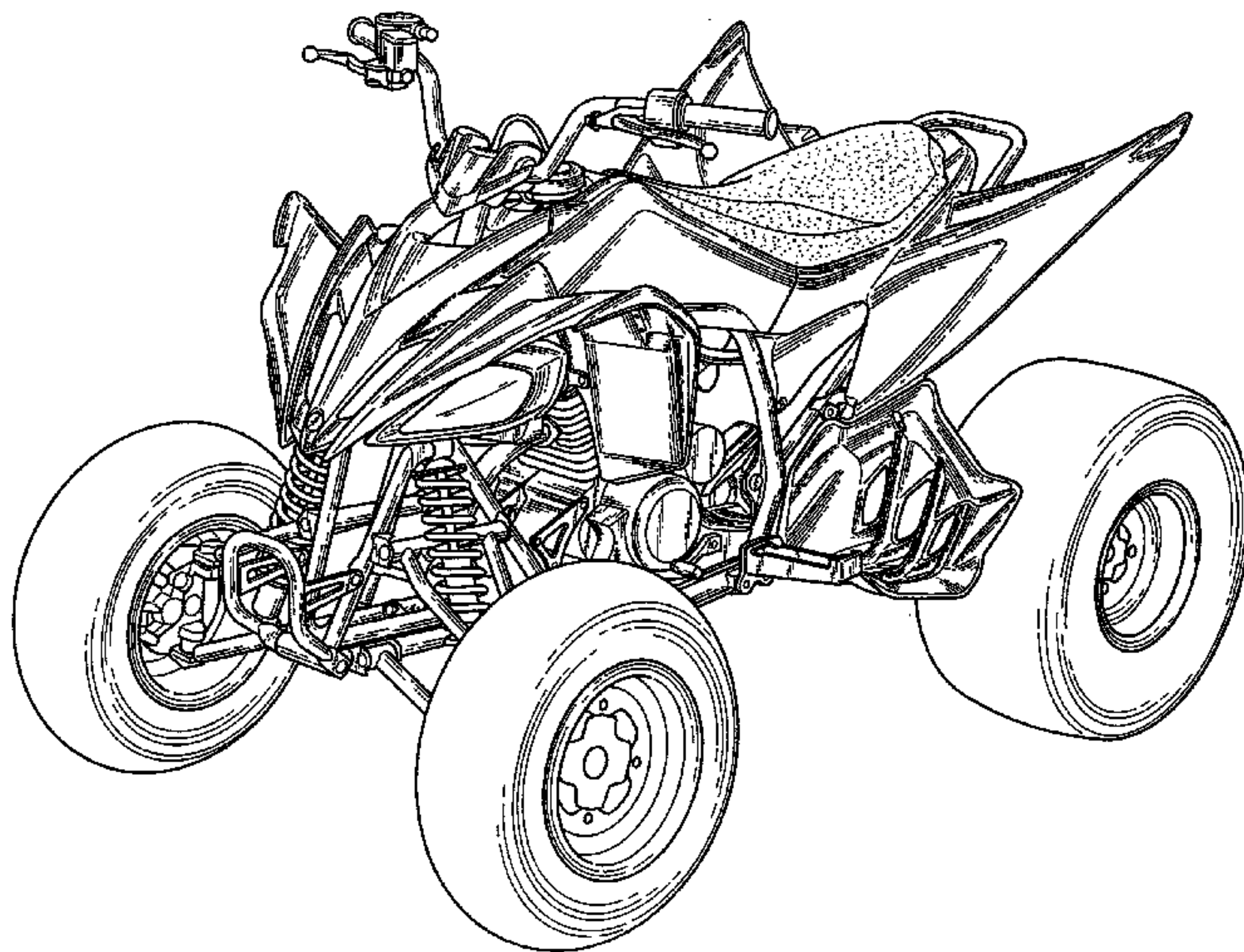
The ornamental design for a four wheeled vehicle, as shown.

DESCRIPTION

FIG. 1 is a left side, front, perspective view of a four wheeled vehicle showing my new design;
 FIG. 2 is a right side, rear perspective view thereof;
 FIG. 3 is a front view thereof;
 FIG. 4 is a rear view thereof;
 FIG. 5 is a right side view thereof;
 FIG. 6 is a left side view thereof;
 FIG. 7 is a top view thereof; and,
 FIG. 8 is a bottom view thereof.

1 Claim, 8 Drawing Sheets

- (56) **References Cited**
U.S. PATENT DOCUMENTS
D512,001 S * 11/2005 Kato et al. D12/107
D515,978 S * 2/2006 Luh D12/107
D516,960 S * 3/2006 Luh D12/107



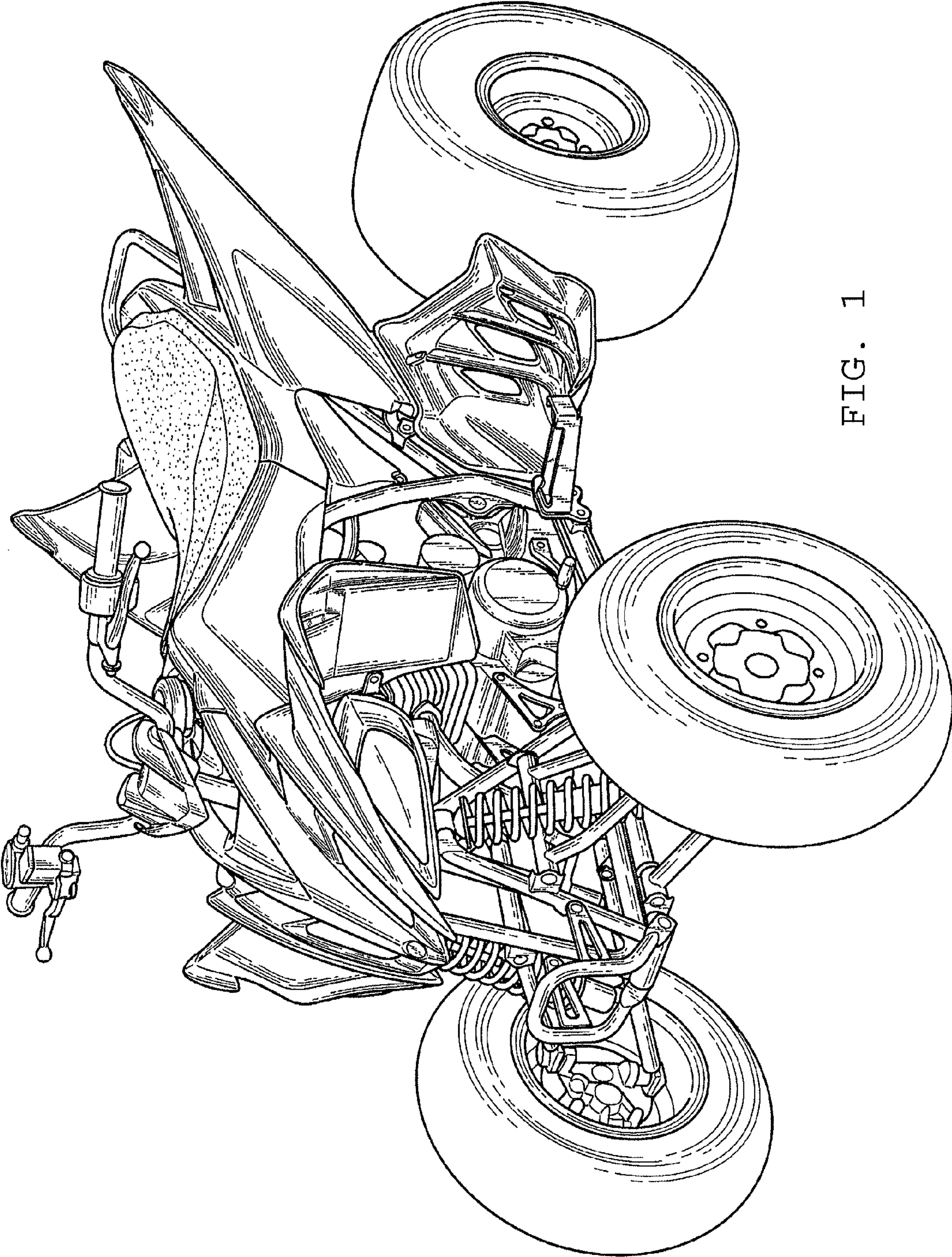


FIG. 1

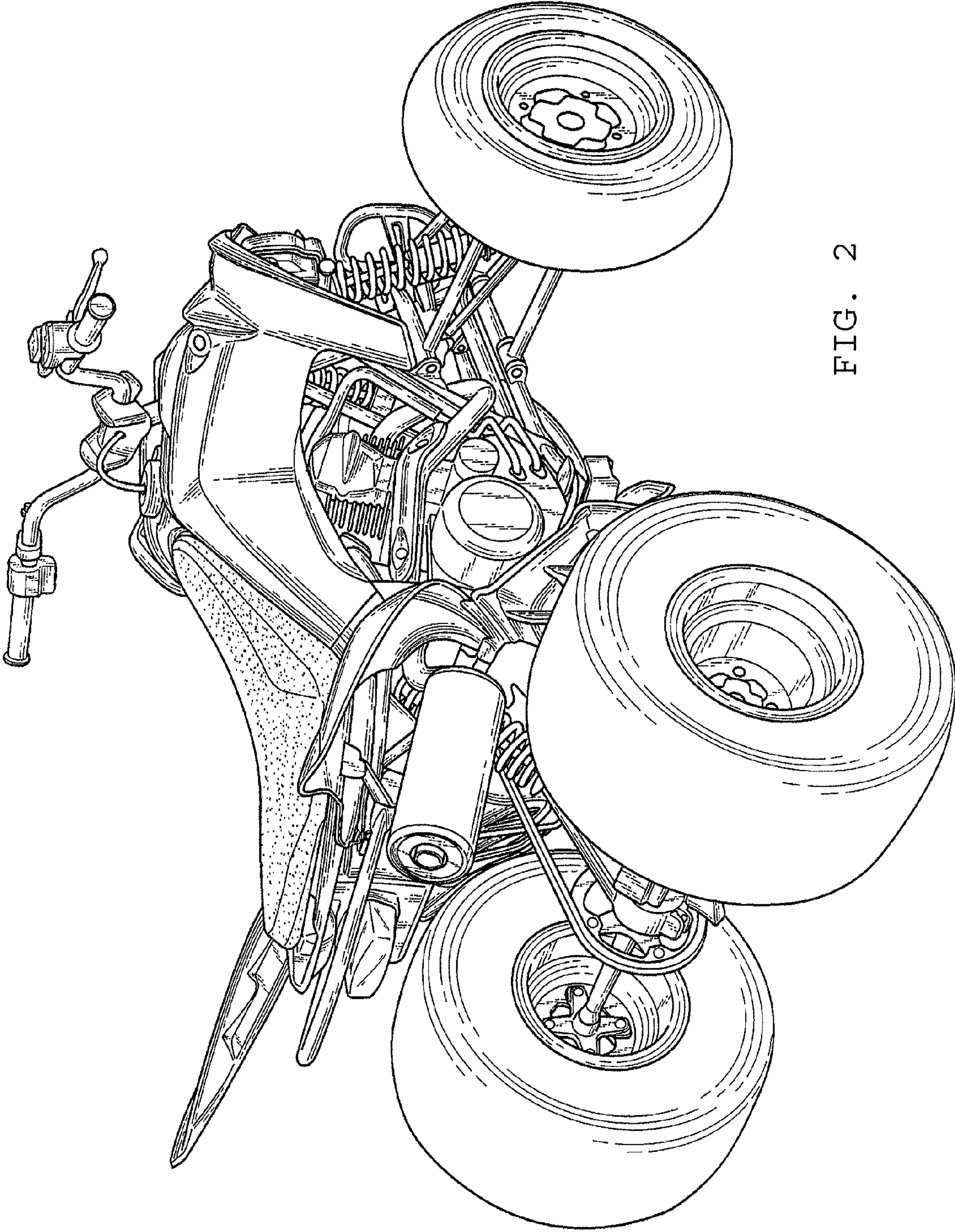


FIG. 2

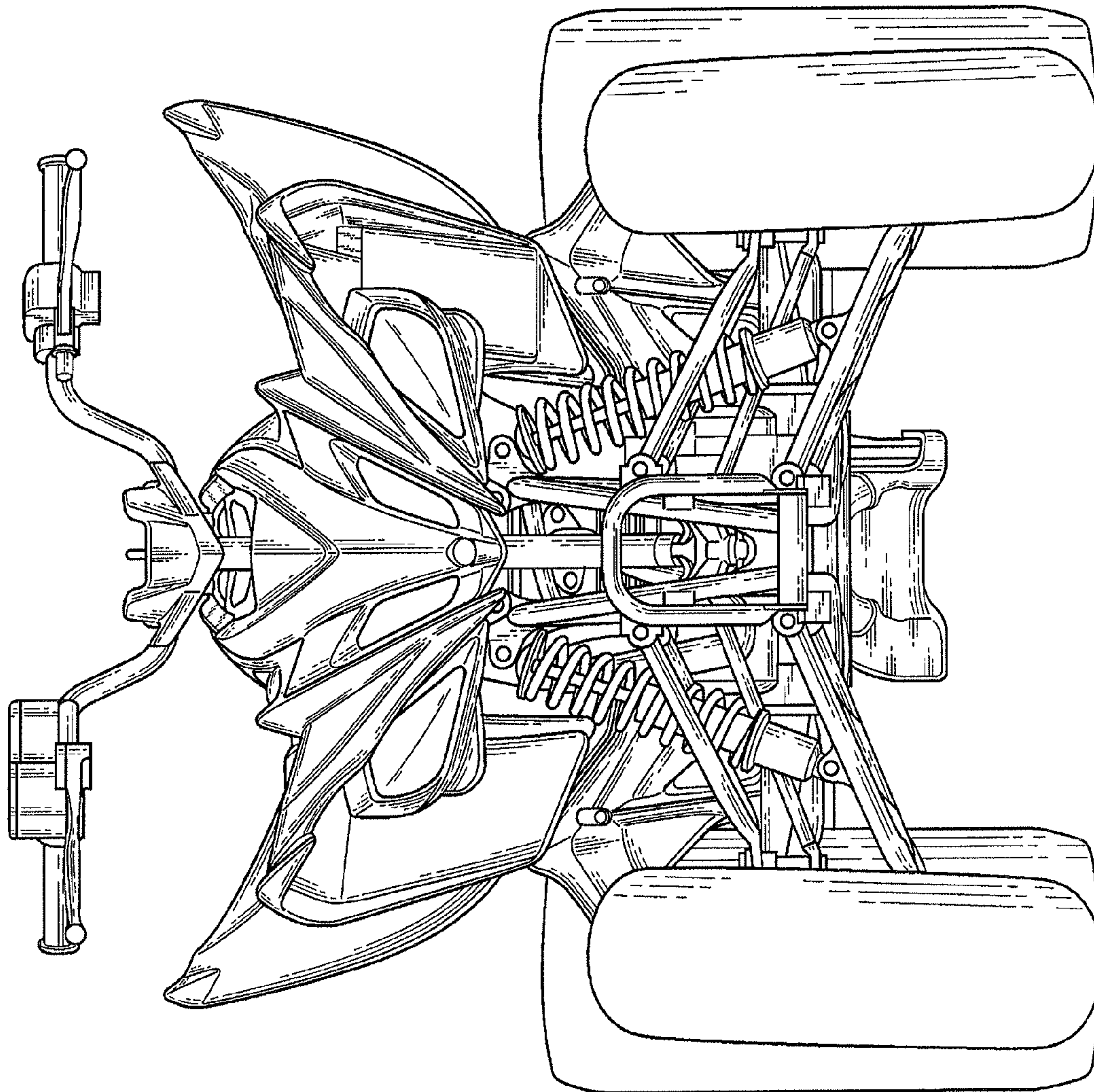


FIG. 3

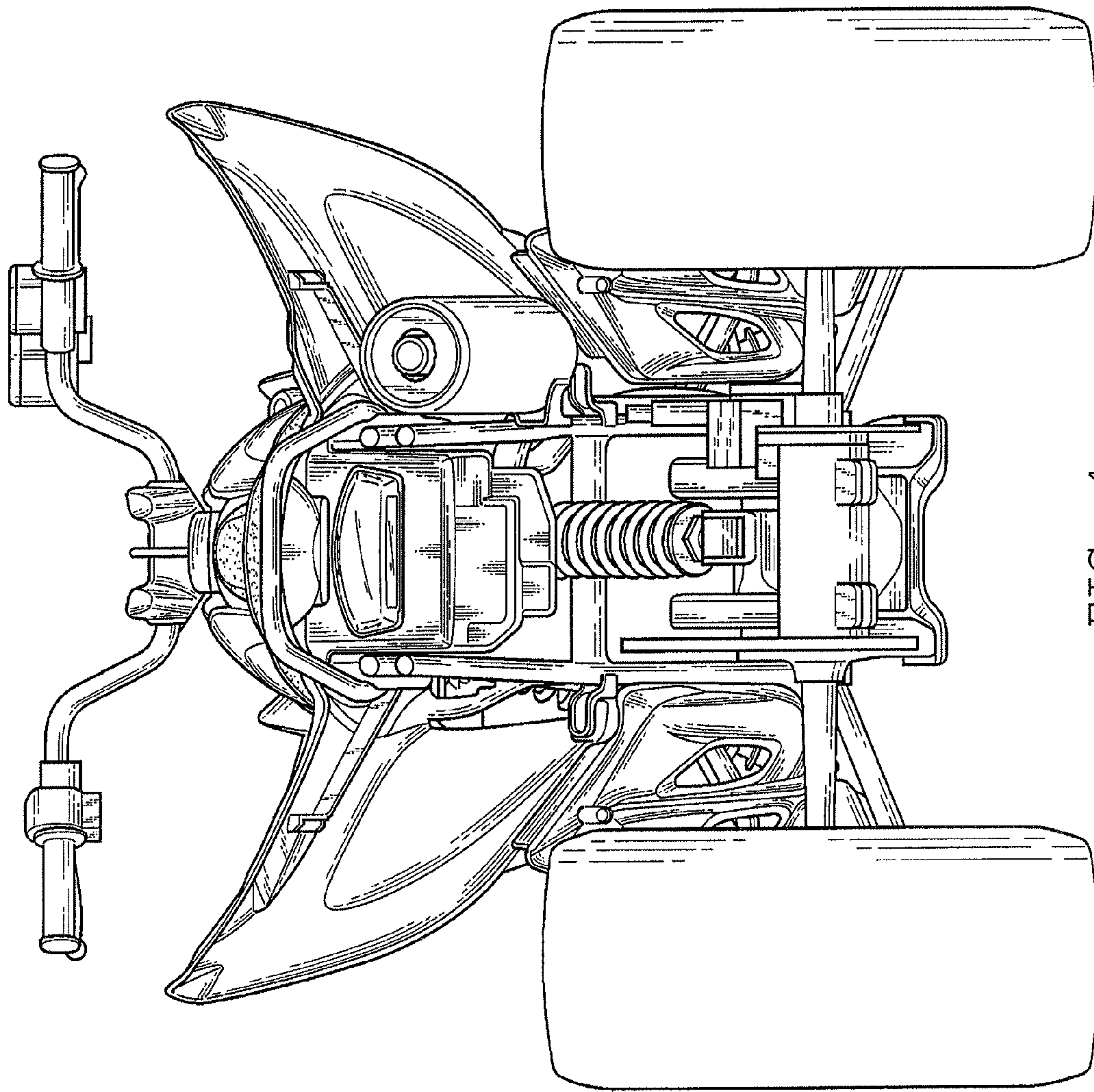


FIG. 4

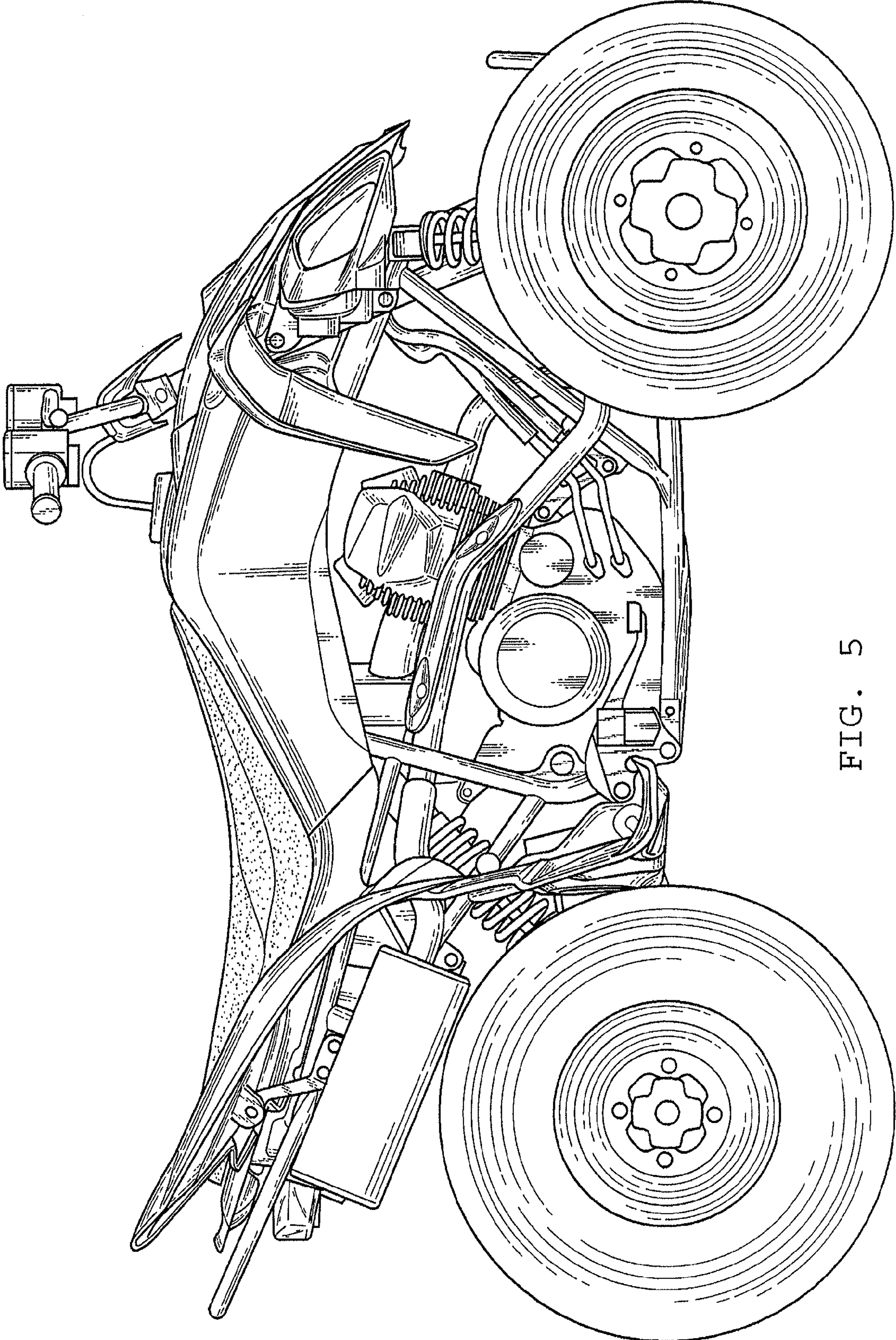


FIG. 5

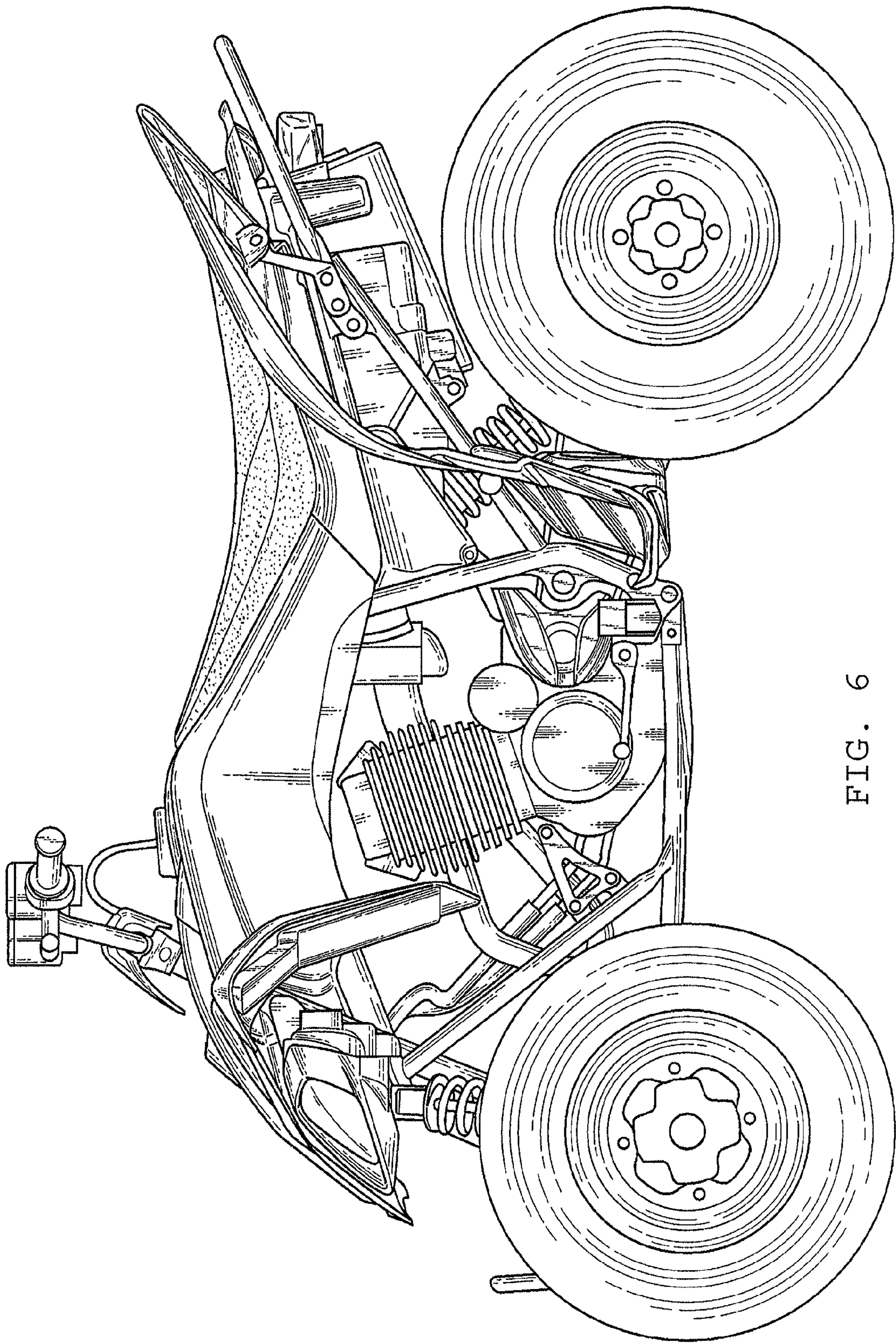


FIG. 6

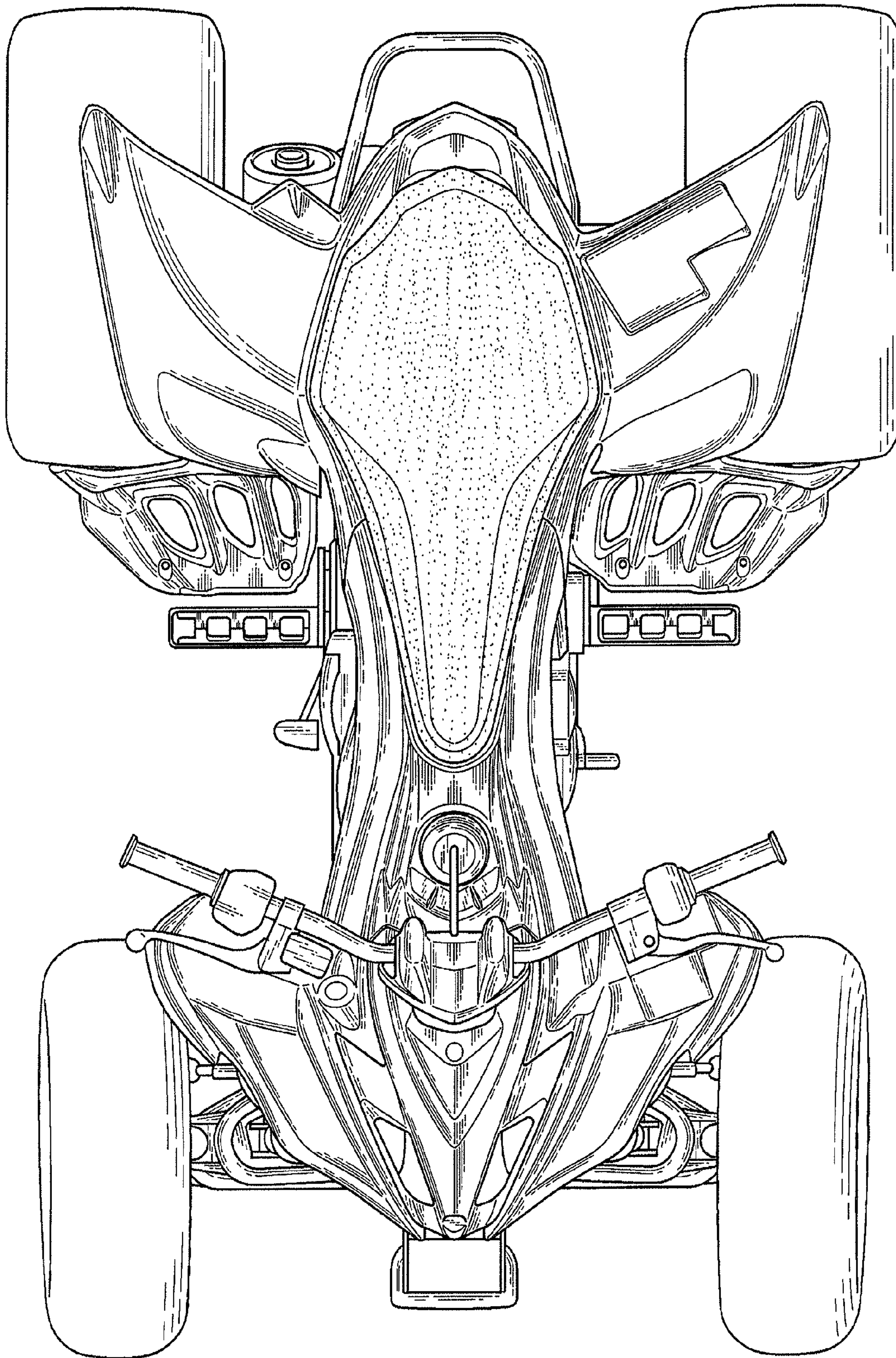


FIG. 7

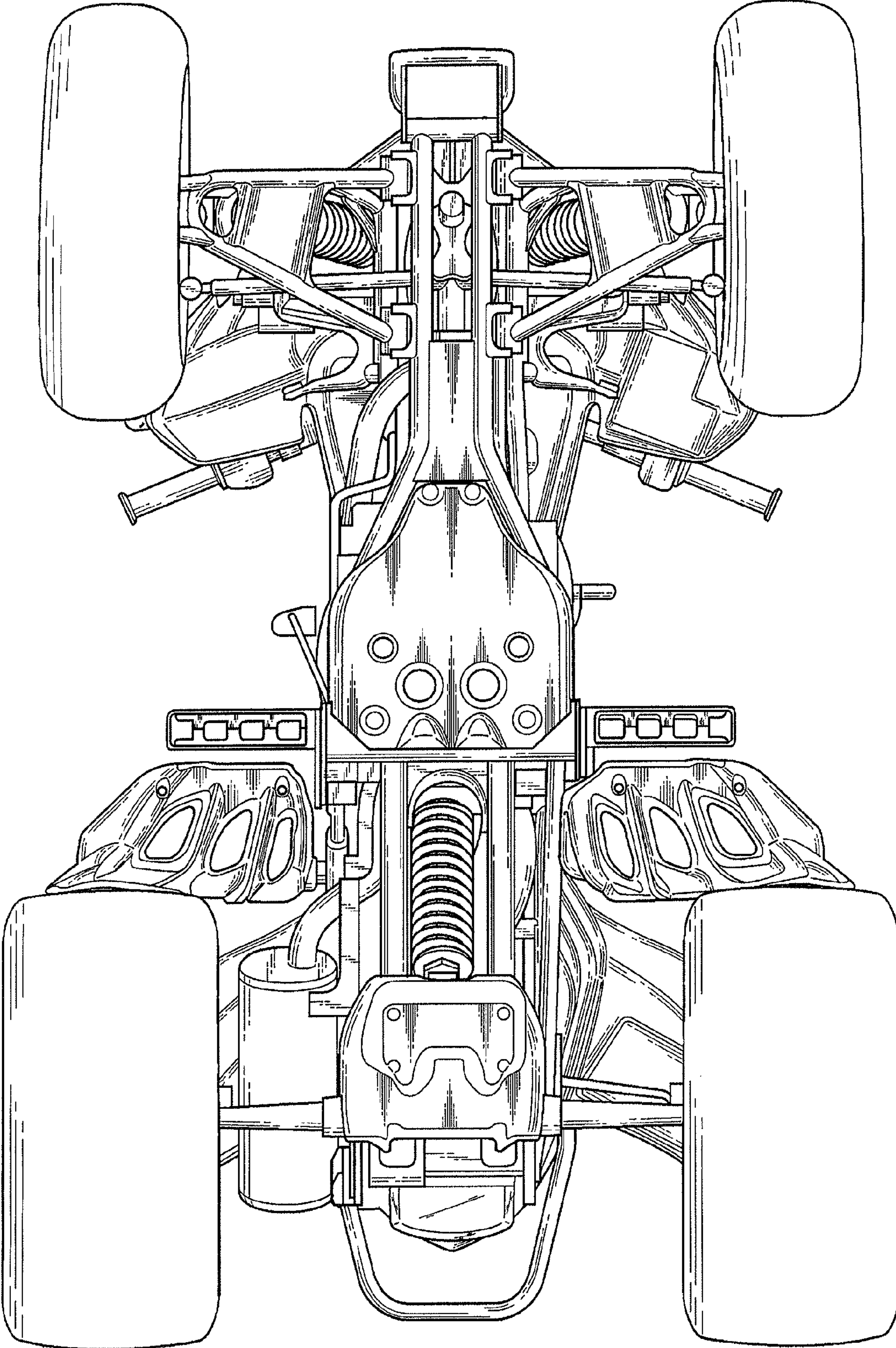


FIG. 8