

US00D685669S

(12) **United States Design Patent**  
**Papadimitriou**

(10) **Patent No.:** **US D685,669 S**

(45) **Date of Patent:** **\*\* Jul. 9, 2013**

(54) **PENDANT**

(75) **Inventor:** **Costantino Papadimitriou, Milan (IT)**

(73) **Assignee:** **De Beers Centenary AG, Lucerne (CH)**

(\*) **Notice:** This patent is subject to a terminal disclaimer.

(\*\*) **Term:** **14 Years**

(21) **Appl. No.:** **29/419,272**

(22) **Filed:** **Apr. 26, 2012**

**Related U.S. Application Data**

(62) Division of application No. 29/400,869, filed on Sep. 1, 2011, now Pat. No. Des. 661,220.

(30) **Foreign Application Priority Data**

Mar. 3, 2011 (EM) ..... 001830332

(51) **LOC (9) Cl.** ..... **11-01**

(52) **U.S. Cl.**  
USPC ..... **D11/79**

(58) **Field of Classification Search**

USPC ... D11/79-85, 89-91, 40-48, 1-8; 63/26-28,  
63/12-14, 3, 3.1, 3.2

See application file for complete search history.

(56) **References Cited**

**U.S. PATENT DOCUMENTS**

D19,102 S \* 5/1889 Stayner ..... D11/79  
D114,212 S \* 4/1939 Graeter ..... D11/48  
D138,956 S \* 10/1944 Karples ..... D11/75  
D148,172 S \* 12/1947 Katz ..... D11/75  
D248,380 S \* 7/1978 Burchett ..... D11/43

D308,348 S \* 6/1990 Leopoldi ..... D11/43  
D455,097 S \* 4/2002 Salvarani ..... D11/79  
6,688,507 B2 \* 2/2004 McCormack ..... 24/3.3  
D497,322 S \* 10/2004 Gruosi-Scheufele ..... D11/79

(Continued)

*Primary Examiner* — Cathron Brooks

*Assistant Examiner* — Melanie Pellegrini

(74) *Attorney, Agent, or Firm* — Dentons US LLP; Brian R. McGinley

(57) **CLAIM**

The ornamental design for a pendant, as shown and described.

**DESCRIPTION**

FIG. 1 is a top view of a first embodiment of the pendant; FIG. 2 is a bottom view of the pendant illustrated in FIG. 1; FIG. 3 is a left elevational view of the pendant illustrated in FIG. 1;

FIG. 4 is a right elevational view of the pendant illustrated in FIG. 1;

FIG. 5 is a front view of the pendant illustrated in FIG. 1;

FIG. 6 is a rear view of the pendant illustrated in FIG. 1;

FIG. 7 is a perspective view of the pendant illustrated in FIG. 1

FIG. 8 is a top view of a second embodiment of the pendant; FIG. 9 is a bottom view of the pendant illustrated in FIG. 8;

FIG. 10 is a right elevational view of the pendant illustrated in FIG. 8;

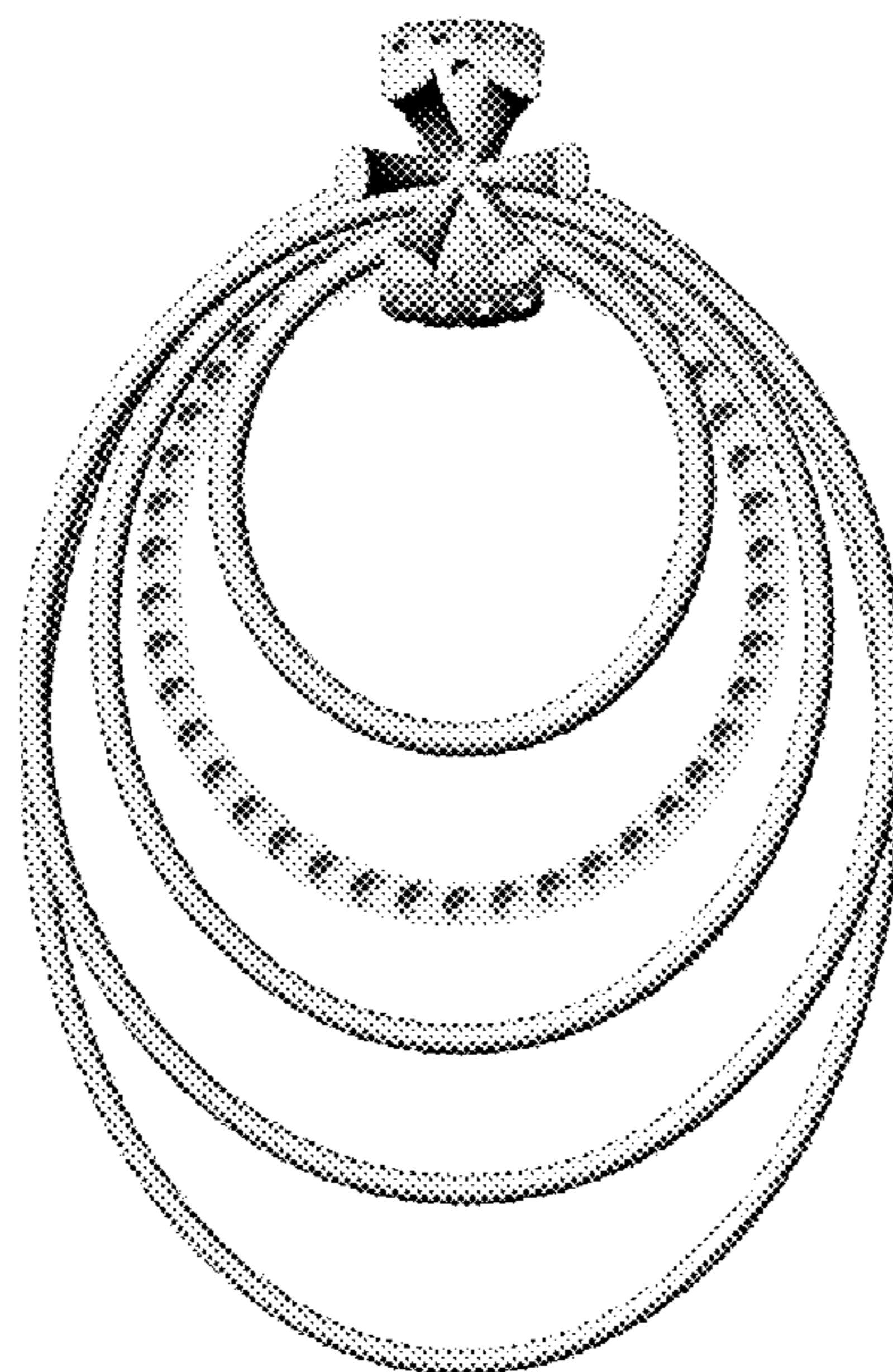
FIG. 11 is a left elevational view of the pendant illustrated in FIG. 8;

FIG. 12 is a front view of the pendant illustrated in FIG. 8;

FIG. 13 is a rear view of the pendant illustrated in FIG. 8; and,

FIG. 14 is a perspective view of the pendant illustrated in FIG. 8.

**1 Claim, 10 Drawing Sheets**



# US D685,669 S

Page 2

---

## U.S. PATENT DOCUMENTS

7,121,117	B2 *	10/2006	Gruosi-Scheufele	.....	63/1.14	D659,047	S *	5/2012	Papadimitriou	.....	D11/79
D625,640	S *	10/2010	Sivriere	.....	D11/1	D659,583	S *	5/2012	Papadimitriou	.....	D11/43
D636,696	S *	4/2011	Lebail	.....	D11/43	D660,745	S *	5/2012	Papadimitriou	.....	D11/43
D637,103	S *	5/2011	Lebail	.....	D11/43	D661,219	S *	6/2012	Papadimitriou	.....	D11/43
D658,090	S *	4/2012	Papadimitriou	.....	D11/43	D661,220	S *	6/2012	Papadimitriou	.....	D11/79

\* cited by examiner

FIG. 1

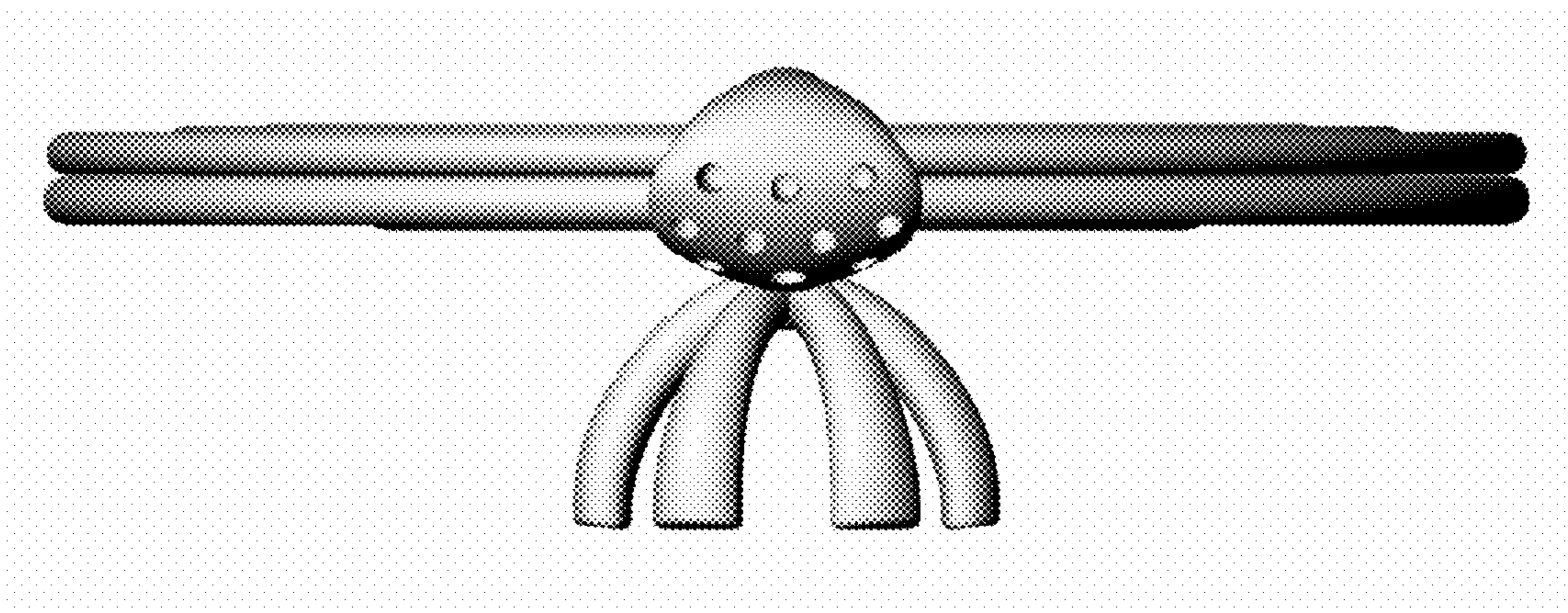


FIG. 2

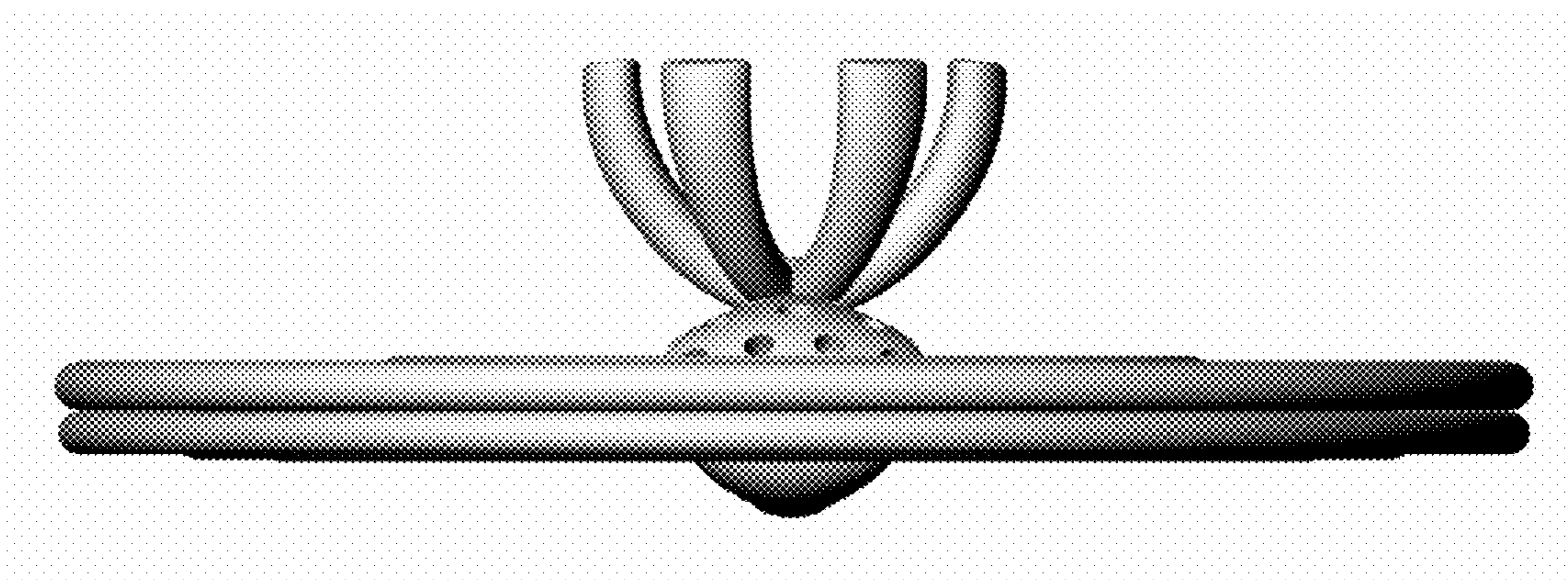


FIG. 3

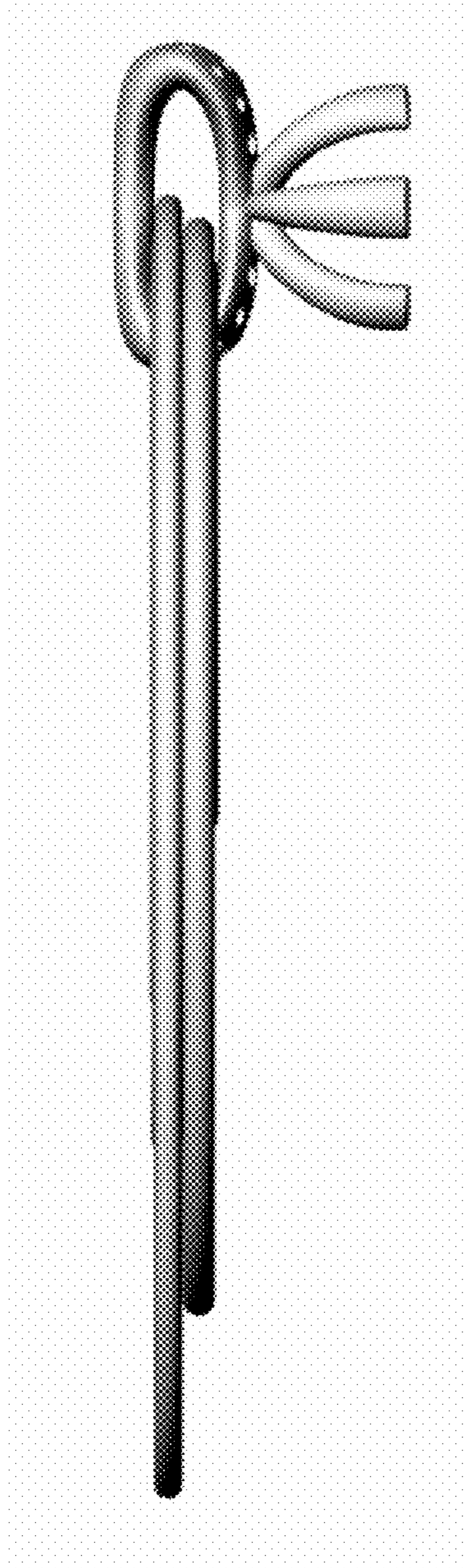


FIG. 4

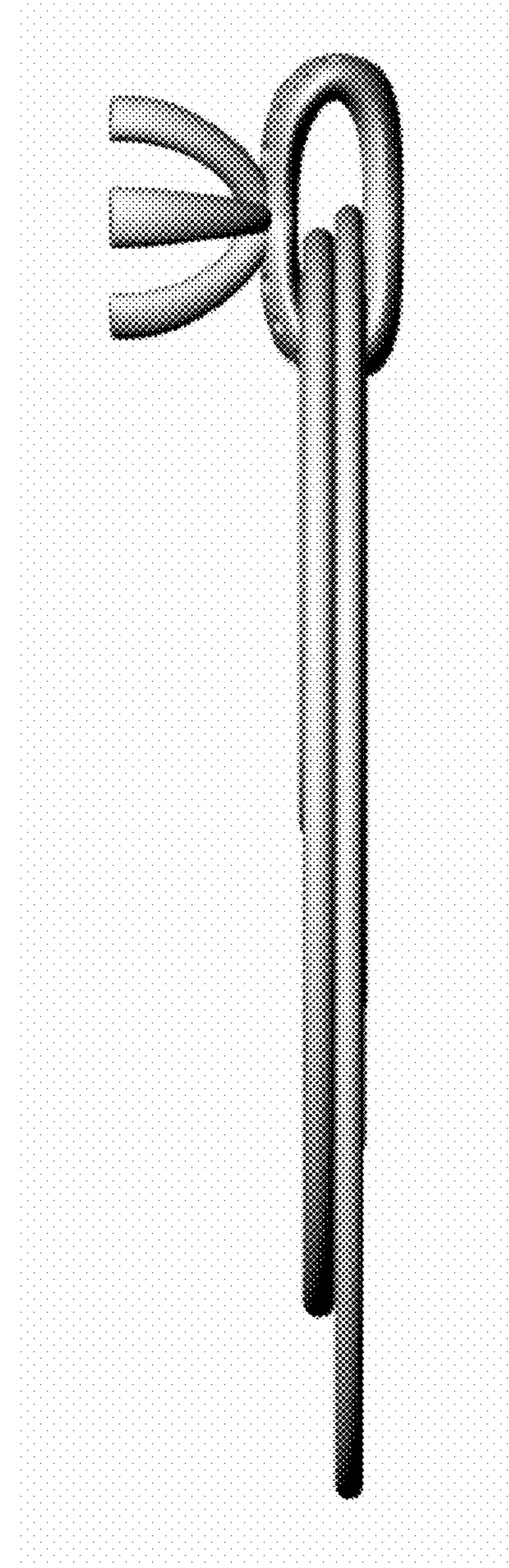


FIG. 5

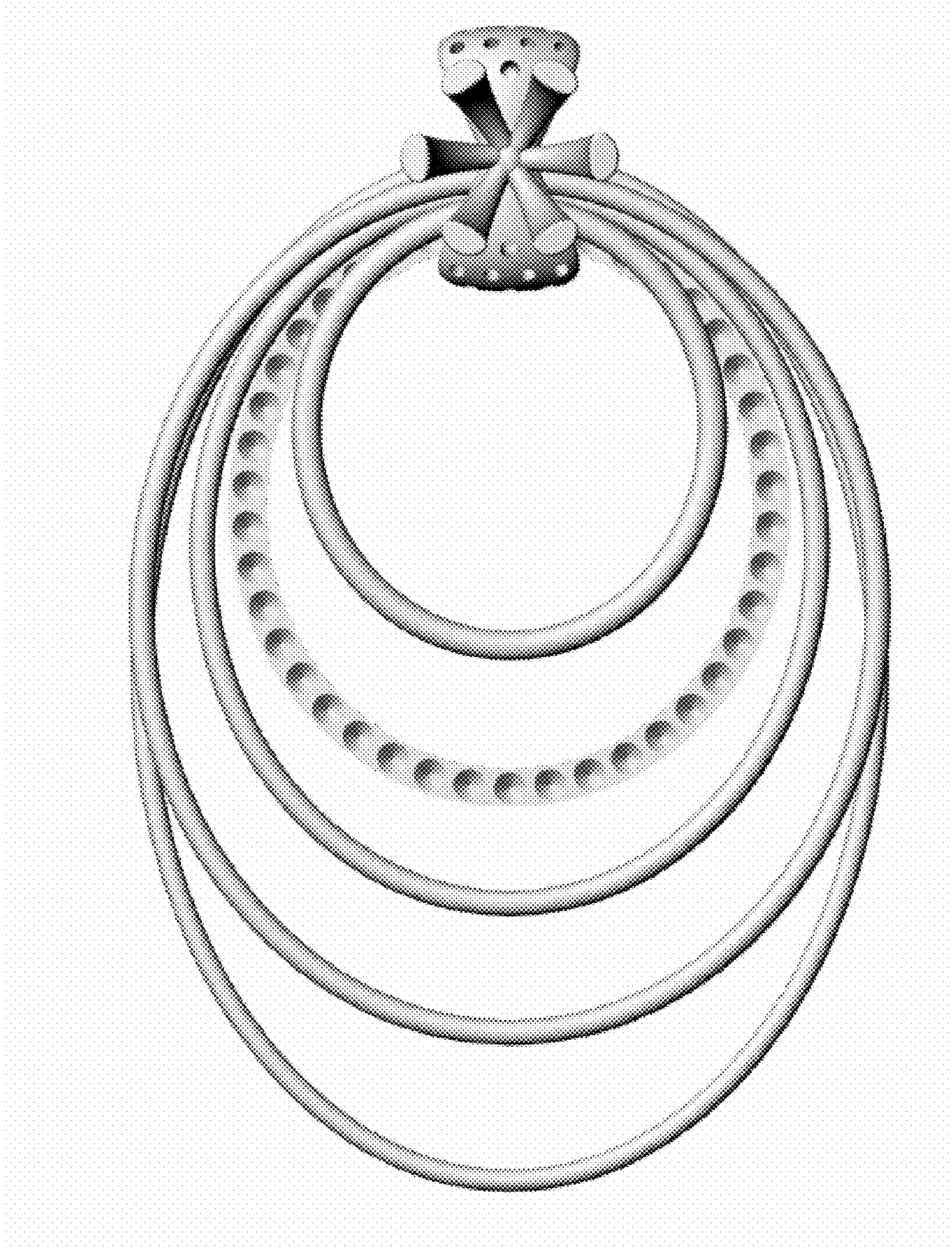


FIG. 6

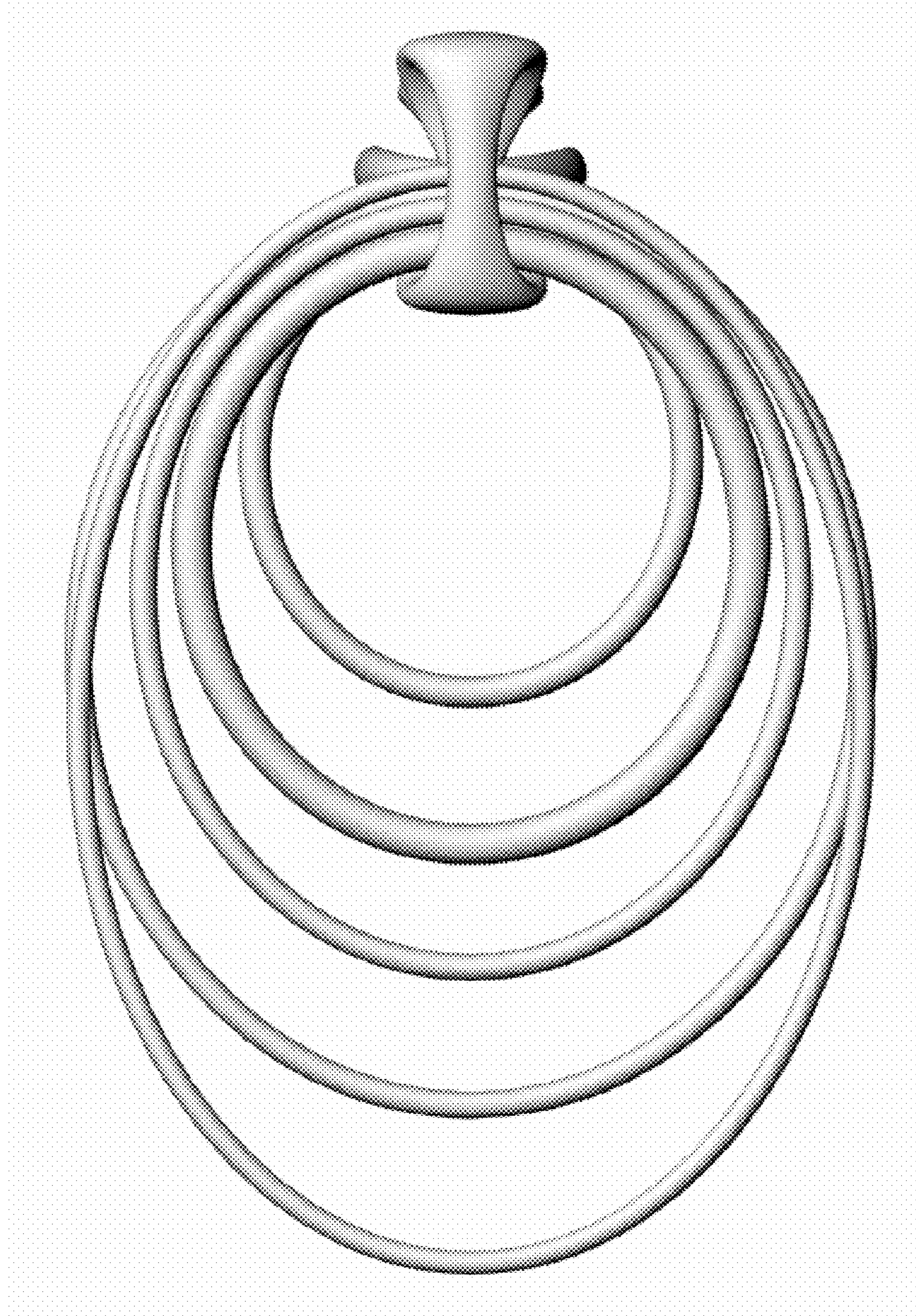


FIG. 7

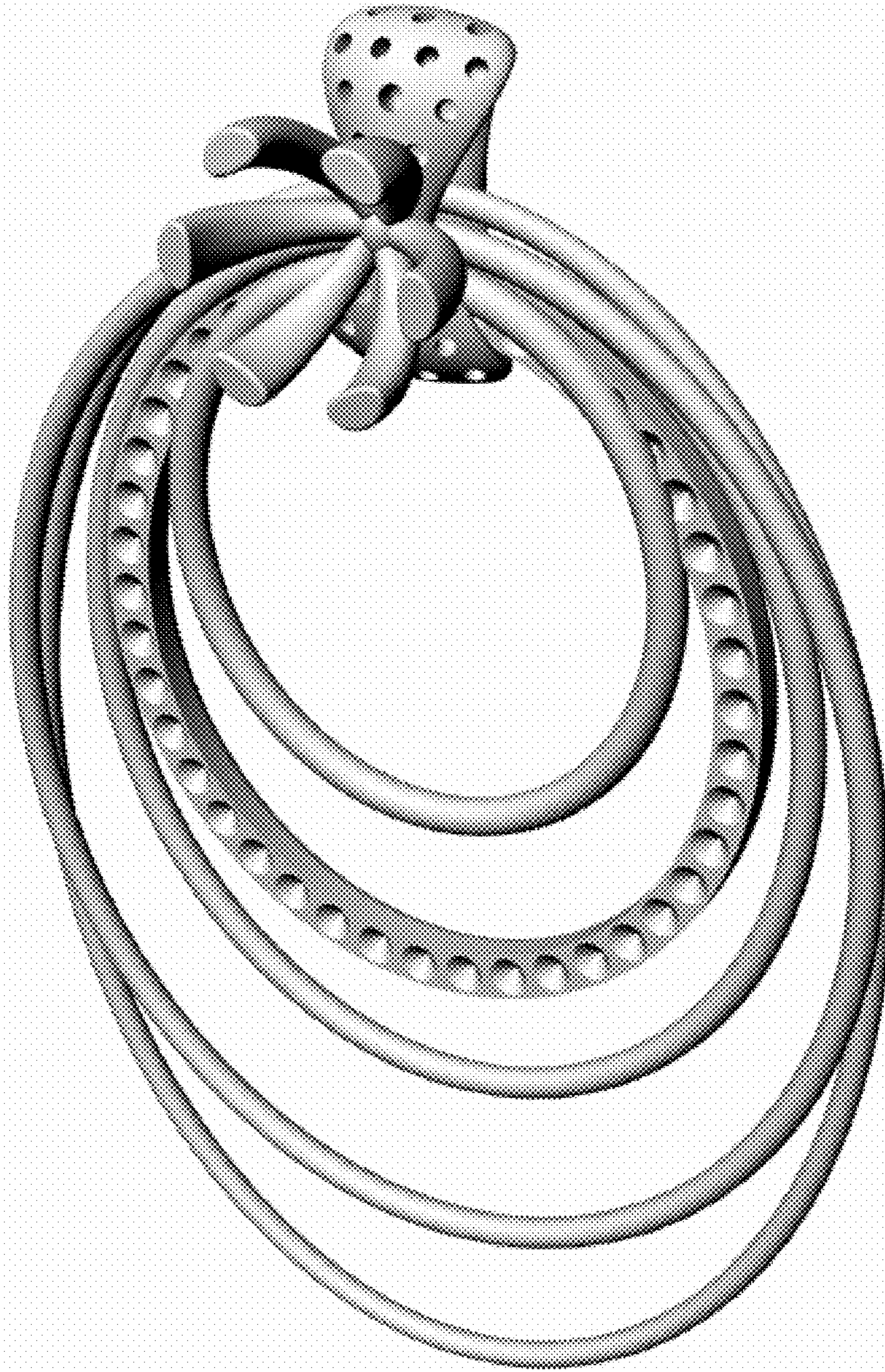


FIG. 8

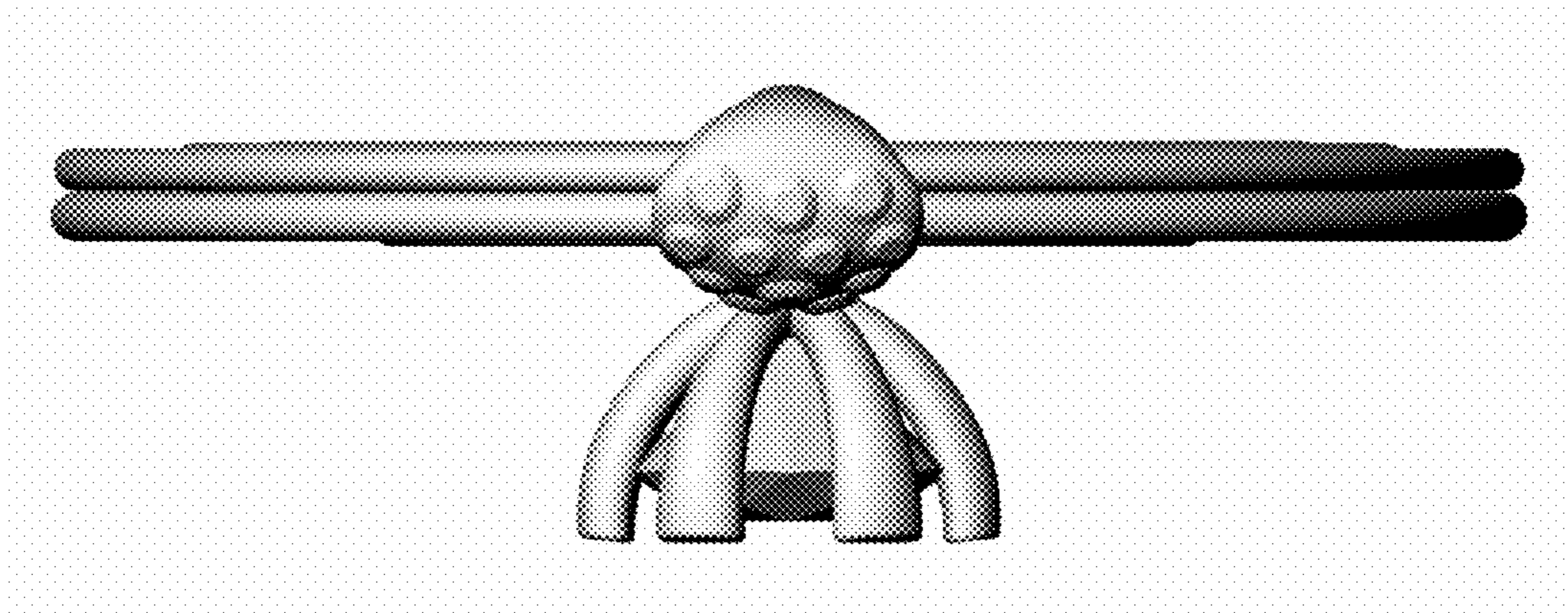


FIG. 9

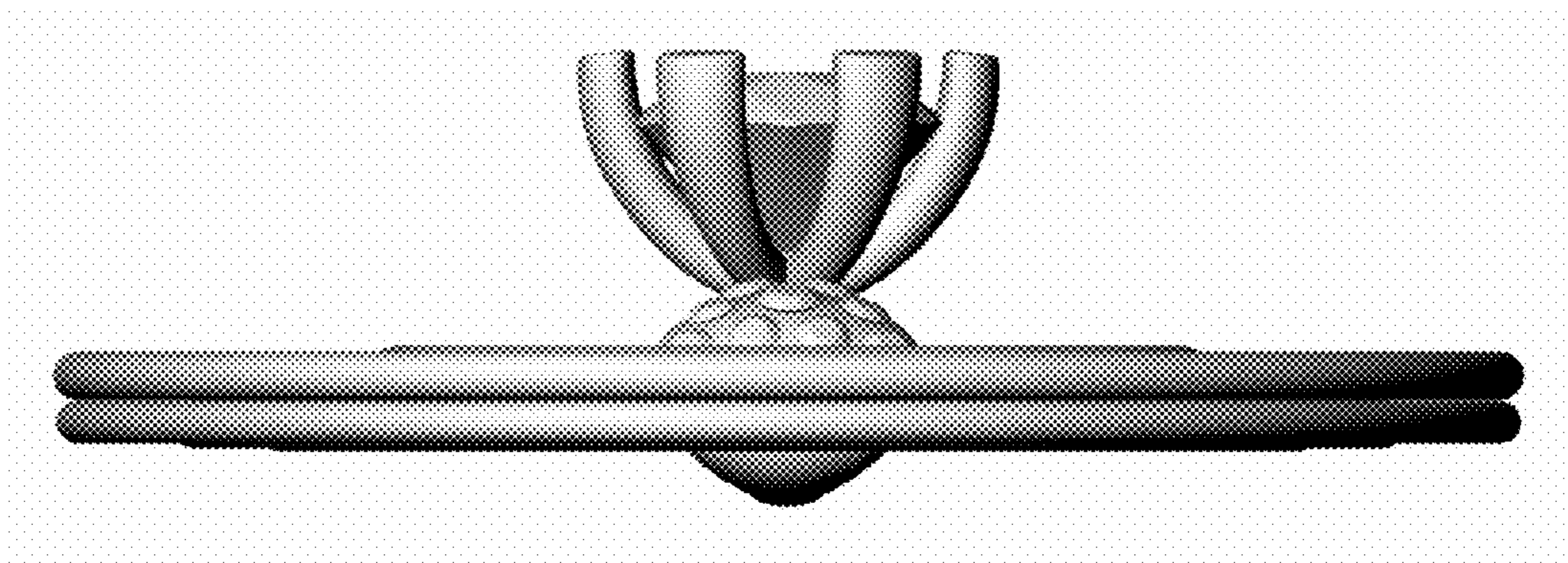




FIG. 10

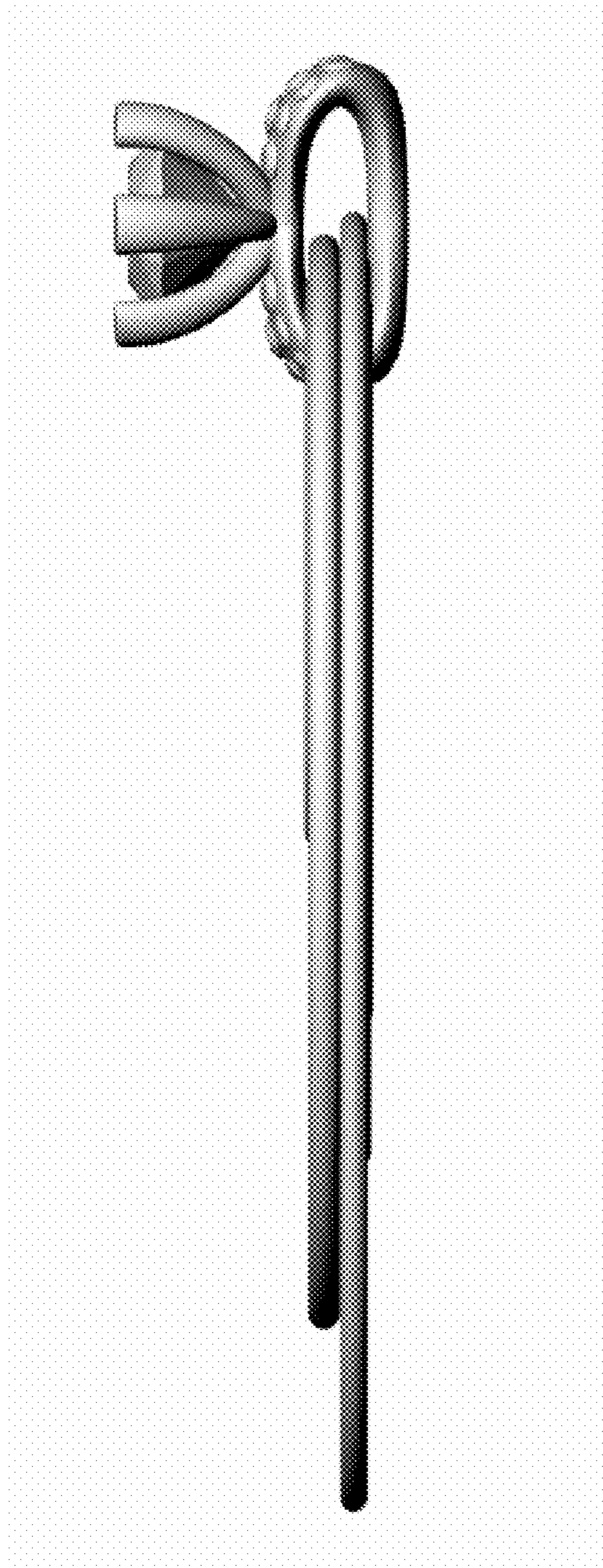


FIG. 11

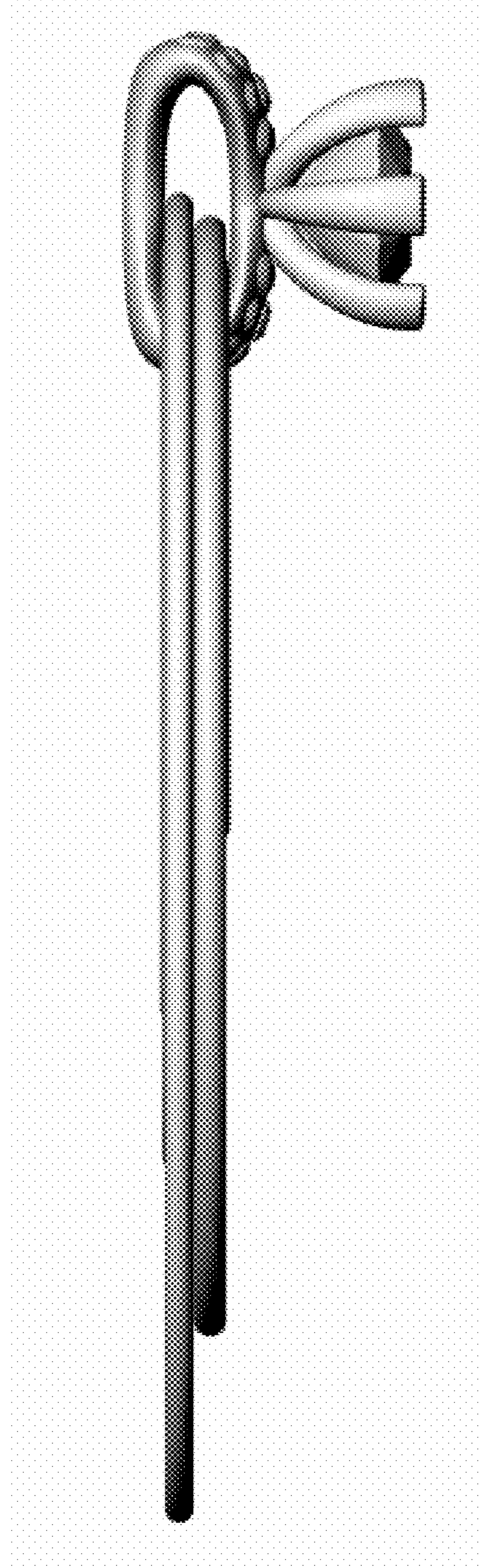


FIG. 12



FIG. 13

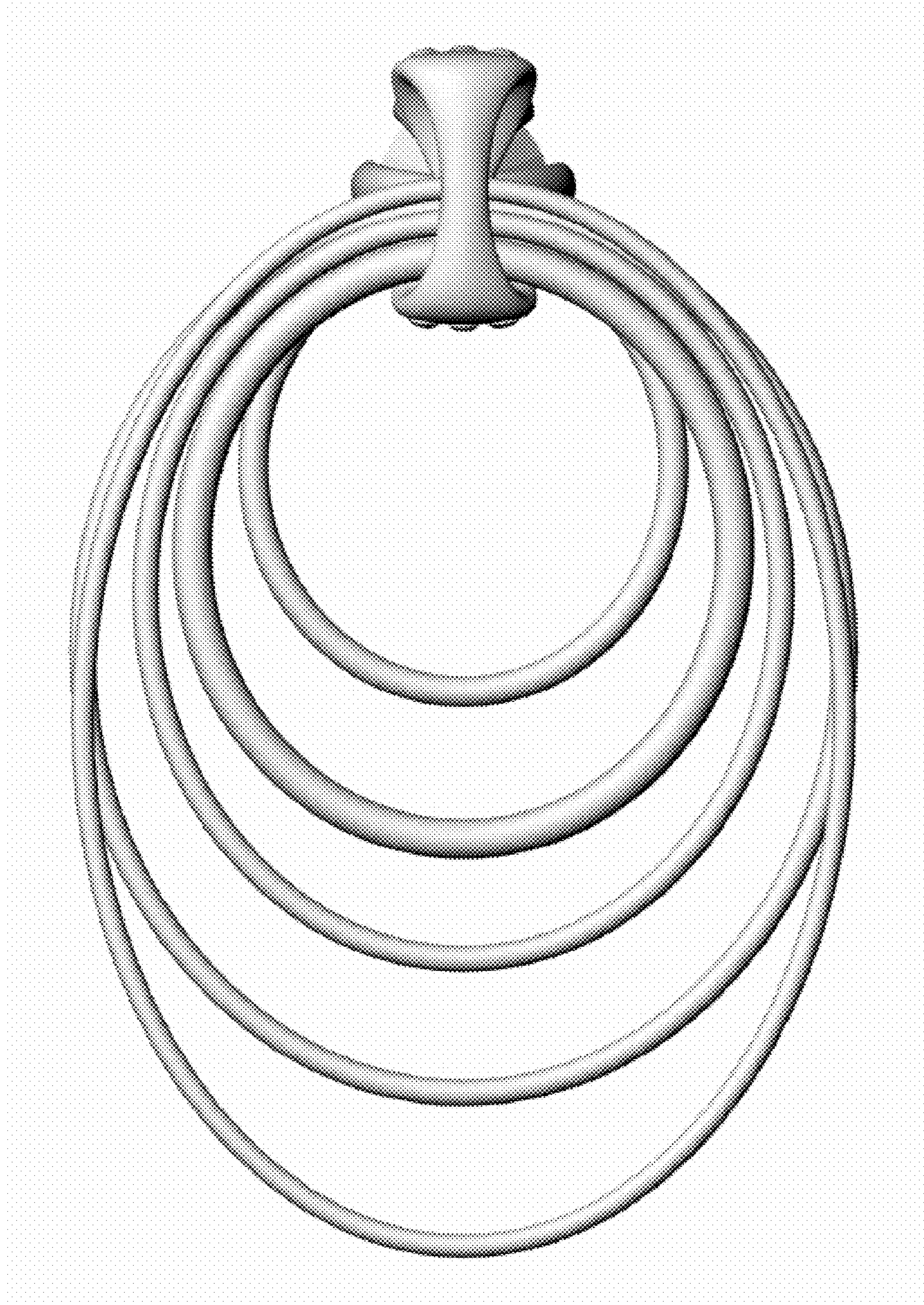


FIG. 14

