



US00D685666S

(12) **United States Design Patent**
Nakai

(10) **Patent No.:** **US D685,666 S**
(45) **Date of Patent:** **** Jul. 9, 2013**

- (54) **WATCH CASE**
- (71) Applicant: **Casio Keisanki Kabushiki Kaisha,**
Tokyo (JP)
- (72) Inventor: **Toshio Nakai,** Oume (JP)
- (73) Assignee: **Casio Keisanki Kabushiki Kaisha,**
Tokyo (JP)
- (**) Term: **14 Years**
- (21) Appl. No.: **29/447,805**
- (22) Filed: **Mar. 6, 2013**
- (51) **LOC (9) Cl.** **10-07**
- (52) **U.S. Cl.**
USPC **D10/131; D10/128**
- (58) **Field of Classification Search**
USPC D10/131, 122, 128, 30-39; 368/288,
368/286, 290, 308, 319, 320, 321
See application file for complete search history.

D573,488 S *	7/2008	Sanz	D10/39
D614,512 S *	4/2010	Monachon	D10/32
D628,095 S *	11/2010	Monachon	D10/39
D632,979 S *	2/2011	Chastaingt	D10/38
D648,638 S *	11/2011	Monachon	D10/39
D650,710 S *	12/2011	Laucella	D10/39
D652,326 S *	1/2012	Kummer	D10/38
D663,222 S *	7/2012	Nakai et al.	D10/39
D664,450 S *	7/2012	Syoubayashi	D10/39
D668,968 S *	10/2012	Duport	D10/32
D668,970 S *	10/2012	Nunes	D10/38
D671,428 S *	11/2012	Mazzucato	D10/38

* cited by examiner

Primary Examiner — Lucy Lieberman

(74) *Attorney, Agent, or Firm* — Holtz, Holtz, Goodman & Chick, P.C.

(57) **CLAIM**

The ornamental design for a watch case, as shown and described.

DESCRIPTION

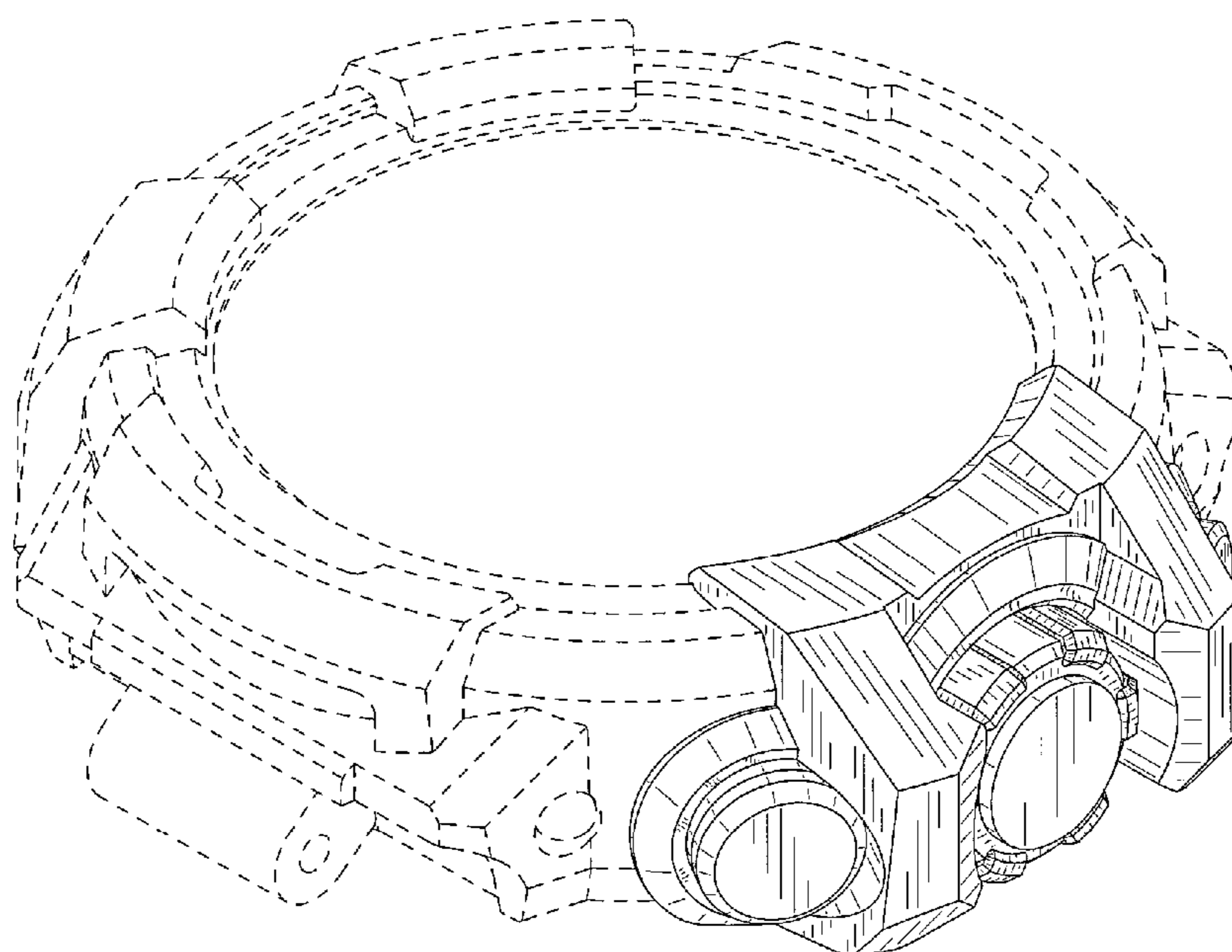
FIG. 1 is a front, right side, bottom perspective view of a watch case showing my new design;
 FIG. 2 is a front elevational view thereof;
 FIG. 3 is a rear elevational view thereof;
 FIG. 4 is a left side view thereof;
 FIG. 5 is a right side view thereof;
 FIG. 6 is a top plan view thereof; and,
 FIG. 7 is a bottom plan view thereof.
 The portions in broken lines are shown for illustrative purposes only and form no part of the claimed design.

1 Claim, 6 Drawing Sheets

(56) **References Cited**

U.S. PATENT DOCUMENTS

D361,945 S *	9/1995	Errico	D10/39
D402,566 S *	12/1998	Moriai	D10/30
D415,043 S *	10/1999	Fichter	D10/39
D443,529 S *	6/2001	Oshita	D10/30
D447,427 S *	9/2001	Finazzi	D10/39
D508,860 S *	8/2005	Plan	D10/39
D558,614 S *	1/2008	Strasser	D10/38
D569,276 S *	5/2008	Scheufele	D10/39



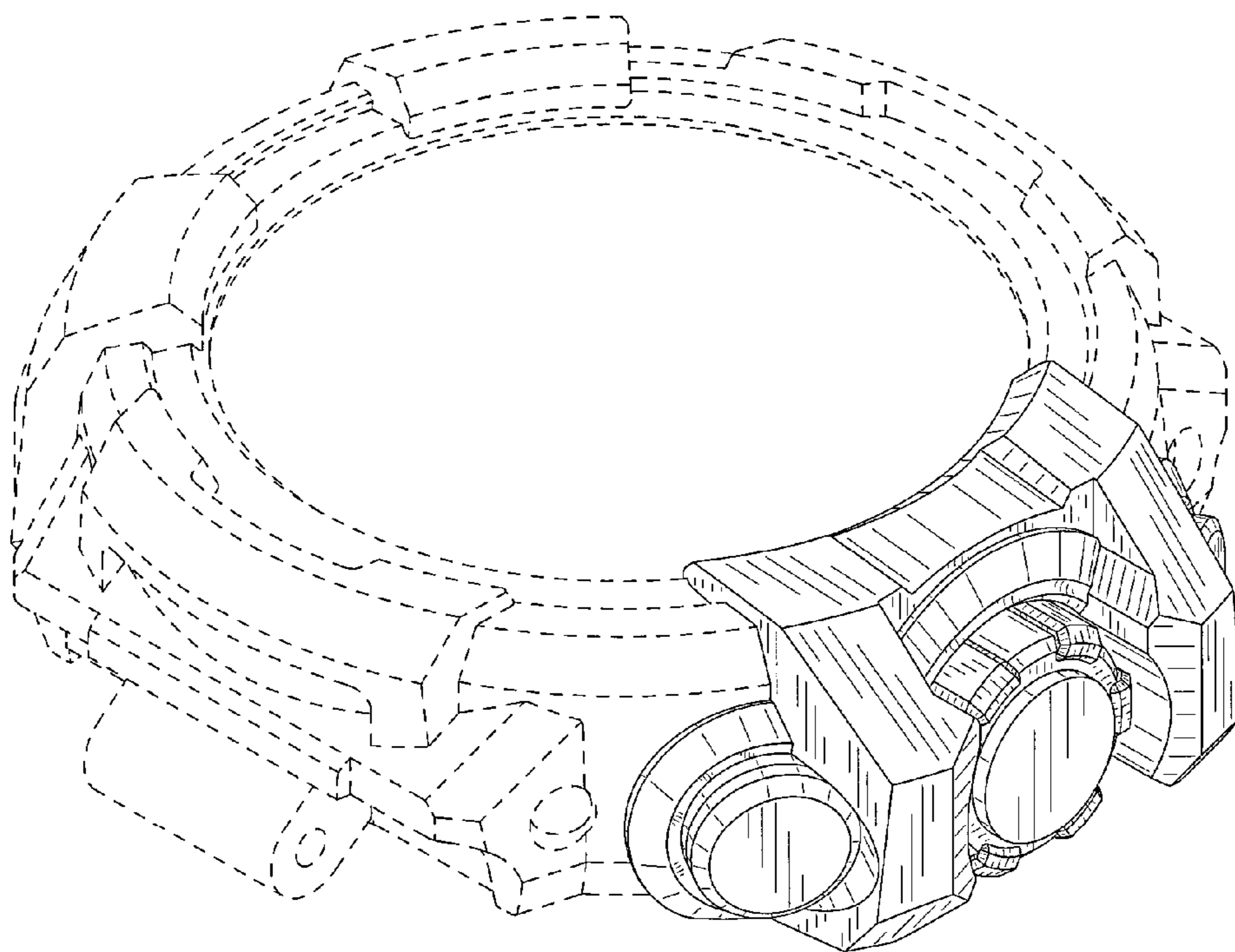


FIG. 1

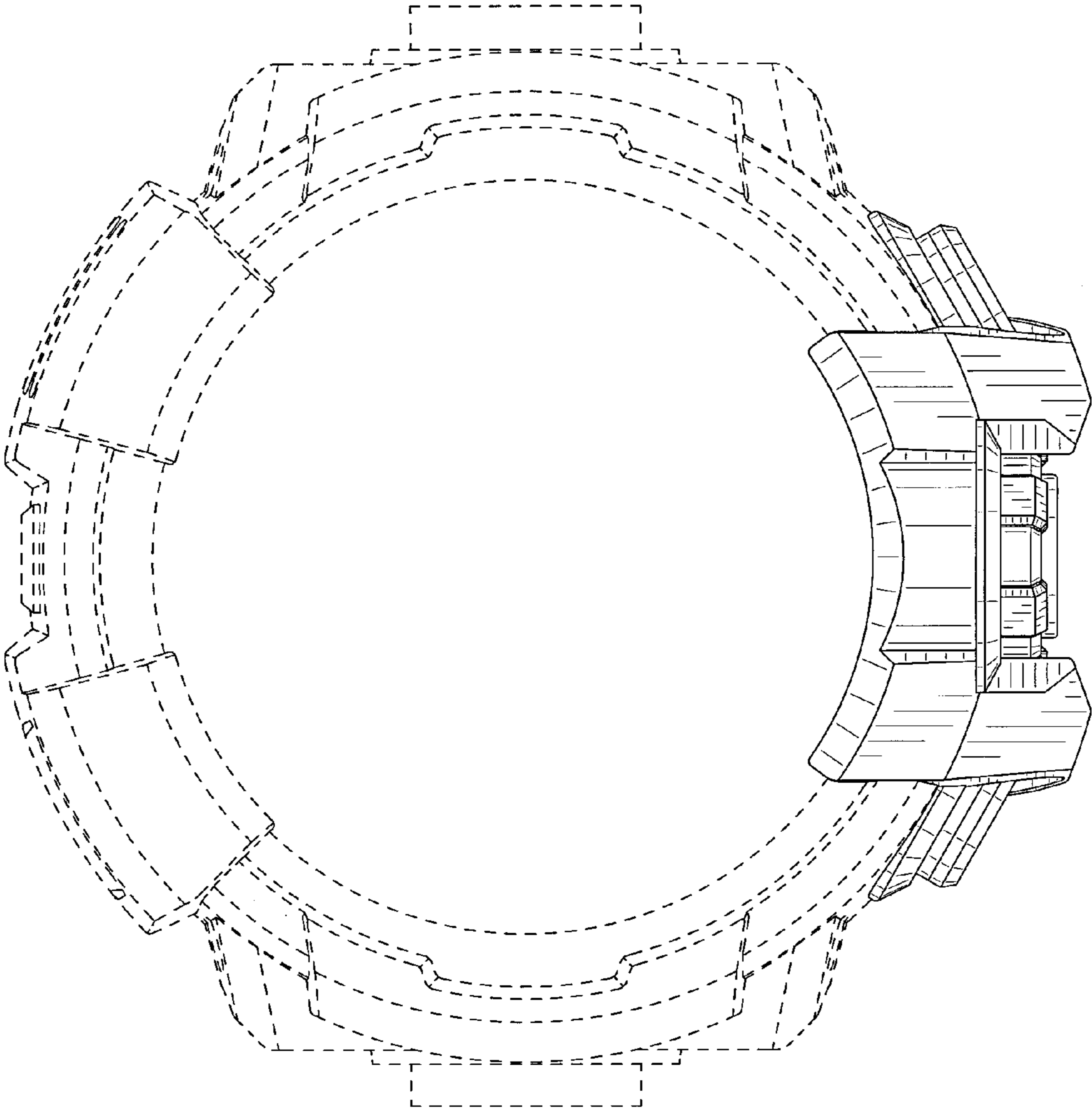


FIG. 2

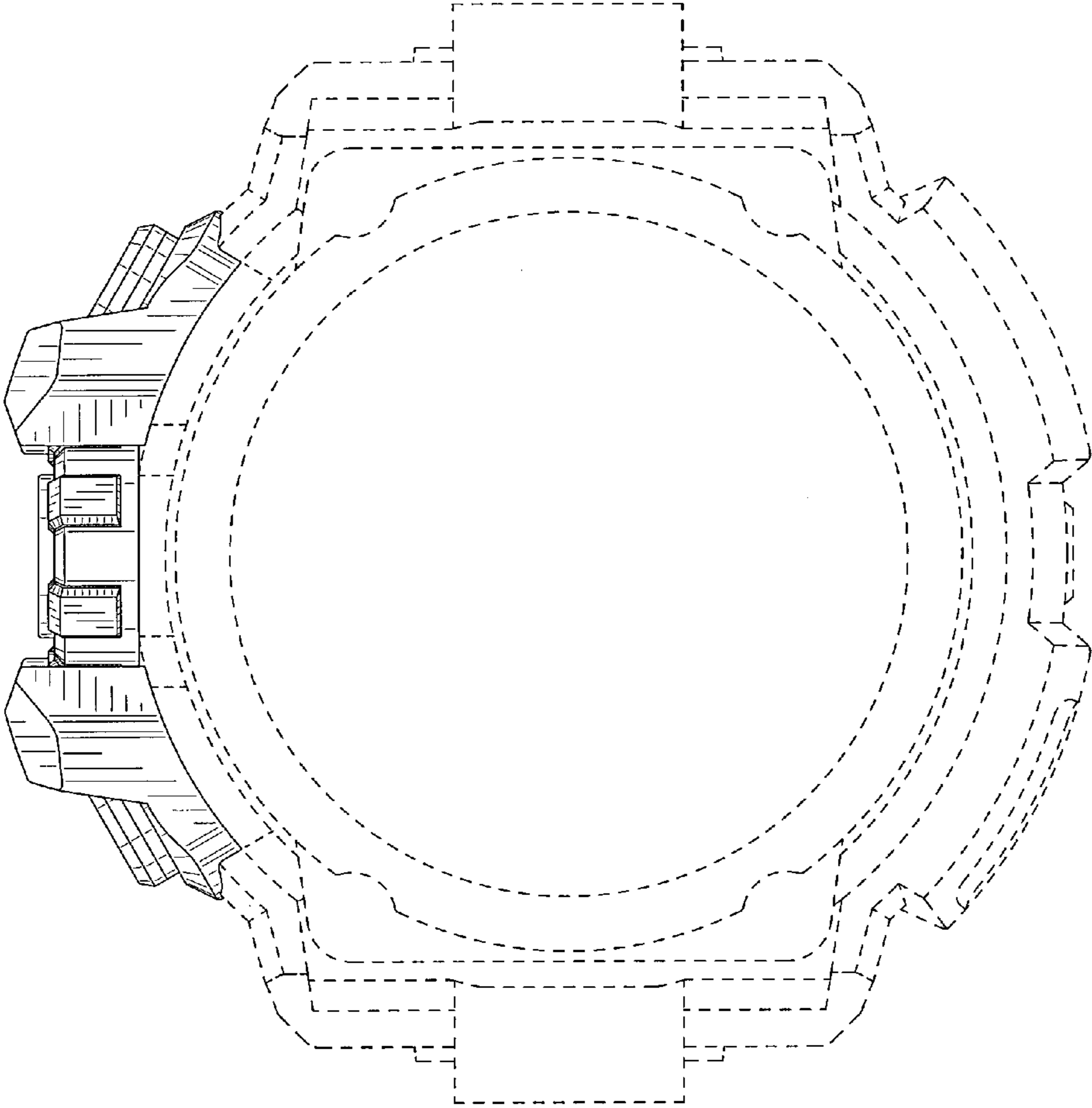


FIG. 3

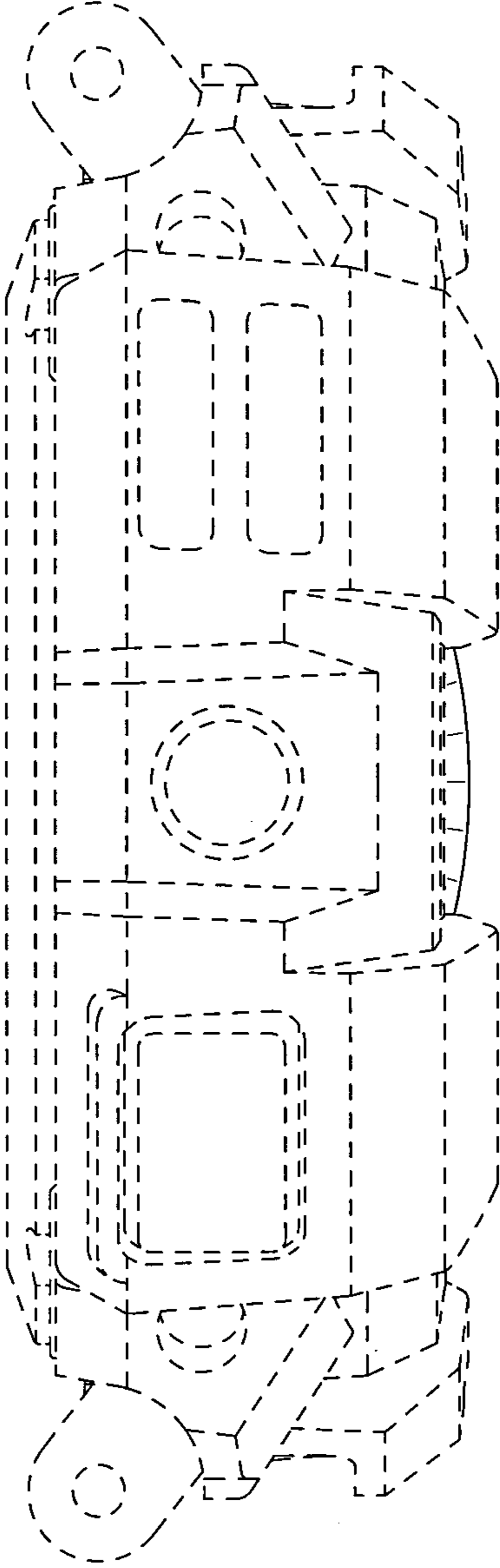


FIG. 4

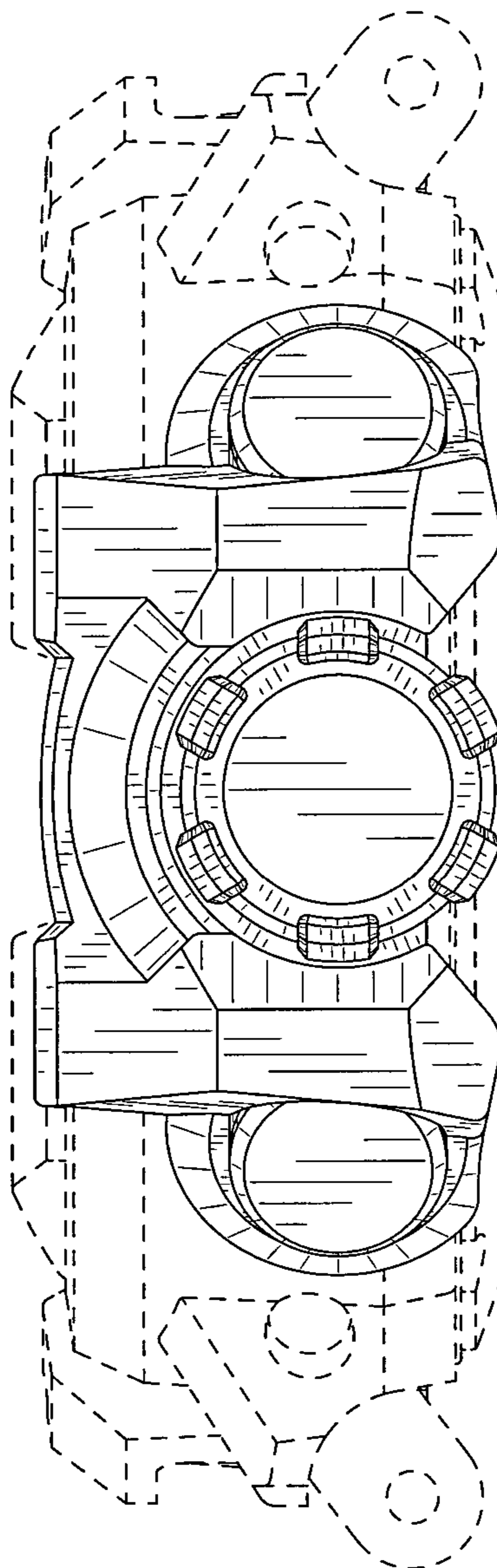


FIG. 5

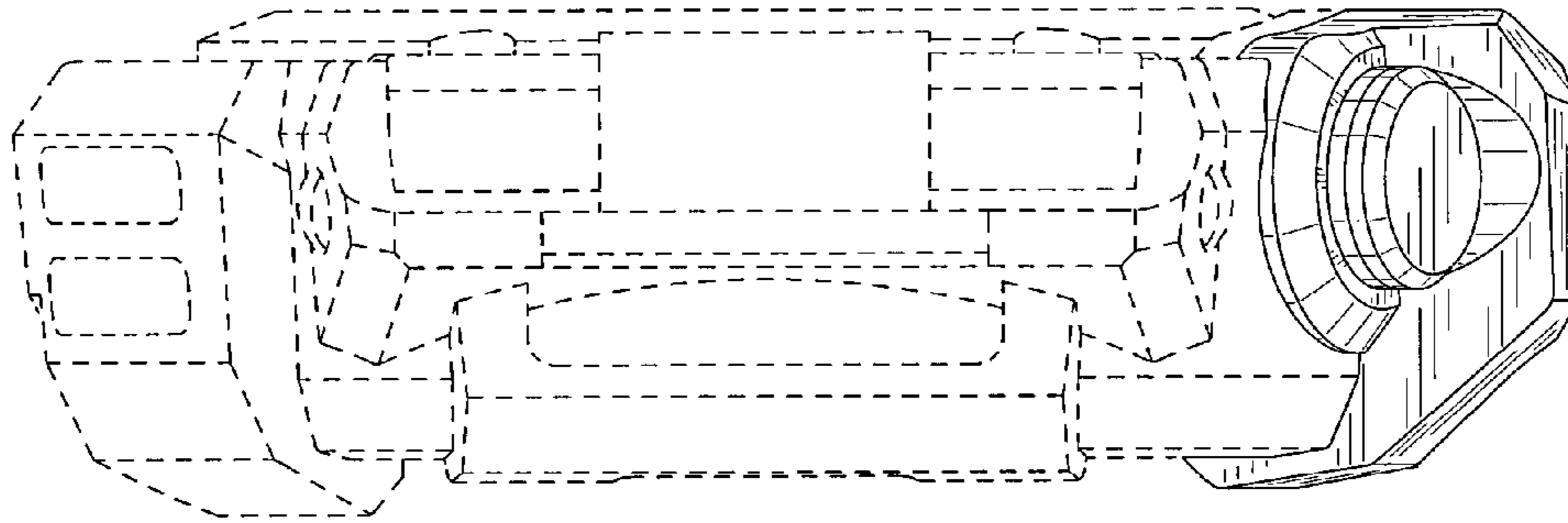


FIG. 6

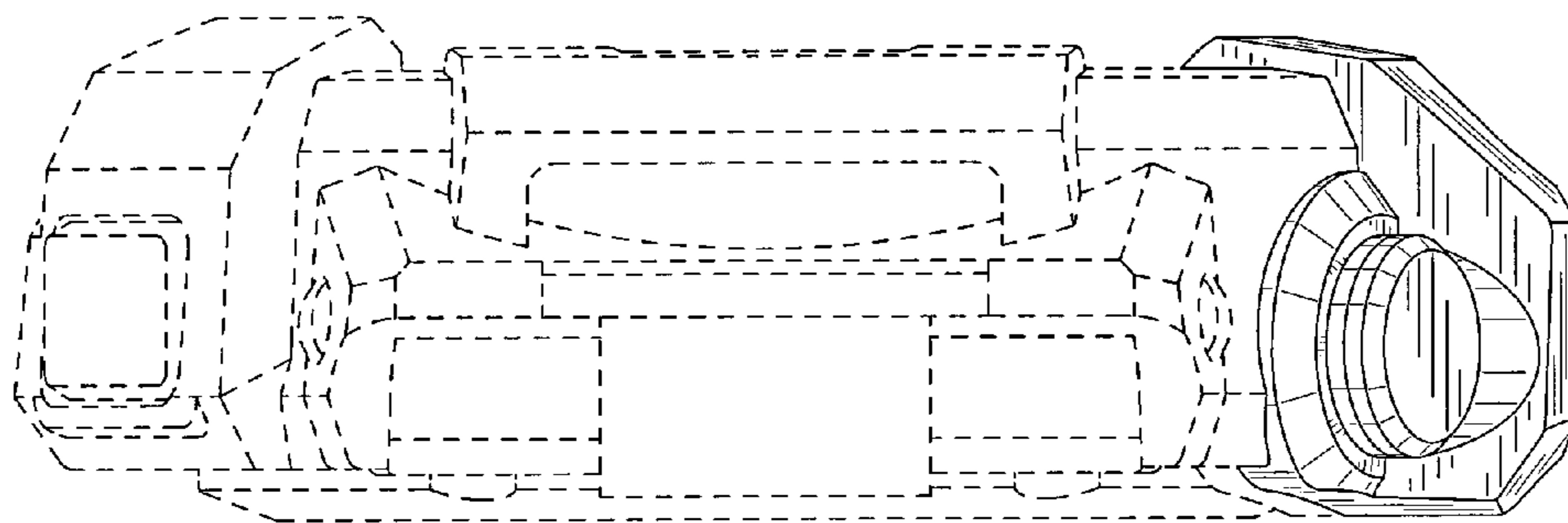


FIG. 7