



US00D685661S

(12) **United States Design Patent**  
**Fukano et al.**

(10) **Patent No.:** **US D685,661 S**

(45) **Date of Patent:** **\*\* Jul. 9, 2013**

(54) **FLOW METER**

(75) Inventors: **Yoshihiro Fukano**, Tsukubamirai (JP);  
**Tadashi Uchino**, Tsukubamirai (JP)

(73) Assignee: **SMC Corporation**, Chiyoda-ku, Tokyo  
(JP)

(\*\*) Term: **14 Years**

(21) Appl. No.: **29/424,899**

(22) Filed: **Jun. 17, 2012**

(30) **Foreign Application Priority Data**

Dec. 26, 2011 (JP) ..... 2011-029922

(51) **LOC (9) Cl.** ..... **10-04**

(52) **U.S. Cl.**  
USPC ..... **D10/96**

(58) **Field of Classification Search**  
USPC ..... D10/96; 73/700-756, 861-861.41;  
116/266-272

See application file for complete search history.

(56) **References Cited**

U.S. PATENT DOCUMENTS

D675,121 S \* 1/2013 Azuma et al. .... D10/96

\* cited by examiner

*Primary Examiner* — Antoine D Davis

(74) *Attorney, Agent, or Firm* — Yokoi & Co., U.S.A., Inc.;  
Toshiyuki Yokoi

(57) **CLAIM**

The ornamental design for a flow meter, as shown and described.

**DESCRIPTION**

FIG. 1 shows a front view of a flow meter showing our new design;

FIG. 2 shows a rear view thereof;

FIG. 3 shows a right side view thereof;

FIG. 4 shows a left side view thereof;

FIG. 5 shows a top view thereof;

FIG. 6 shows a bottom view thereof; and,

FIG. 7 shows a top, front and right side perspective view thereof.

**1 Claim, 7 Drawing Sheets**

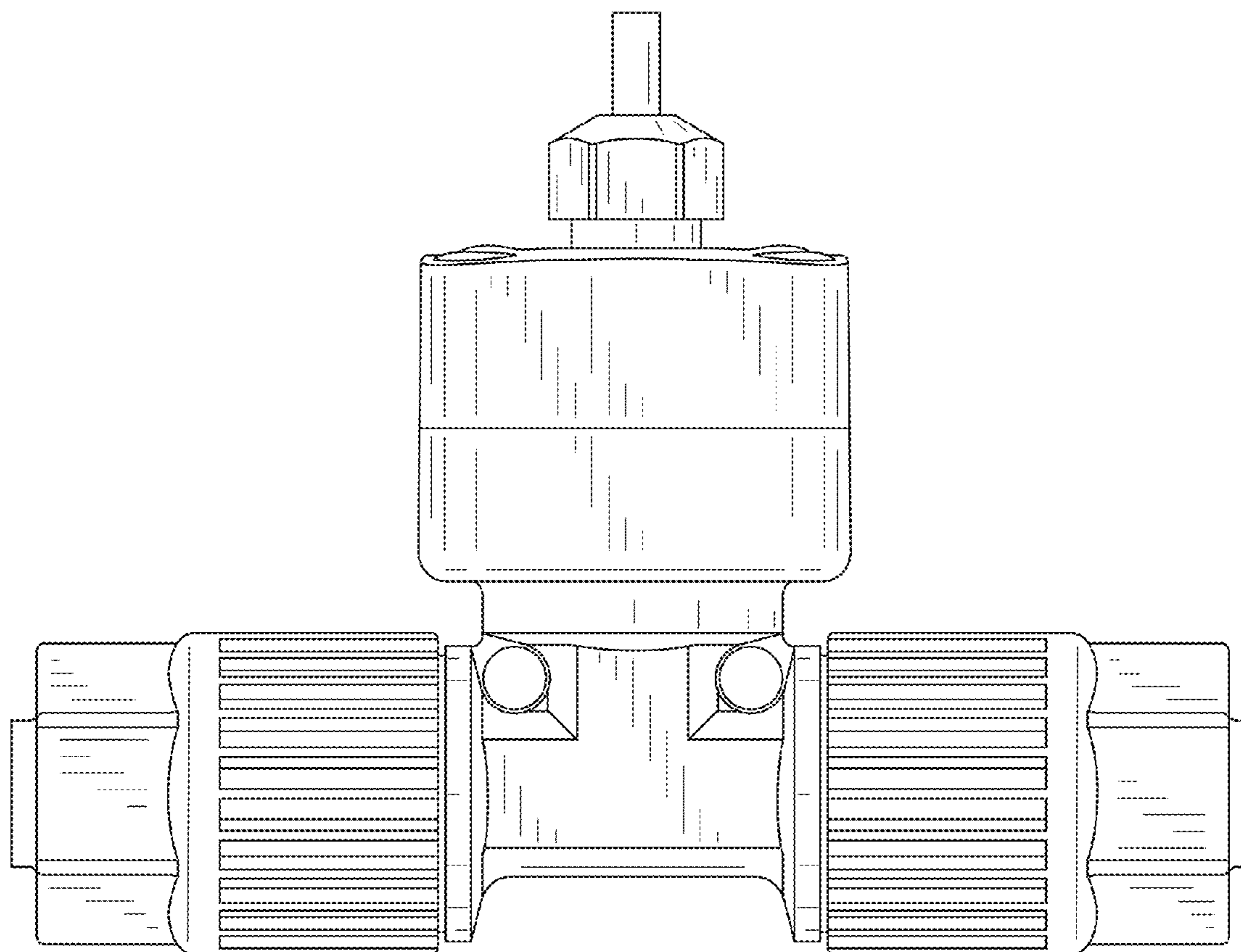


FIG. 1

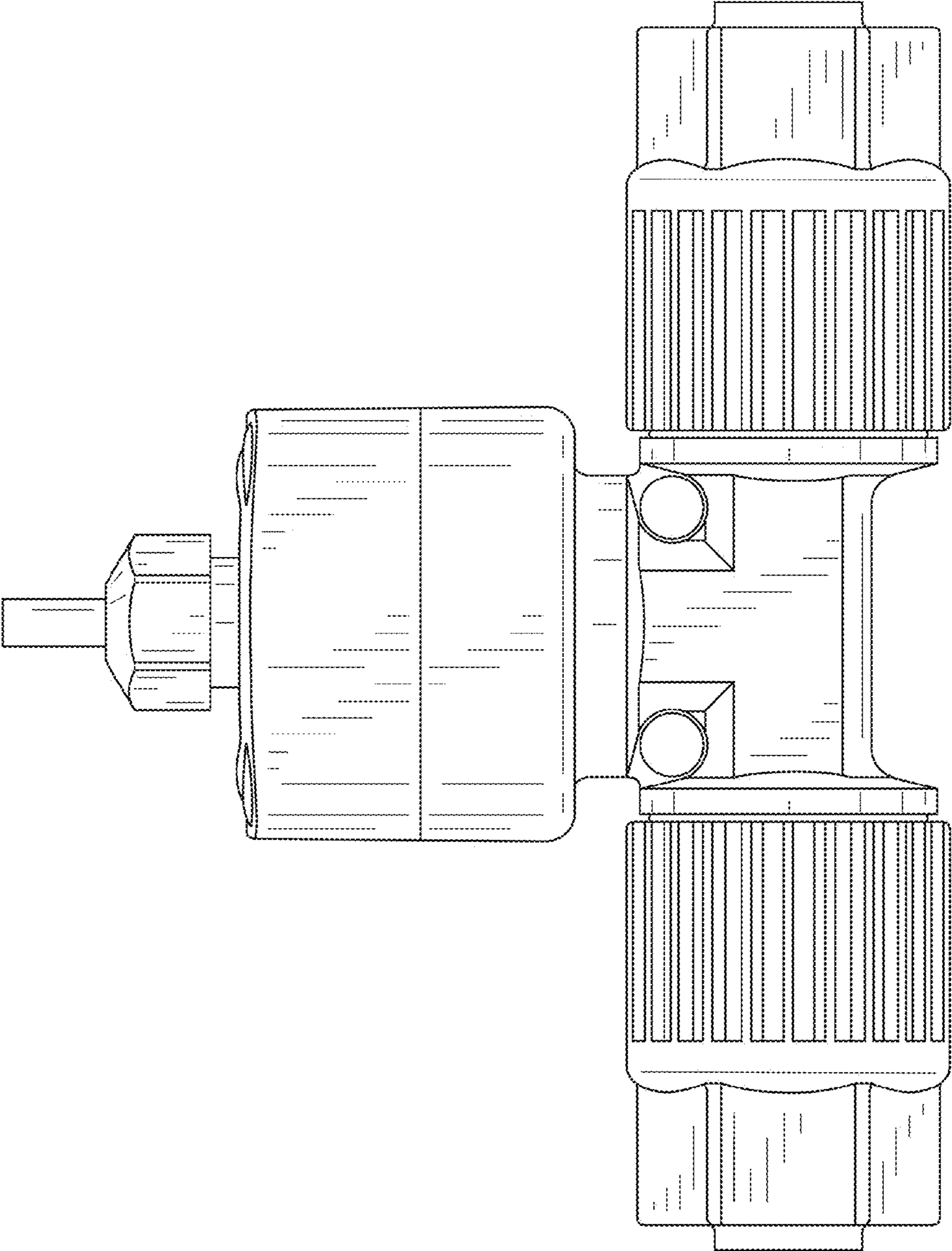


FIG. 2

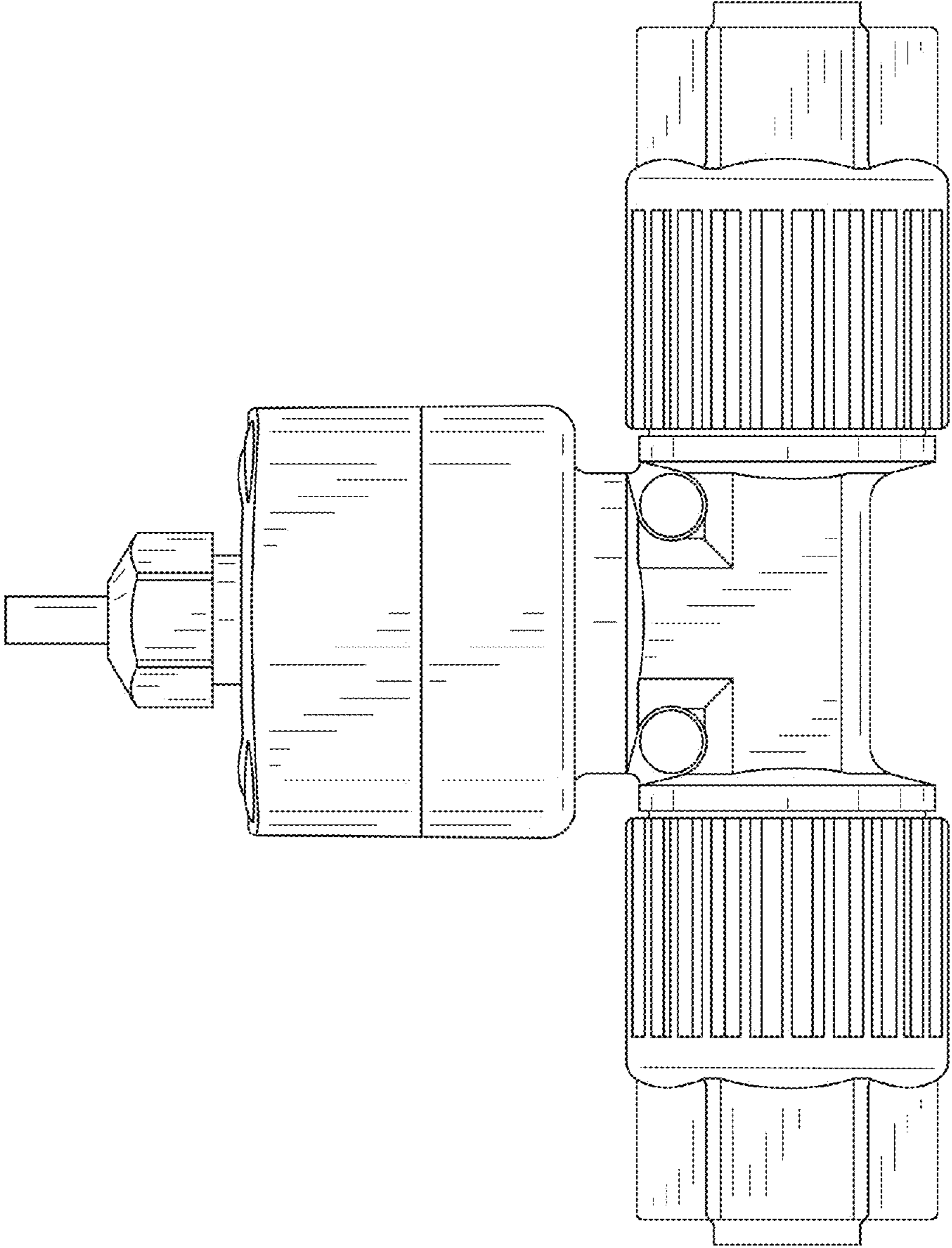


FIG. 3

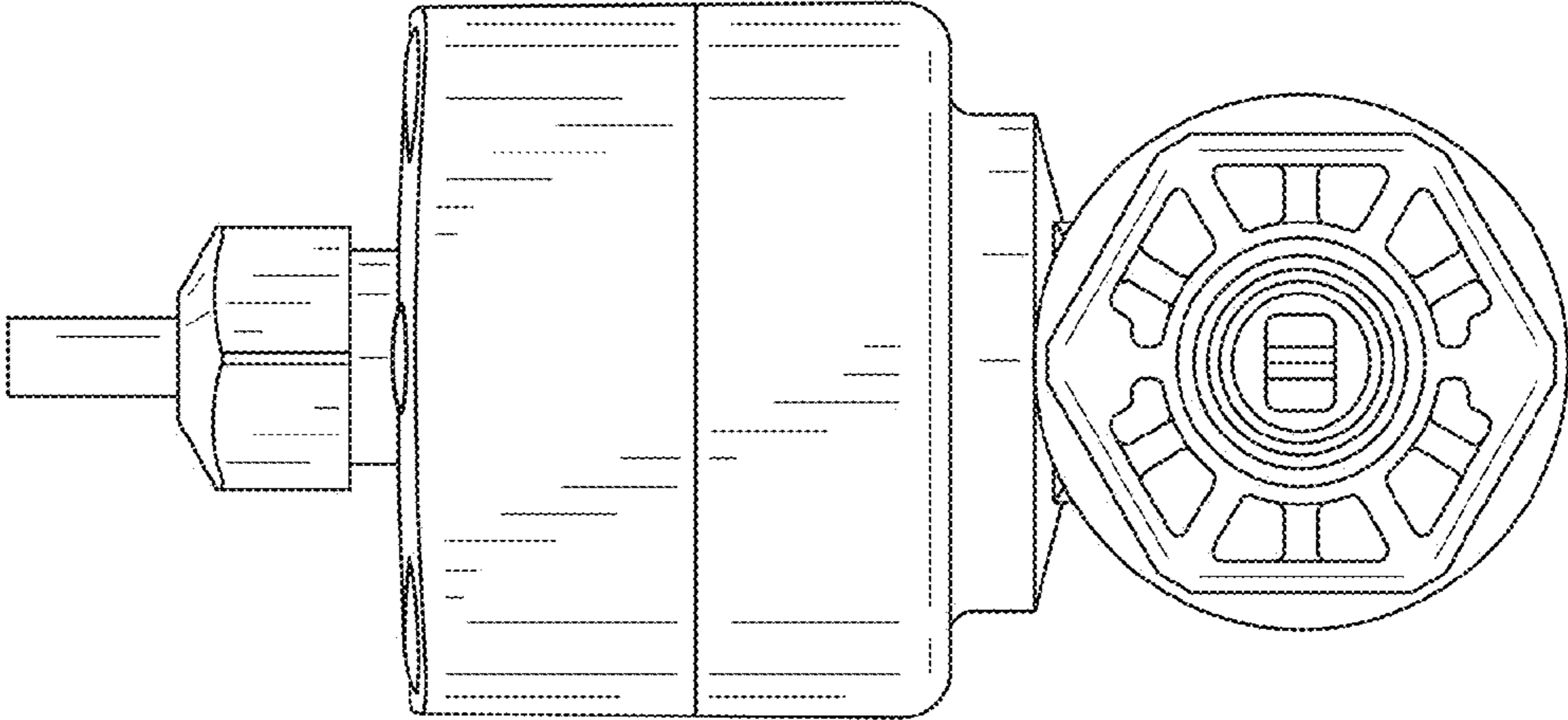


FIG. 4

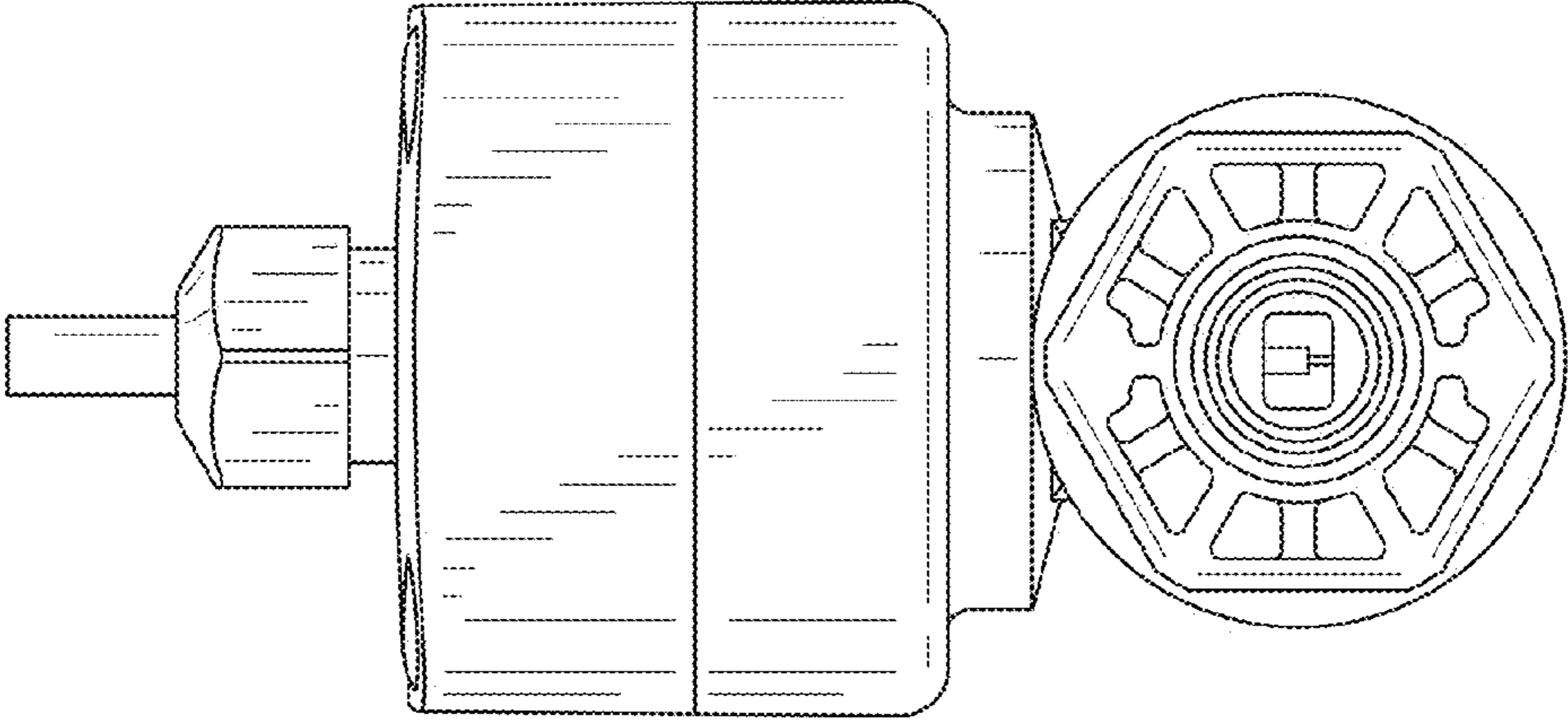




FIG. 5

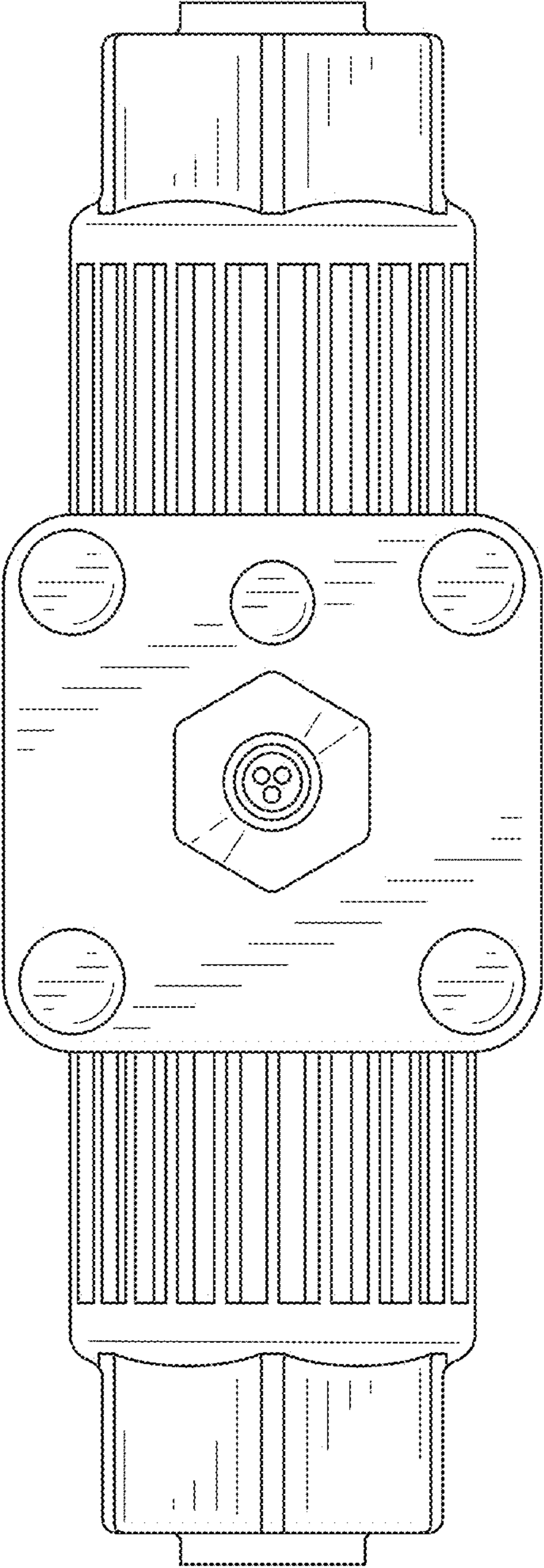


FIG. 6

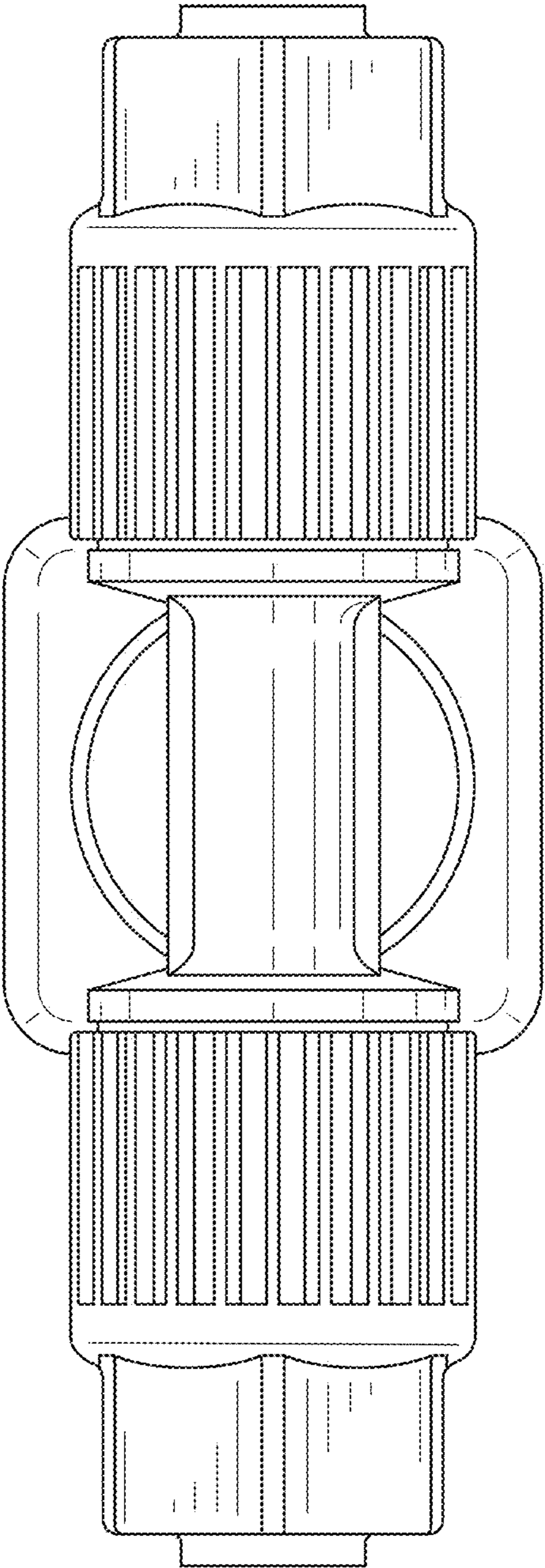


FIG. 7

