



US00D685659S

(12) **United States Design Patent**
Kimura

(10) **Patent No.:** **US D685,659 S**
(45) **Date of Patent:** **** Jul. 9, 2013**

(54) **MATERIAL TESTING MACHINE**

(74) *Attorney, Agent, or Firm* — Jianq Chyun IP Office

(75) Inventor: **Jun Kimura**, Kyoto Pref. (JP)

(57) **CLAIM**

The ornamental design for a material testing machine, as shown and described.

(73) Assignee: **Shimadzu Corporation**, Kyoto (JP)

(**) Term: **14 Years**

DESCRIPTION

(21) Appl. No.: **29/422,404**

FIG. 1 is a perspective view of a material testing machine showing a first embodiment of my new design;

(22) Filed: **May 21, 2012**

FIG. 2 is a front view of the first embodiment;

(30) **Foreign Application Priority Data**

Mar. 9, 2012 (JP) 2012-005319

FIG. 3 is a rear view of the first embodiment;

Mar. 9, 2012 (JP) 2012-005320

FIG. 4 is a left side view of the first embodiment;

(51) **LOC (9) Cl.** **10-04**

FIG. 5 is a right side view of the first embodiment;

(52) **U.S. Cl.**

USPC **D10/83**

FIG. 6 is a top view of the first embodiment;

(58) **Field of Classification Search**

USPC D10/83-85; D15/123; 73/760-854

FIG. 7 is a bottom view of the first embodiment;

See application file for complete search history.

FIG. 8 is a perspective reference view of the first embodiment in use;

(56) **References Cited**

U.S. PATENT DOCUMENTS

5,717,144 A * 2/1998 Dunaway 73/818

8,322,227 B2 * 12/2012 Shen et al. 73/827

FIG. 9 is a perspective view of a material testing machine showing a second embodiment of my new design;

FIG. 10 is a front view of the second embodiment;

FIG. 11 is a rear view of the second embodiment;

FIG. 12 is a left side view of the second embodiment;

FIG. 13 is a right side view of the second embodiment;

FIG. 14 is a top view of the second embodiment;

FIG. 15 is a bottom view of FIG. 9; and,

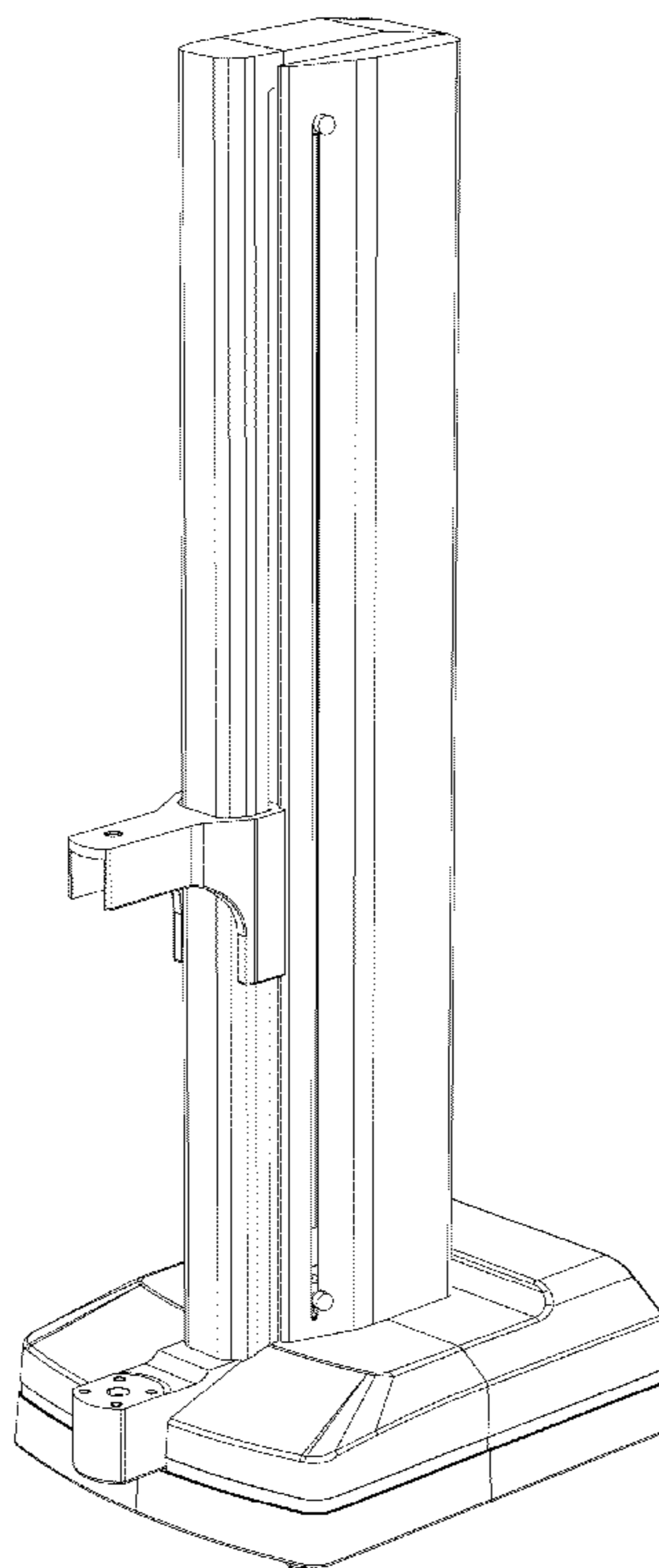
FIG. 16 is a perspective reference view of the second embodiment in use.

The portions of the material testing machine in broken lines in FIGS. 8 and 16 form no part of the claimed design.

* cited by examiner

Primary Examiner — Antoine D Davis

1 Claim, 16 Drawing Sheets



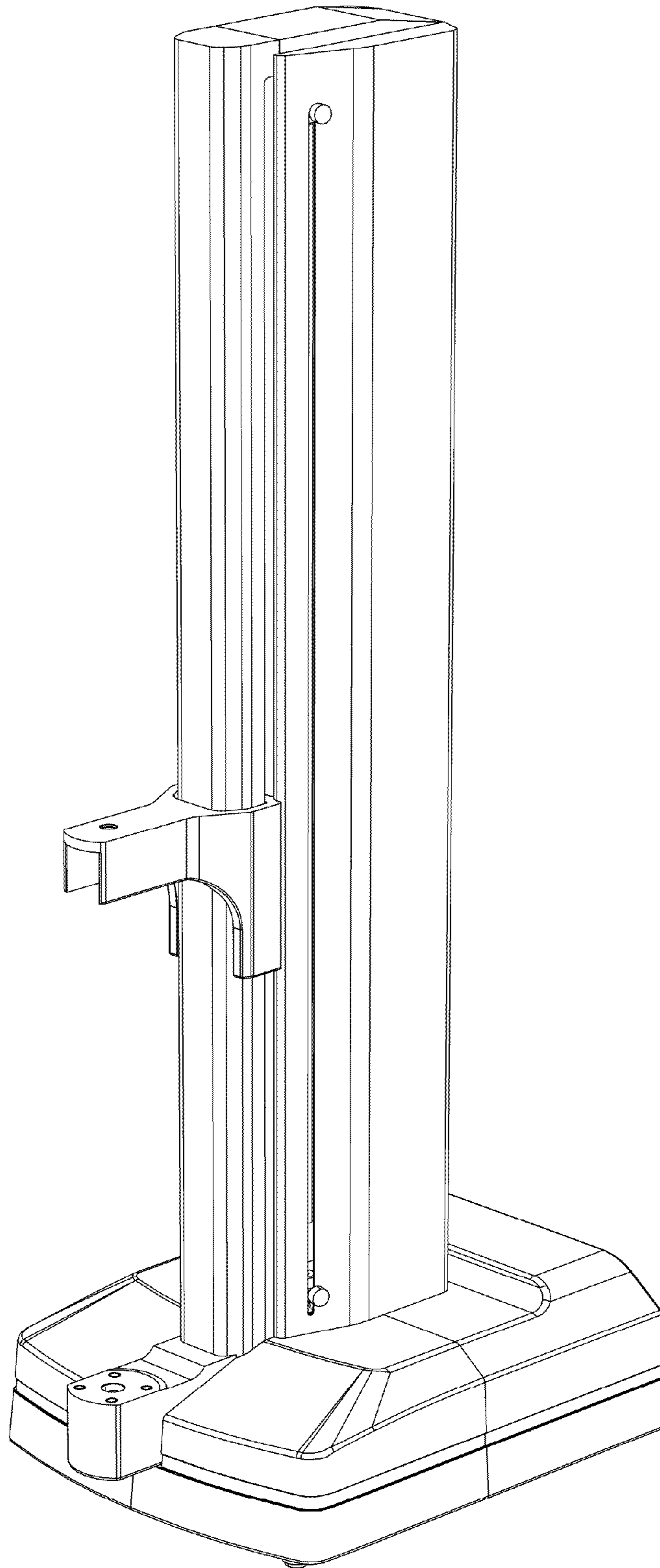


FIG. 1

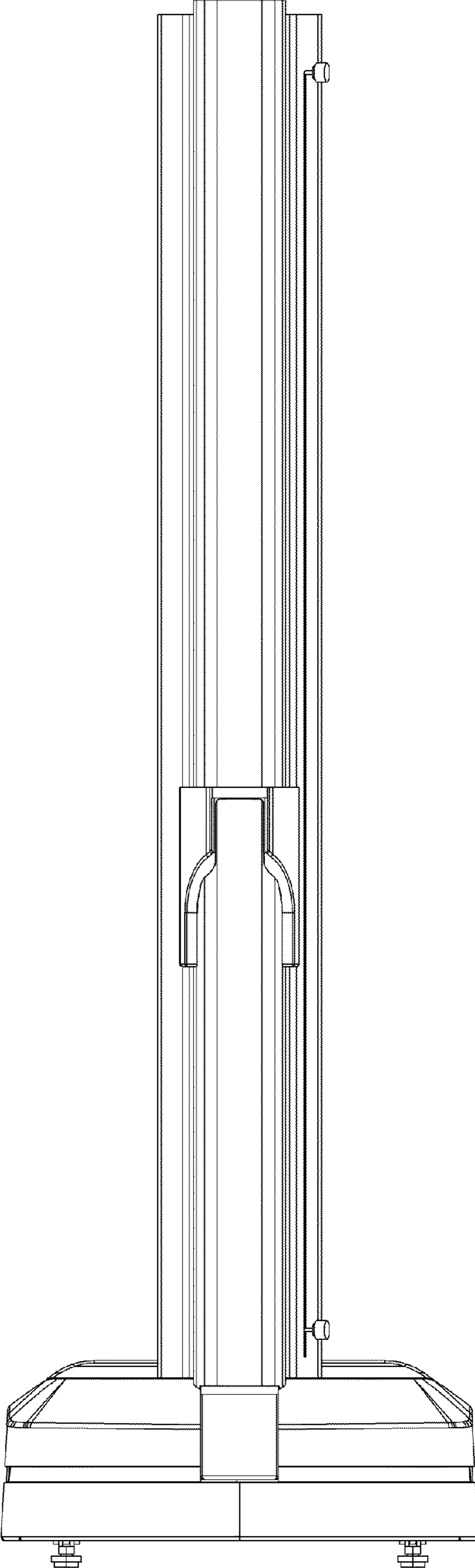


FIG. 2

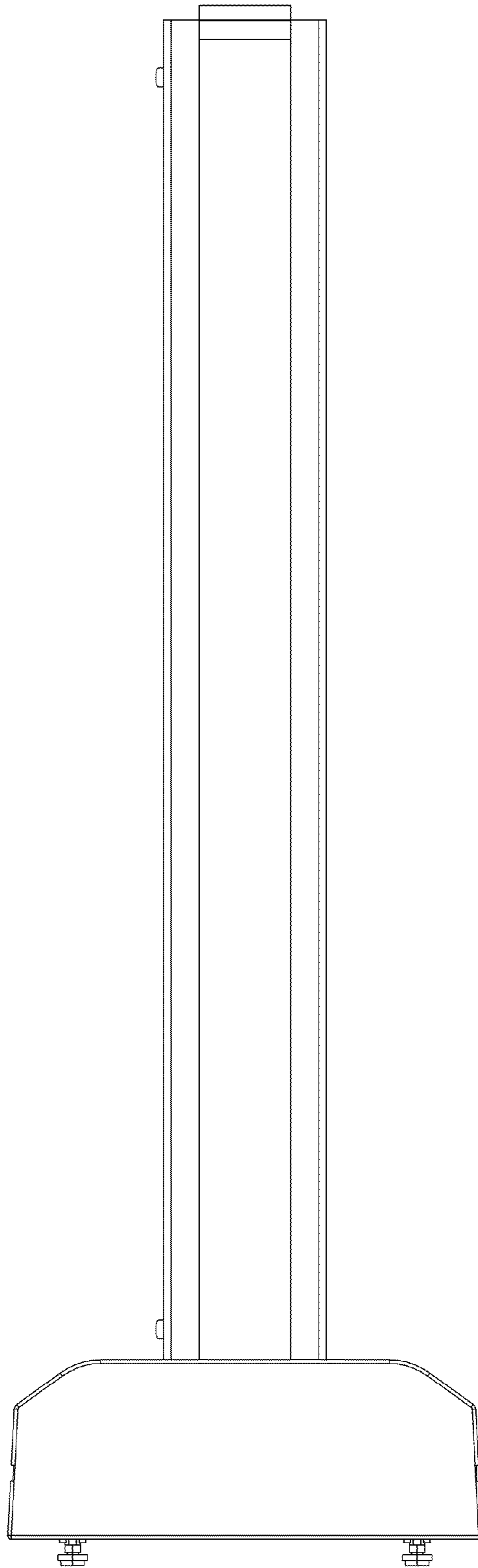


FIG. 3

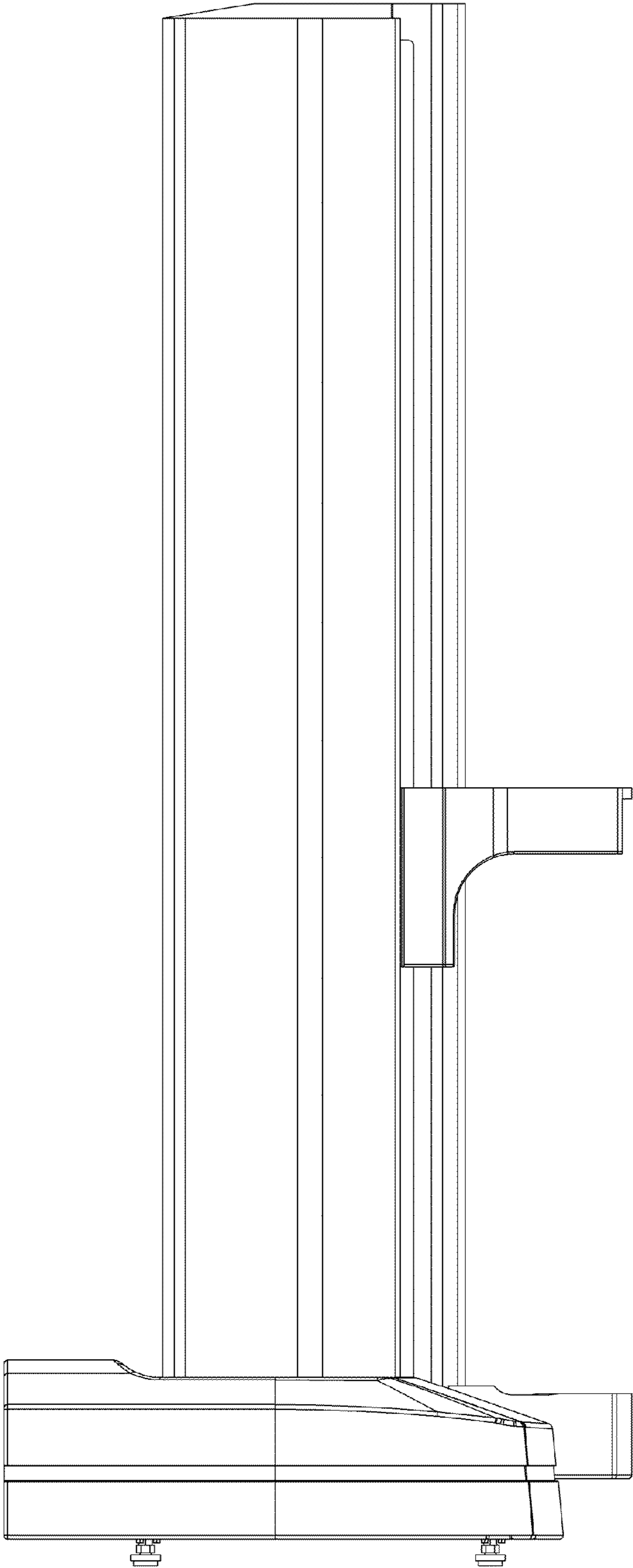


FIG. 4

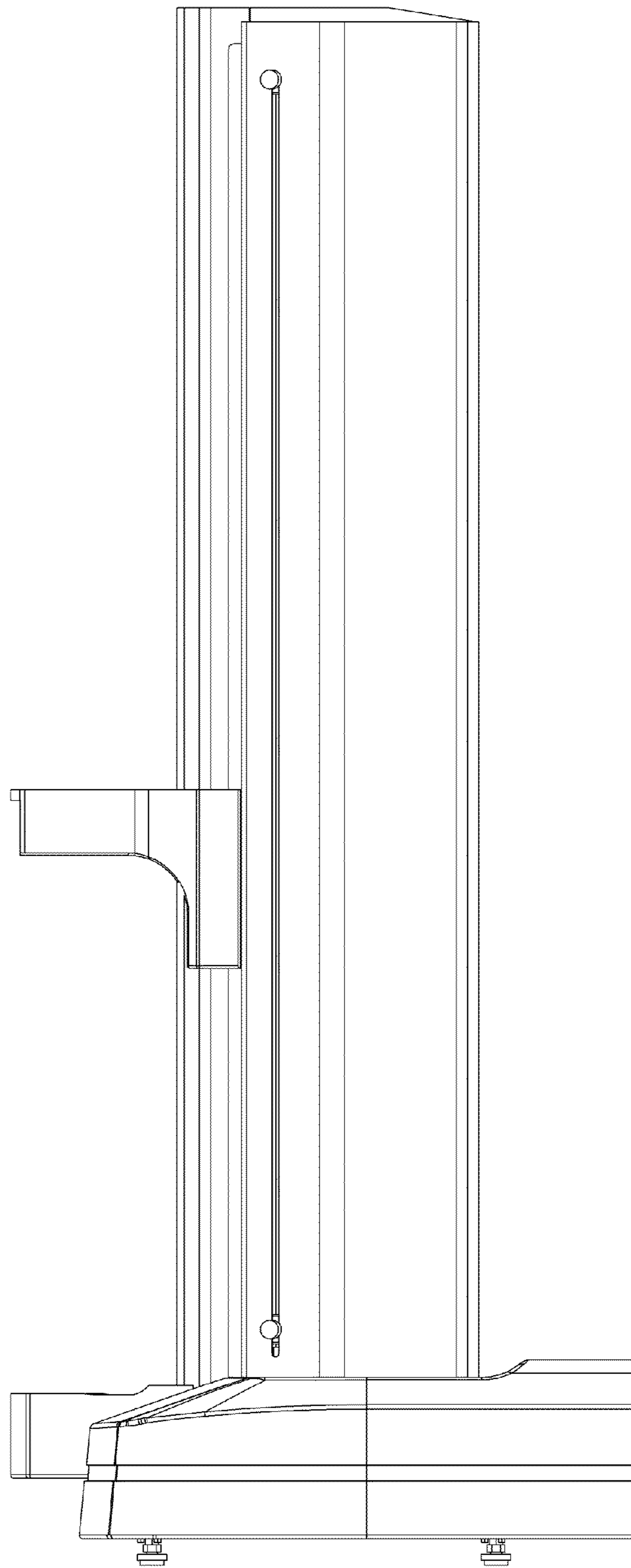


FIG. 5

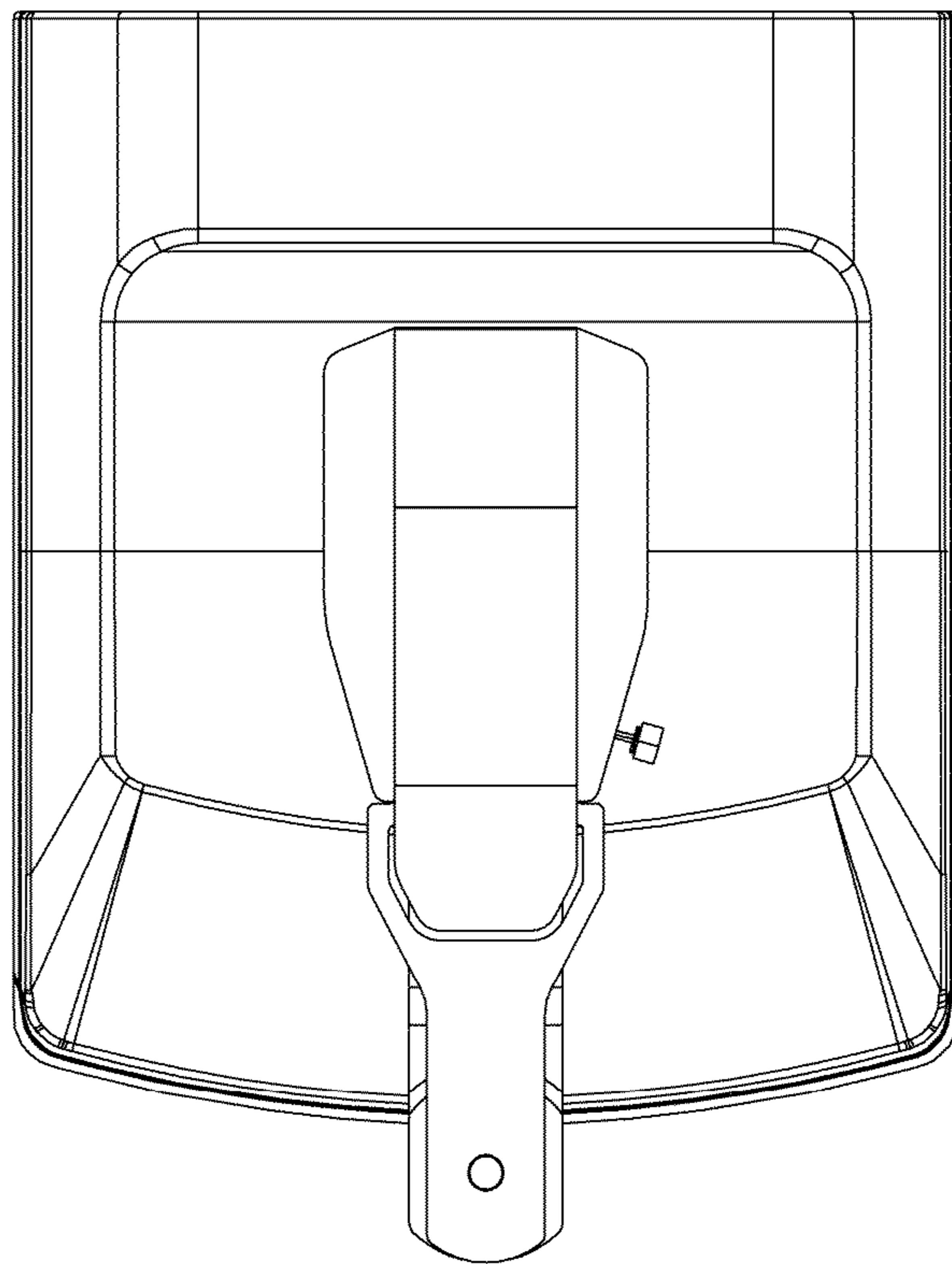


FIG. 6

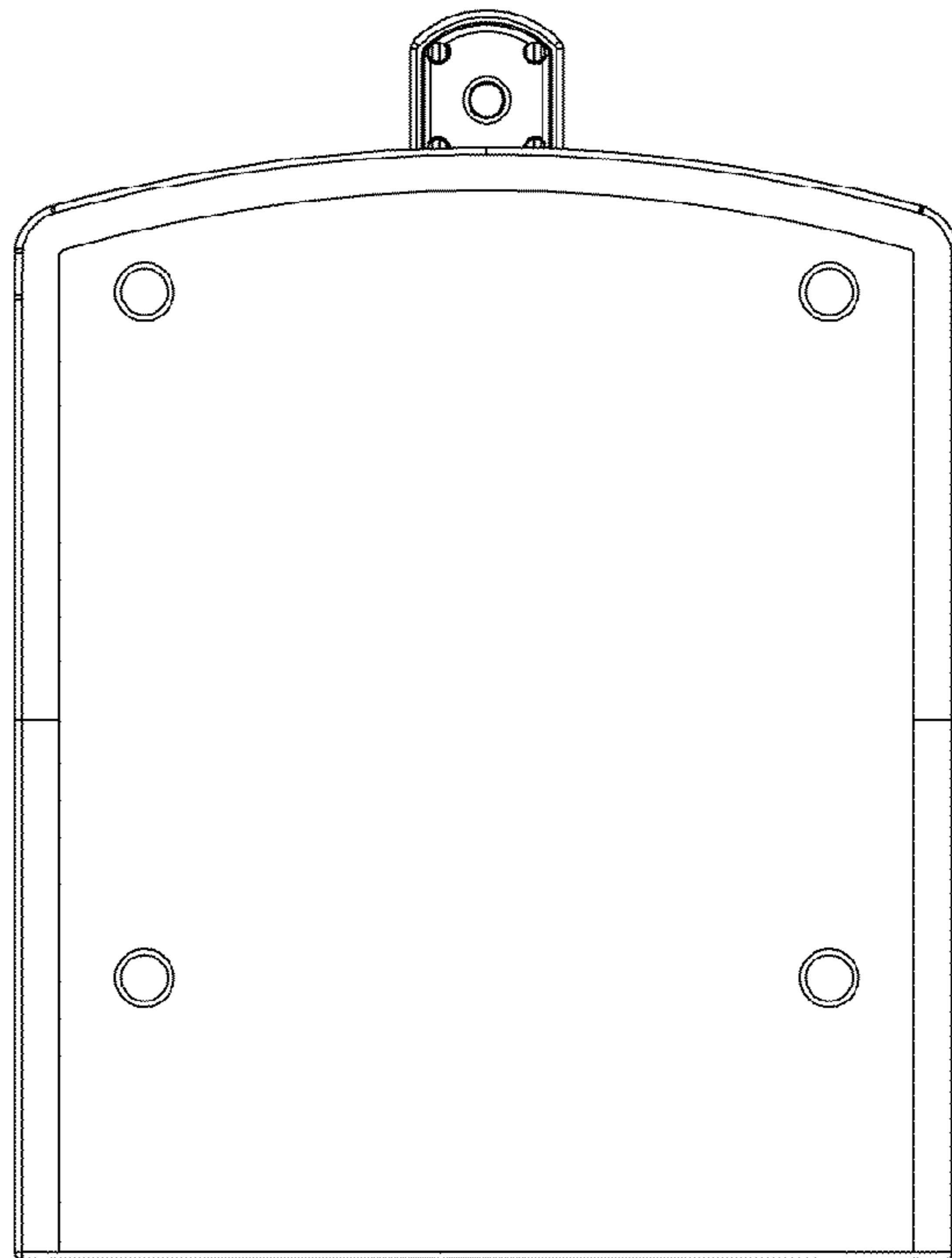


FIG. 7

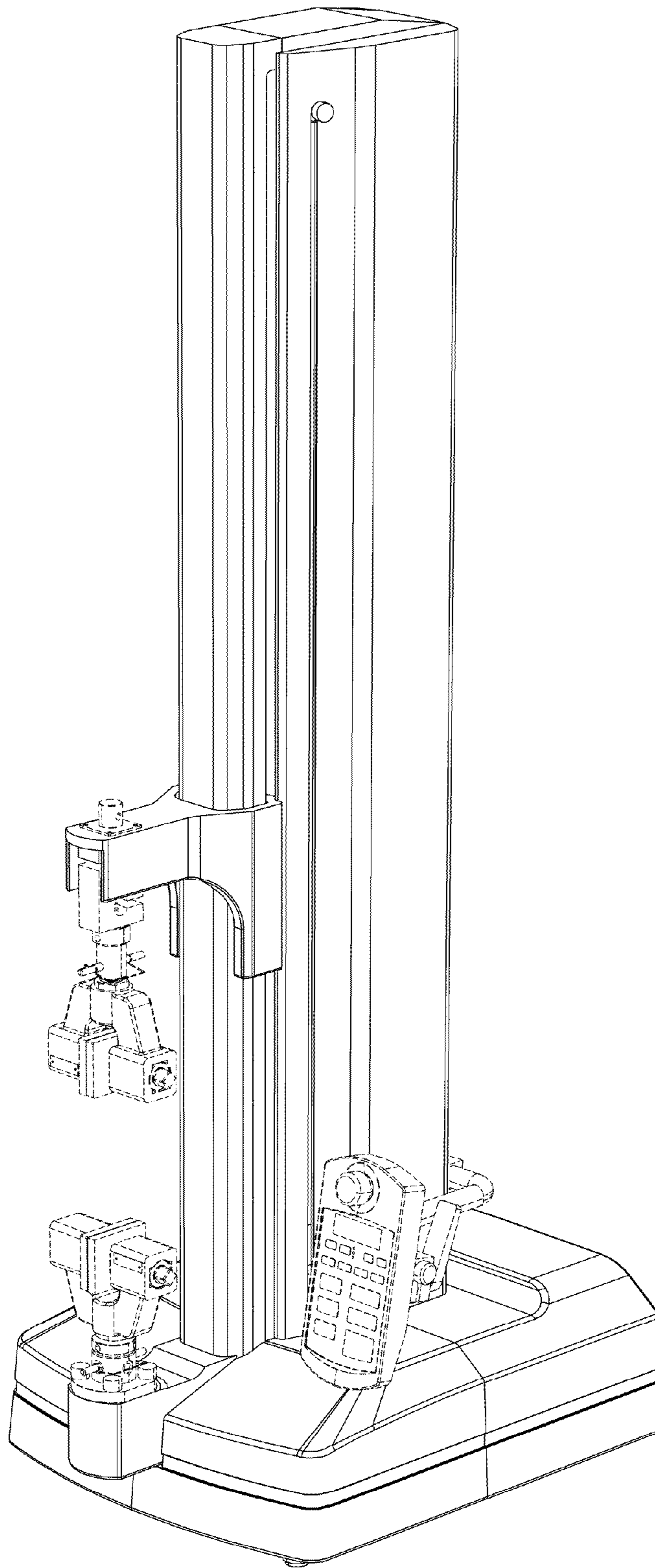


FIG. 8

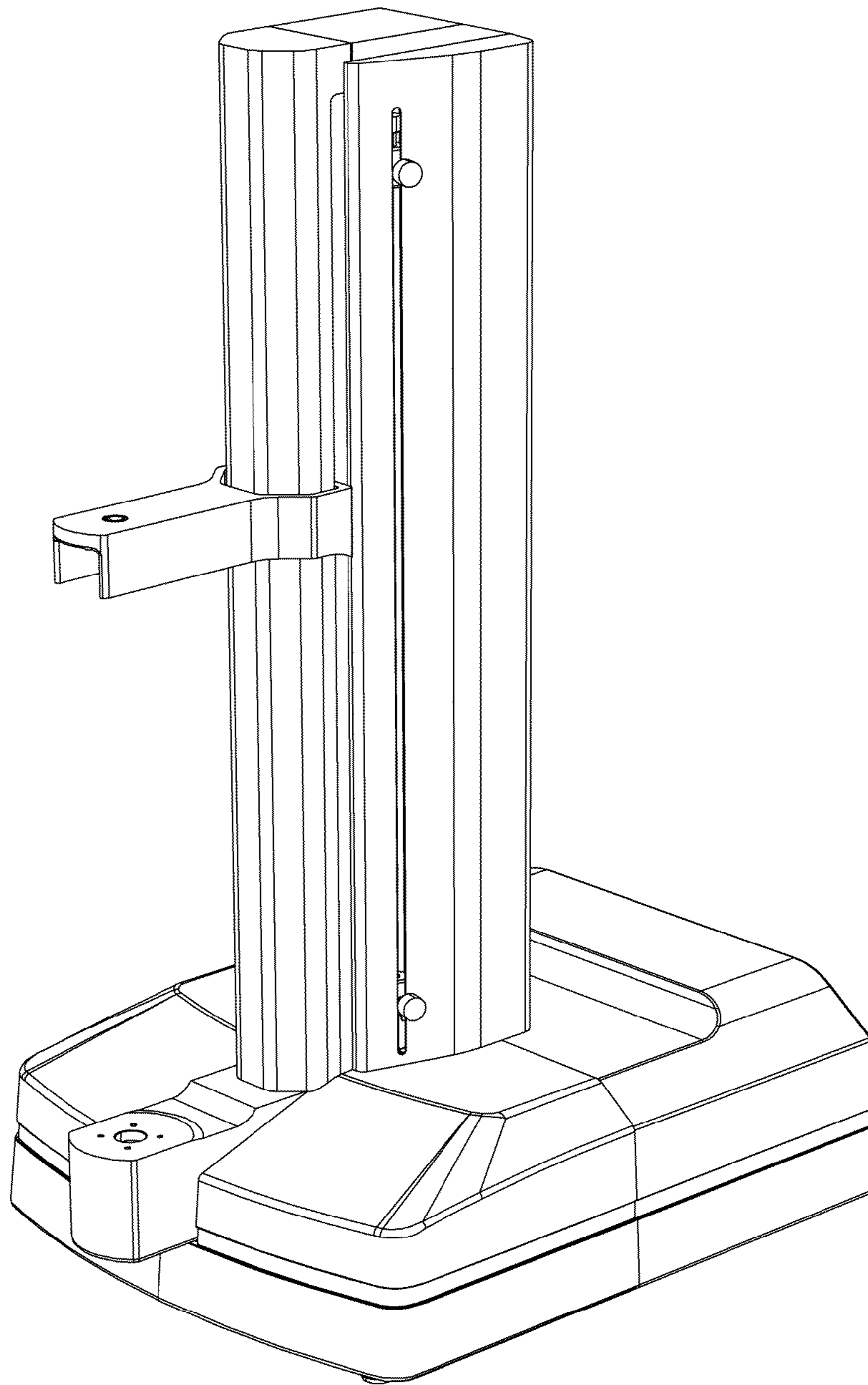


FIG. 9

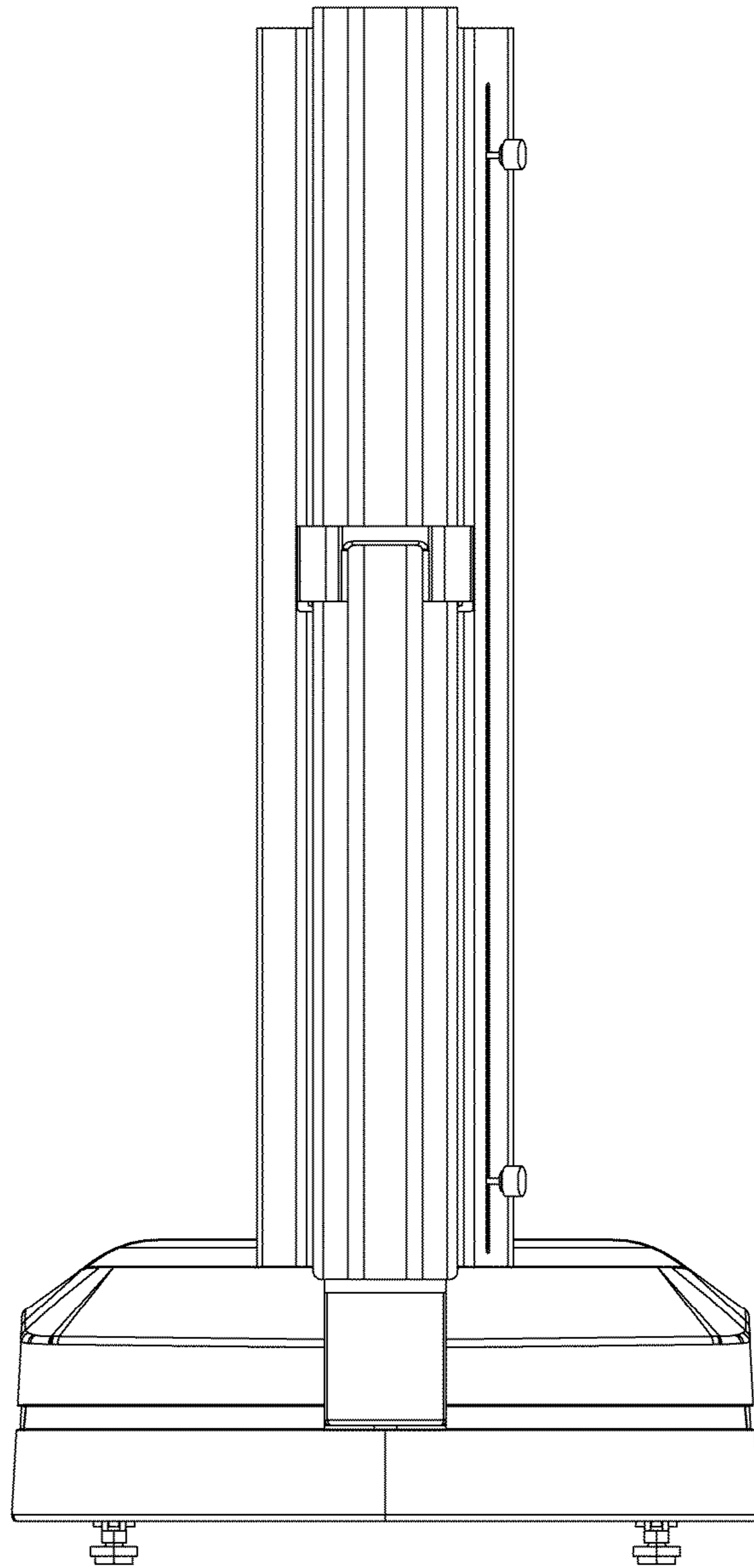


FIG. 10

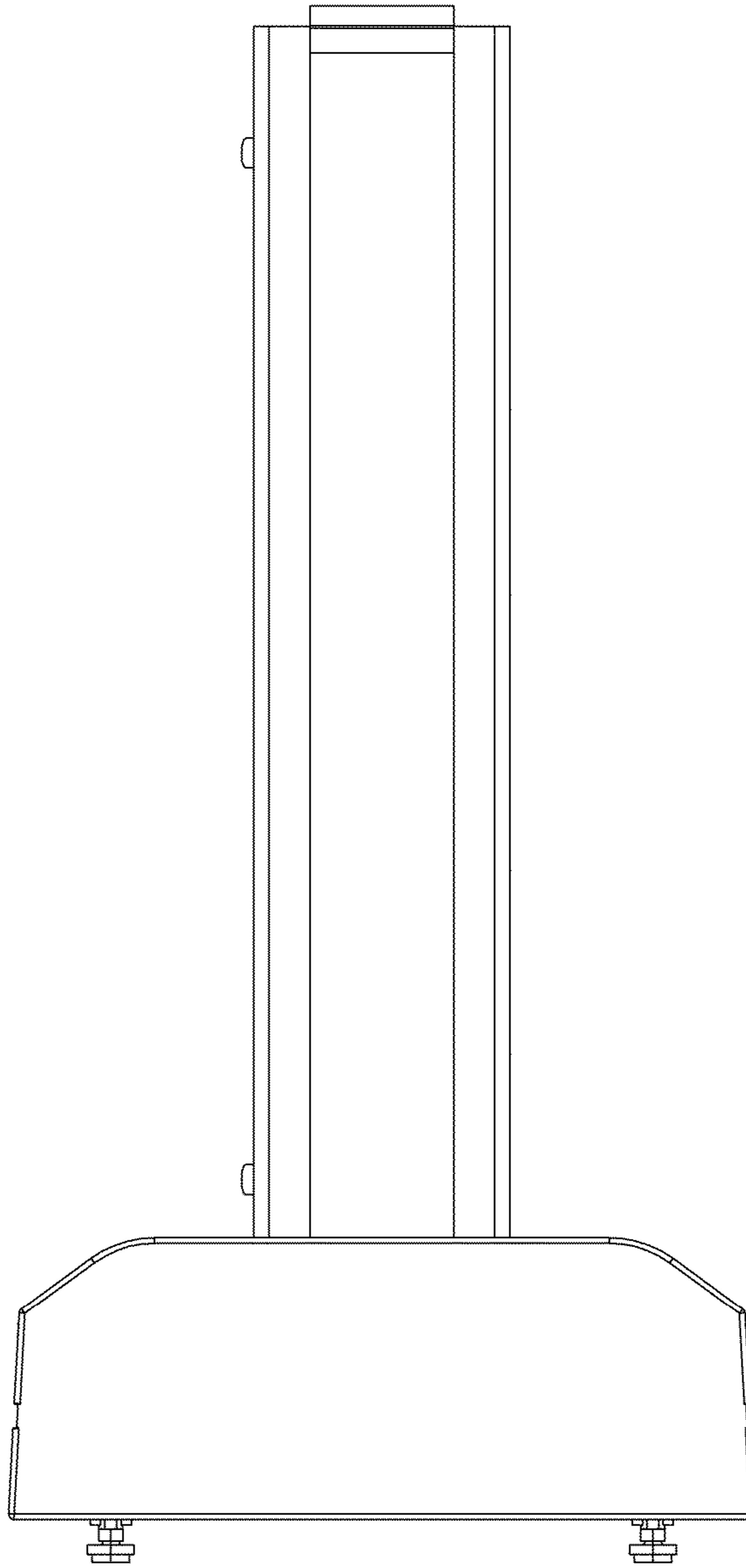


FIG. 11

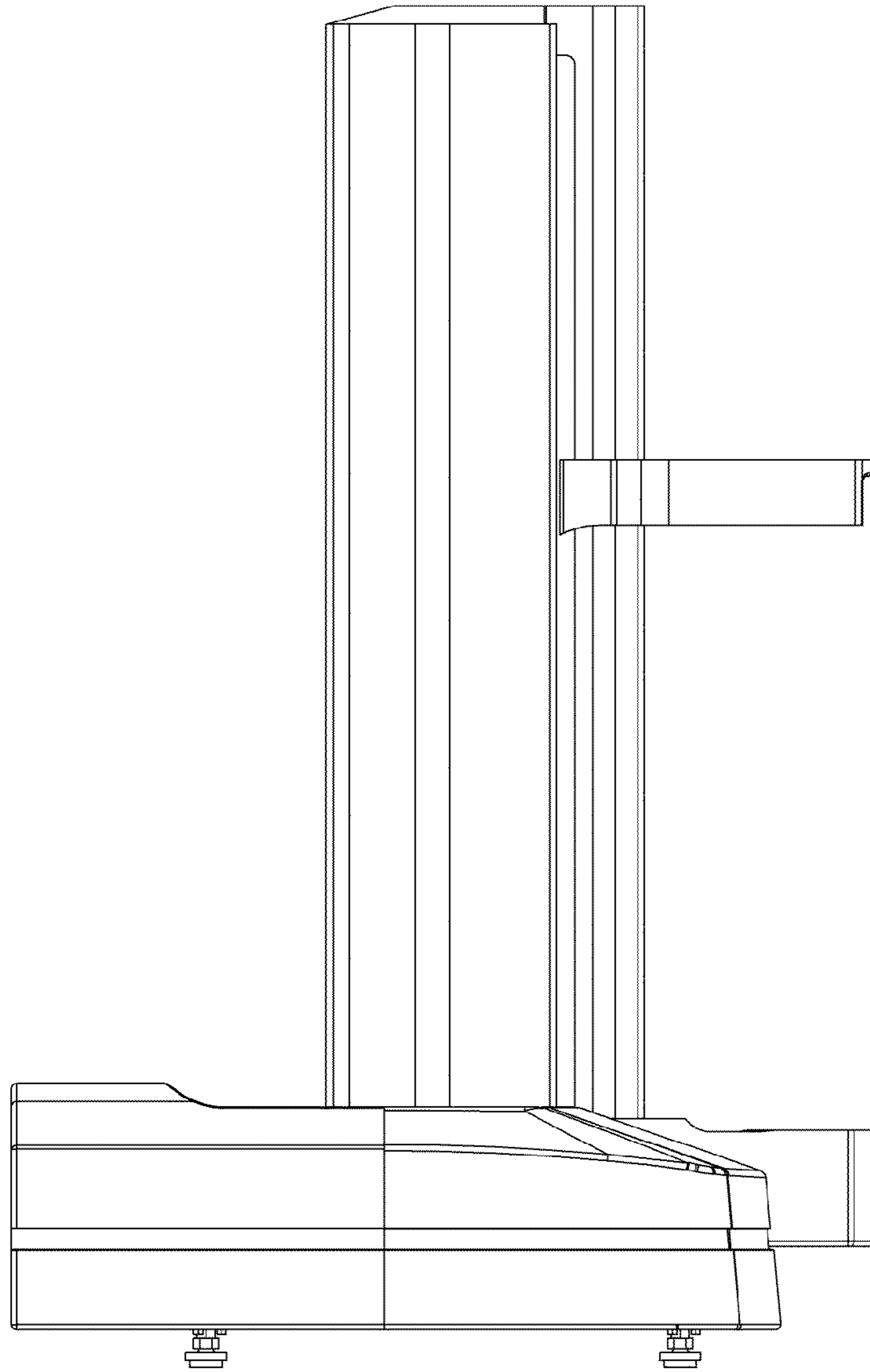


FIG. 12

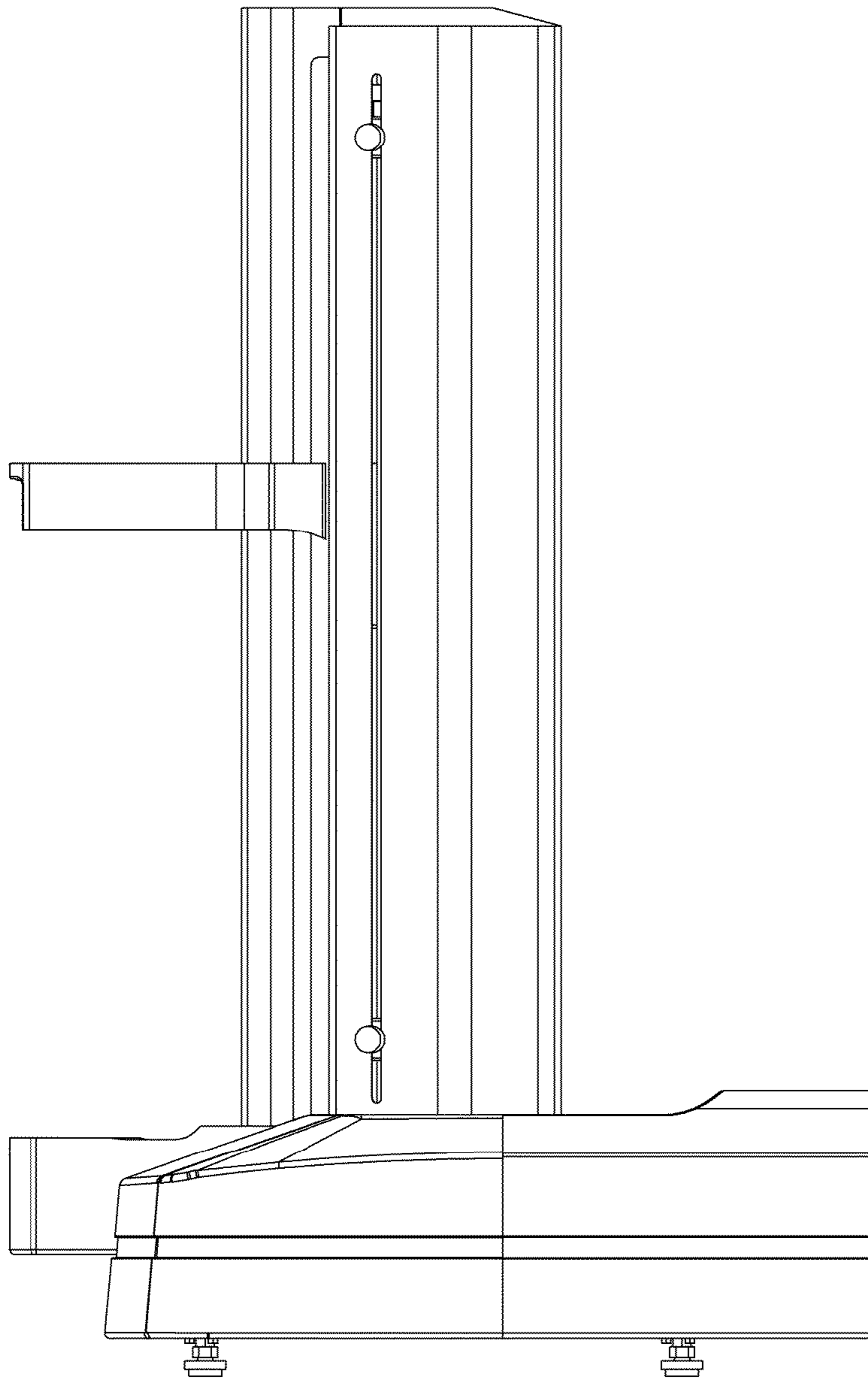


FIG. 13

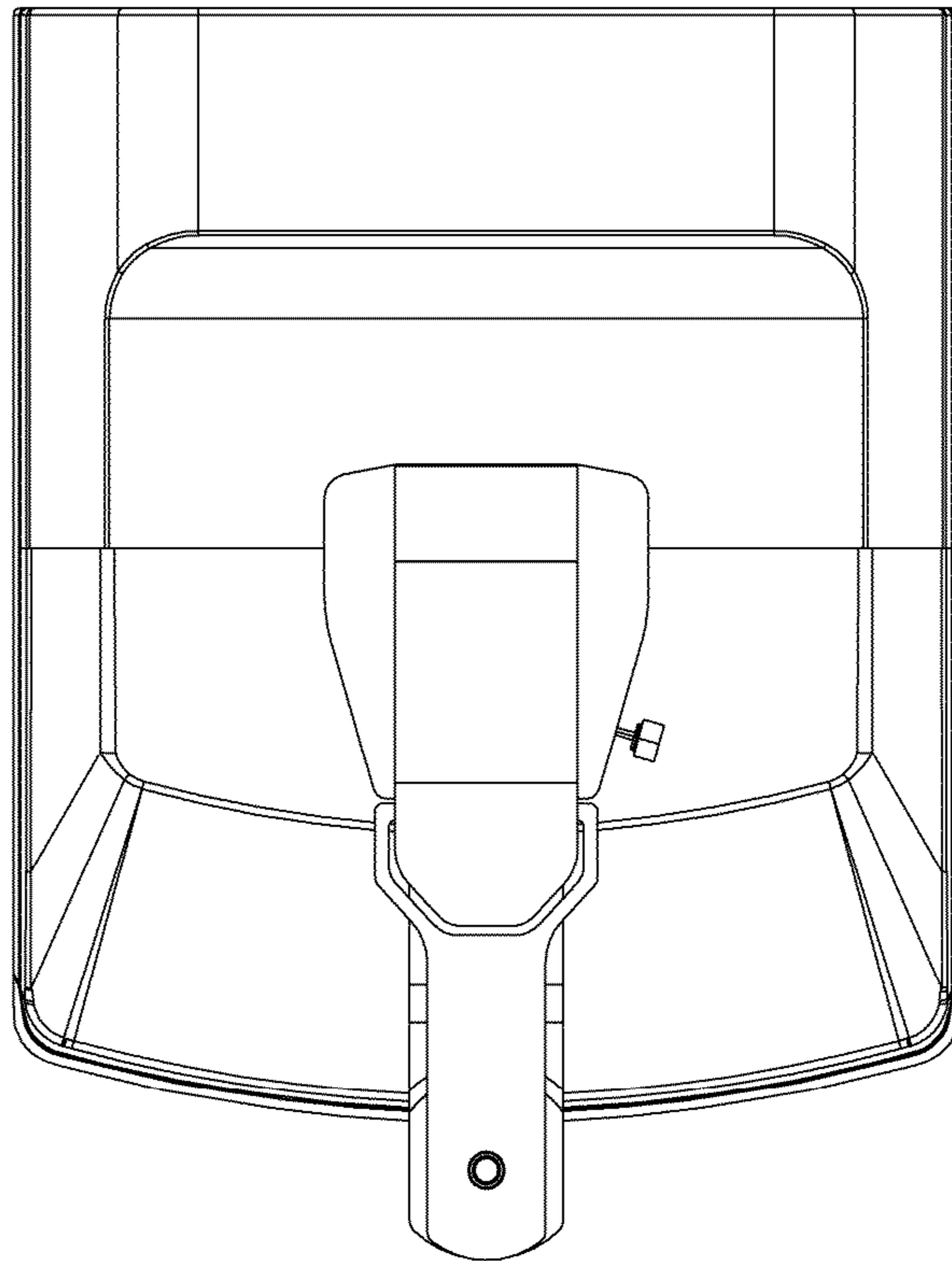


FIG. 14

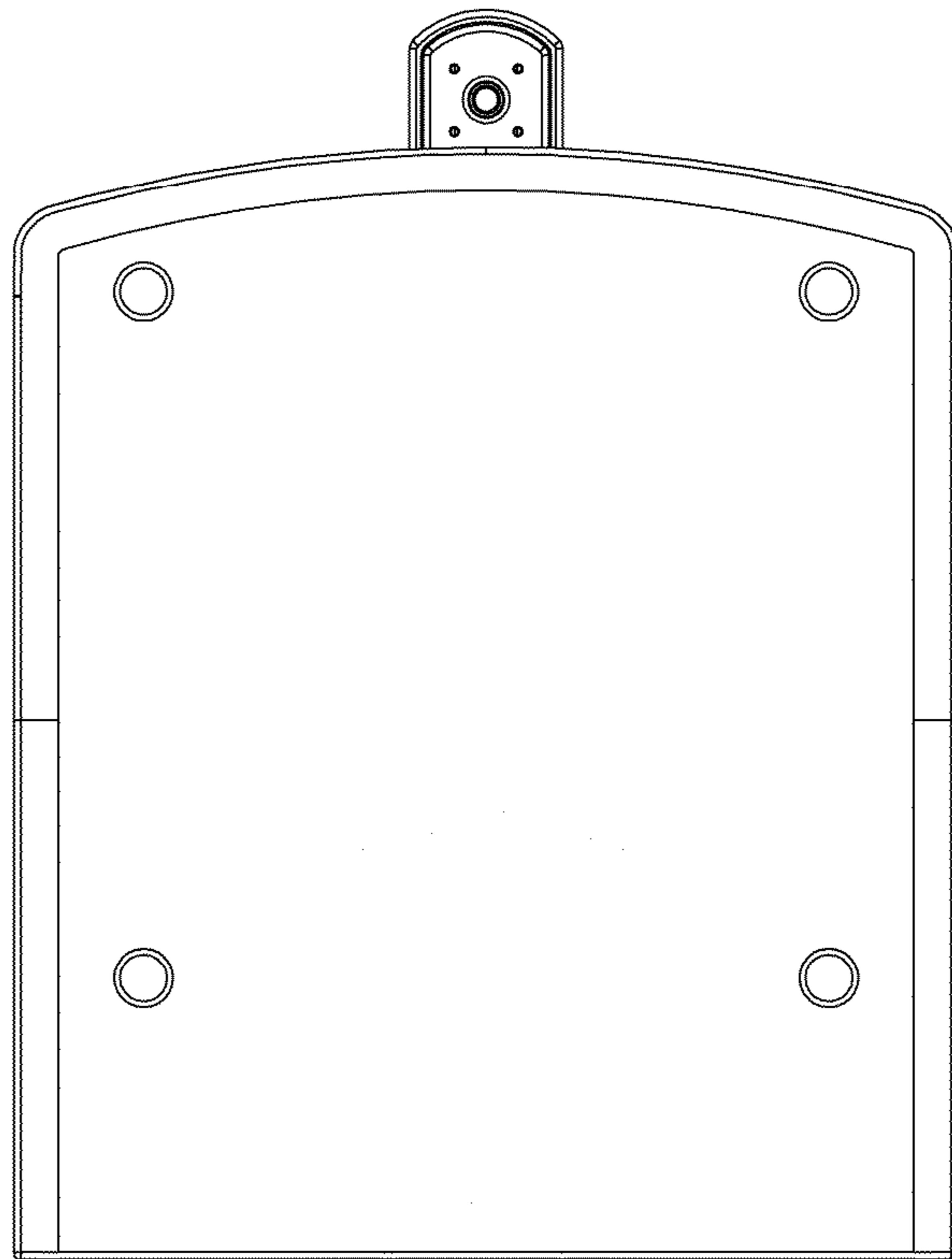


FIG. 15

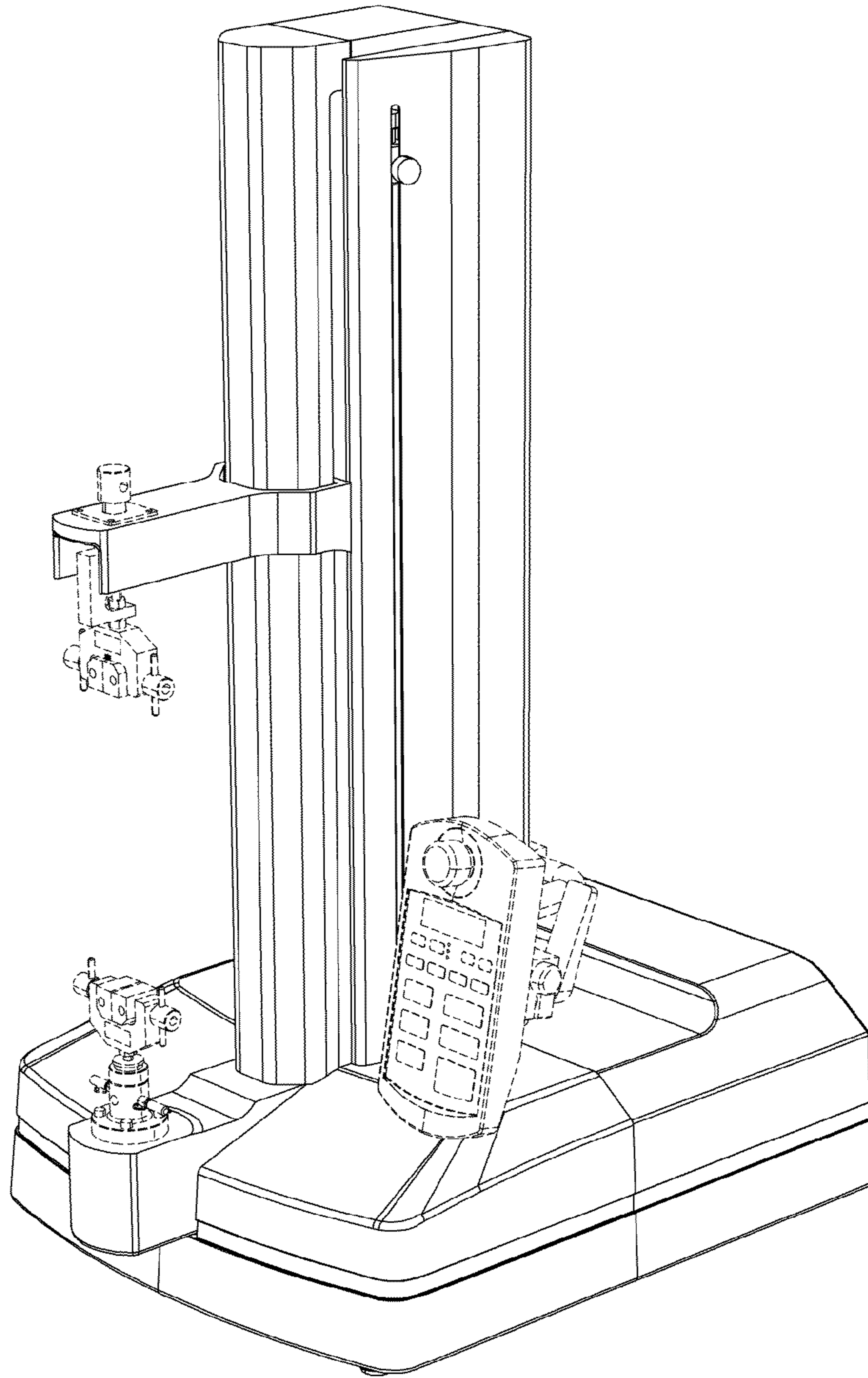


FIG. 16