



US00D685654S

(12) **United States Design Patent**  
**Akana et al.**

(10) **Patent No.:** **US D685,654 S**  
(45) **Date of Patent:** **\*\* Jul. 9, 2013**

(54) **PACKAGING**

(71) Applicant: **Apple Inc.**, Cupertino, CA (US)

(72) Inventors: **Jody Akana**, San Francisco, CA (US);  
**Bartley K. Andre**, Menlo Park, CA (US);  
**Jeremy Bataillou**, San Francisco, CA (US);  
**Daniel J. Coster**, San Francisco, CA (US);  
**Daniele De Iuliis**, San Francisco, CA (US);  
**M. Evans Hankey**, San Francisco, CA (US);  
**Richard P. Howarth**, San Francisco, CA (US);  
**Jonathan P. Ive**, San Francisco, CA (US);  
**Duncan Robert Kerr**, San Francisco, CA (US);  
**Shin Nishibori**, Kailua, HI (US);  
**Matthew Dean Rohrbach**, San Francisco, CA (US);  
**Peter Russell-Clarke**, San Francisco, CA (US);  
**Christopher J. Stringer**, Woodside, CA (US);  
**Eugene Antony Whang**, San Francisco, CA (US);  
**Rico Zorkendorfer**, San Francisco, CA (US)

(73) Assignee: **Apple Inc.**, Cupertino, CA (US)

(\*\*) Term: **14 Years**

(21) Appl. No.: **29/441,772**

(22) Filed: **Jan. 9, 2013**

**Related U.S. Application Data**

(63) Continuation of application No. 29/426,064, filed on Jun. 29, 2010, now Pat. No. Des. 674,709, which is a continuation of application No. 29/363,816, filed on Jun. 15, 2010, now Pat. No. Des. 662,835, which is a continuation-in-part of application No. 29/354,604, filed on Jan. 26, 2010, now abandoned.

(51) **LOC (9) Cl.** ..... **09-03**

(52) **U.S. Cl.**  
USPC ..... **D9/737; D9/432**

(58) **Field of Classification Search**

USPC ..... D9/430-433, 414, 418, 420-423,  
D9/529, 560; 206/278, 297, 299, 433, 457,  
206/770, 737, 769, 776, 777, 778, 320; 229/100,  
229/101, 103.3, 106, 107, 108, 108.1, 109,  
229/110, 112, 116, 116.5, 117, 117.01, 117.05,  
229/117.03-117.08, 121, 122, 122.24, 122.29,  
229/125.015, 126, 152, 181.1, 185.1, 186,  
229/201, 917, 922, 923, 930-933, 935, 937,  
229/939, 942; 220/796

See application file for complete search history.

(56) **References Cited**

U.S. PATENT DOCUMENTS

D22,290 S 3/1893 Burnworth  
D168,664 S 1/1953 Van Dyke

(Continued)

*Primary Examiner* — Thomas Johannes

(74) *Attorney, Agent, or Firm* — Sterne, Kessler, Goldstein & Fox P.L.L.C.

(57) **CLAIM**

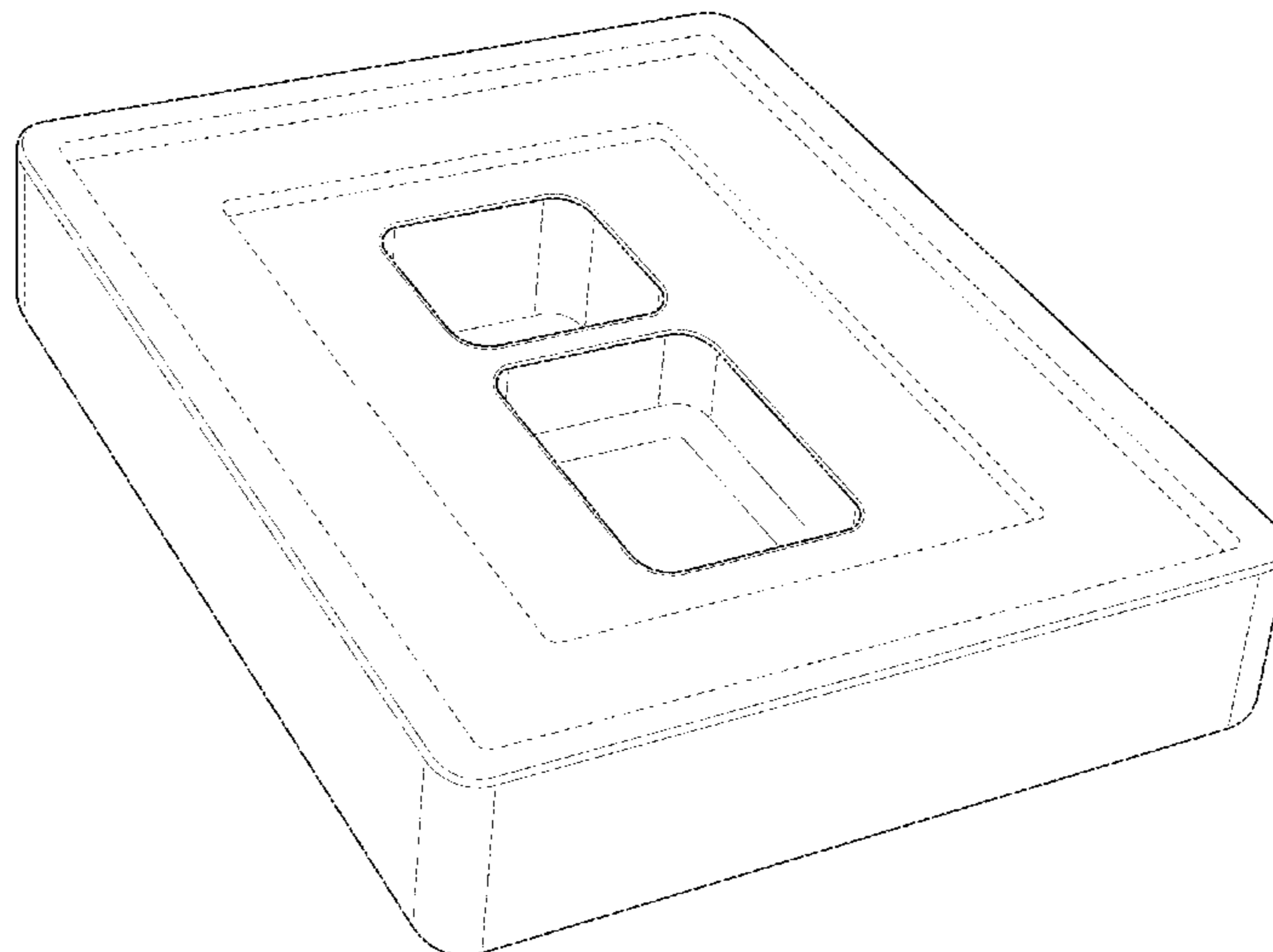
The ornamental design for packaging, as shown and described.

**DESCRIPTION**

FIG. 1 is a front perspective view of packaging showing our new design;  
FIG. 2 is a bottom perspective view thereof;  
FIG. 3 is a front view thereof;  
FIG. 4 is a rear view thereof;  
FIG. 5 is a side view thereof;  
FIG. 6 is another side view thereof;  
FIG. 7 is a bottom view thereof; and,  
FIG. 8 is a top plan view thereof.

The broken line portion of the figure drawings is included to show unclaimed subject matter only and forms no part of the claimed design.

**1 Claim, 6 Drawing Sheets**



# US D685,654 S

Page 2

| U.S. PATENT DOCUMENTS |    |         |                    |              |    |         |                          |
|-----------------------|----|---------|--------------------|--------------|----|---------|--------------------------|
| 3,324,999             | A  | 6/1967  | Farquhar           | D504,563     | S  | 5/2005  | Broussard et al.         |
| 3,347,445             | A  | 10/1967 | Wood               | 7,117,993    | B2 | 10/2006 | Koike                    |
| 3,802,555             | A  | 4/1974  | Grasty et al.      | D558,571     | S  | 1/2008  | Andre et al.             |
| 3,850,333             | A  | 11/1974 | Reichert           | D572,588     | S  | 7/2008  | Osborn et al.            |
| D237,315              | S  | 10/1975 | Nowakowski et al.  | D576,484     | S  | 9/2008  | Koza et al.              |
| D237,317              | S  | 10/1975 | Nowakowski et al.  | D590,708     | S  | 4/2009  | Maguire et al.           |
| 3,931,923             | A  | 1/1976  | Thurston           | D592,968     | S  | 5/2009  | Lee et al.               |
| 4,085,845             | A  | 4/1978  | Perfect            | D595,056     | S  | 6/2009  | Pettersson               |
| D248,731              | S  | 8/1978  | Ogawa              | D596,025     | S  | 7/2009  | Mordechai                |
| D255,310              | S  | 6/1980  | Spencer            | D596,485     | S  | 7/2009  | Andre et al.             |
| D280,290              | S  | 8/1985  | Bakus              | D606,855     | S  | 12/2009 | Jo et al.                |
| D294,459              | S  | 3/1988  | Wendel             | D610,450     | S  | 2/2010  | Lessard                  |
| 4,739,353             | A  | 4/1988  | Heuer et al.       | D615,320     | S  | 5/2010  | Griffin et al.           |
| D310,488              | S  | 9/1990  | Callinan           | D620,352     | S  | 7/2010  | Liipola et al.           |
| 4,993,547             | A  | 2/1991  | Pallasch et al.    | D620,795     | S  | 8/2010  | Andre et al.             |
| D318,420              | S  | 7/1991  | Amelse             | D621,256     | S  | 8/2010  | Andre et al.             |
| D323,986              | S  | 2/1992  | Ferrero            | D628,825     | S  | 12/2010 | Nielsen                  |
| D339,059              | S  | 9/1993  | Koehler            | D631,558     | S  | 1/2011  | Harmston et al.          |
| D339,287              | S  | 9/1993  | Levin              | 7,878,326    | B2 | 2/2011  | Andre et al.             |
| D339,523              | S  | 9/1993  | Bennett            | D633,388     | S  | 3/2011  | Andre et al.             |
| 5,295,580             | A  | 3/1994  | Hicks              | D635,455     | S  | 4/2011  | Andre et al.             |
| D369,469              | S  | 5/1996  | Gregory            | D635,853     | S  | 4/2011  | Andre et al.             |
| D369,548              | S  | 5/1996  | Adams              | D637,076     | S  | 5/2011  | Akana et al.             |
| D373,724              | S  | 9/1996  | Adams              | D637,596     | S  | 5/2011  | Akana et al.             |
| D396,954              | S  | 8/1998  | Iversen et al.     | D649,450     | S  | 11/2011 | Andre et al.             |
| 5,887,749             | A  | 3/1999  | Schommer et al.    | D660,723     | S  | 5/2012  | Akana et al.             |
| 5,950,830             | A  | 9/1999  | Trigger            | D674,709     | S  | 1/2013  | Akana et al. .... D9/737 |
| 5,967,327             | A  | 10/1999 | Jones              | 2003/0102244 | A1 | 6/2003  | Sanders, Jr.             |
| D435,215              | S  | 12/2000 | Guzman             | 2004/0045867 | A1 | 3/2004  | Appelbaum                |
| 6,302,274             | B1 | 10/2001 | Ridgeway           | 2006/0266672 | A1 | 11/2006 | Young                    |
| 6,305,539             | B1 | 10/2001 | Sanders, Jr.       | 2009/0205988 | A1 | 8/2009  | Edwards et al.           |
| 6,367,624             | B1 | 4/2002  | Szczepanski et al. | 2010/0078343 | A1 | 4/2010  | Hoellwarth et al.        |

\* cited by examiner

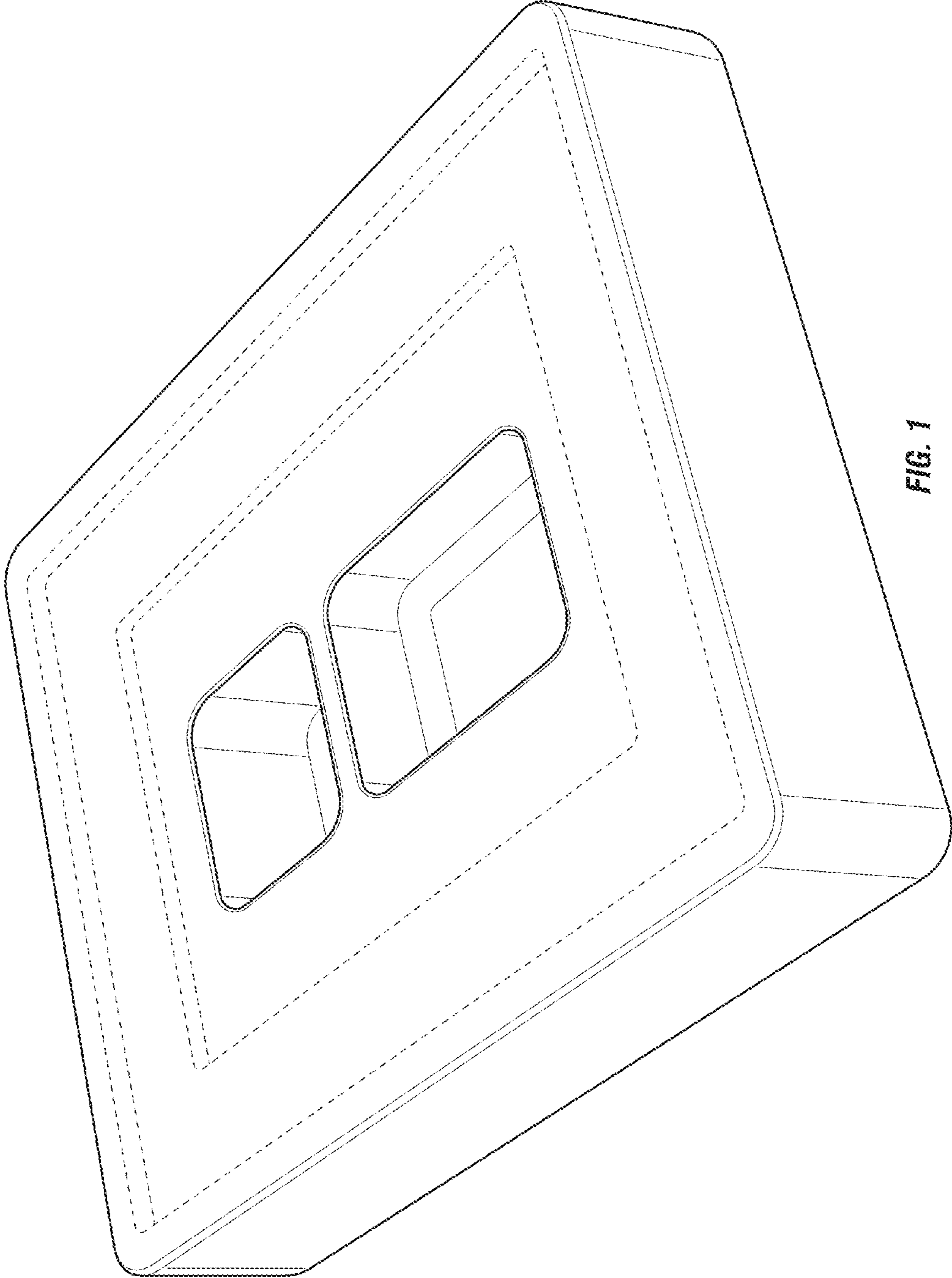


FIG. 1

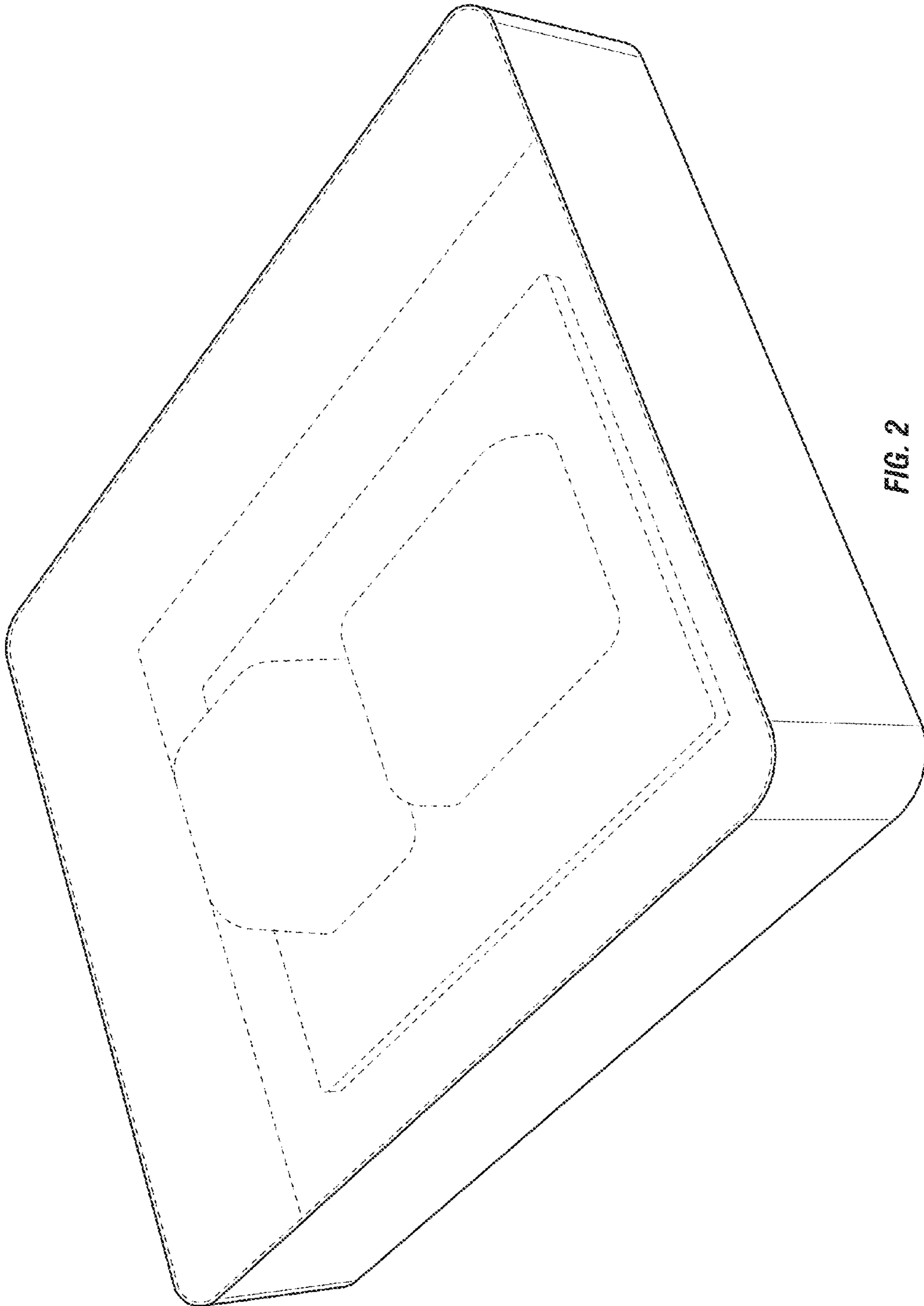
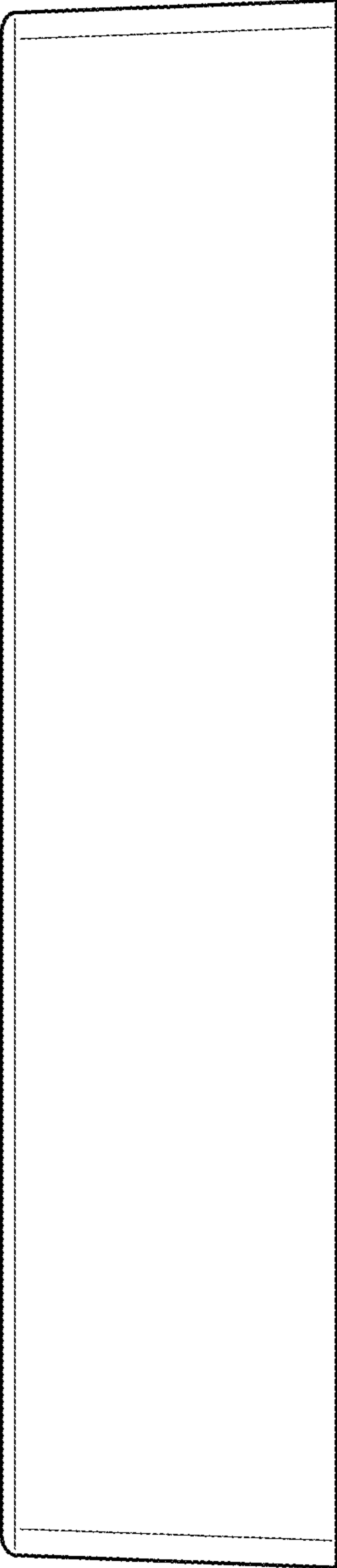
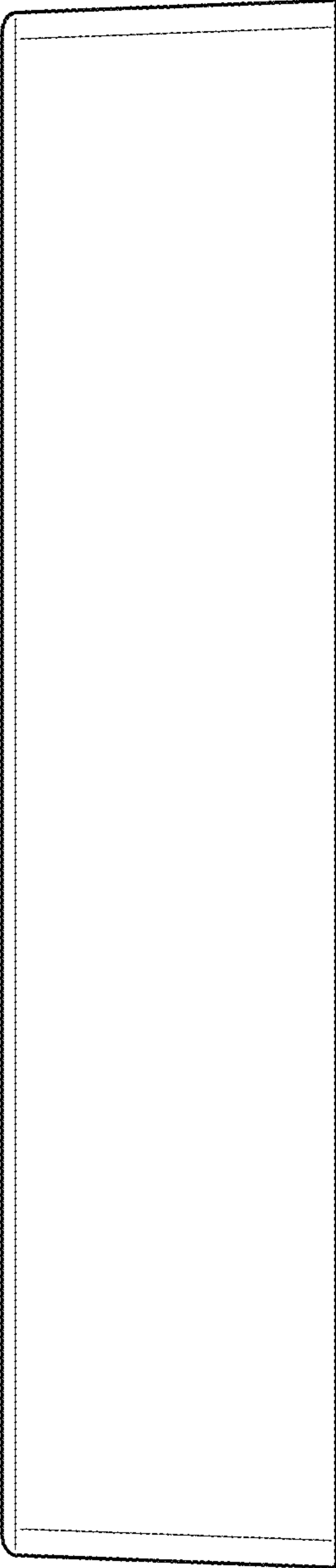


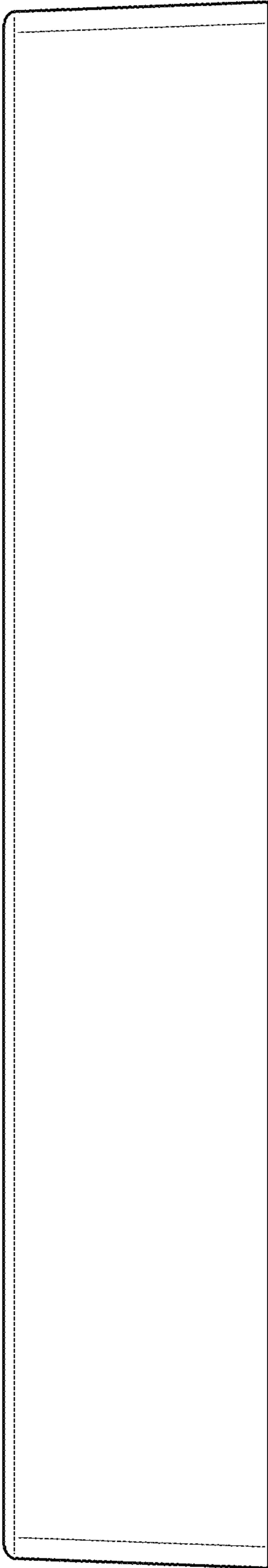
FIG. 2



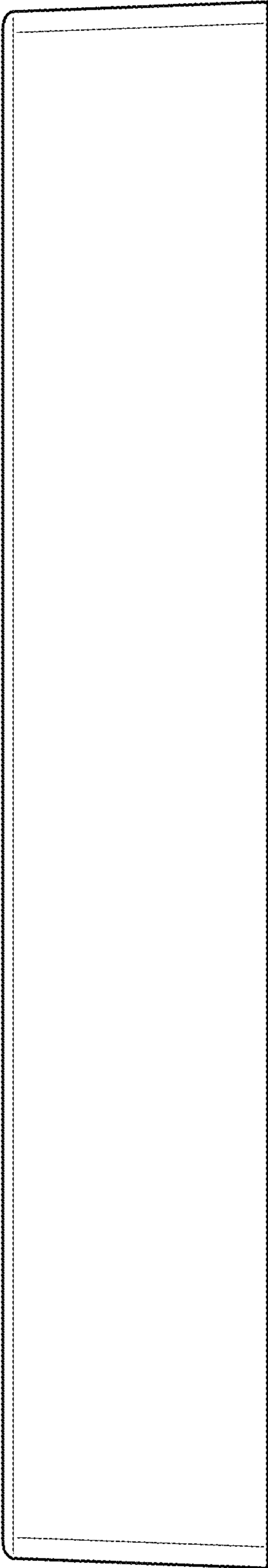
**FIG. 3**



**FIG. 4**



*FIG. 5*



*FIG. 6*

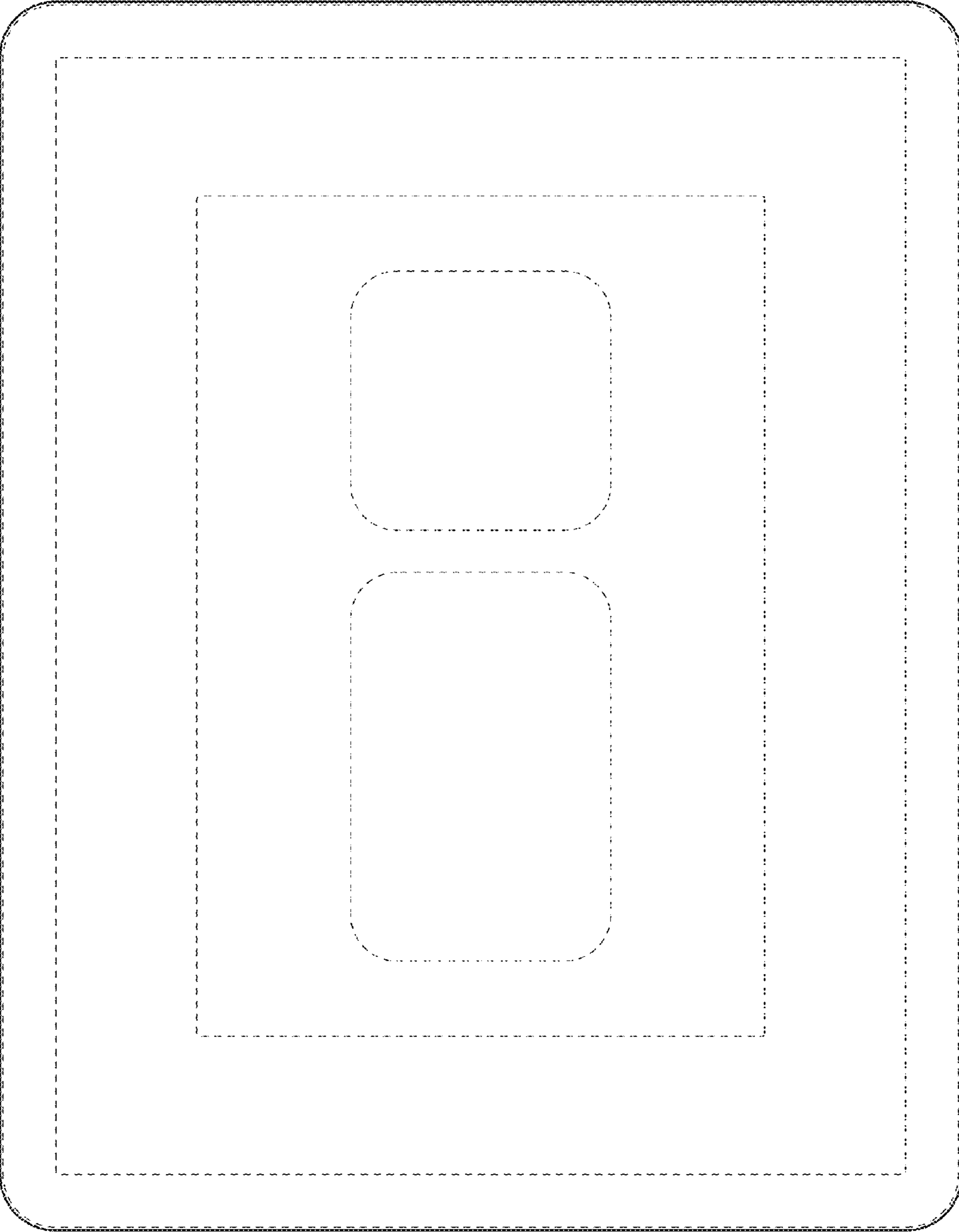


FIG. 7

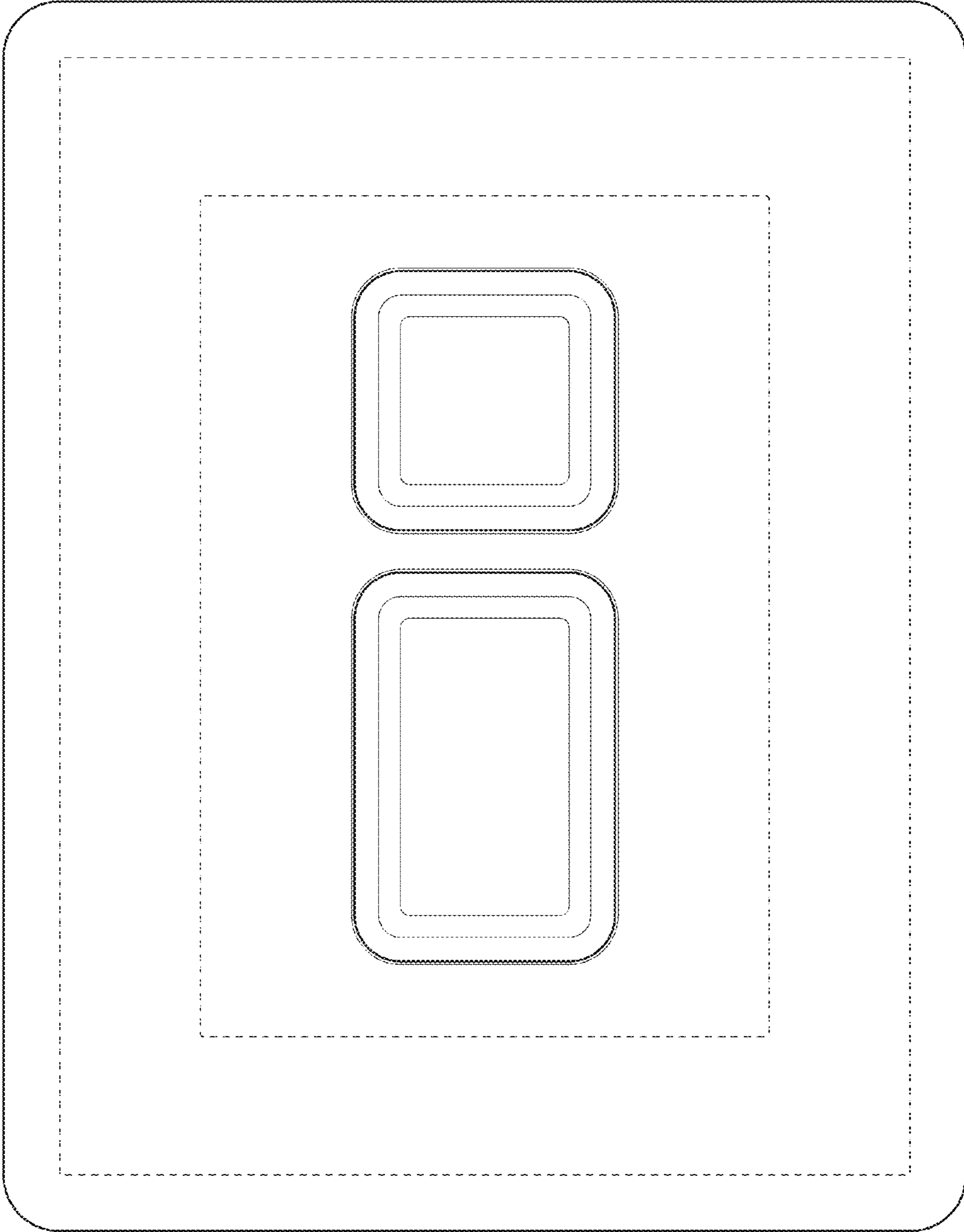


FIG. 8