



US00D685653S

(12) **United States Design Patent**
Mowers et al.

(10) **Patent No.:** **US D685,653 S**
(45) **Date of Patent:** **** Jul. 9, 2013**

(54) **ERGONOMIC CONTAINER**

(75) Inventors: **Stephen Mowers**, Cheshire, CT (US);
Jim Best, Hewitt, NJ (US); **Todd Brunner**, Brooklyn, NY (US); **Mark Prommel**, Brooklyn, NY (US)

(73) Assignee: **Playtex Products, LLC**, Shelton, CT (US)

(**) Term: **14 Years**

(21) Appl. No.: **29/389,715**

(22) Filed: **Apr. 15, 2011**

(51) **LOC (9) Cl.** **09-01**

(52) **U.S. Cl.**
USPC **D9/734**

(58) **Field of Classification Search**
USPC D9/500, 502, 503, 516, 517, 519,
D9/529, 549, 551, 556, 557, 558, 559, 562,
D9/569, 574, 716-729, 730, 734; 206/409,
206/812, 824; 221/26, 33, 45, 63; 215/381-384;
D6/515-523

See application file for complete search history.

(56) **References Cited**

U.S. PATENT DOCUMENTS

D405,372	S	*	2/1999	Yucknut	D9/504
D453,684	S	*	2/2002	Bezek et al.	D9/502
6,472,007	B2	*	10/2002	Bezek et al.	426/115
D470,752	S	*	2/2003	Kunesh et al.	D9/689
D480,633	S	*	10/2003	Miranda	D9/504
D501,794	S	*	2/2005	Kunesh et al.	D9/521
D504,822	S	*	5/2005	Wadalawala et al.	D9/503
D523,668	S	*	6/2006	Azrak	D6/518

D568,764	S	*	5/2008	Rankin	D9/734
D587,117	S	*	2/2009	Crawford	D9/504
D590,264	S	*	4/2009	Schwartz et al.	D9/529
D620,754	S	*	8/2010	Duke	D7/510

OTHER PUBLICATIONS

“Playtex Nurser”, <http://www.playtexbaby.com/Bottles/Dropins/Premium-Nurser>, Jan. 2, 2011 (Internet Archive Wayback Machine).
“Playtex Drop-Ins Bottle”, <http://www.youtube.com/watch?v=pwF7qLejd1A>, Jan. 28, 2011 (YouTube).

(Continued)

Primary Examiner — Derrick Holland

Assistant Examiner — Lauren Calve

(74) *Attorney, Agent, or Firm* — Ohlandt, Greeley, Ruggiero and Perle, L.L.P.

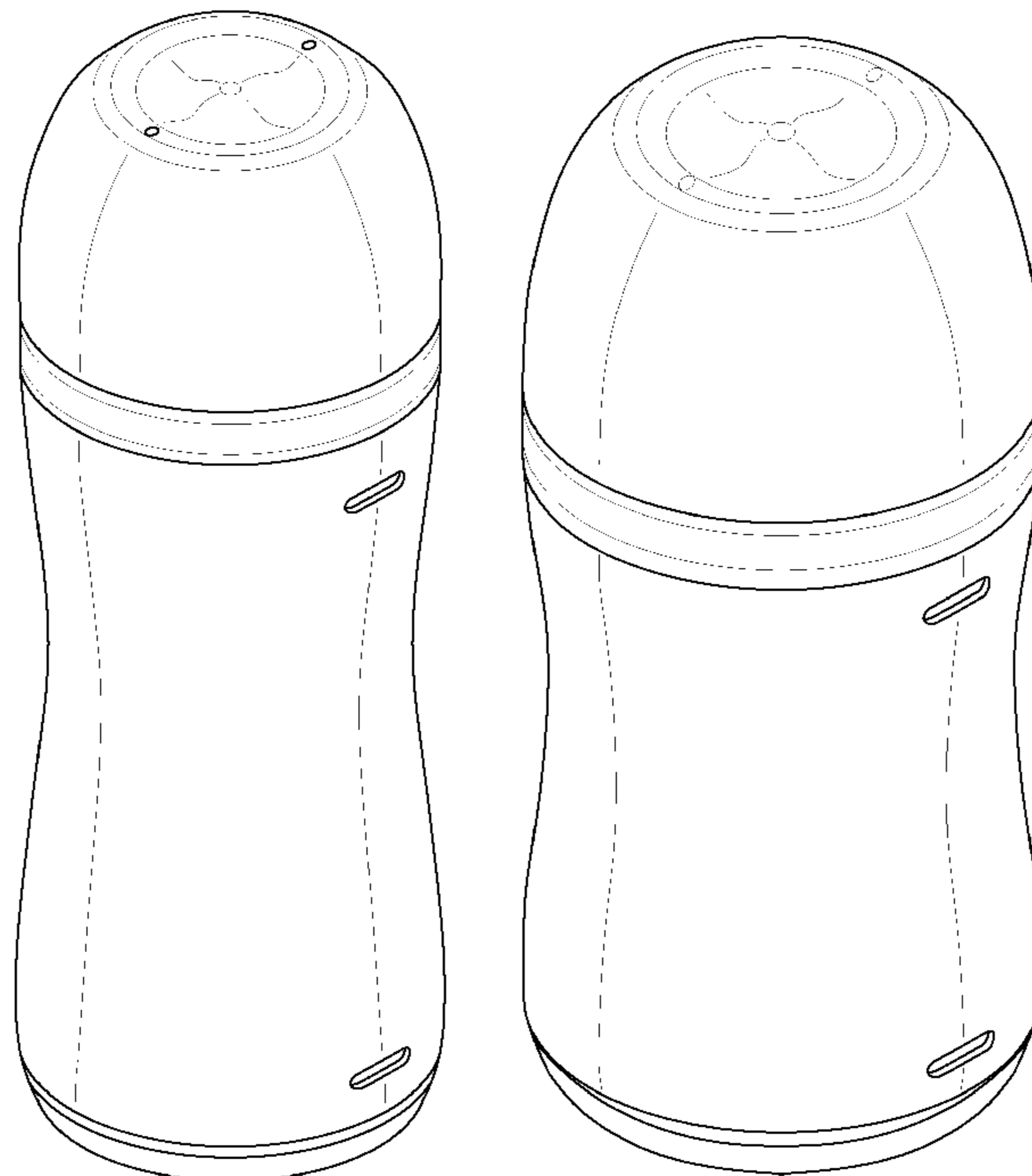
(57) **CLAIM**

The ornamental design for the ergonomic container, as shown and described in the accompanying figures.

DESCRIPTION

FIG. 1 is a top perspective view of a first embodiment of the ergonomic container of the present disclosure;
FIG. 2 is a first side view of the container of FIG. 1;
FIG. 3 is a second side view of the container of FIG. 1;
FIG. 4 is a top view of the container of FIG. 1;
FIG. 5 is a bottom view of the container of FIG. 1;
FIG. 6 is a top perspective view of a second embodiment of the ergonomic container of the present disclosure;
FIG. 7 is a first side view of the container of FIG. 6;
FIG. 8 is a second view of the container of FIG. 6;
FIG. 9 is a top view of the container of FIG. 6; and,
FIG. 10 is a bottom view of the container of FIG. 6.

1 Claim, 10 Drawing Sheets



OTHER PUBLICATIONS

“Dropins”, <http://www.lilkidthings.com/playtex-drop-ins-give-away/dropins/>, Jul. 16, 2011.

Examination Report dated Feb. 12, 2013 from corresponding Australian Application No. 339261.

* cited by examiner

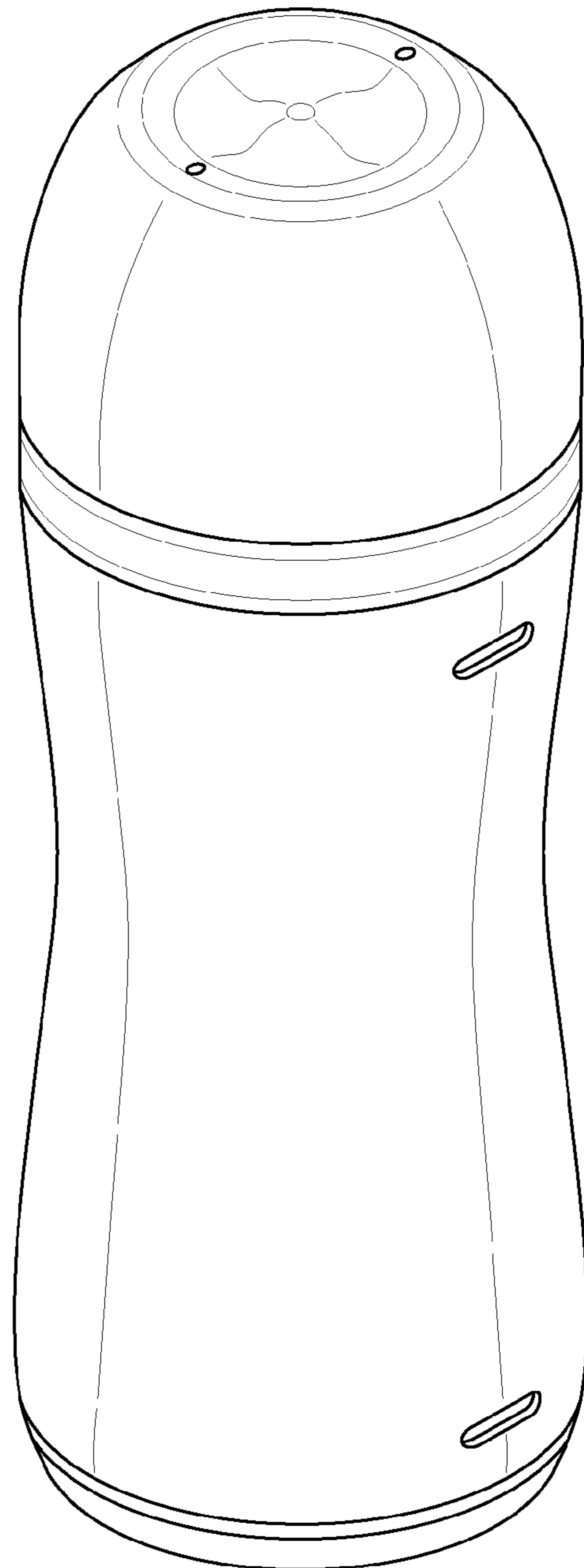


FIG. 1

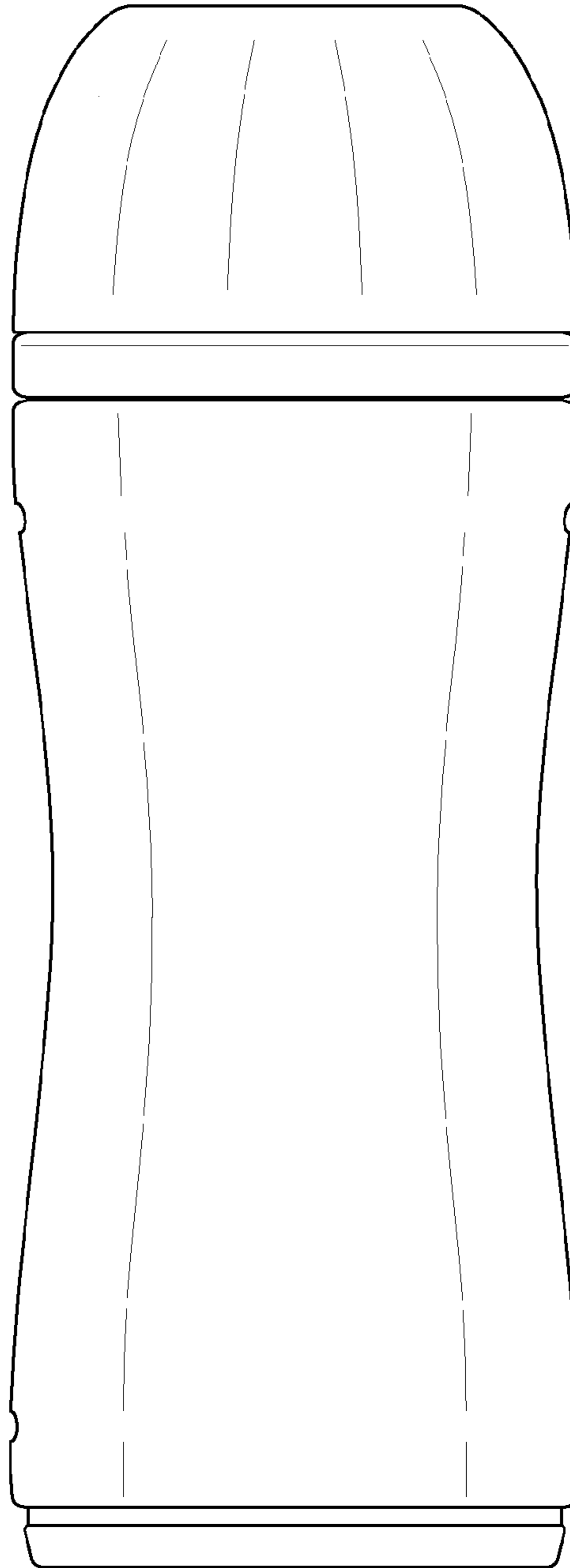


FIG. 2

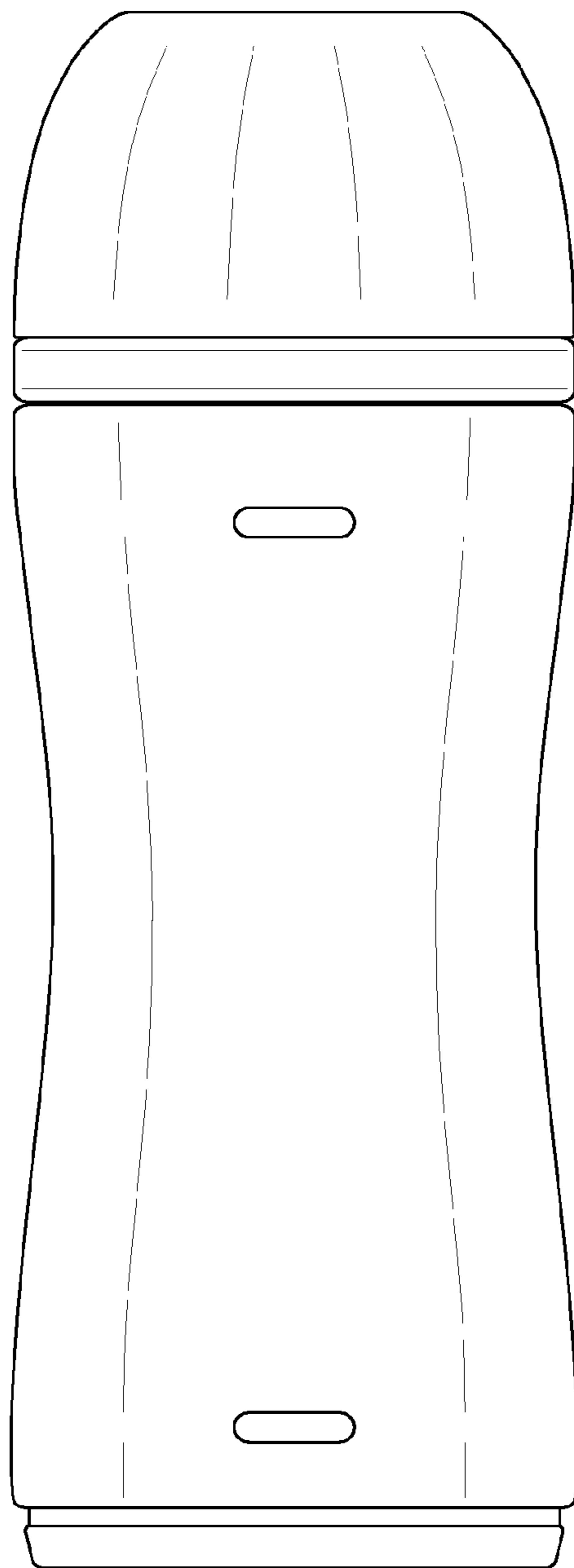


FIG. 3

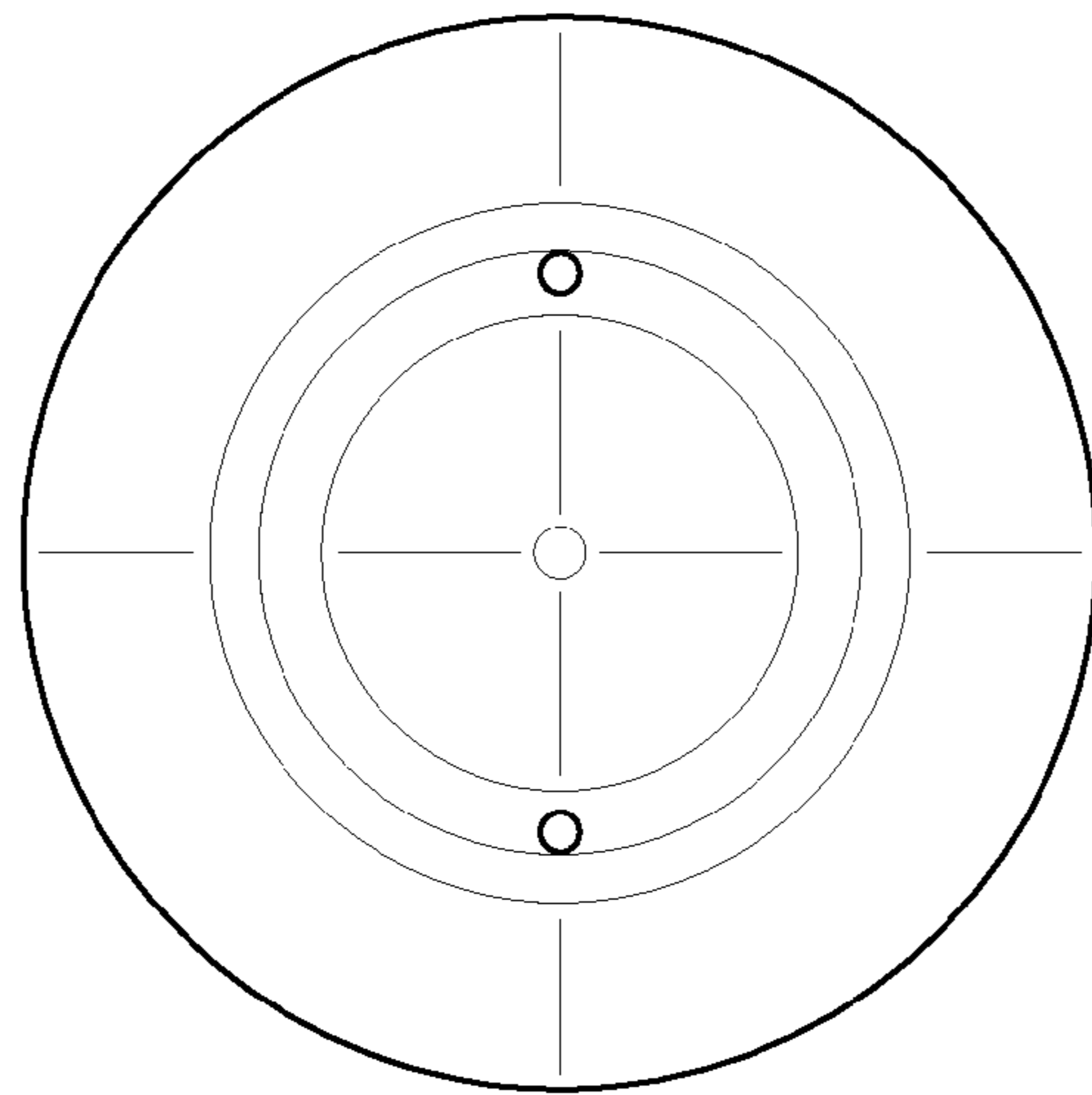


FIG. 4

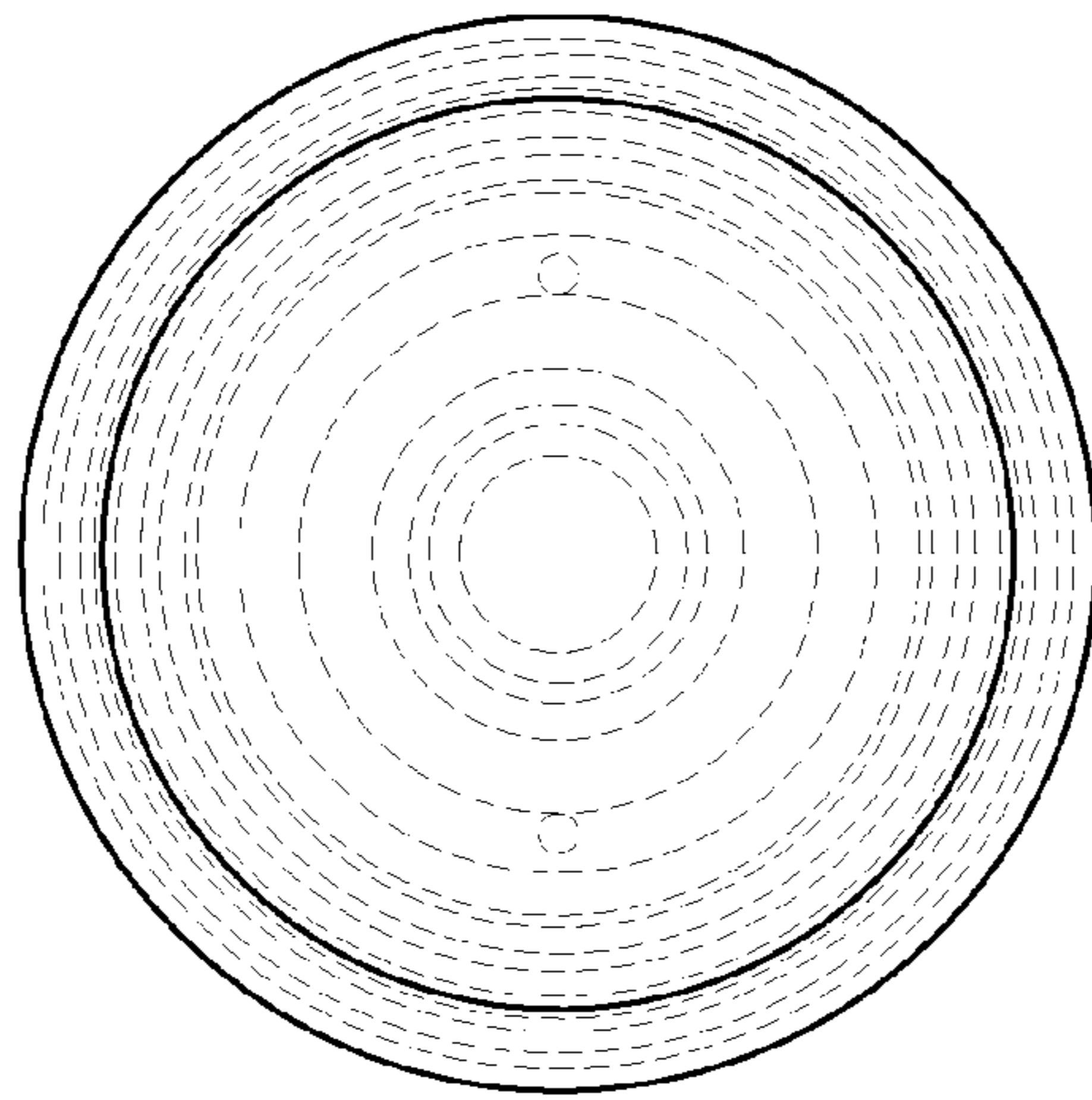


FIG. 5
AMENDED

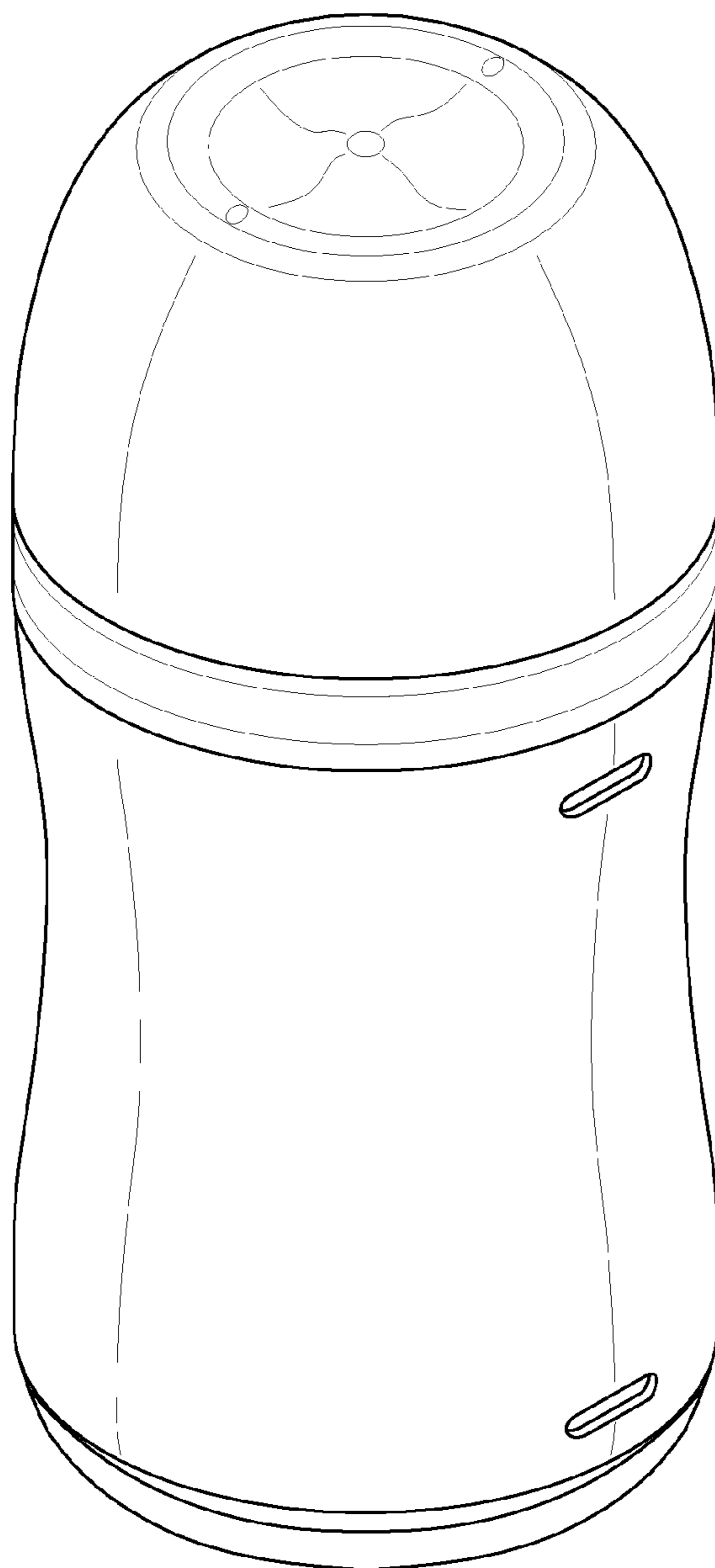


FIG. 6

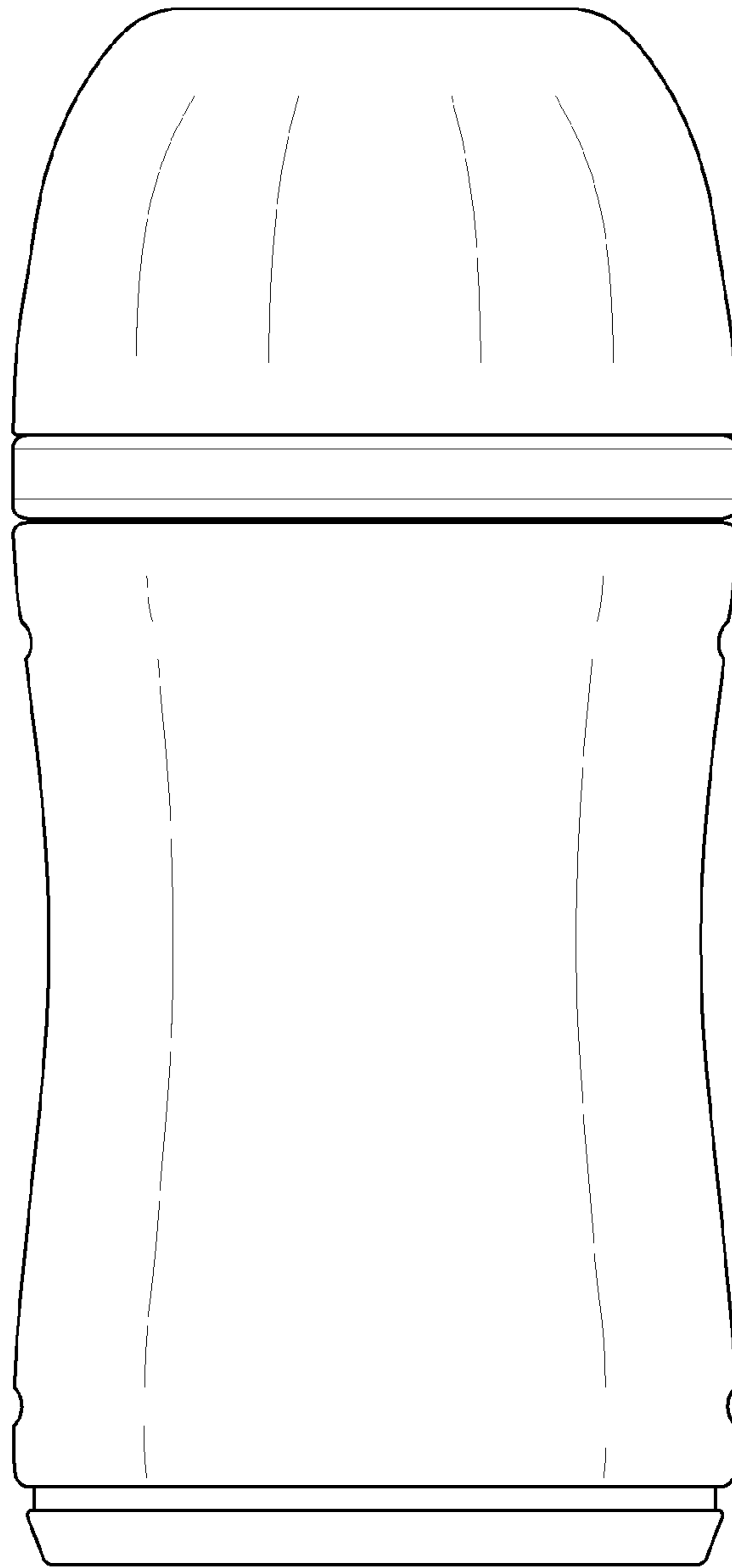


FIG. 7

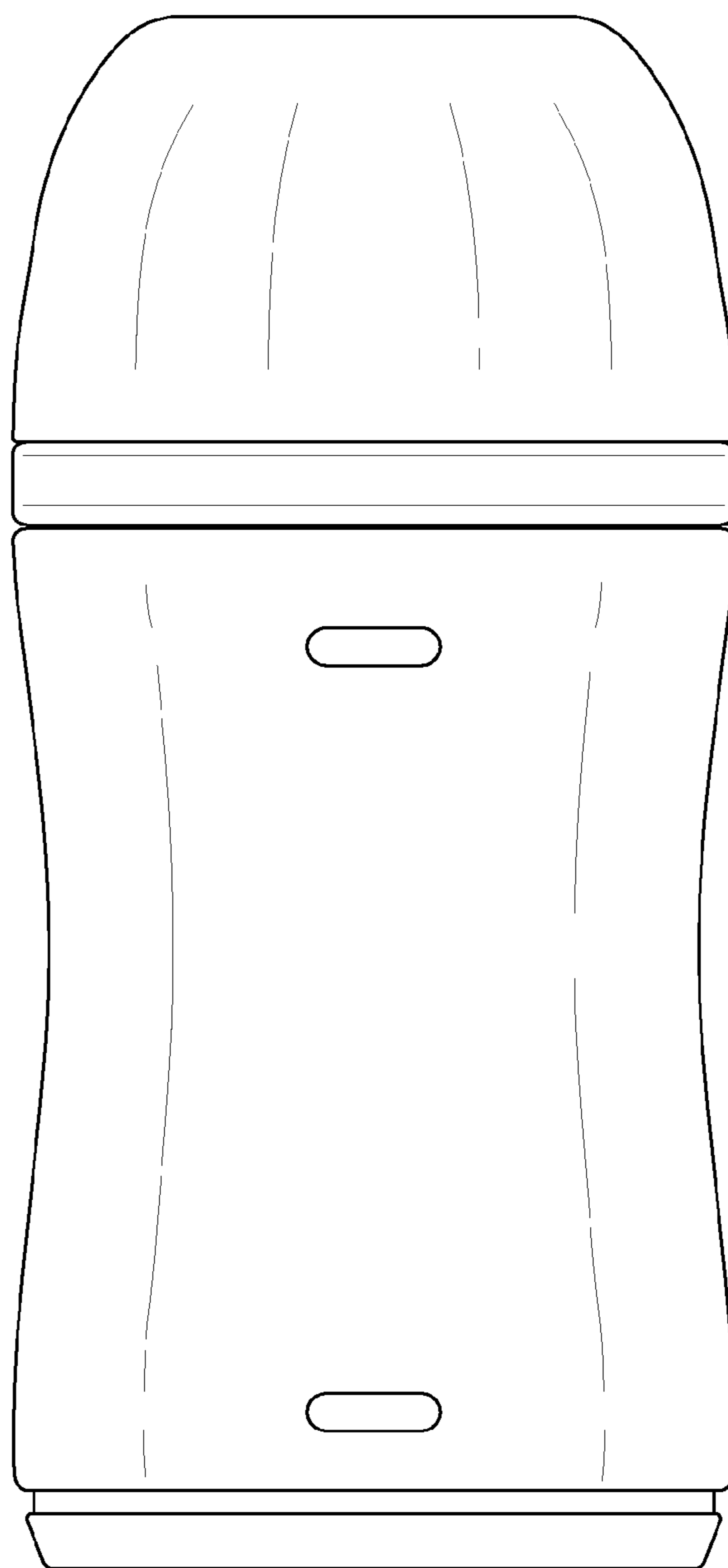


FIG. 8

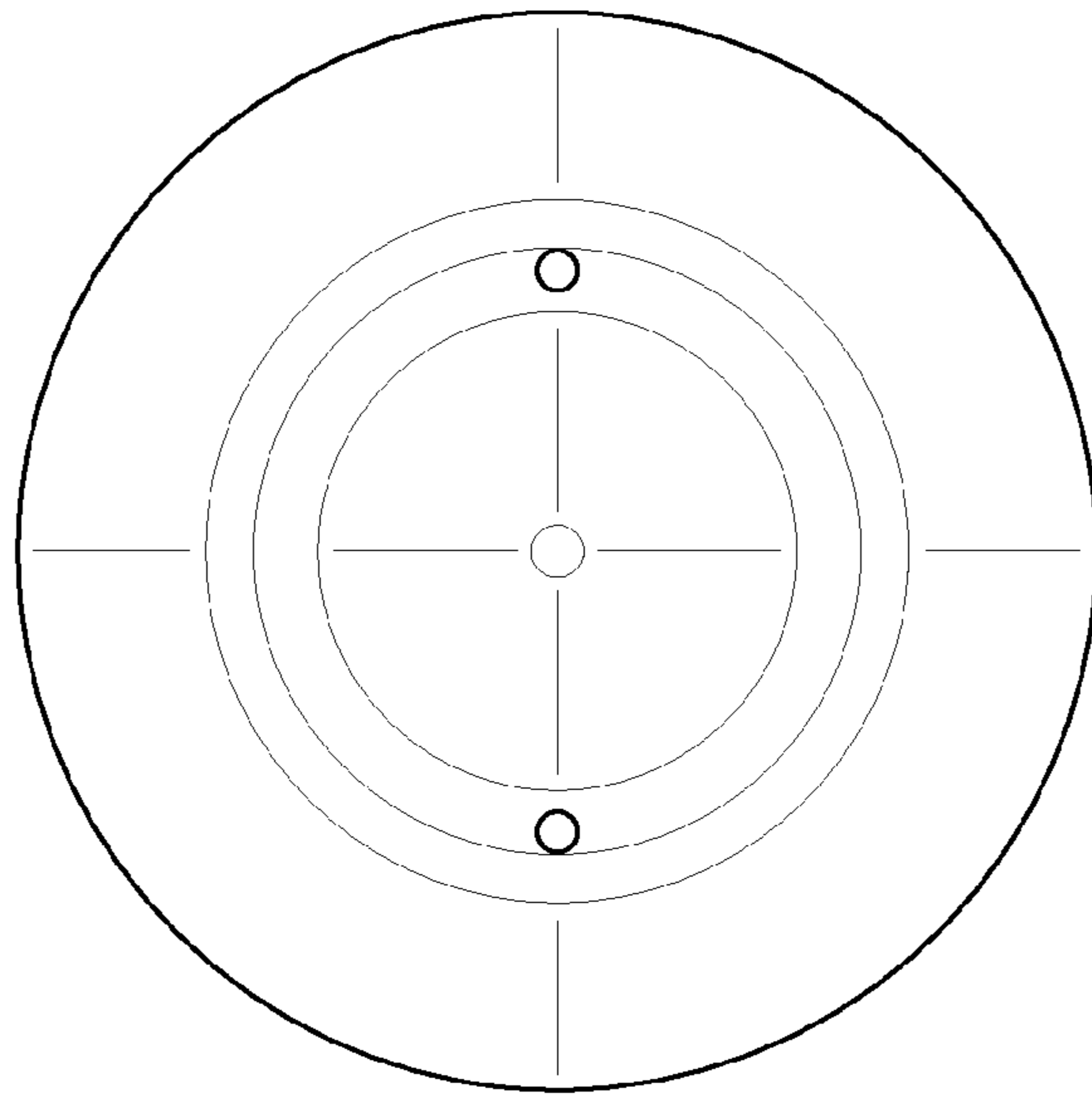


FIG. 9

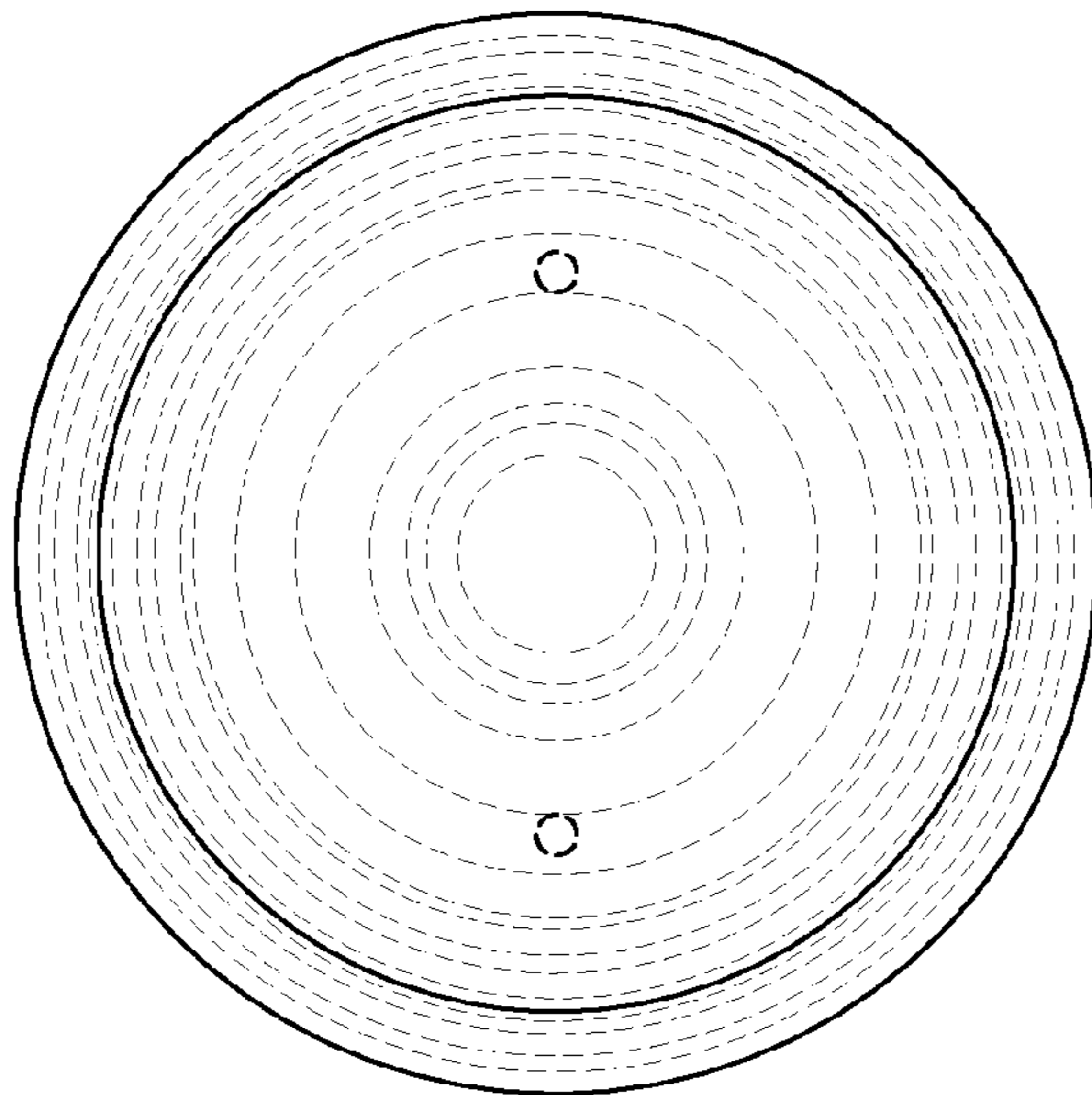


FIG. 10
AMENDED