



US00D685646S

(12) **United States Design Patent**
DeMarco

(10) **Patent No.:** **US D685,646 S**

(45) **Date of Patent:** **** Jul. 9, 2013**

(54) **COSMETIC CONTAINER**

(75) Inventor: **Jenny DeMarco**, Frisco, TX (US)

(73) Assignee: **Mary Kay Inc.**, Dallas, TX (US)

(**) Term: **14 Years**

(21) Appl. No.: **29/415,101**

(22) Filed: **Mar. 7, 2012**

(51) **LOC (9) Cl.** **09-01**

(52) **U.S. Cl.**

USPC **D9/558**; D9/454; D9/529; D9/539;
D9/688; D9/689

(58) **Field of Classification Search**

USPC D9/516, 530, 549, 558, 571-575,
D9/682, 686-692, 694, 500, 502-505, 529,
D9/837, 539-546, 552; D7/300, 598; 215/379,
215/381-382, 384; 220/660, 662, 669, 675
See application file for complete search history.

(56) **References Cited**

U.S. PATENT DOCUMENTS

D155,043 S *	8/1949	Serra	D9/504
D206,292 S *	11/1966	Koenigsberg	D9/548
D207,189 S *	3/1967	Thomson	D9/558
D209,244 S *	11/1967	Koenigsberg	D9/548
D225,730 S *	1/1973	Peterson	D9/529
D248,449 S *	7/1978	Douglas	D9/502
D263,115 S *	2/1982	Ohmori	D9/632
D263,807 S *	4/1982	Kingsford	D9/504
D387,994 S	12/1997	Heinz	D9/545
D390,117 S	2/1998	Kan et al.	D9/529
D438,785 S	3/2001	Baron	D9/689
D448,306 S	9/2001	De Biovella	D9/560
D448,678 S	10/2001	Bakic	D9/574
D449,537 S	10/2001	Feigenbaum	D9/529
D460,697 S	7/2002	Del Bon	D9/565
D472,147 S	3/2003	Hermann	D9/504
D476,237 S	6/2003	Canepa	D9/545

D481,947 S *	11/2003	Levesque	D9/444
D491,691 S *	6/2004	Braaten et al.	D28/76
D511,102 S	11/2005	Trudeau	D9/544
D517,424 S	3/2006	Martos Sanchez	D9/682
D521,386 S	5/2006	Priestman	D9/529
D524,161 S *	7/2006	Sauer et al.	D9/529
D531,041 S *	10/2006	Sauer et al.	D9/529
D535,891 S	1/2007	Varlet	D9/573
D538,673 S	3/2007	Sterling et al.	D9/552
D541,167 S	4/2007	Matsumura et al.	D9/558
D542,135 S *	5/2007	Machmadow	D9/503
D546,697 S	7/2007	Schnipper et al.	D9/529
D558,052 S	12/2007	Harper et al.	D9/530
D564,893 S	3/2008	Adamson et al.	D9/556
D565,420 S	4/2008	Adamson et al.	D9/556
D565,954 S	4/2008	Adamson et al.	D9/516
D570,690 S	6/2008	McGuinness	D9/504
D576,044 S	9/2008	Lamb et al.	D9/504
D582,278 S	12/2008	Bourne	D9/504
D582,283 S *	12/2008	O'Donahue	D9/529

(Continued)

Primary Examiner — Ian Simmons

Assistant Examiner — Dana L Meyrow

(74) *Attorney, Agent, or Firm* — Fulbright & Jaworski,
L.L.P.

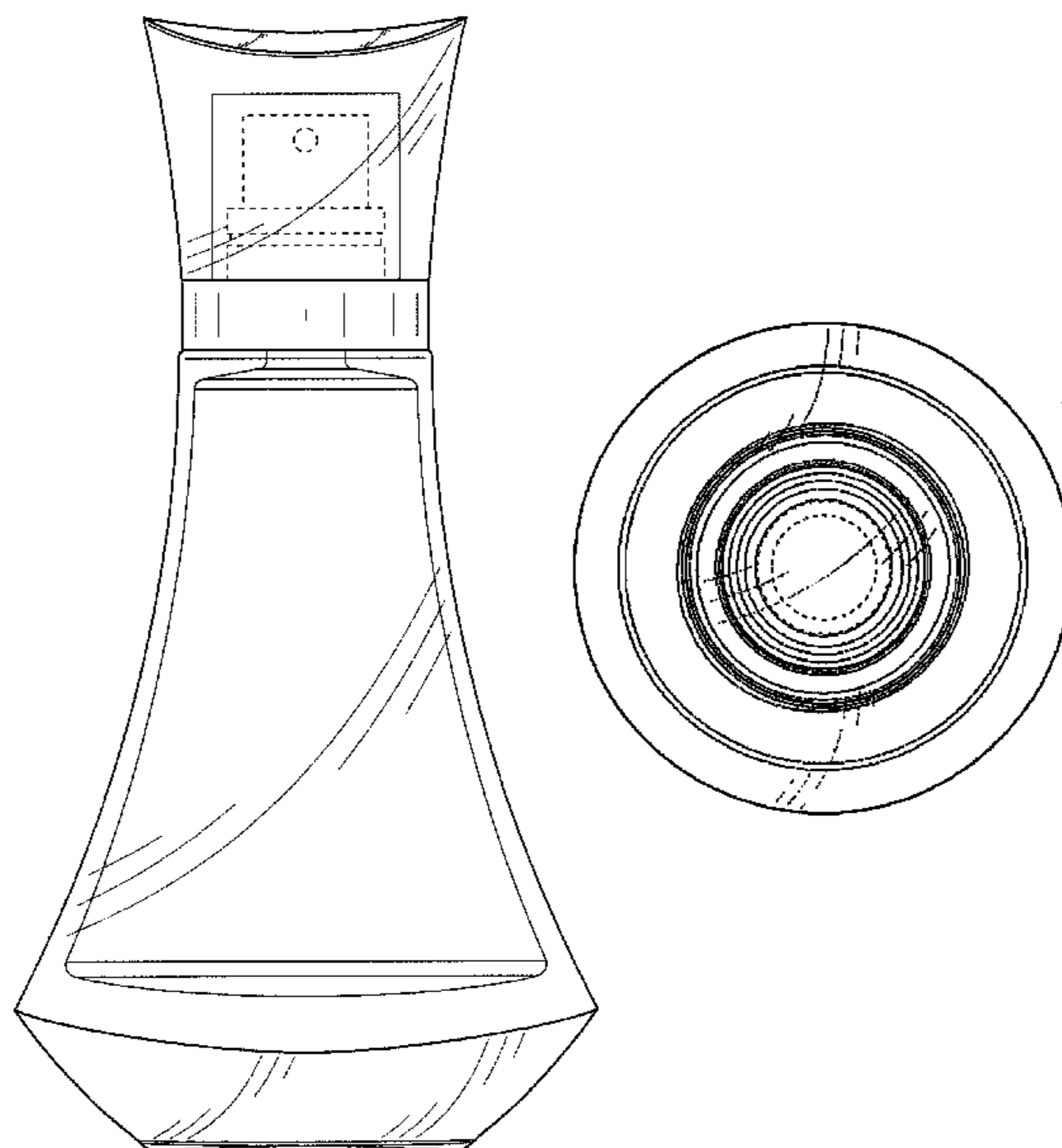
(57) **CLAIM**

The ornamental design for a cosmetic container, as shown and described.

DESCRIPTION

FIG. 1 is a top perspective view of my design;
FIG. 2 is a front view of my design;
FIG. 3 is a back view of my design;
FIG. 4 is a right side view of my design;
FIG. 5 is a left side view of my design; and,
FIG. 6 is a top view of my design.
The dashed lines in FIGS. 1-6 represent environmental structure and form no part of the claimed design.

1 Claim, 6 Drawing Sheets



US D685,646 S

Page 2

U.S. PATENT DOCUMENTS

D584,953 S	1/2009	Rica	D9/544	D621,268 S	8/2010	Morabito	D9/529
D591,607 S	5/2009	Marotti et al.	D9/571	D621,717 S	8/2010	Rica	D9/574
D592,516 S	5/2009	Cummings et al.	D9/530	D623,066 S	9/2010	Mongeon et al.	D9/529
D604,180 S	11/2009	Nevins et al.	D9/691	D623,521 S	9/2010	Marotti et al.	D9/516
D608,213 S	1/2010	Kuzma	D9/573	D627,651 S	11/2010	Marotti et al.	D9/516
D609,571 S	2/2010	Butler et al.	D9/504	D627,658 S	11/2010	Hale et al.	D9/552
D611,825 S	3/2010	Usui et al.	D9/529	D642,475 S *	8/2011	Crutchley et al.	D9/542
D619,900 S	7/2010	Rica	D9/574				

* cited by examiner

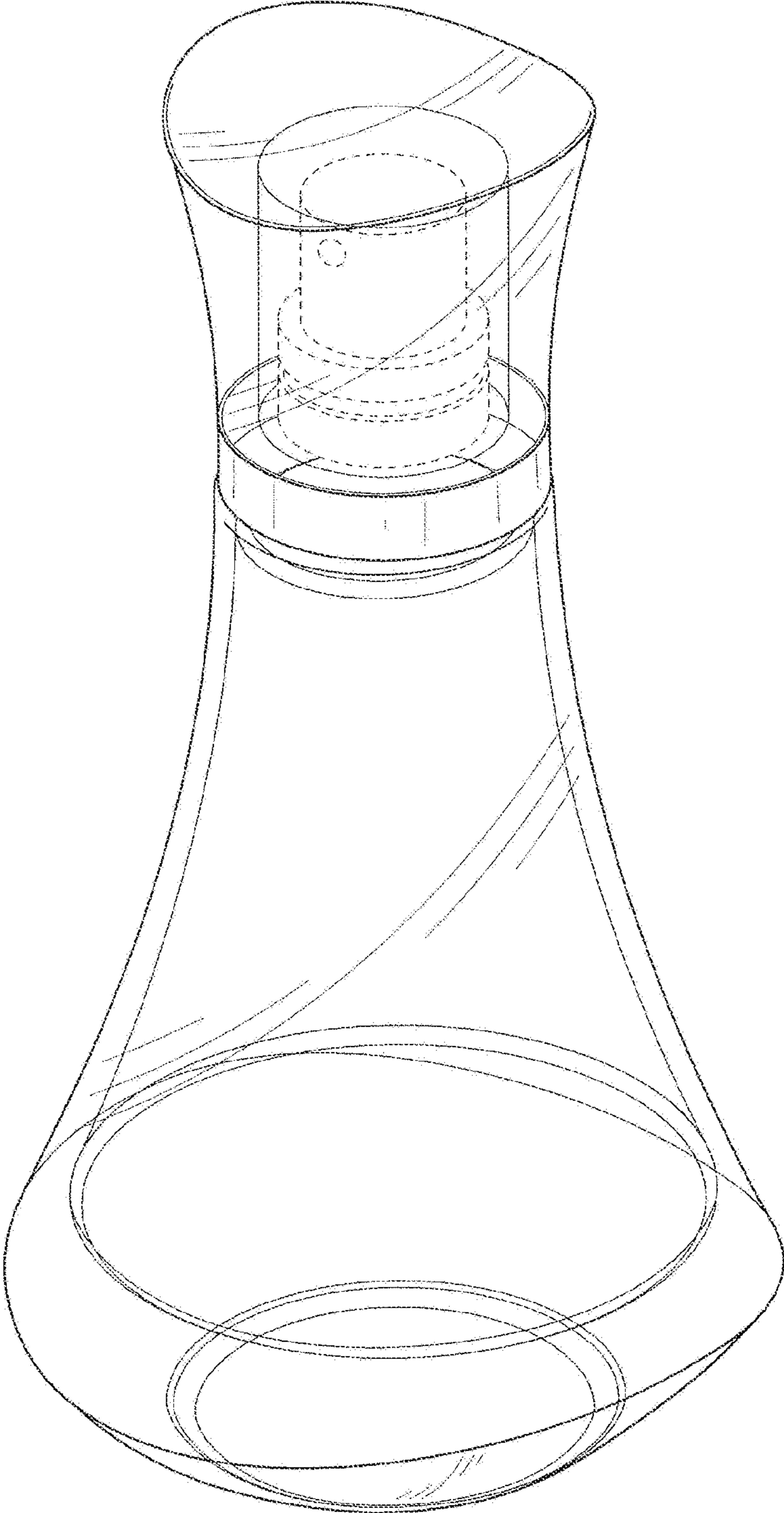


FIG. 1

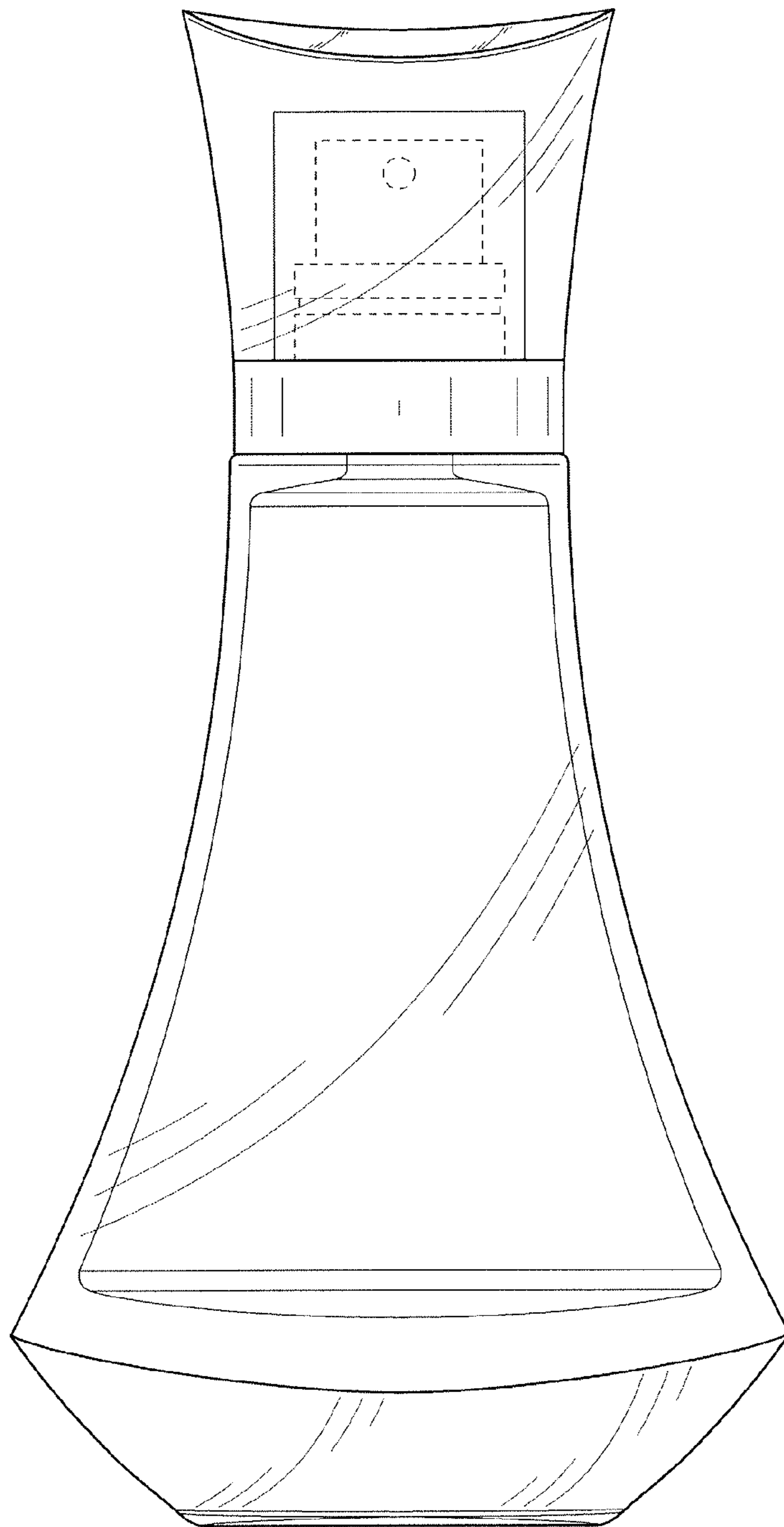


FIG. 2

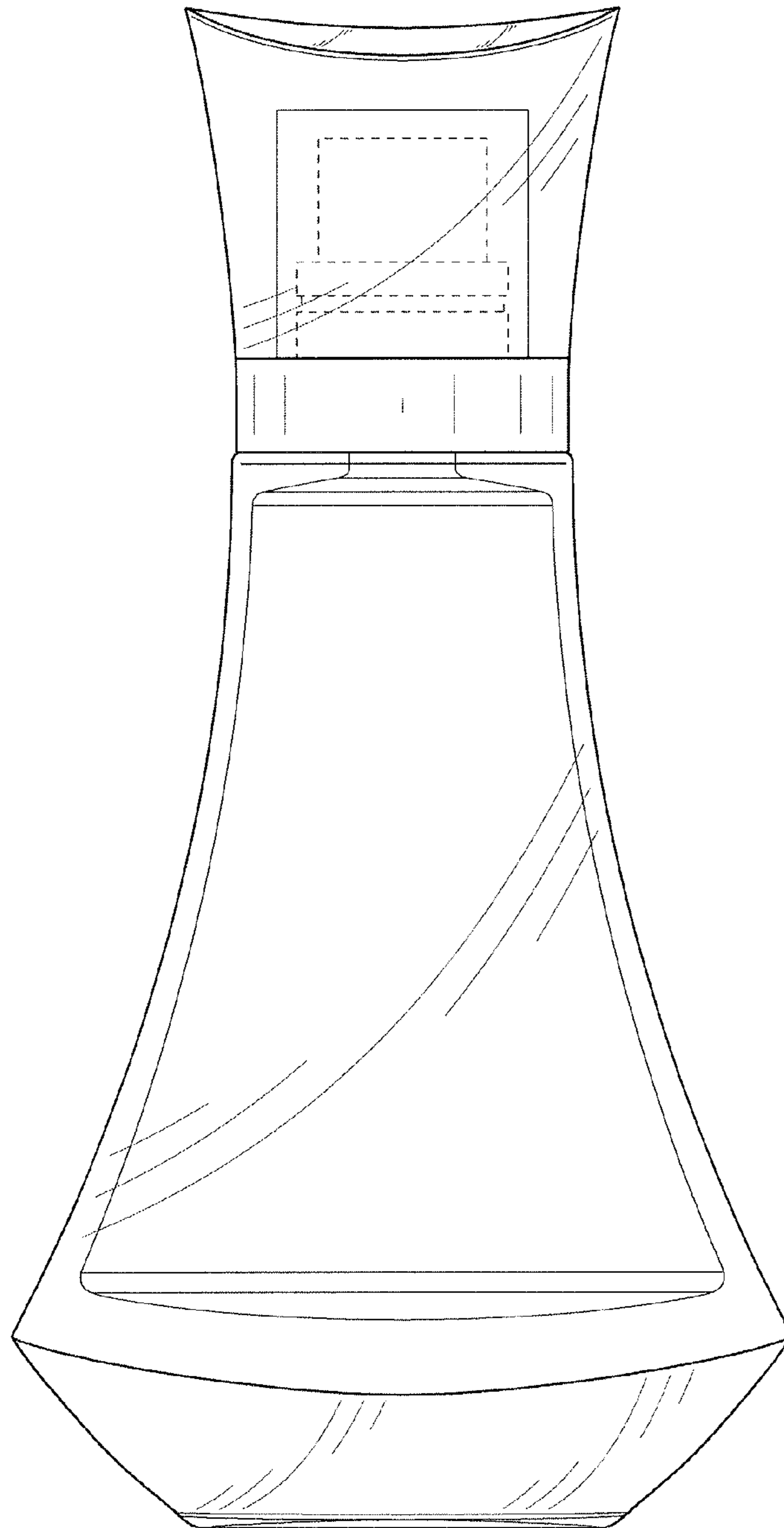


FIG. 3

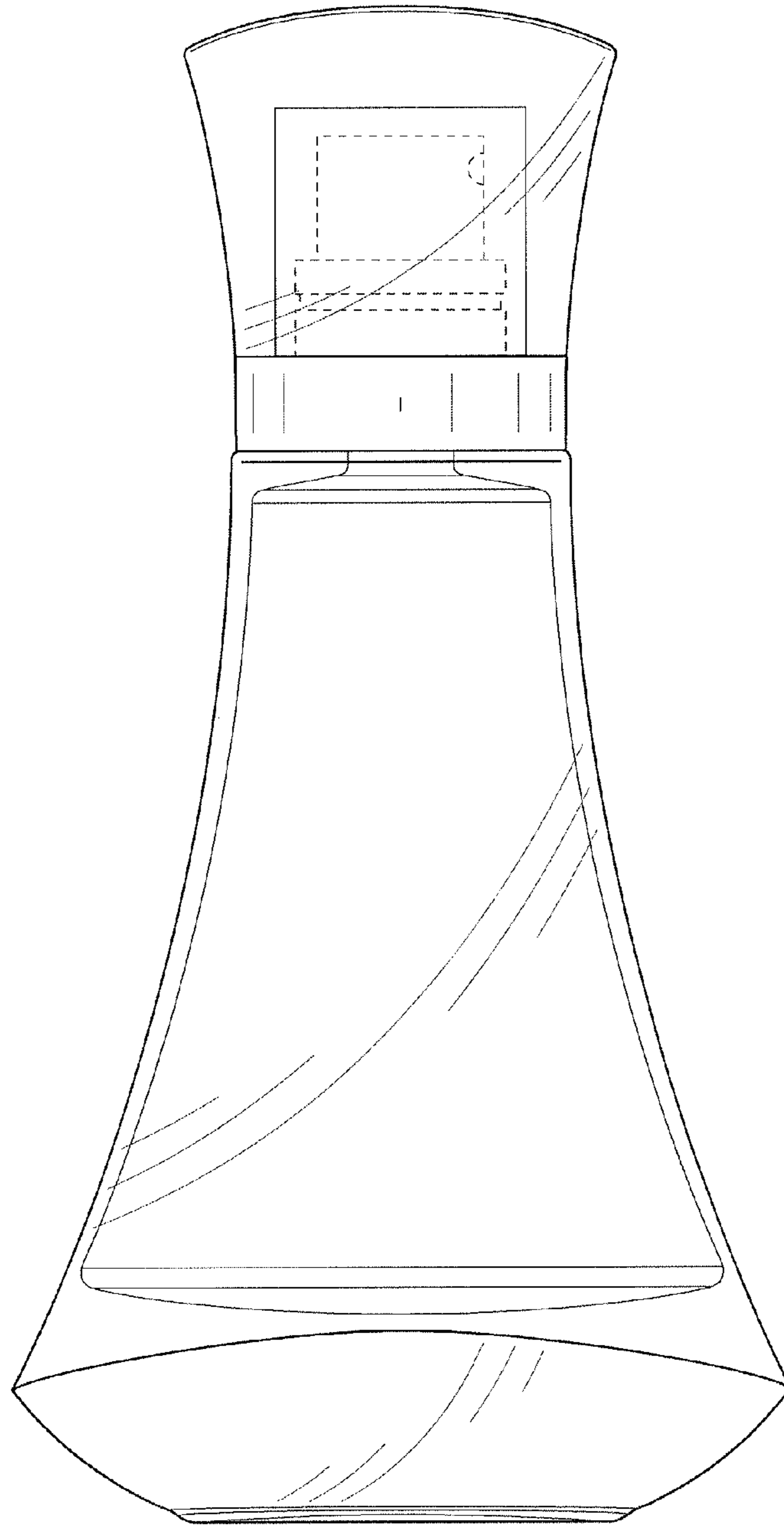


FIG. 4

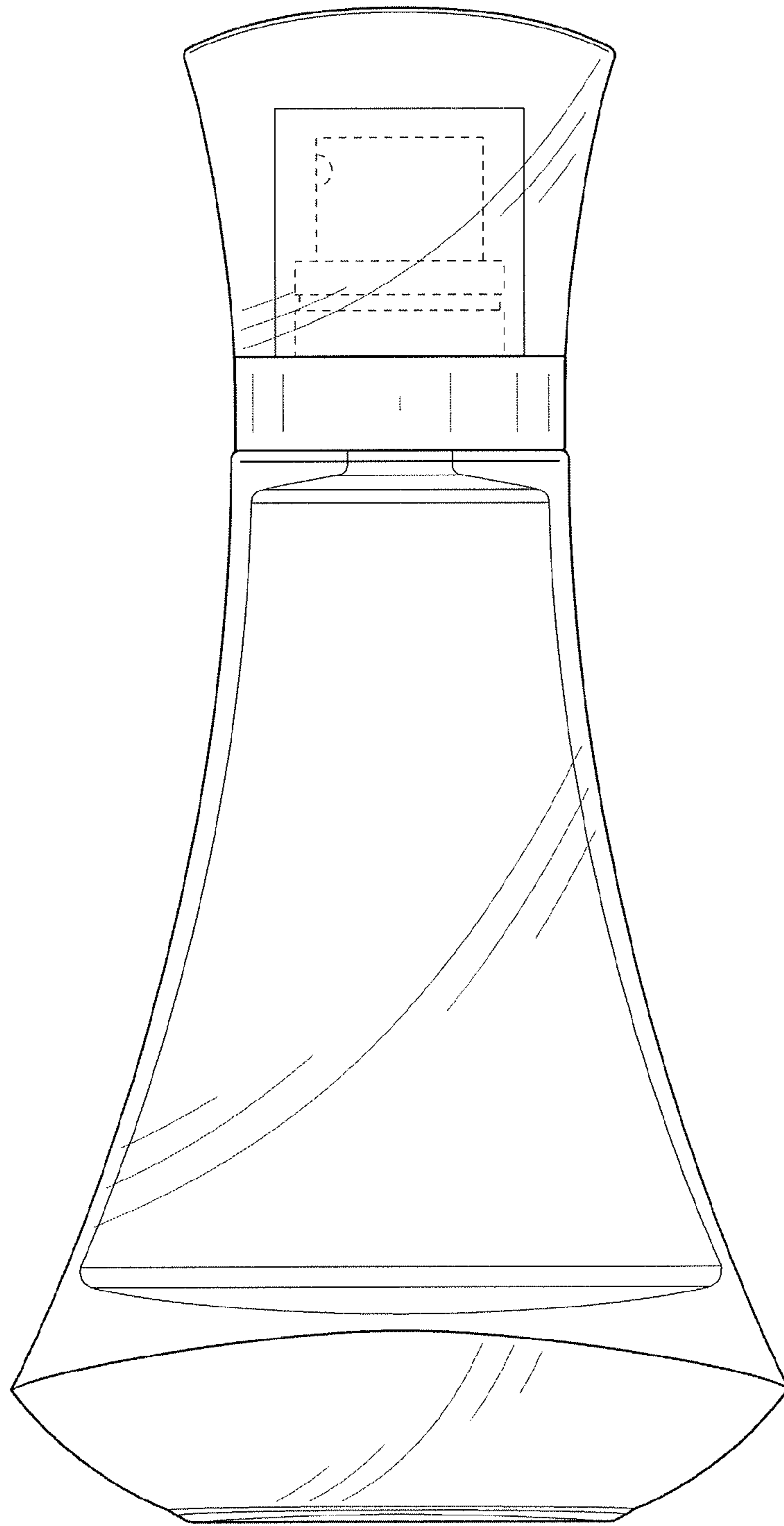


FIG. 5

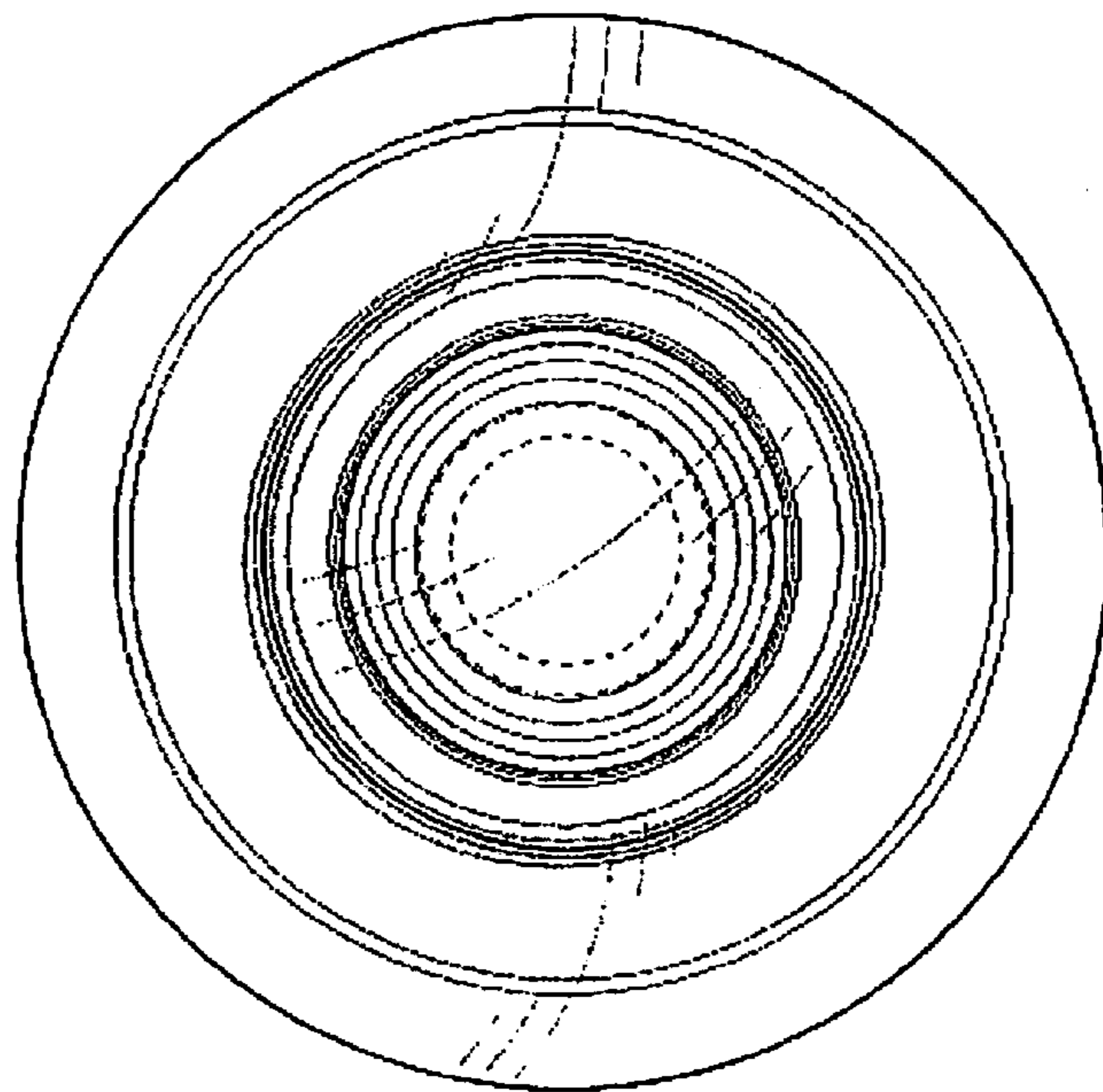


FIG. 6