



US00D685645S

(12) **United States Design Patent**  
**DeMarco**

(10) **Patent No.:** **US D685,645 S**  
(45) **Date of Patent:** **\*\* Jul. 9, 2013**

(54) **COSMETIC CONTAINER**  
(75) Inventor: **Jenny DeMarco**, Frisco, TX (US)  
(73) Assignee: **Mark Kay Inc.**, Dallas, TX (US)  
(\*\*) Term: **14 Years**

(21) Appl. No.: **29/404,988**  
(22) Filed: **Oct. 27, 2011**  
(51) **LOC (9) Cl.** ..... **09-01**  
(52) **U.S. Cl.**  
USPC ..... **D9/558**; D9/529; D9/539  
(58) **Field of Classification Search**  
USPC ..... D9/516, 530, 541-546, 549, 558,  
D9/571-575, 682, 686-692, 694, 500, 502-505,  
D9/529, 837, 539-540, 552; D7/300, 598;  
215/379, 381-382, 384; 220/660, 662, 669,  
220/675  
See application file for complete search history.

(56) **References Cited**

**U.S. PATENT DOCUMENTS**

D155,043 S *	8/1949	Serra	.....	D9/504
D206,292 S *	11/1966	Koenigsberg	.....	D9/548
D207,189 S *	3/1967	Thomson	.....	D9/558
D209,244 S *	11/1967	Koenigsberg	.....	D9/548
D225,730 S *	1/1973	Peterson	.....	D9/529
D248,449 S *	7/1978	Douglas	.....	D9/502
D263,115 S *	2/1982	Ohmori	.....	D9/632
D263,807 S *	4/1982	Kingsford	.....	D9/504
4,919,981 A *	4/1990	Levey et al.	.....	428/26
D350,899 S *	9/1994	Vasas	.....	D9/503
D387,994 S	12/1997	Heinz	.....	D9/545
D390,117 S	2/1998	Kan et al.	.....	D9/529
D438,785 S	3/2001	Baron	.....	D9/689
D448,306 S	9/2001	De Giovellina	.....	D9/560
D448,678 S	10/2001	Bakic	.....	D9/574
D449,537 S	10/2001	Feigenbaum	.....	D9/529
D460,697 S	7/2002	Del Bon	.....	D9/565
D472,147 S	3/2003	Hermann	.....	D9/504

D476,237 S	6/2003	Canepa	.....	D9/545
D481,947 S *	11/2003	Levesque	.....	D9/444
D491,691 S *	6/2004	Braaten et al.	.....	D28/76
D511,102 S	11/2005	Trudeau	.....	D9/544

(Continued)

**FOREIGN PATENT DOCUMENTS**

JP	D1284268	9/2006
RU	257155	11/2003
TW	D122554	12/2006
TW	D122669	12/2006

**OTHER PUBLICATIONS**

Office Action issued in Russian Design Application No. 2011503588, dated Sep. 4, 2012.

(Continued)

*Primary Examiner* — Ian Simmons  
*Assistant Examiner* — Dana L Meyrow  
(74) *Attorney, Agent, or Firm* — Fulbright & Jaworski LLP

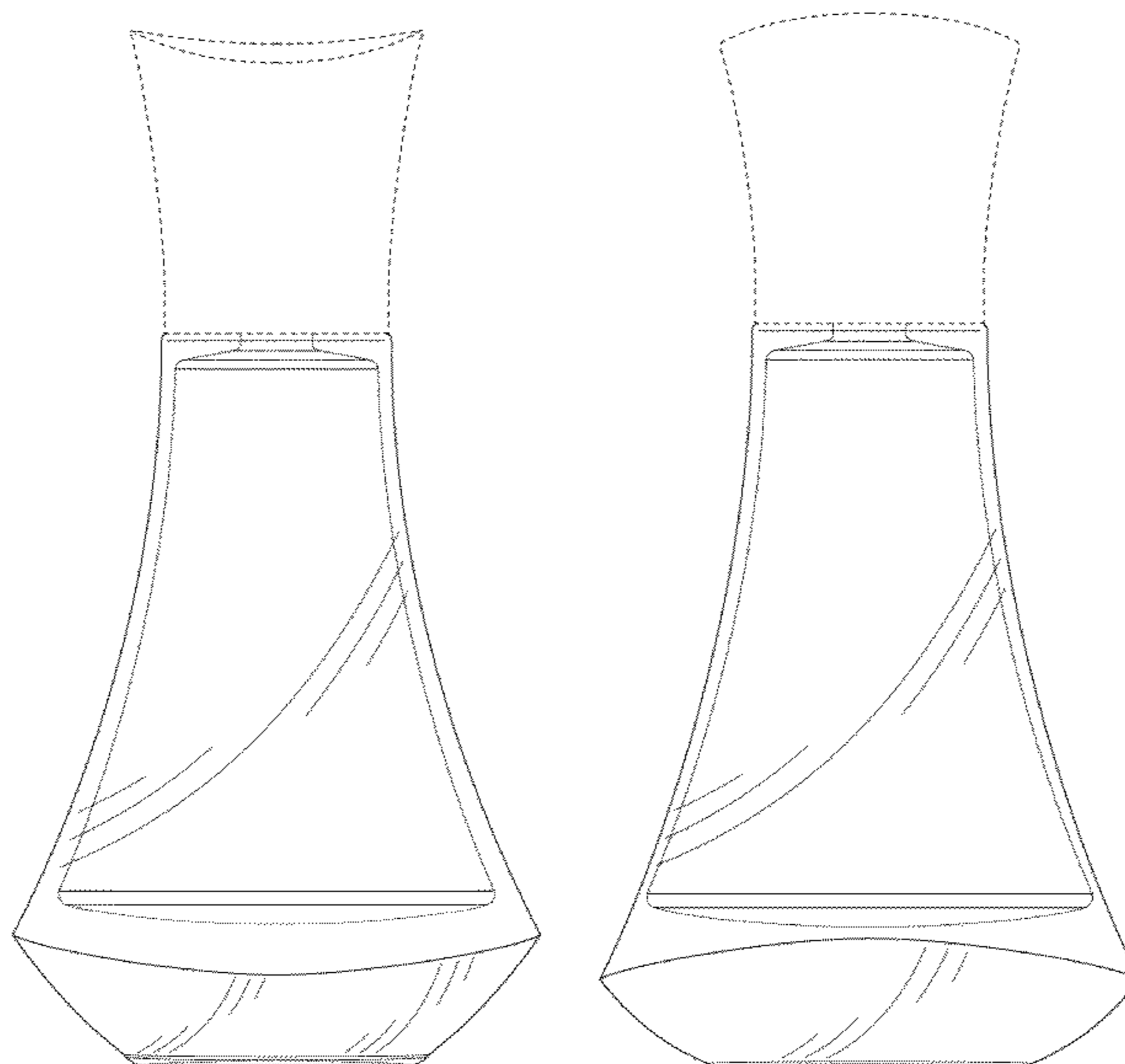
(57) **CLAIM**

The ornamental design for a cosmetic container, as shown and described.

**DESCRIPTION**

FIG. 1 is a top perspective view of a cosmetic container showing my new design;  
FIG. 2 is a front view thereof;  
FIG. 3 is a back view thereof;  
FIG. 4 is a right side view thereof;  
FIG. 5 is a left side view thereof; and,  
FIG. 6 is a top plan view thereof, shown at an enlarged scale.  
The dashed lines in FIGS. 1-6 represent environmental structure and form no part of the claimed design. All other surface (s) or portion(s) of the of my design not shown in the figures or otherwise described in the specification form no part of the claimed design.

**1 Claim, 6 Drawing Sheets**



# US D685,645 S

Page 2

## U.S. PATENT DOCUMENTS

D517,424 S 3/2006 Martos Sanchez ..... D9/682  
D521,386 S 5/2006 Priestman ..... D9/529  
D524,161 S \* 7/2006 Sauer et al. .... D9/529  
D531,041 S \* 10/2006 Sauer et al. .... D9/529  
D535,891 S 1/2007 Varlet ..... D9/573  
D538,673 S 3/2007 Sterling et al. .... D9/552  
D541,167 S 4/2007 Matsumura et al. .... D9/558  
D542,135 S \* 5/2007 Machmadow ..... D9/503  
D546,697 S 7/2007 Schnipper et al. .... D9/529  
D558,052 S 12/2007 Harper et al. .... D9/530  
D564,893 S 3/2008 Adamson et al. .... D9/556  
D565,420 S 4/2008 Adamson et al. .... D9/556  
D565,954 S 4/2008 Adamson et al. .... D9/516  
D570,690 S 6/2008 McGuinness ..... D9/504  
D576,044 S 9/2008 Lamb et al. .... D9/504  
D582,278 S 12/2008 Bourne ..... D9/504  
D582,283 S \* 12/2008 O'Donahue ..... D9/529  
D584,953 S 1/2009 Rica ..... D9/544  
D591,607 S 5/2009 Marotti et al. .... D9/571

D592,516 S 5/2009 Cummings et al. .... D9/530  
D604,180 S 11/2009 Nevins et al. .... D9/691  
D608,213 S 1/2010 Kuzma ..... D9/573  
D609,571 S 2/2010 Bulter et al. .... D9/504  
D611,825 S 3/2010 Usui et al. .... D9/529  
D619,900 S 7/2010 Rica ..... D9/574  
D621,268 S 8/2010 Morabito ..... D9/529  
D621,717 S 8/2010 Rica ..... D9/574  
D623,066 S 9/2010 Mongeon et al. .... D9/529  
D623,521 S 9/2010 Marotti et al. .... D9/516  
D627,651 S 11/2010 Marotti et al. .... D9/516  
D627,658 S 11/2010 Hale et al. .... D9/552  
D642,475 S \* 8/2011 Crutchley et al. .... D9/542

## OTHER PUBLICATIONS

Search Report issued in ROC (Taiwan) Design Application No.  
100306496, dated Jul. 25, 2012.

\* cited by examiner

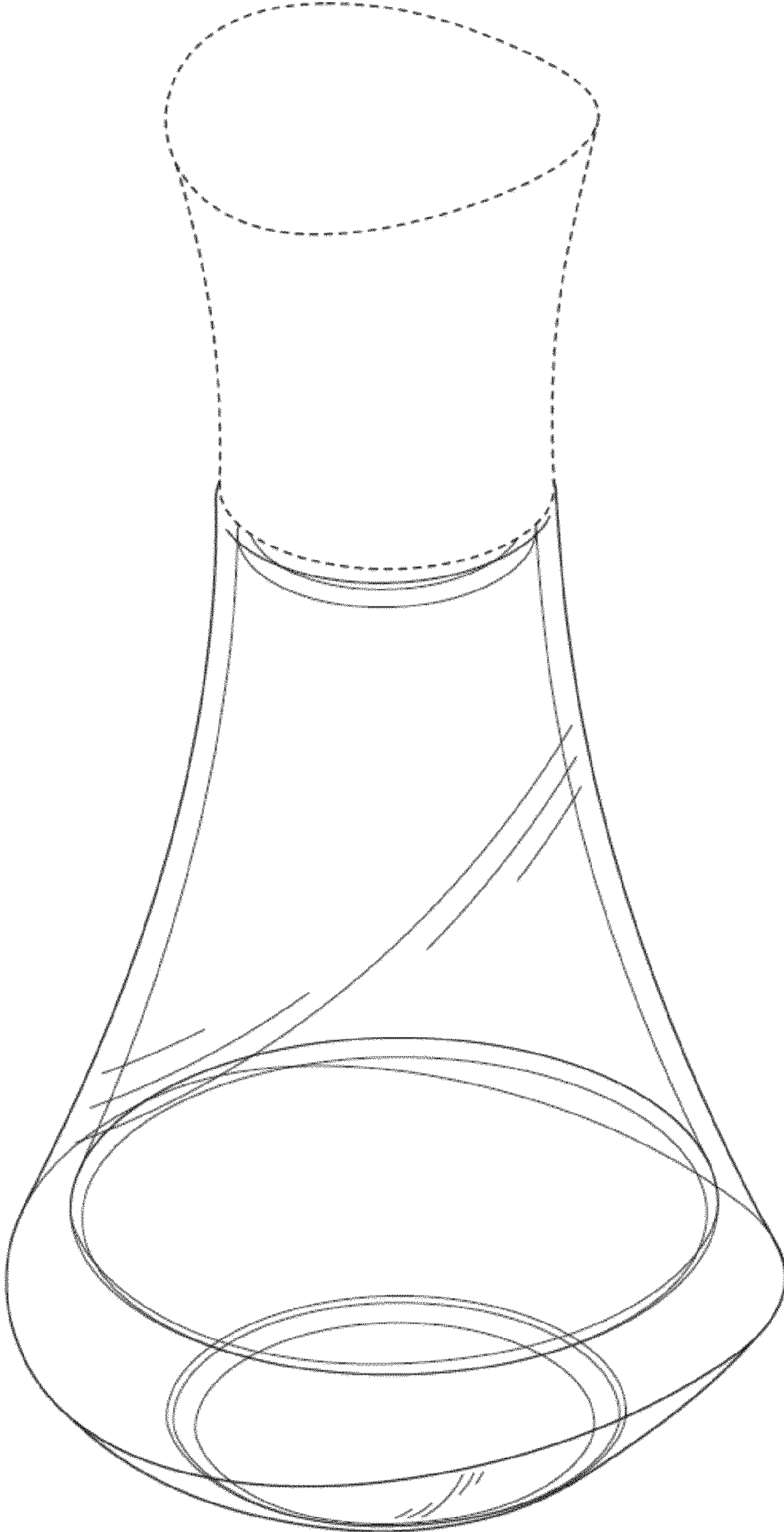


FIG. 1

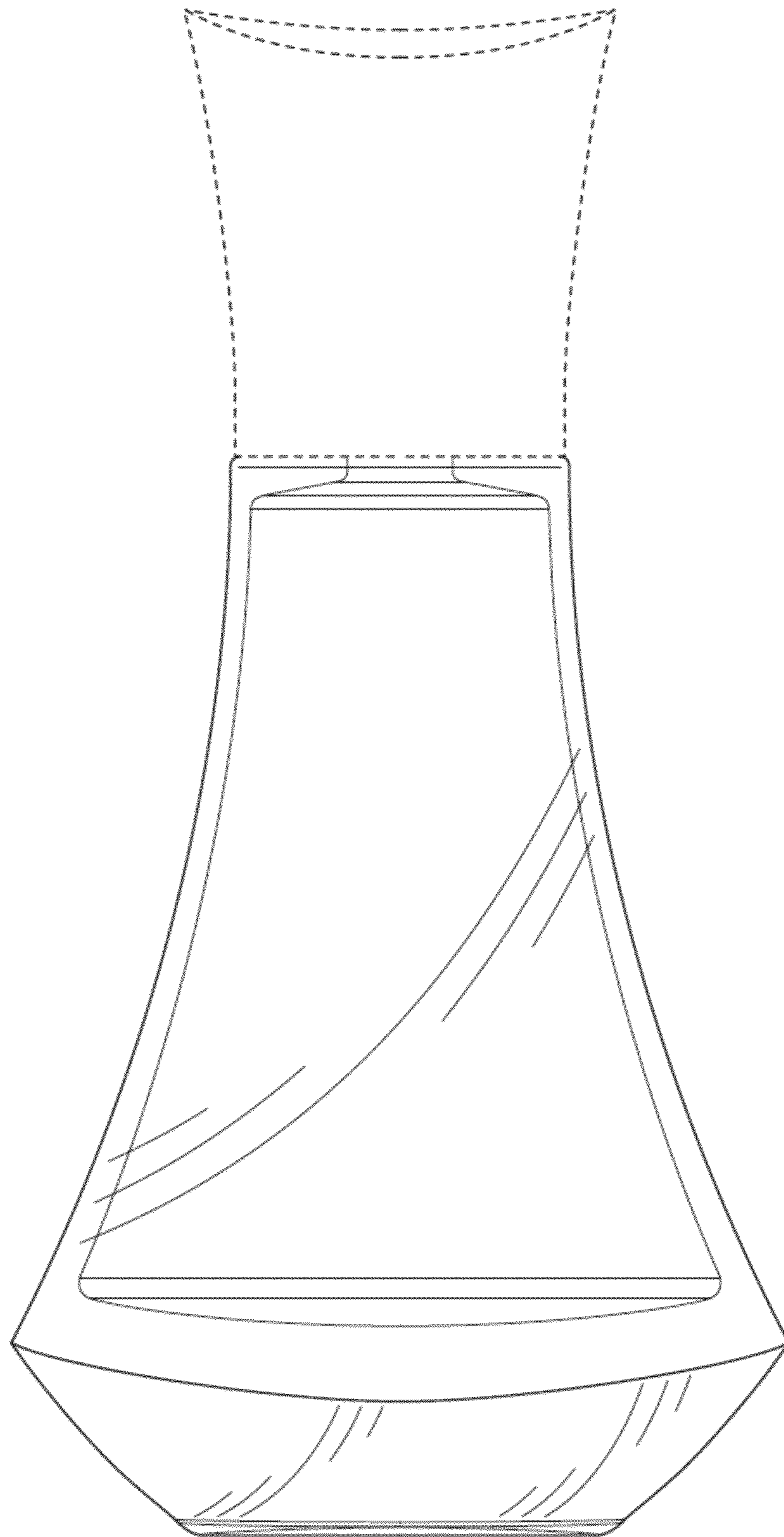


FIG. 2

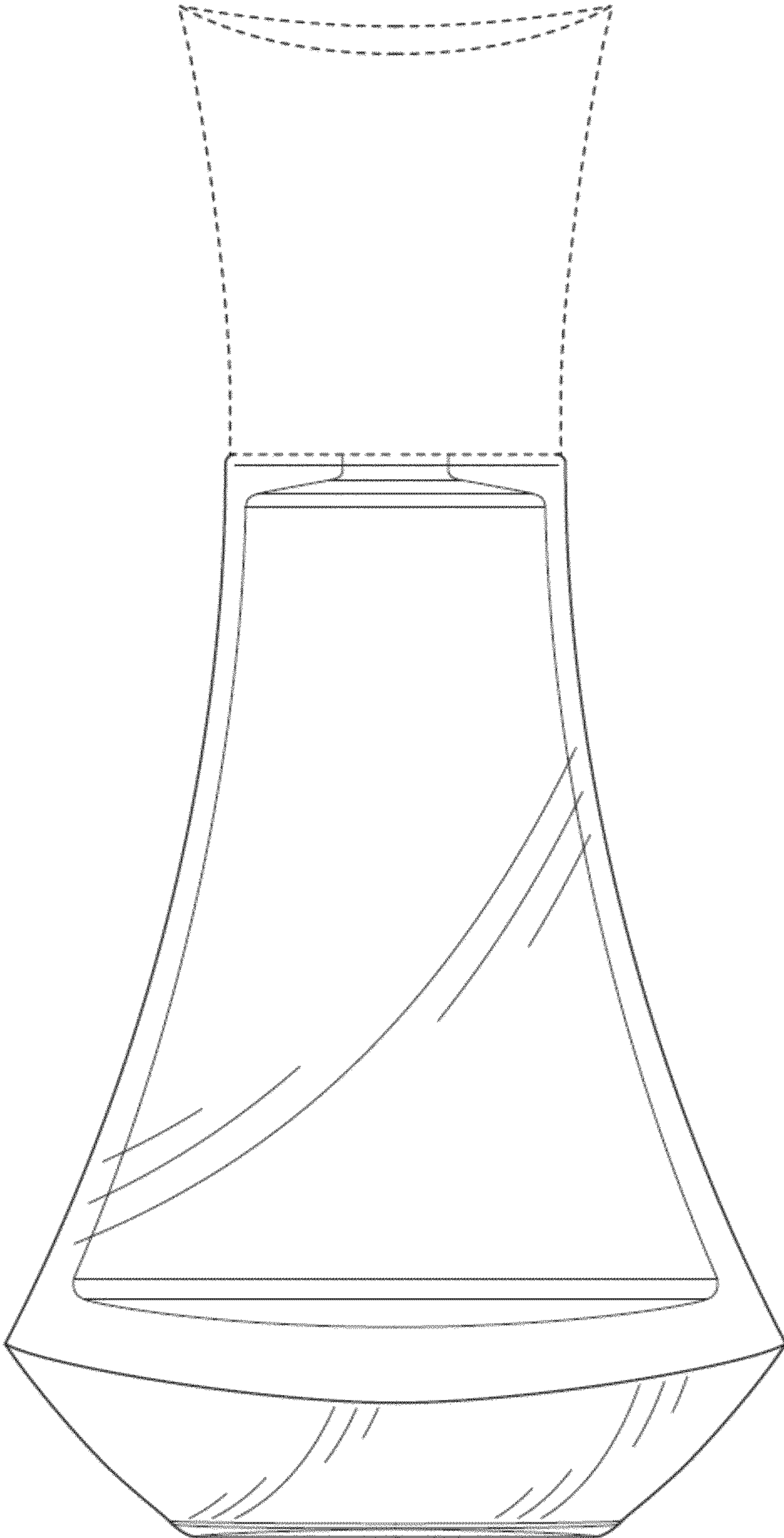


FIG. 3

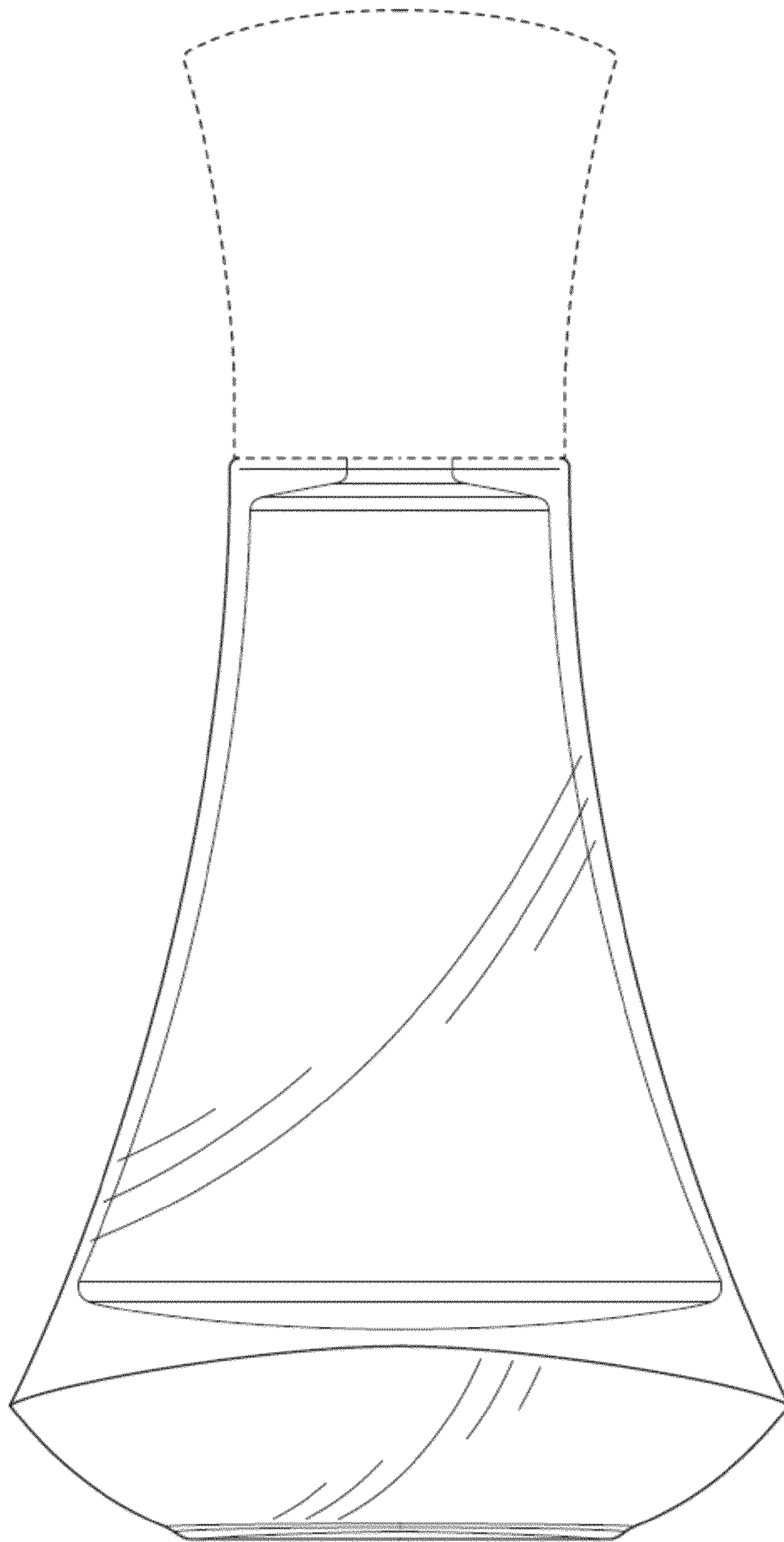


FIG. 4

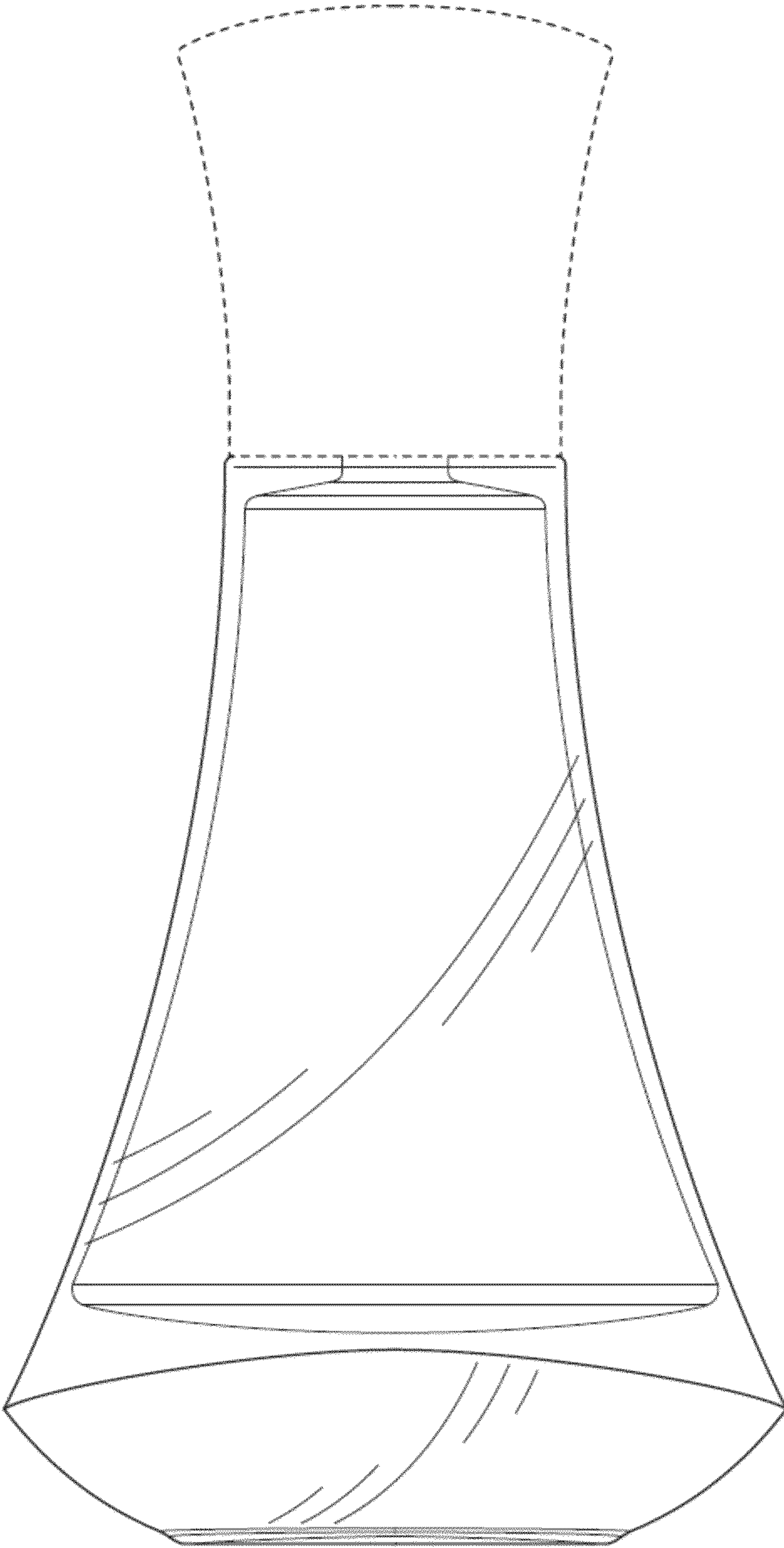


FIG. 5

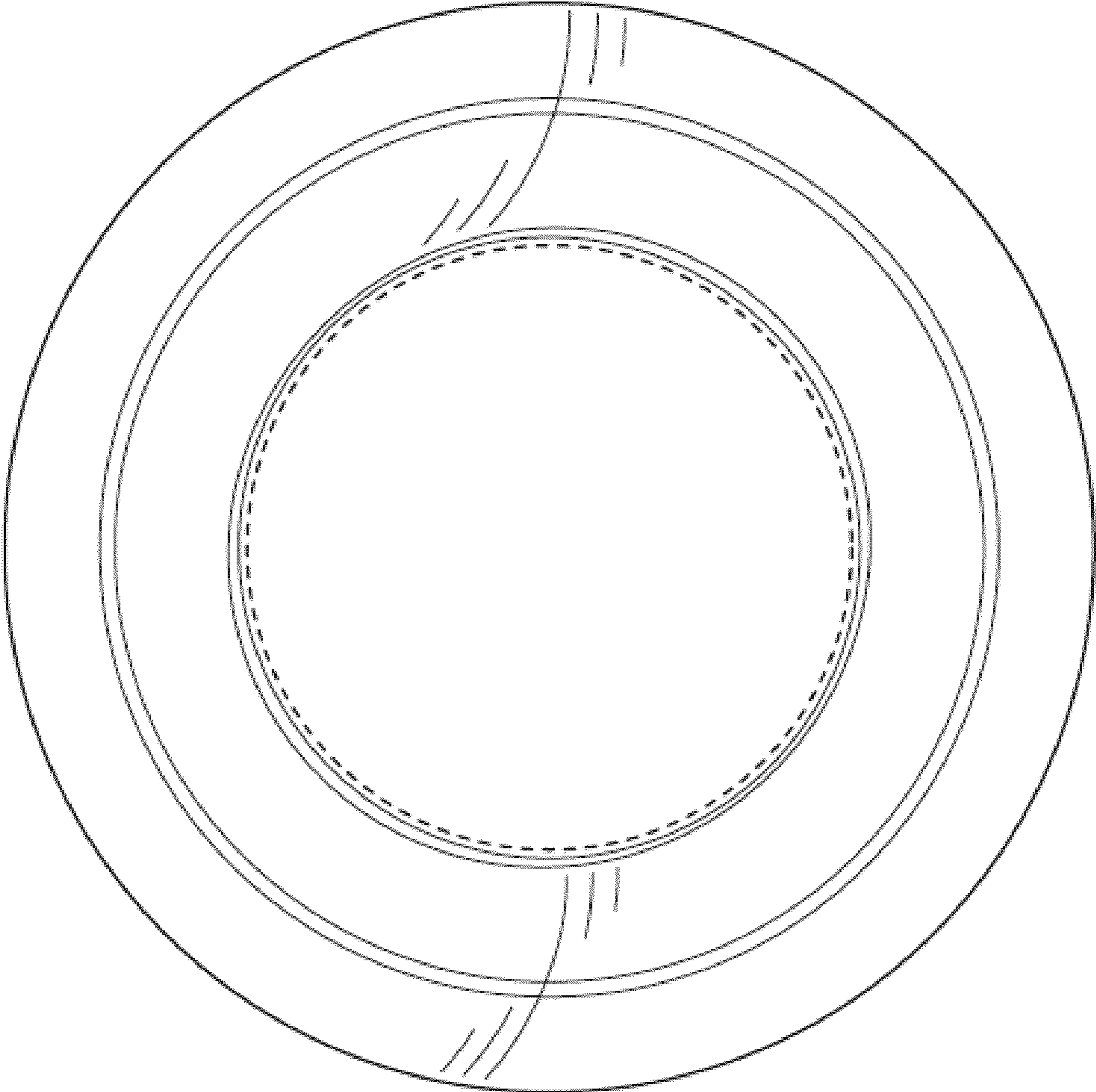


FIG. 6



UNITED STATES PATENT AND TRADEMARK OFFICE  
**CERTIFICATE OF CORRECTION**

PATENT NO. : D685,645 S  
APPLICATION NO. : 29/404988  
DATED : July 9, 2013  
INVENTOR(S) : Jenny DeMarco

Page 1 of 1

It is certified that error appears in the above-identified patent and that said Letters Patent is hereby corrected as shown below:

On Title Page, Item (73) Assignee:, delete “Mark” and insert --Mary-- therefore.

On Title Page, DESCRIPTION, line 10, delete “of the”.

Signed and Sealed this  
First Day of October, 2013



Teresa Stanek Rea  
*Deputy Director of the United States Patent and Trademark Office*