



US00D685639S

(12) **United States Design Patent**
Colon et al.

(10) **Patent No.:** **US D685,639 S**
(45) **Date of Patent:** **** Jul. 9, 2013**

(54) **BOTTLE**

(75) Inventors: **Julie Thacker Colon**, Durham, NC
(US); **Gabriel Prero**, Elmhurst, IL (US);
Courtney Elizabeth Cloninger,
Morrisville, NC (US)

(73) Assignee: **The Clorox Company**, Oakland, CA
(US)

(**) Term: **14 Years**

(21) Appl. No.: **29/408,683**

(22) Filed: **Dec. 15, 2011**

(51) **LOC (9) Cl.** **09-01**

(52) **U.S. Cl.**
USPC **D9/504; D9/449**

(58) **Field of Classification Search**
USPC D9/500, 502-505, 516, 537, 539,
D9/544-545, 549, 558, 682, 686, 688-691,
D9/447, 449; 215/379, 381; 220/660, 669,
220/675

See application file for complete search history.

(56) **References Cited**

U.S. PATENT DOCUMENTS

D139,381 S	*	11/1944	Harris	D9/504
D189,374 S	*	11/1960	Harris	D9/504
D415,031 S	*	10/1999	Mahlmann	D9/520
D439,516 S	*	3/2001	Bakic	D9/449
D484,055 S	*	12/2003	Feigenbaum	D9/500
D493,720 S	*	8/2004	Bakic	D9/449
D505,327 S	*	5/2005	Bakic	D9/449
D506,390 S	*	6/2005	Bakic	D9/449
D526,200 S		8/2006	Bakic		
D526,201 S		8/2006	Bakic		
D526,202 S		8/2006	Bakic		

D533,784 S		12/2006	Bakic		
D539,147 S		3/2007	O'Brien		
D544,351 S	*	6/2007	Dittmer et al.	D9/504
D544,352 S	*	6/2007	Dittmer et al.	D9/504
D545,678 S	*	7/2007	Dittmer et al.	D9/504
D566,559 S	*	4/2008	Swint et al.	D9/504
D571,663 S	*	6/2008	Bakic	D9/500
D574,713 S		8/2008	Althoff et al.		
D584,638 S		1/2009	Castelnuovo-Tedesco		
D589,805 S		4/2009	Kunesh et al.		
D592,062 S		5/2009	DaSilva et al.		
D592,970 S		5/2009	Thorpe		
D601,027 S		9/2009	Courtaigne Delalande		
D601,900 S		10/2009	Phemster		
D613,174 S		4/2010	Pecora		
D614,032 S		4/2010	Handy		
D617,646 S		6/2010	Kuzma et al.		
D619,894 S	*	7/2010	Ashiwa et al.	D9/504
D637,910 S	*	5/2011	Yeung	D9/504
D638,710 S		5/2011	Yeung		

* cited by examiner

Primary Examiner — Ian Simmons
Assistant Examiner — Dana L Meyrow
(74) *Attorney, Agent, or Firm* — Ann Lee

(57) **CLAIM**

We claim the ornamental design for a bottle, as shown and described.

DESCRIPTION

FIG. 1 is a top perspective view of a bottle, showing our new design;

FIG. 2 is a top plan view thereof;

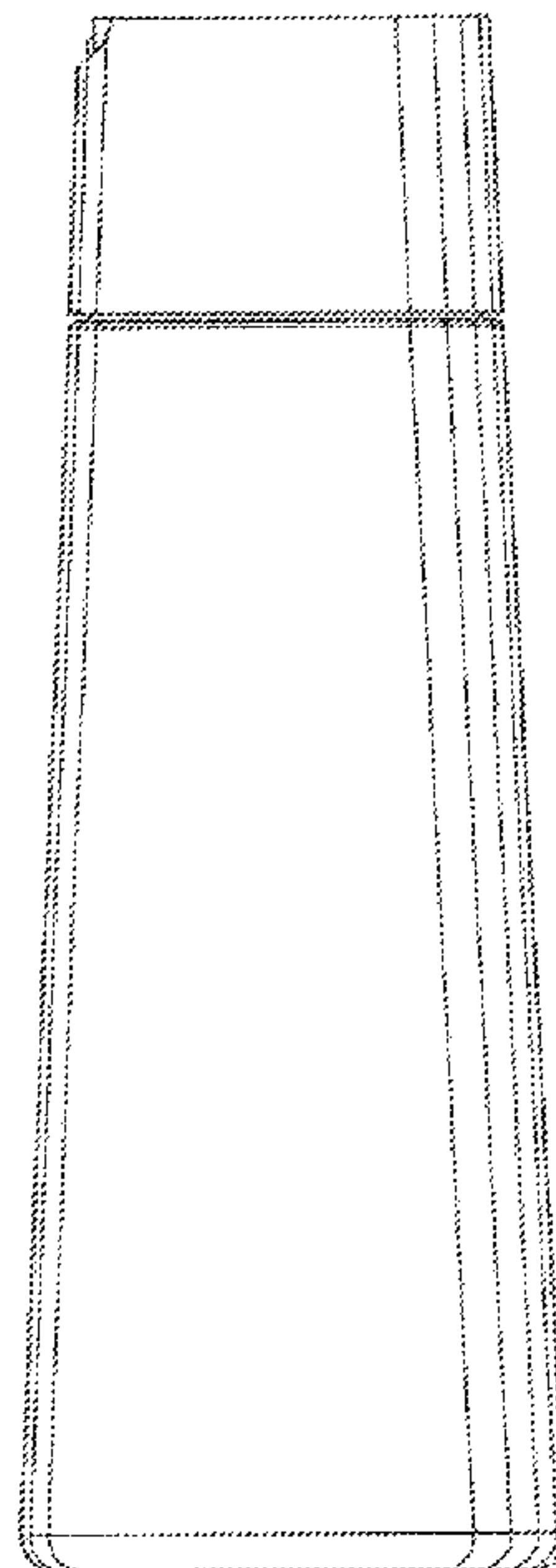
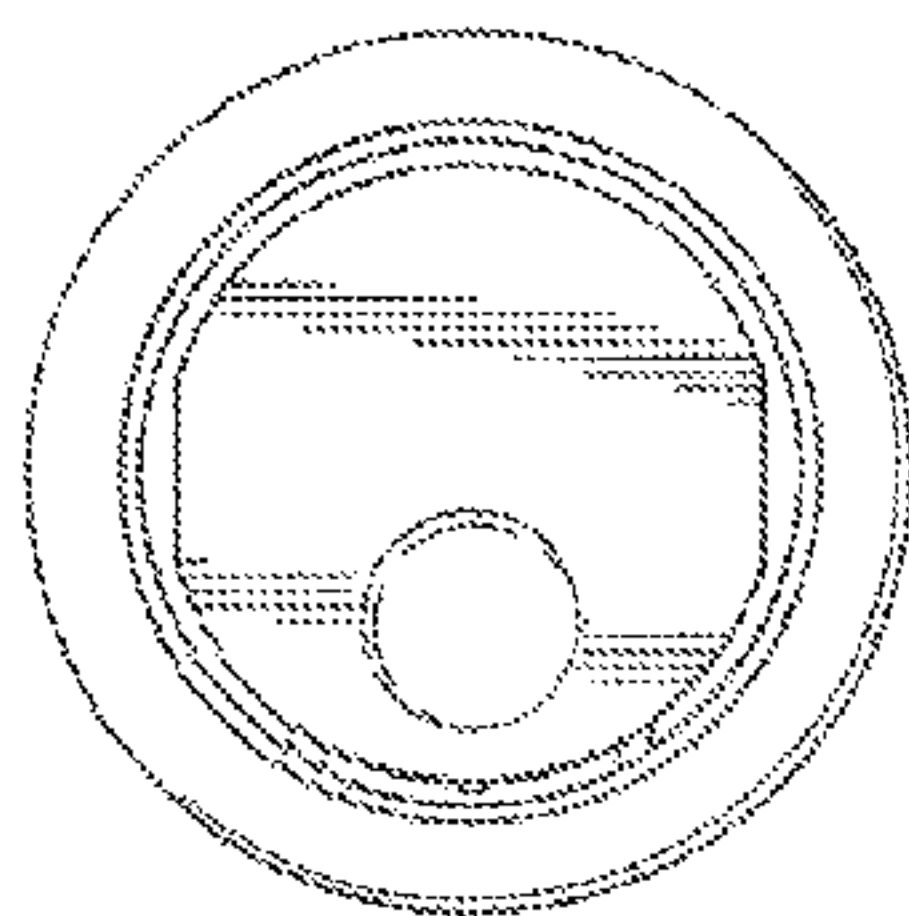
FIG. 3 is a back side elevation view thereof;

FIG. 4 is a front side elevation view thereof;

FIG. 5 is a left side elevation view thereof; and,

FIG. 6 is a right side elevation view thereof.

1 Claim, 2 Drawing Sheets



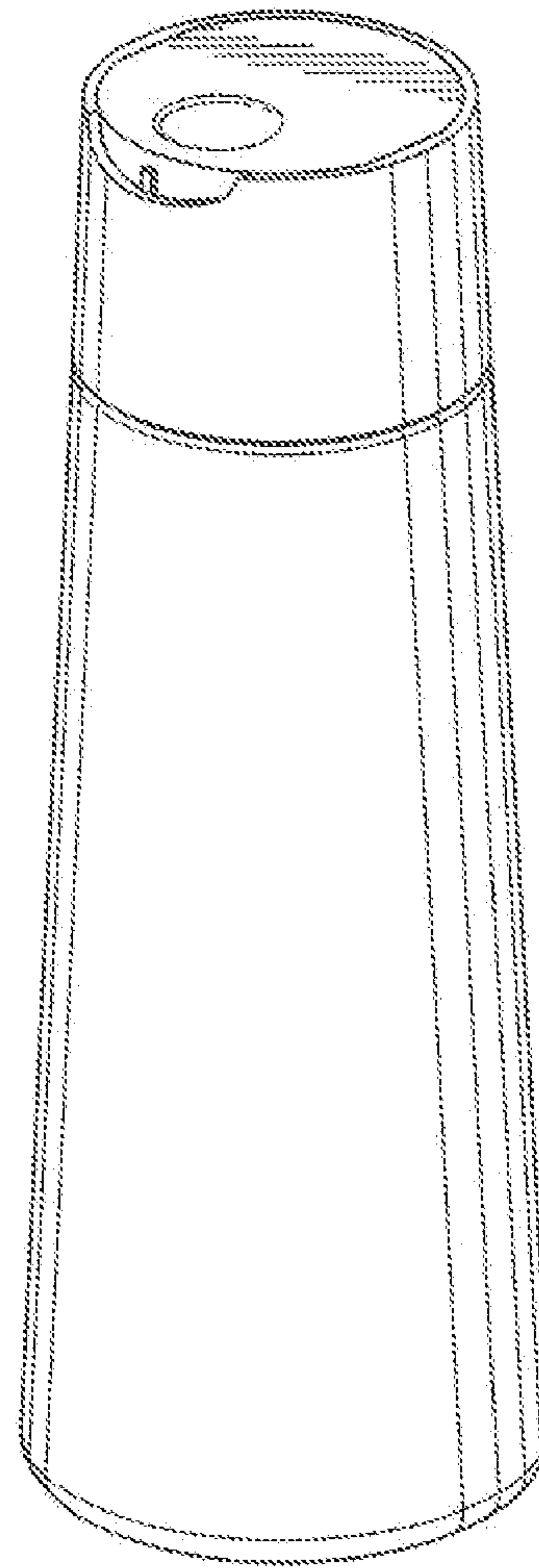


FIG. 1

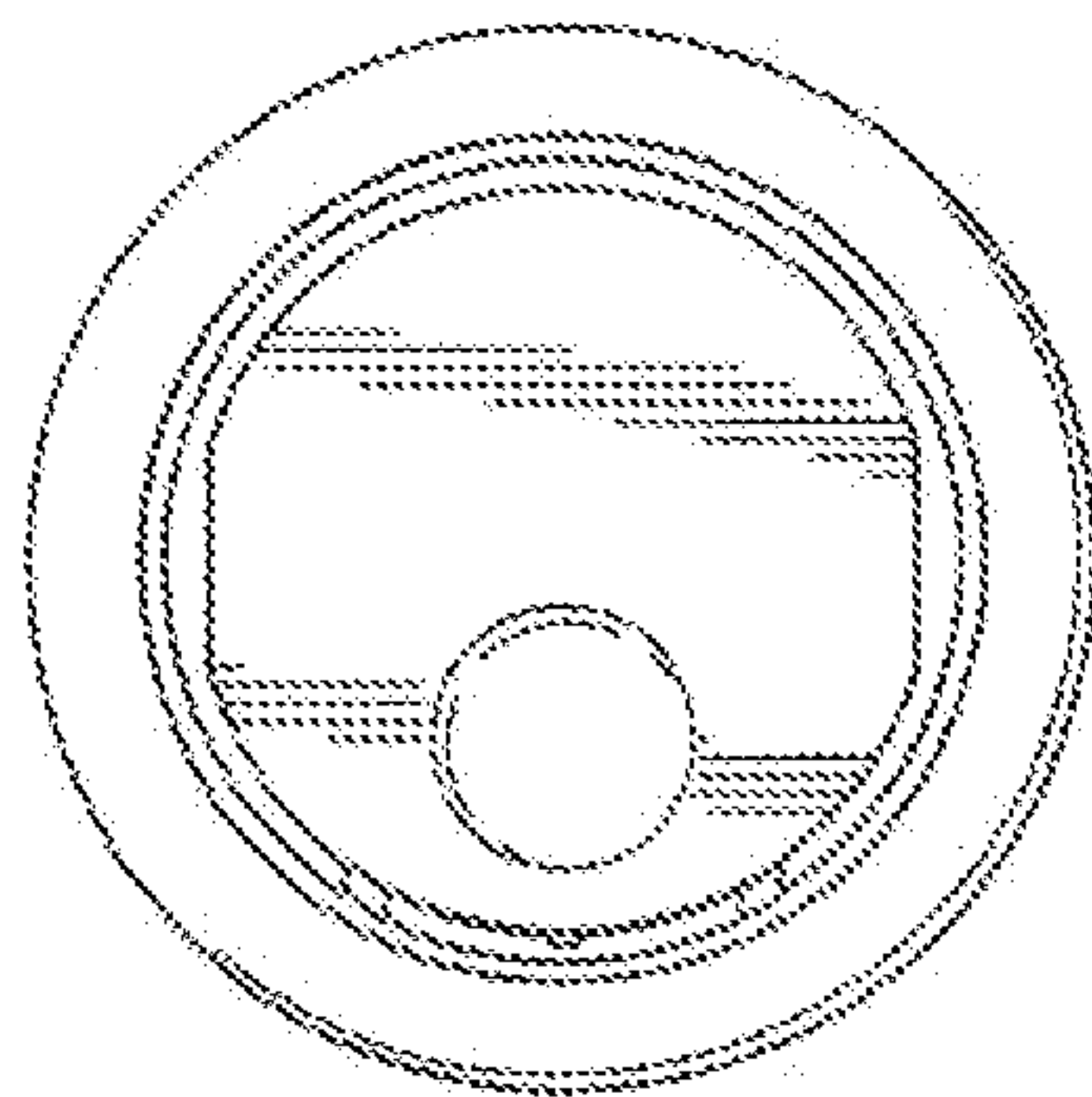


FIG. 2

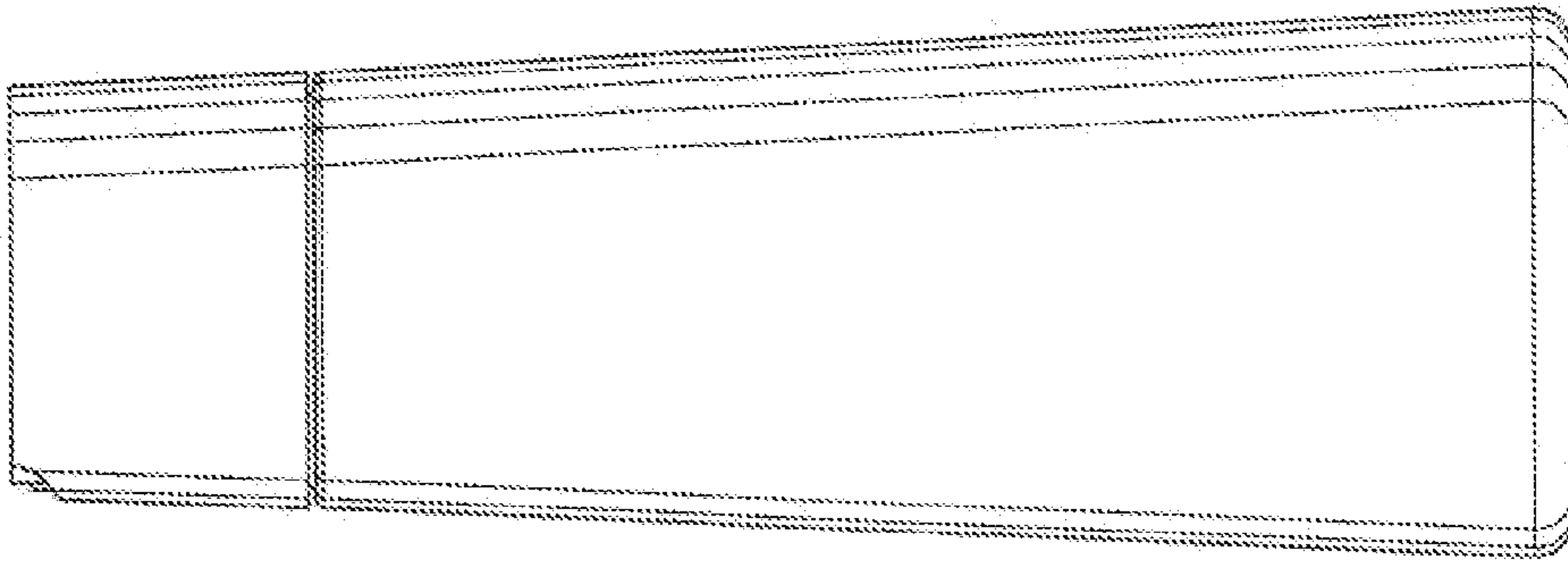


FIG. 6

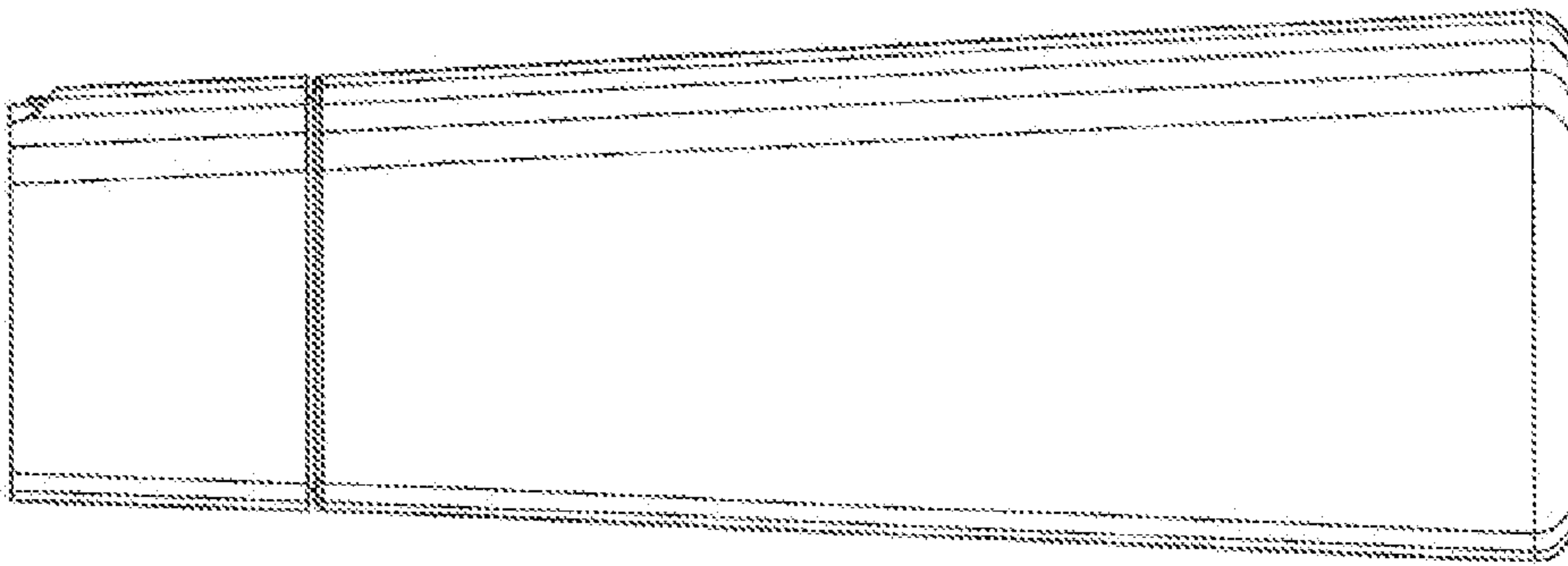


FIG. 5

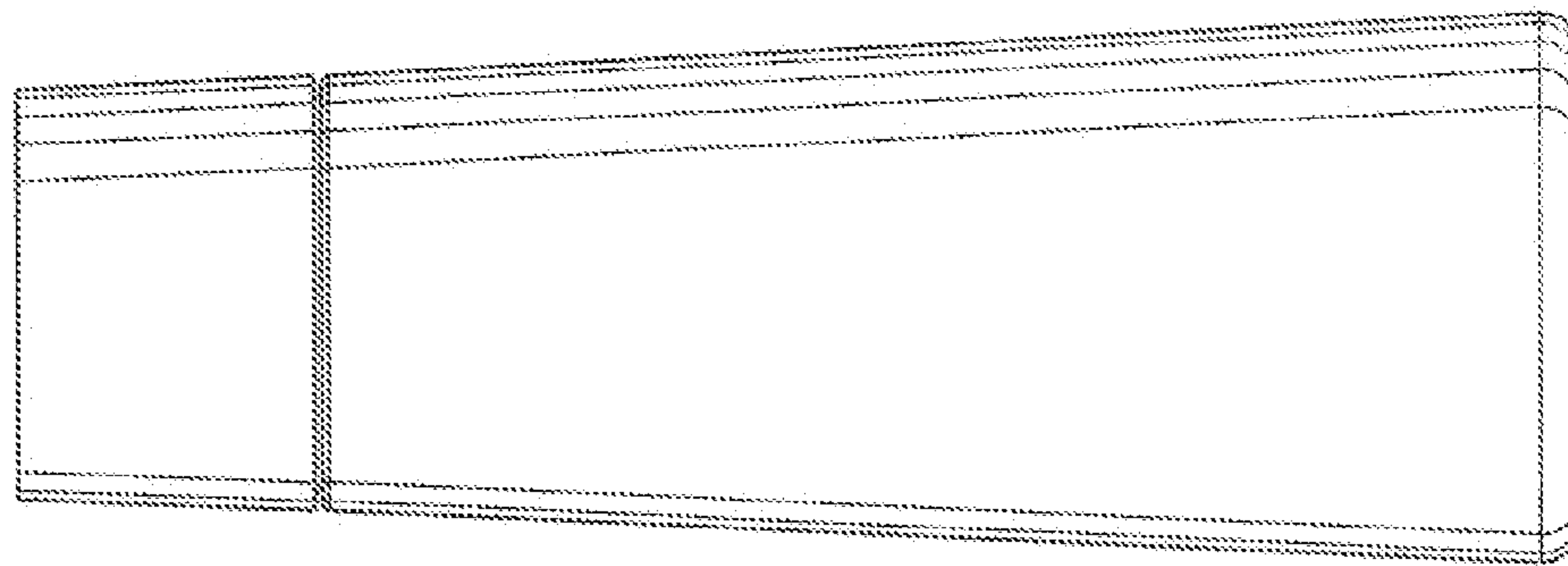


FIG. 4

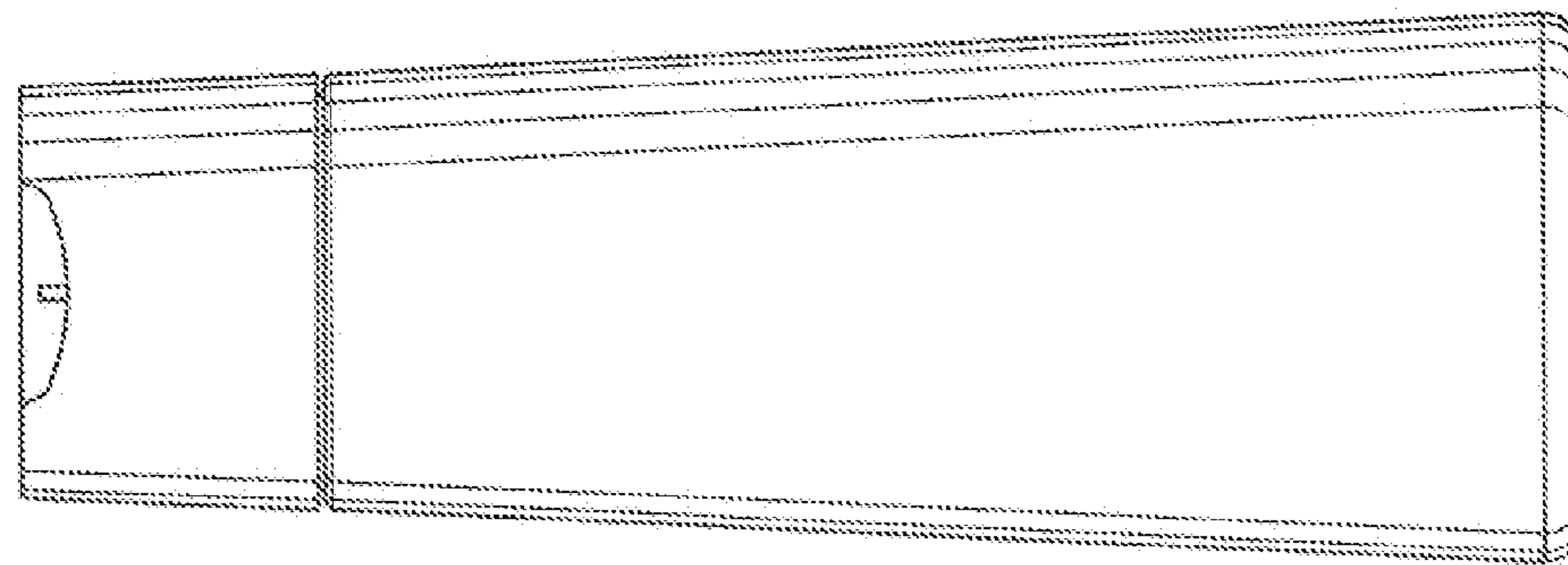


FIG. 3