



US00D685638S

(12) **United States Design Patent**
DeMarco

(10) **Patent No.:** **US D685,638 S**
(45) **Date of Patent:** **** Jul. 9, 2013**

(54) **COSMETIC CONTAINER**
(75) Inventor: **Jenny DeMarco**, Frisco, TX (US)
(73) Assignee: **Mary Kay Inc.**, Dallas, TX (US)
(**) Term: **14 Years**

(21) Appl. No.: **29/398,627**
(22) Filed: **Aug. 2, 2011**
(51) **LOC (9) Cl.** **09-01**
(52) **U.S. Cl.**
USPC **D9/504**; D4/116
(58) **Field of Classification Search**
USPC D9/435, 500, 502-505, 516, 529,
D9/539, 542, 544-545, 549, 554, 558, 574-575,
D9/682, 686, 688-692; D7/509-511; 215/379,
215/381-384; 220/660, 669-673, 675;
D28/76-77, 85, 88-89
See application file for complete search history.

(56) **References Cited**

U.S. PATENT DOCUMENTS

D139,381 S *	11/1944	Harris	D9/504
D189,374 S *	11/1960	Harris	D9/504
2,997,731 A *	8/1961	Schultz	401/213
D200,498 S *	3/1965	Guerlain	D9/556
D263,115 S *	2/1982	Ohmori	D9/632
D276,891 S	12/1984	Fortuna	D9/520
D308,635 S	6/1990	DiNuccio	D9/529
D325,523 S	4/1992	Restrepo	D9/529
D345,918 S	4/1994	Chevassus	D9/529
D399,658 S	10/1998	Nosella	D4/116
D415,319 S	10/1999	Bakic	D28/76
D419,075 S	1/2000	Gavin	D9/529
D422,902 S *	4/2000	Kikuchi	D9/689
D430,035 S	8/2000	Heeter et al.	D9/529
D472,147 S *	3/2003	Herrmann	D9/504
D474,341 S	5/2003	Cantone et al.	D4/116
D486,392 S	2/2004	Chuang	D9/503

D486,393 S	2/2004	Chuang	D9/503
D487,016 S *	2/2004	DeBiasse et al.	D9/445
D506,672 S	6/2005	Hina	D9/436
D521,383 S	5/2006	Priestman	D9/529
D521,384 S	5/2006	Priestman	D9/529
D521,386 S *	5/2006	Priestman	D9/529
D527,642 S	9/2006	Priestman	D9/529

(Continued)

FOREIGN PATENT DOCUMENTS

JP	D1113375	7/2001
TW	D104372	5/2005
TW	D135286	6/2010

OTHER PUBLICATIONS

“Reverse Taper”, ABA Packaging Corporation Catalog, ABA Packaging Corp., Holtsville, NY, 2004, p. 57.*

(Continued)

Primary Examiner — Ian Simmons

Assistant Examiner — Dana L Meyrow

(74) *Attorney, Agent, or Firm* — Fulbright & Jaworski LLP

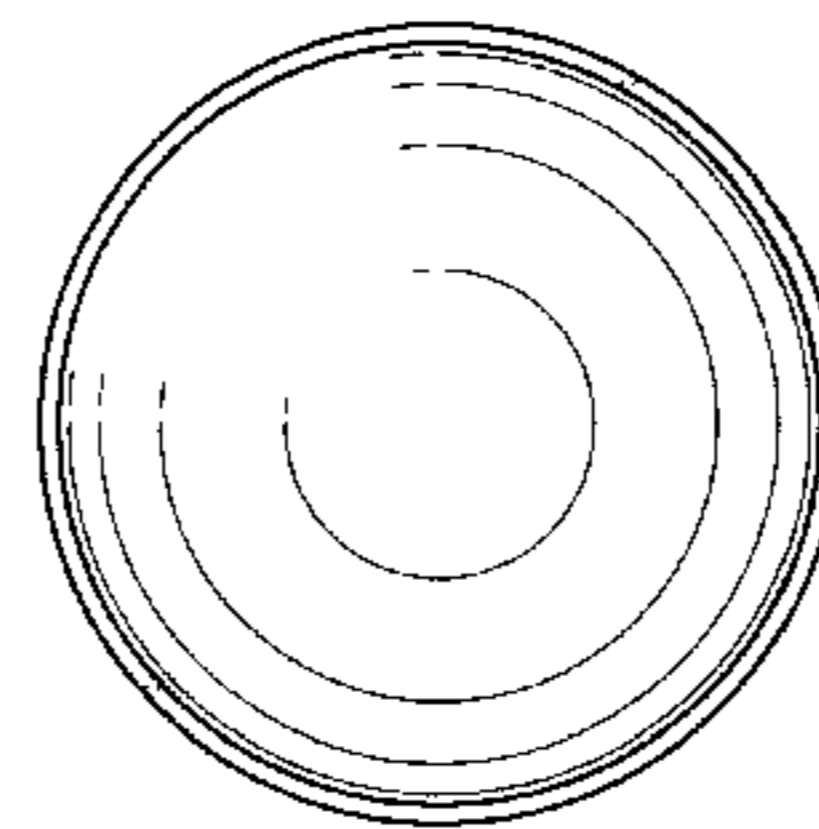
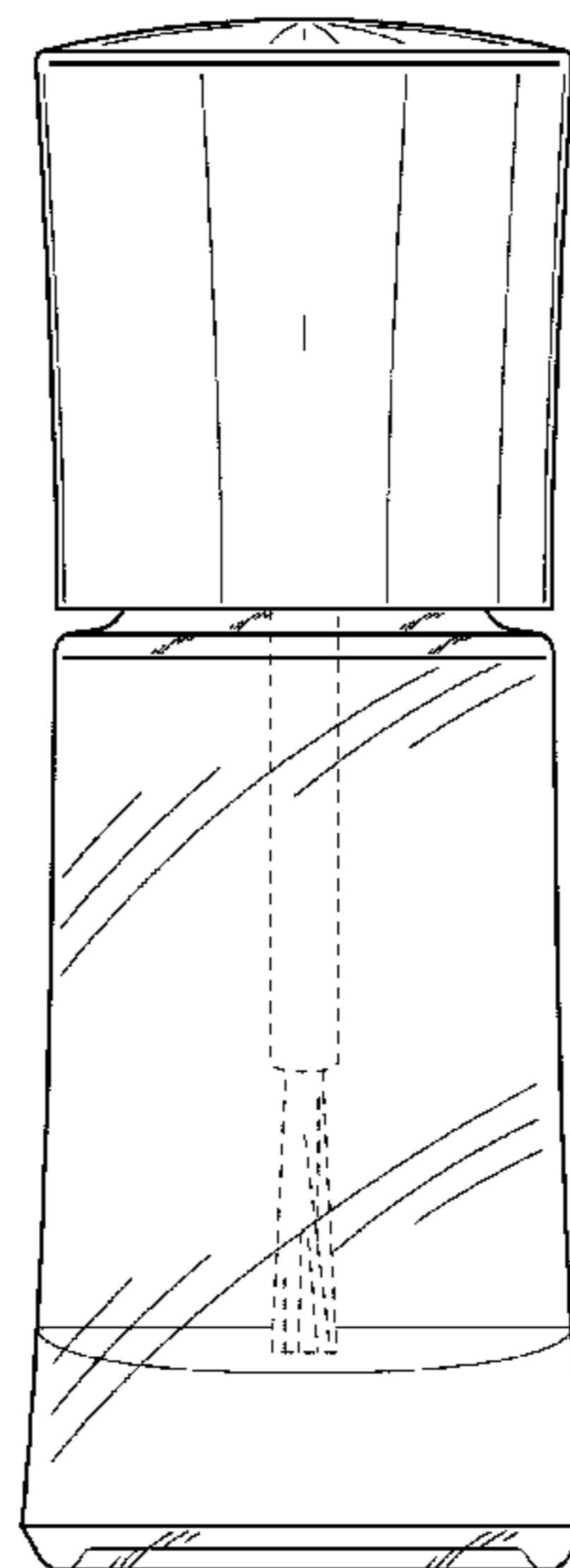
(57) **CLAIM**

The ornamental design for a cosmetic container, as shown and described.

DESCRIPTION

FIG. 1 is a top perspective view of a cosmetic container showing my new design;
FIG. 2 is a side elevation view thereof, all other sides being identical; and,
FIG. 3 is a top plan view thereof.
The dashed lines in FIGS. 1 and 2 represent environment structure and form no part of the claimed design. All other surface(s) or portion(s) of my design not shown in the figures or otherwise described in the specification form no part of the claimed design.

1 Claim, 3 Drawing Sheets



US D685,638 S

Page 2

U.S. PATENT DOCUMENTS

D541,659 S 5/2007 Fischer D9/529
D554,505 S 11/2007 Gilbert D9/503
D565,797 S 4/2008 Maddy D28/88
D569,251 S * 5/2008 Varlet D9/500
D569,254 S 5/2008 Moretti D9/529
D570,051 S 5/2008 Bakic D28/88
D571,219 S 6/2008 McCoy D9/546
D571,663 S 6/2008 Bakic D9/500
D572,592 S 7/2008 Chang D9/504
D574,248 S 8/2008 Baraky et al. D9/529
D584,639 S 1/2009 Antretter D9/687
D605,049 S 12/2009 Tanii et al. D9/529
D609,571 S * 2/2010 Butler et al. D9/504

D610,459 S * 2/2010 Nagata D9/504
D613,174 S * 4/2010 Pecora D9/529
D615,400 S 5/2010 Usui et al. D9/454
D629,699 S 12/2010 Kim et al. D9/574
D639,166 S * 6/2011 Carreno D9/504
D640,136 S * 6/2011 Liba D9/529
D653,112 S * 1/2012 White et al. D9/529

OTHER PUBLICATIONS

Search Report issued in Taiwanese Patent Application No.
100306495, dated Aug. 22, 2012.

* cited by examiner

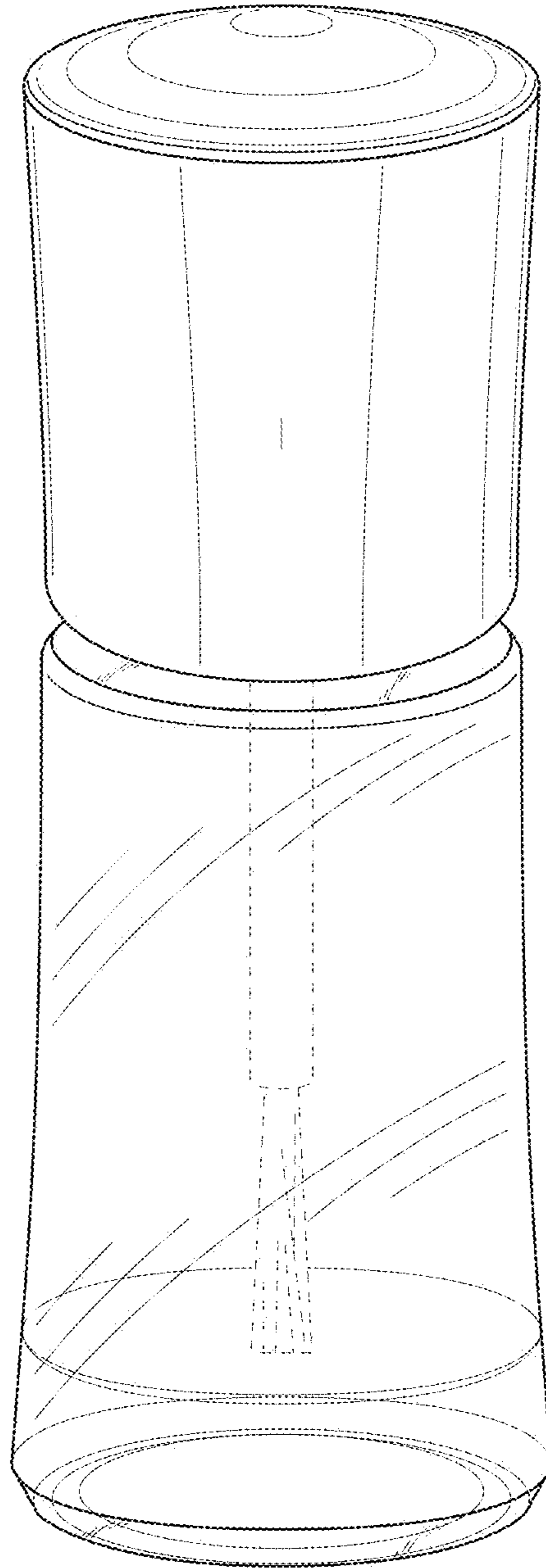


FIG. 1

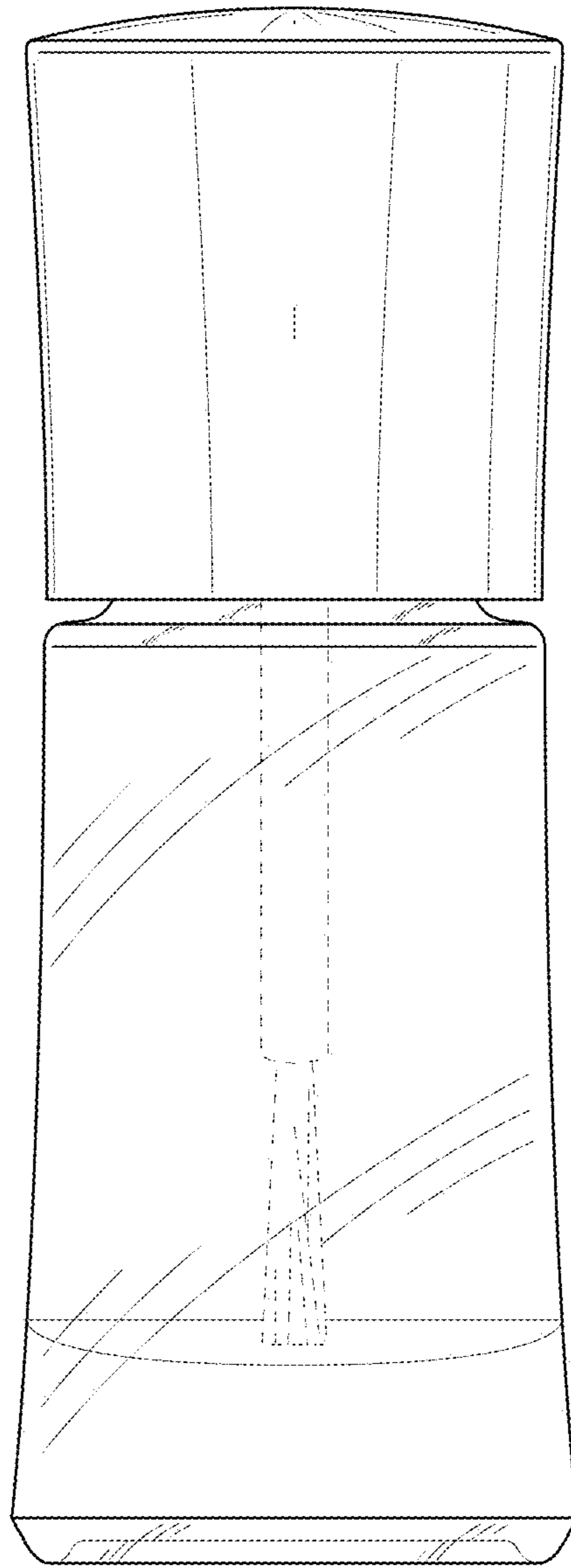


FIG. 2

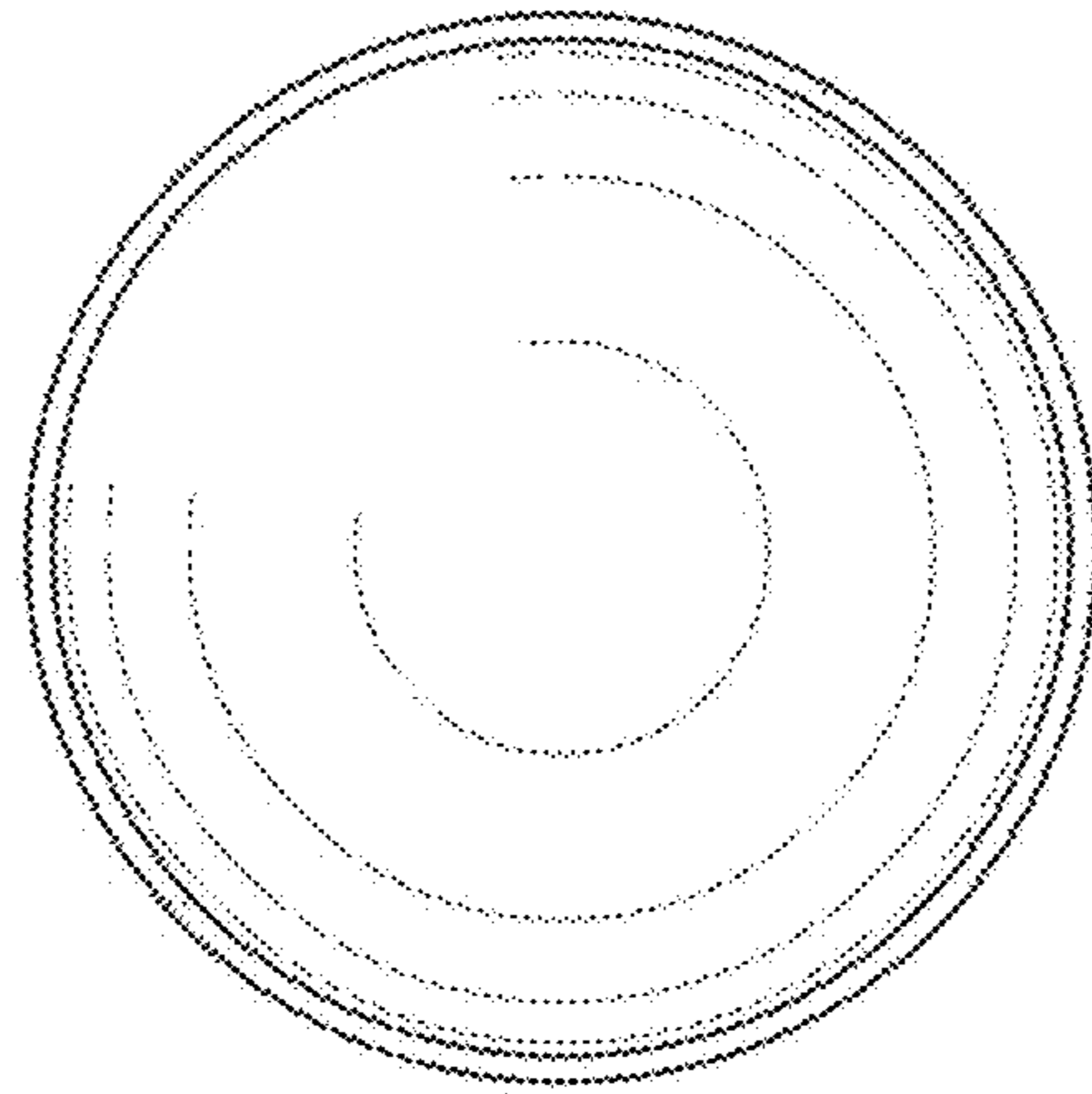


FIG. 3