



US00D685637S

(12) **United States Design Patent**
Colon et al.

(10) **Patent No.:** **US D685,637 S**
(45) **Date of Patent:** **** Jul. 9, 2013**

(54) **BOTTLE**

(75) Inventors: **Julie Thacker Colon**, Durham, NC (US); **Gabriel Prero**, Elmhurst, IL (US); **Courtney Elizabeth Cloninger**, Morrisville, NC (US)

(73) Assignee: **The Clorox Company**, Oakland, CA (US)

(**) Term: **14 Years**

(21) Appl. No.: **29/408,682**

(22) Filed: **Dec. 15, 2011**

(51) **LOC (9) Cl.** **09-01**

(52) **U.S. Cl.**
USPC **D9/500**

(58) **Field of Classification Search**
USPC D9/500, 502–505, 516, 537, 539,
D9/544–545, 549, 558, 682, 686, 688–691;
215/379, 381; 220/660, 669, 675
See application file for complete search history.

(56) **References Cited**

U.S. PATENT DOCUMENTS

D139,381 S	*	11/1944	Harris	D9/504
D189,374 S	*	11/1960	Harris	D9/504
D277,360 S	*	1/1985	Kaneko	D9/502
D309,711 S	*	8/1990	Biesecker	D9/500
D327,005 S	*	6/1992	Beeman	D9/500
D484,055 S	*	12/2003	Feigenbaum	D9/500
D526,200 S		8/2006	Bakic		
D526,201 S		8/2006	Bakic		
D526,202 S		8/2006	Bakic		
D533,784 S		12/2006	Bakic		

D539,147 S	3/2007	O'Brien	
D574,713 S	8/2008	Althoff et al.	
D584,638 S	1/2009	Castelnuovo-Tedesco	
D589,805 S	4/2009	Kunesh et al.	
D592,062 S	5/2009	DaSilva et al.	
D592,970 S	5/2009	Thorpe	
D601,027 S	9/2009	Courtaigne Delalande	
D601,900 S	10/2009	Phemister	
D613,174 S	4/2010	Pecora	
D614,032 S	4/2010	Handy	
D615,404 S	*	5/2010	Pitzer et al. D9/500
D617,646 S	6/2010	Kuzma et al.	
D638,710 S	5/2011	Yeungr	

* cited by examiner

Primary Examiner — Ian Simmons

Assistant Examiner — Dana L Meyrow

(74) *Attorney, Agent, or Firm* — Ann Lee

(57) **CLAIM**

We claim the ornamental design for a bottle, as shown and described.

DESCRIPTION

FIG. 1 is a top perspective view of a bottle, showing our new design;

FIG. 2 is a top plan view thereof;

FIG. 3 is a front side elevation view thereof;

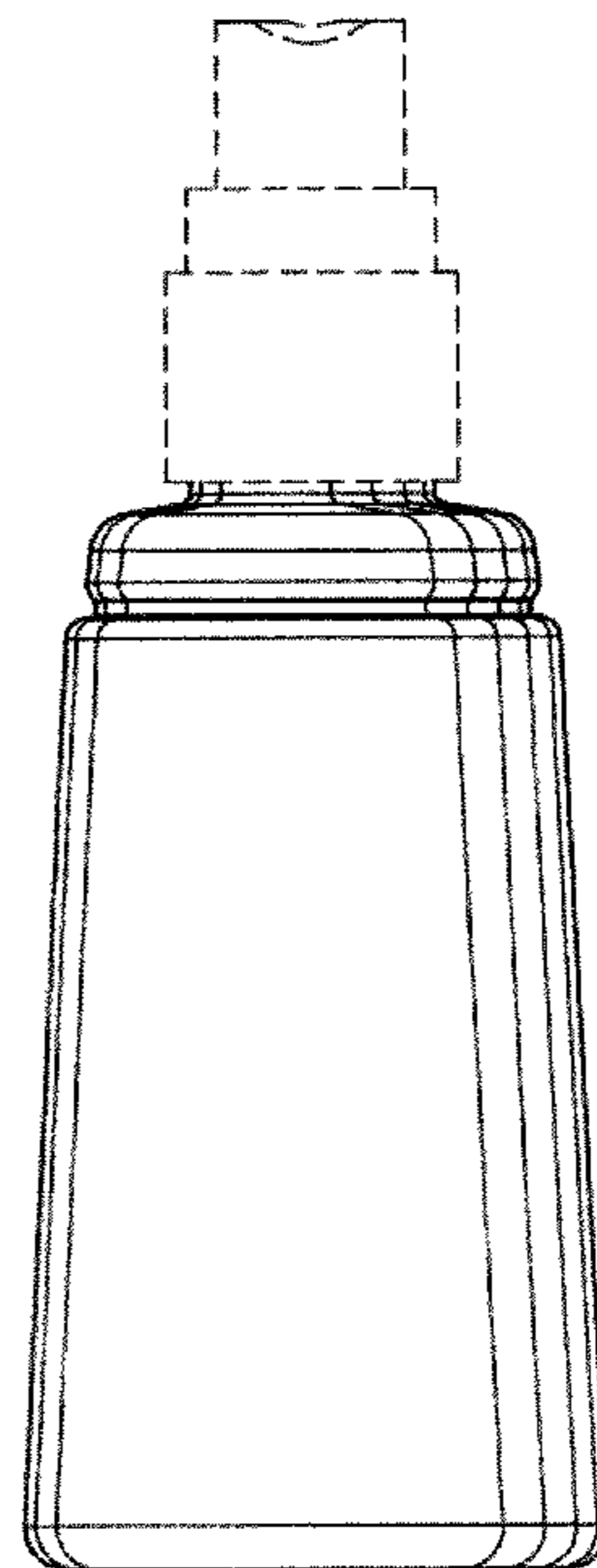
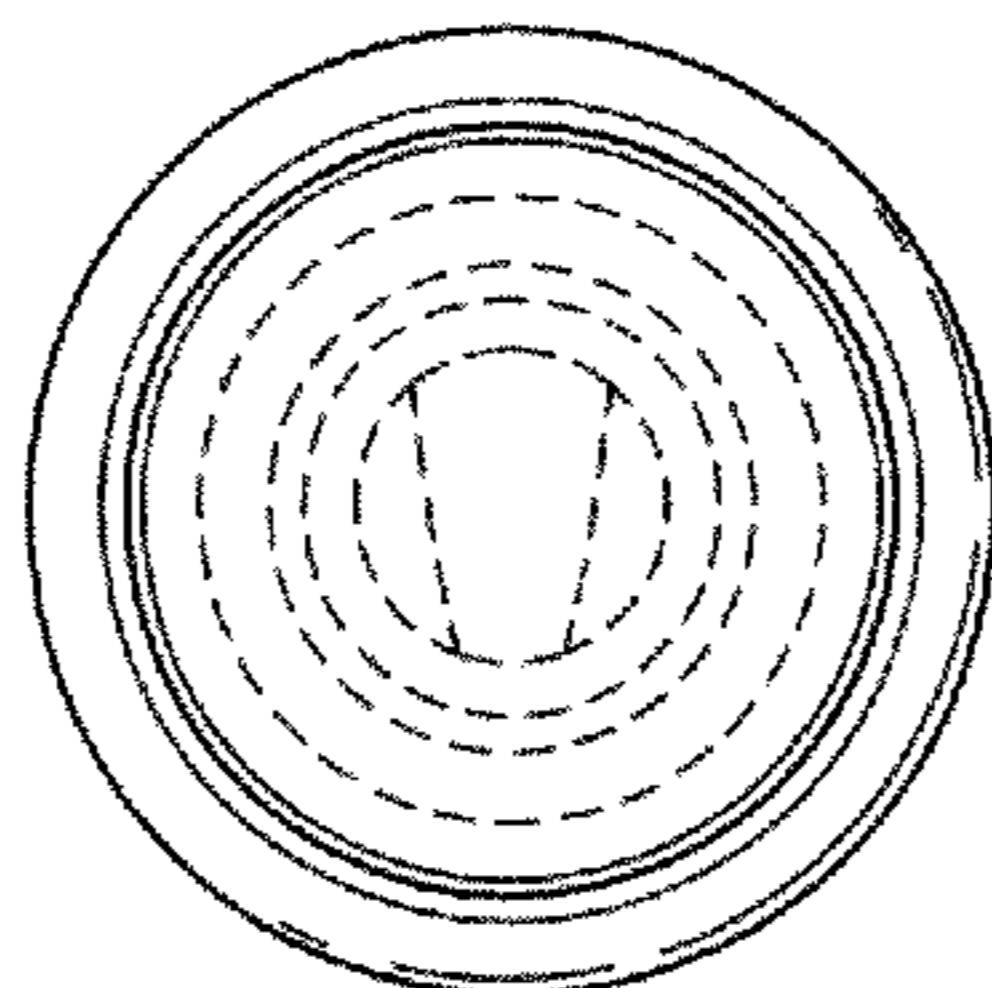
FIG. 4 is a back side elevation view thereof;

FIG. 5 is a right side elevation view thereof; and,

FIG. 6 is a left side elevation view thereof.

The phantom lining shown in broken lines in the drawing is for illustrative purposes only and forms no part of the claimed design.

1 Claim, 2 Drawing Sheets



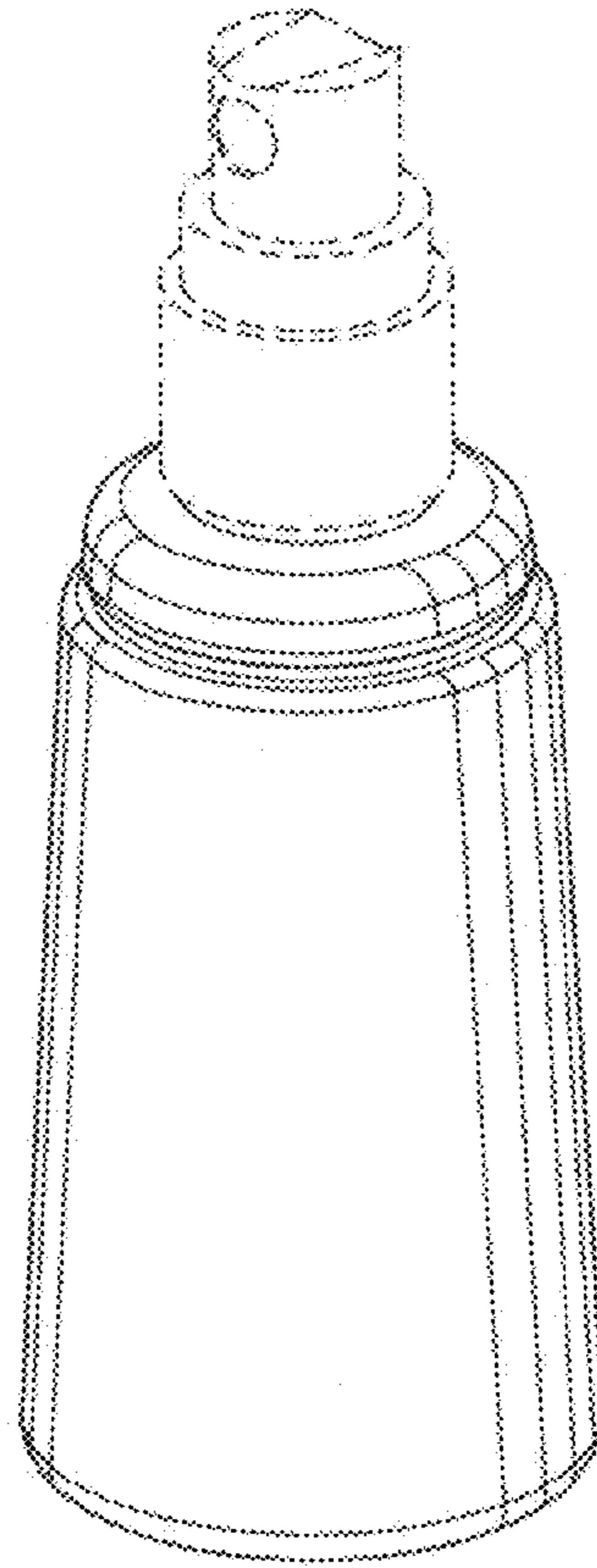


FIG. 1

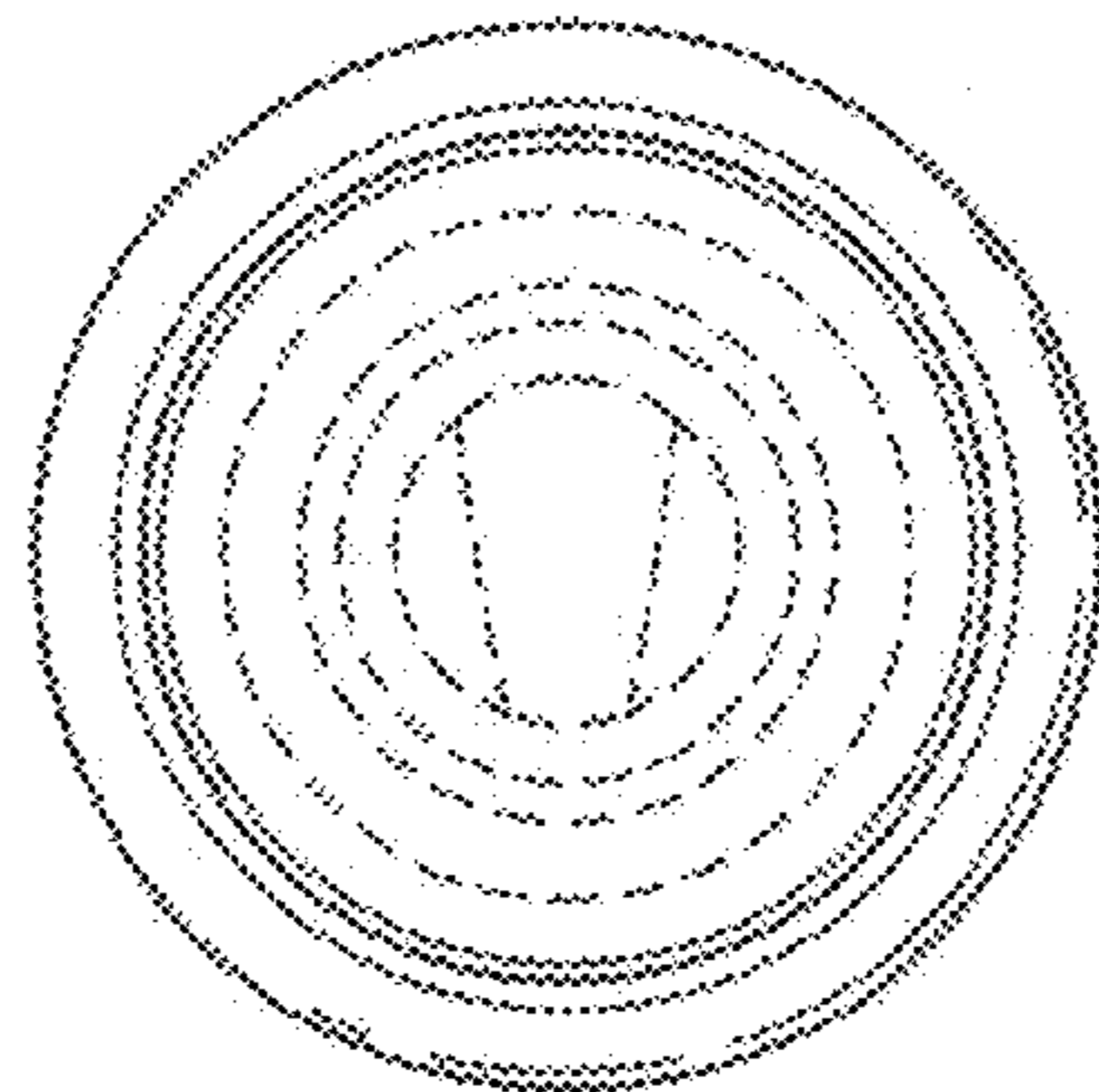


FIG. 2

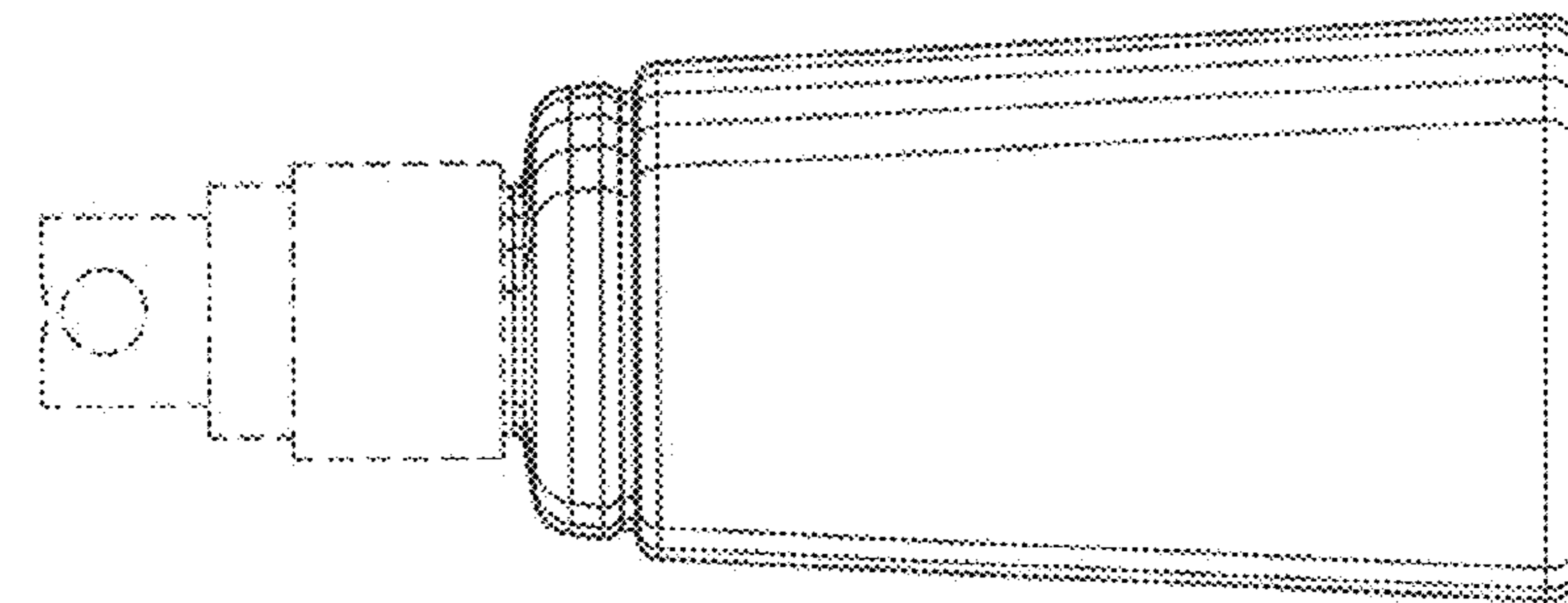
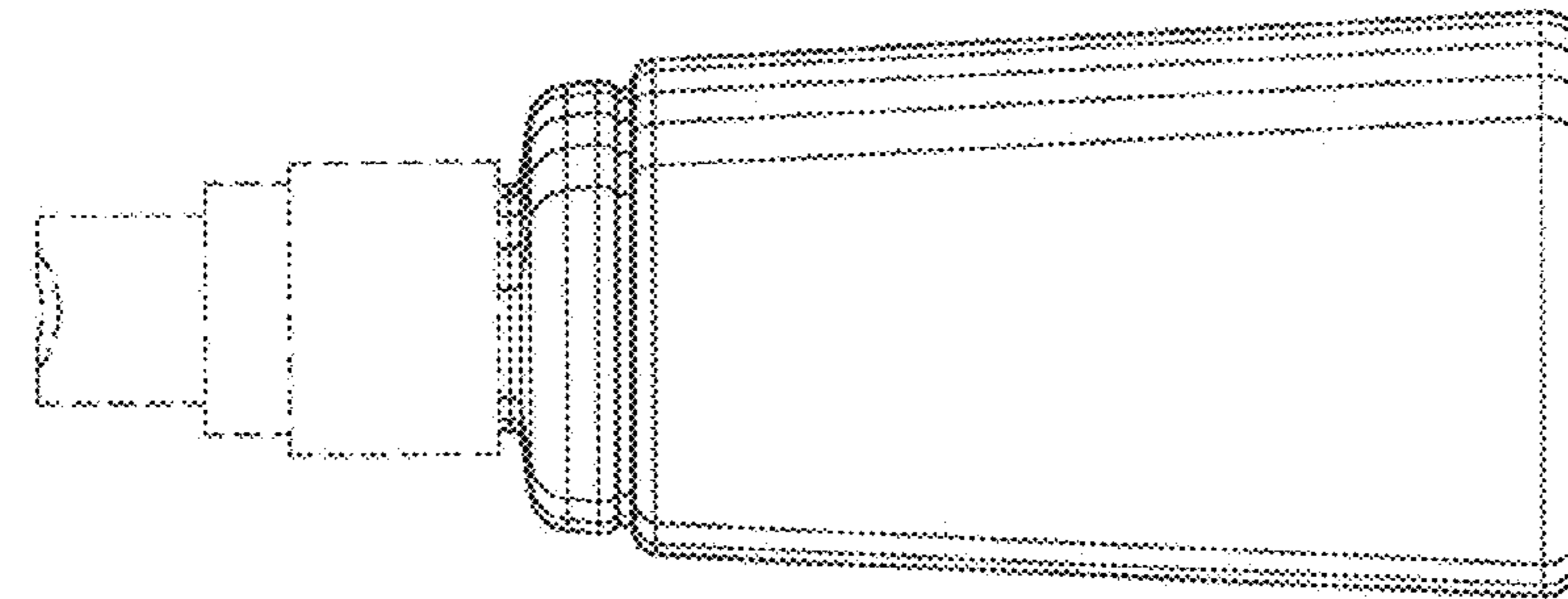
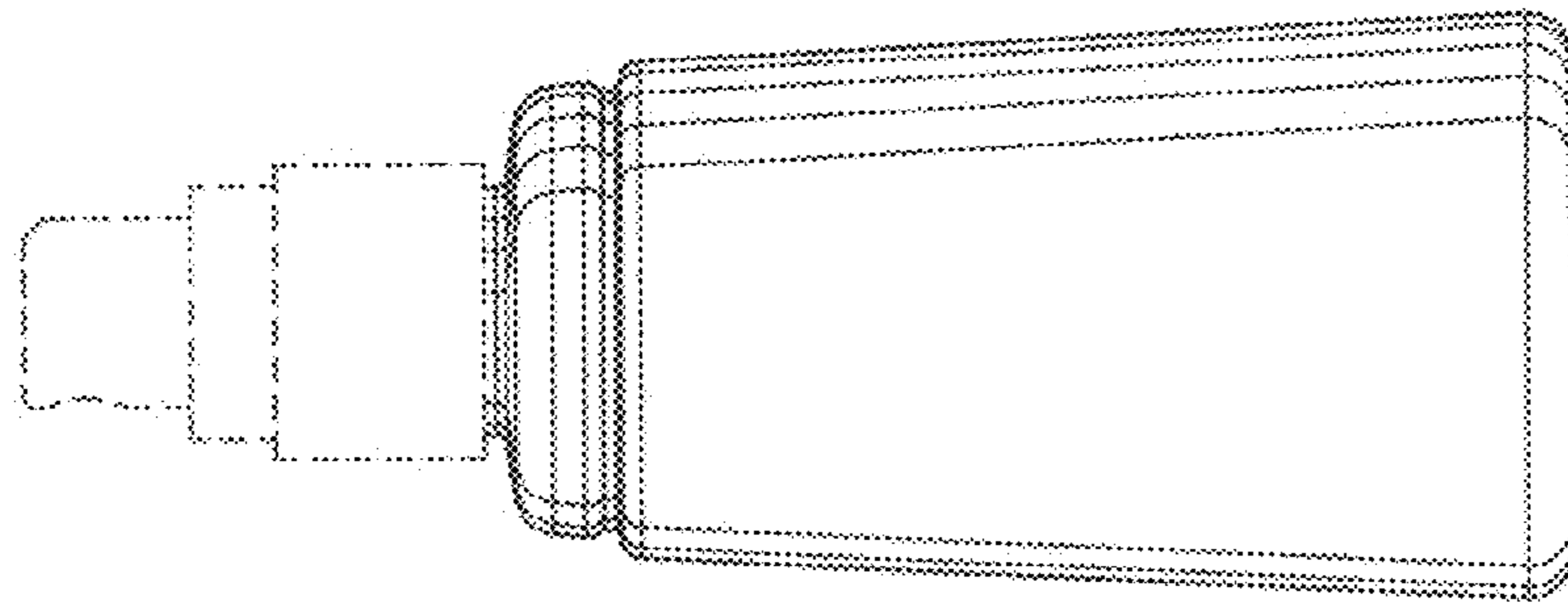
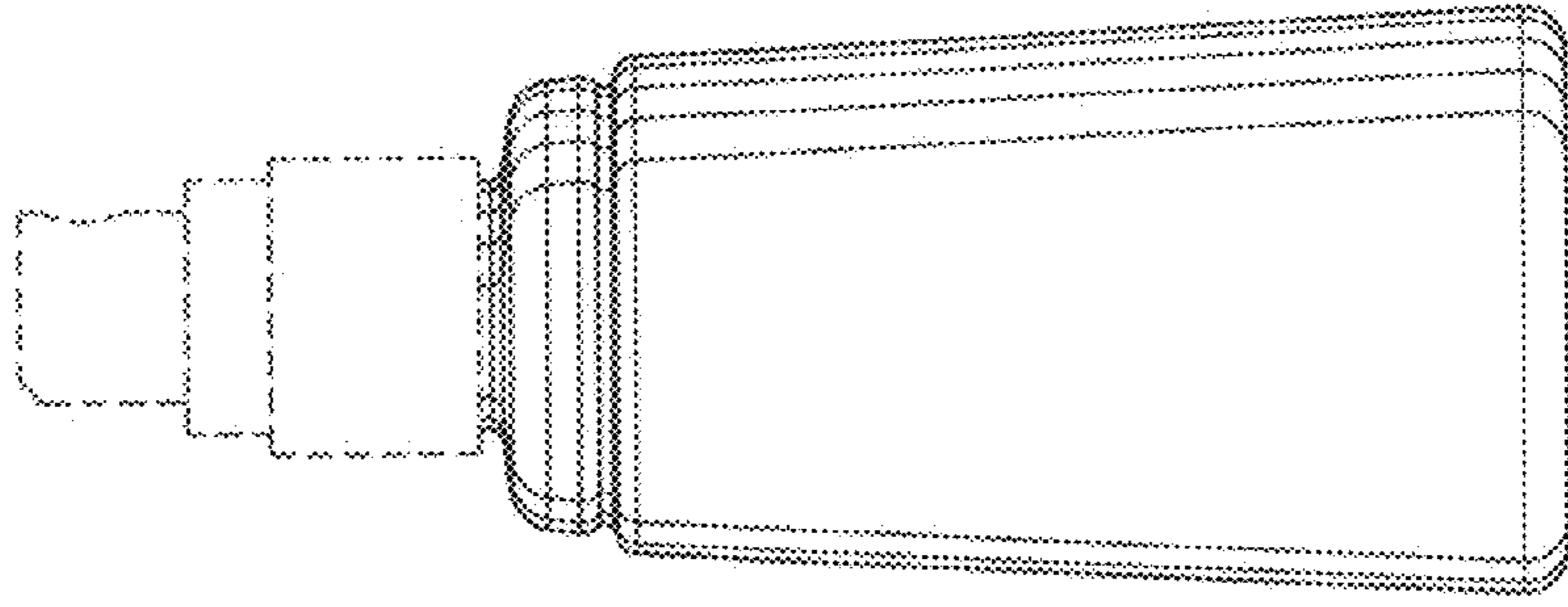


FIG. 3

FIG. 4

FIG. 5

FIG. 6