



US00D685636S

(12) **United States Design Patent**
Golota et al.

(10) **Patent No.:** **US D685,636 S**

(45) **Date of Patent:** **** Jul. 9, 2013**

(54) **LID**

(75) Inventors: **George A. Golota**, Glenview, IL (US);
Andrei Voityna, Chicago, IL (US)

(73) Assignee: **D&W Fine Pack**, Elk Grove Village, IL
(US)

(**) Term: **14 Years**

(21) Appl. No.: **29/402,579**

(22) Filed: **Sep. 23, 2011**

(51) **LOC (9) Cl.** **09-07**

(52) **U.S. Cl.**
USPC **D9/435**

(58) **Field of Classification Search**
USPC D9/780, 772, 767, 763, 454, 438,
D9/434, 428, 425; D7/396.2, 392.1, 627,
D7/605, 553.2, 541; 220/713, 711, 703, 377,
220/273, 270, 256.1, 254.1, 906, 367.1, 366.1,
220/276, 272, 271, 265; 229/406, 123.2

See application file for complete search history.

(56) **References Cited**

U.S. PATENT DOCUMENTS

D637,482 S * 5/2011 Snedden et al. D9/425
D664,843 S * 8/2012 Golota et al. D9/425
8,251,242 B2 * 8/2012 Vovan 220/276

* cited by examiner

Primary Examiner — Susan Bennett Hattan

(74) *Attorney, Agent, or Firm* — Cardinal Law Group

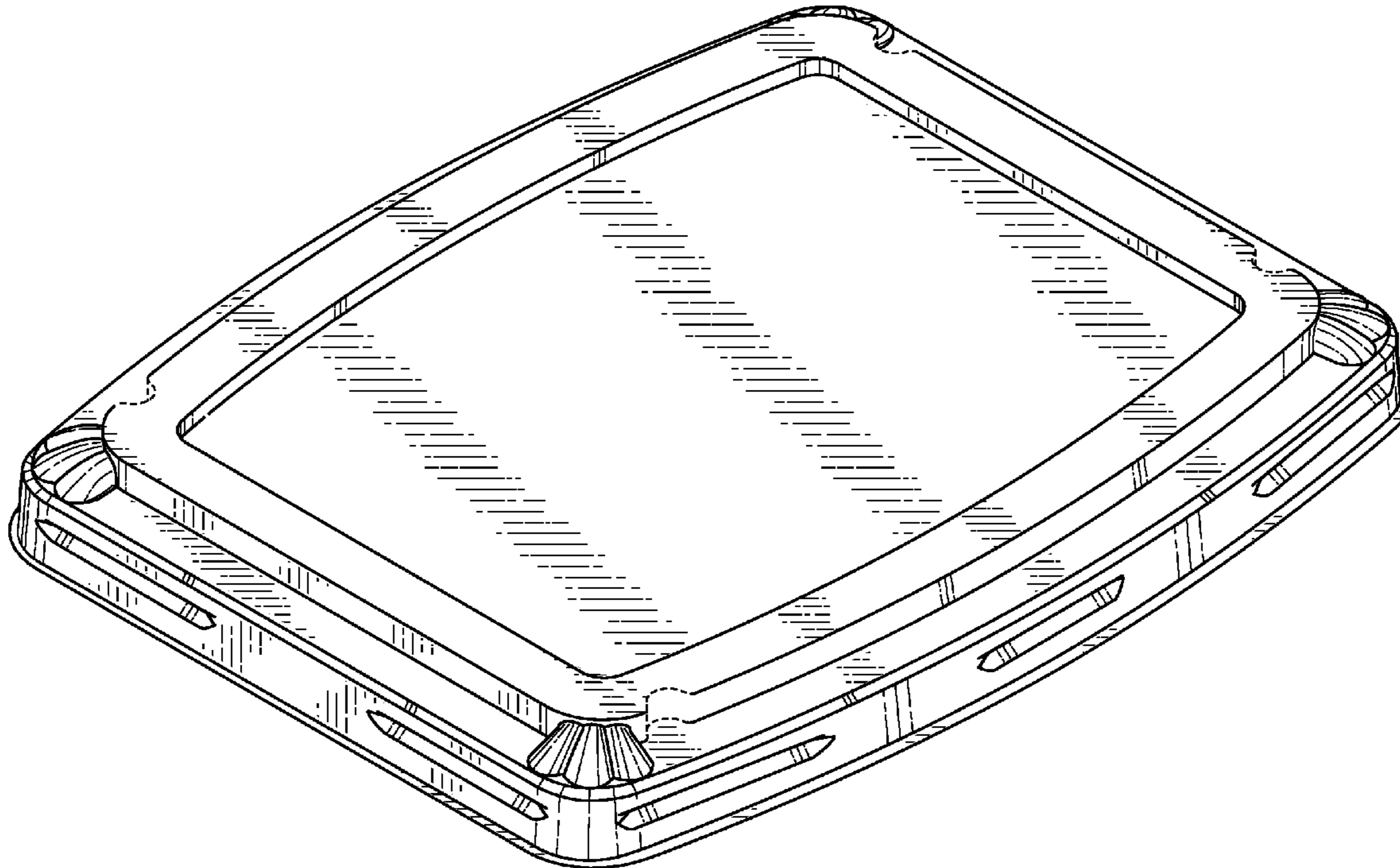
(57) **CLAIM**

An ornamental design for a lid, as shown and described.

DESCRIPTION

FIG. 1 is a bottom perspective view of the lid;
FIG. 2 is a top perspective view of the lid;
FIG. 3 is a top view of the lid;
FIG. 4 is a bottom view of the lid;
FIG. 5 is a front side view of the lid;
FIG. 6 is a back side view of the lid;
FIG. 7 is a left side view of the lid; and,
FIG. 8 is a right side view of the lid.

1 Claim, 6 Drawing Sheets



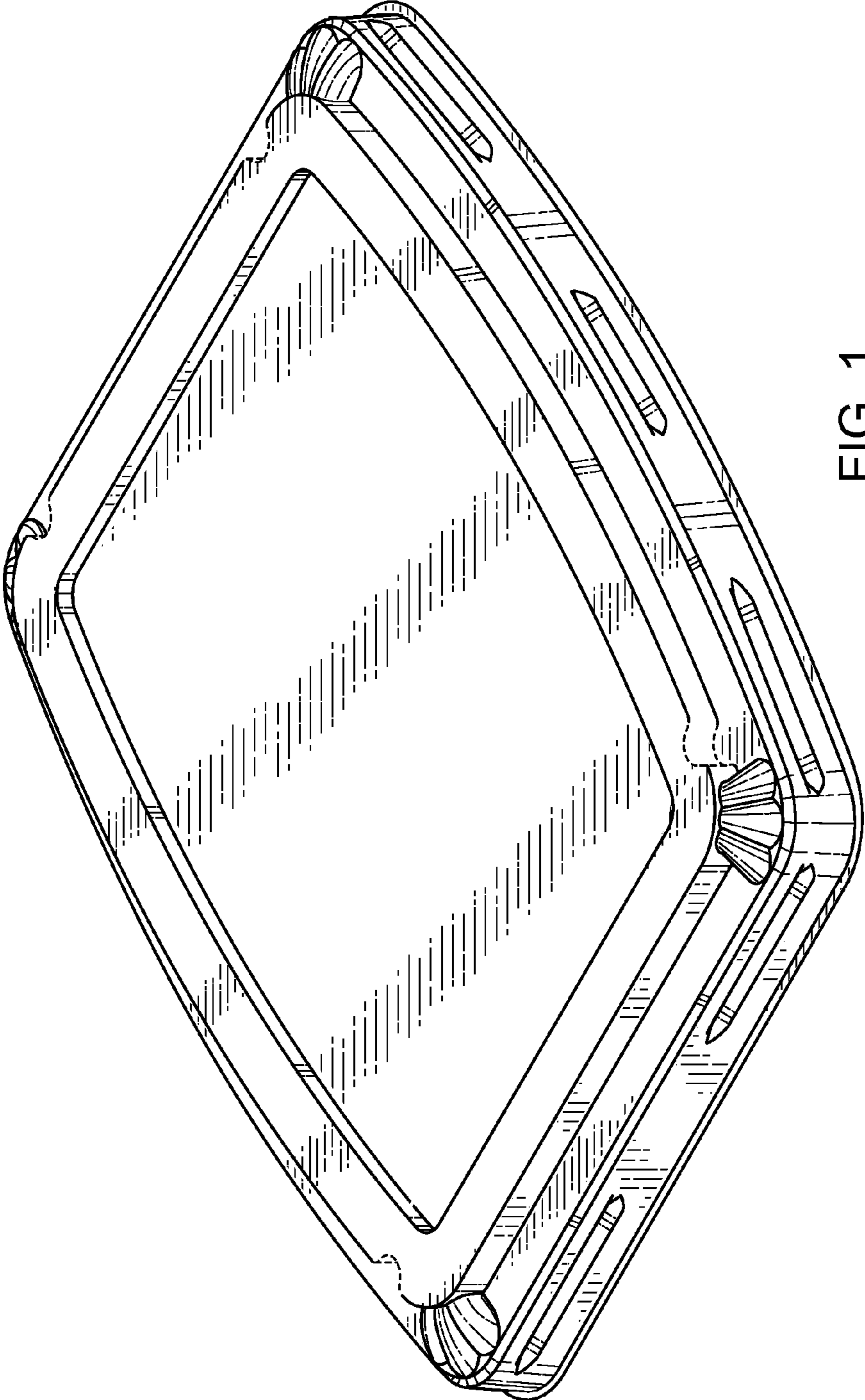


FIG. 1

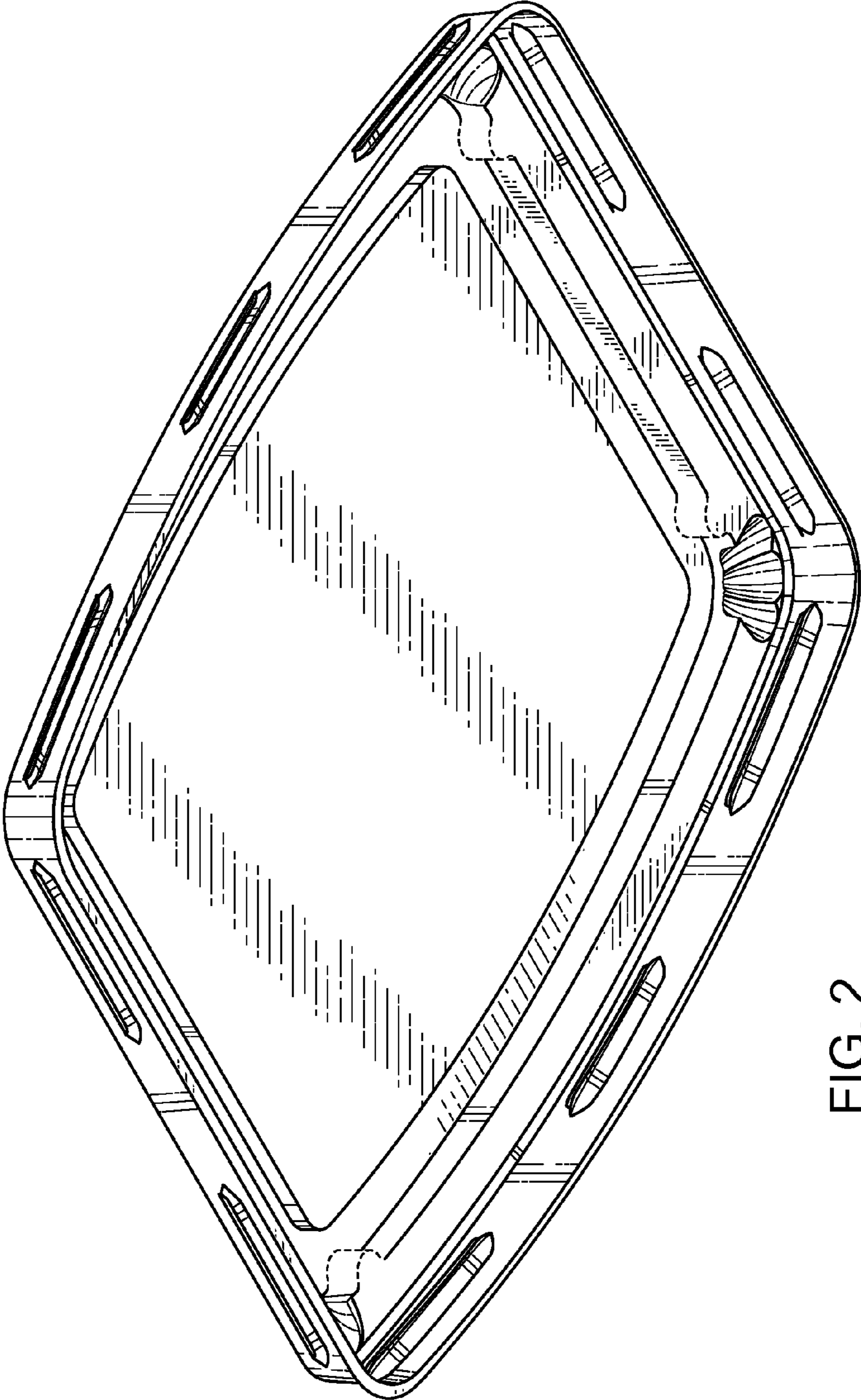


FIG. 2

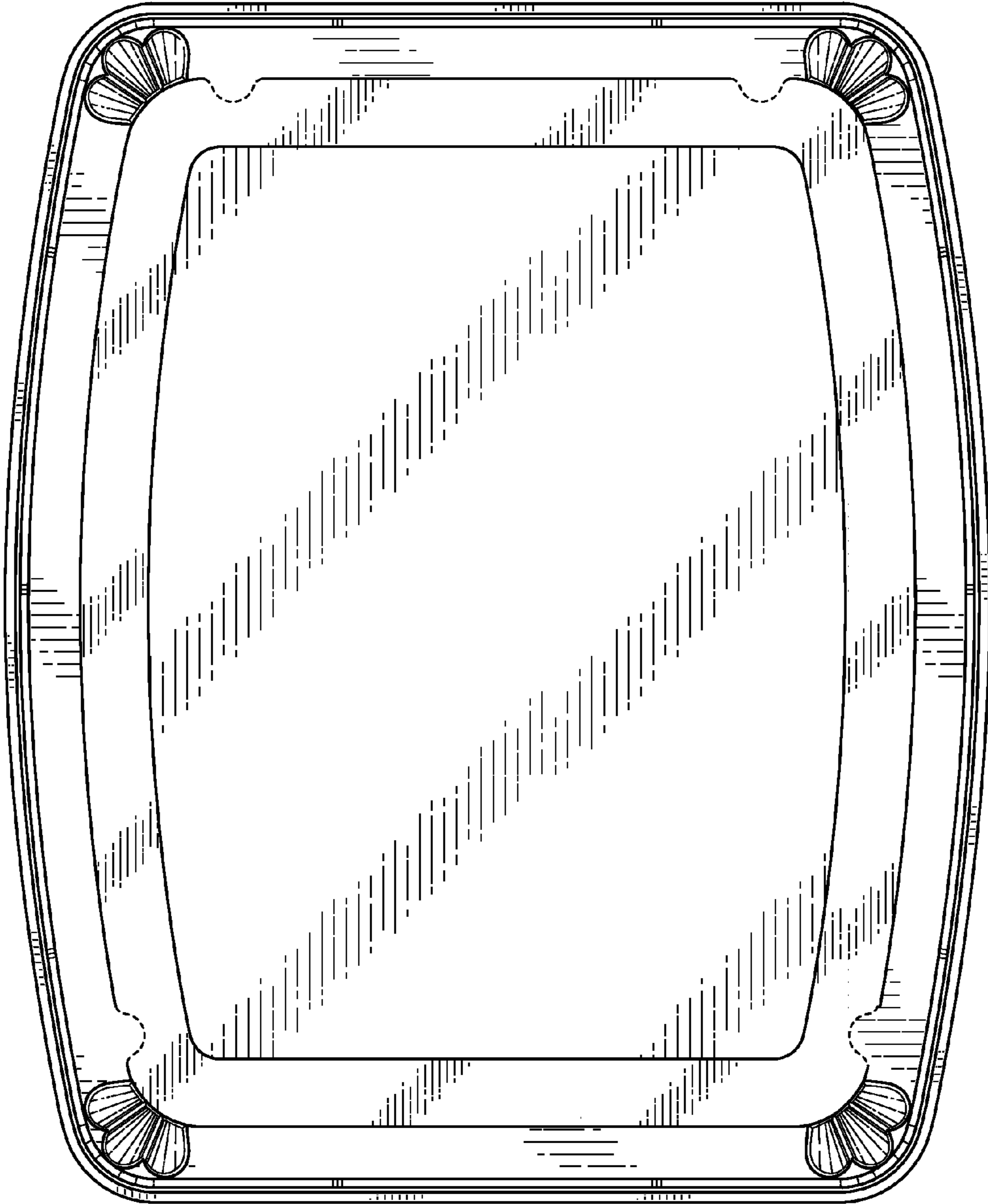


FIG. 3

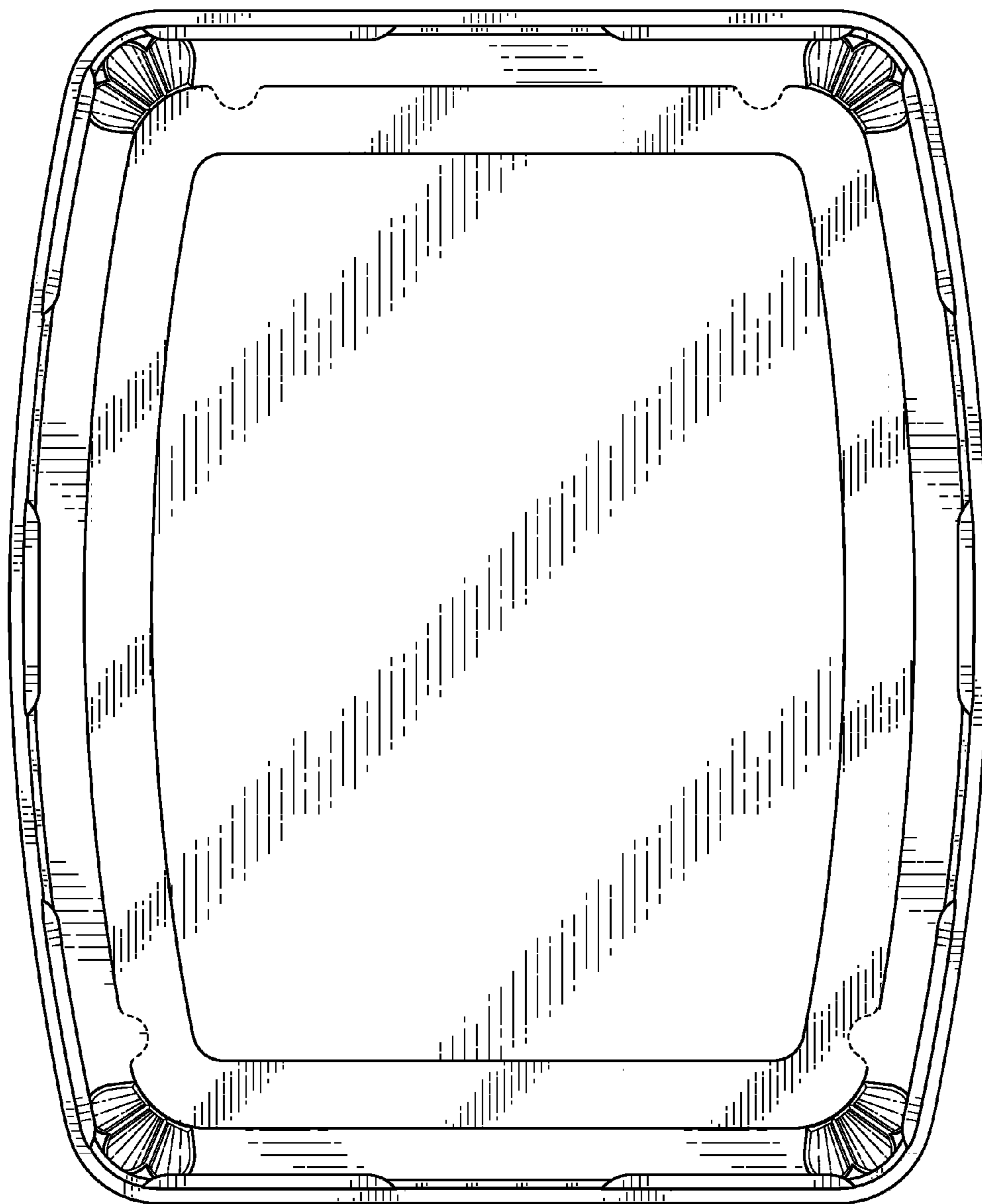


FIG. 4

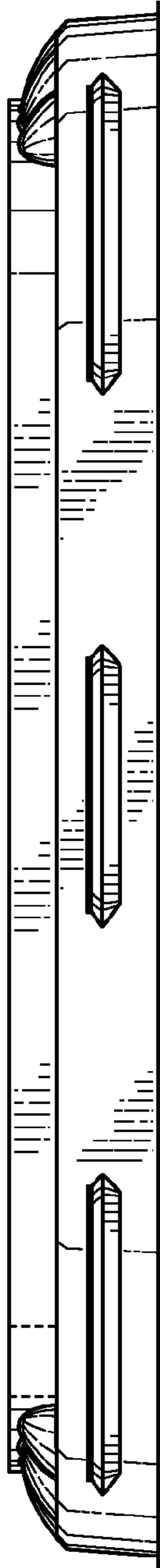


FIG. 5

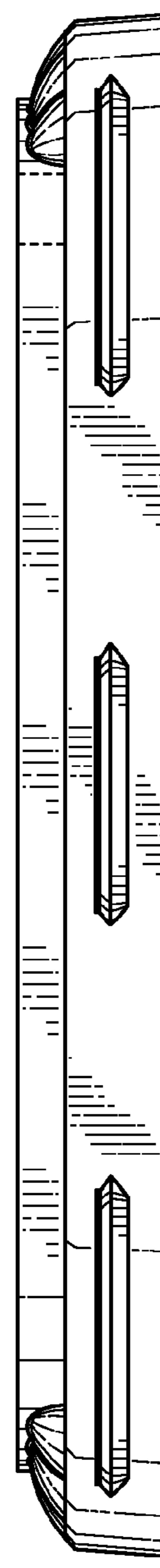


FIG. 6

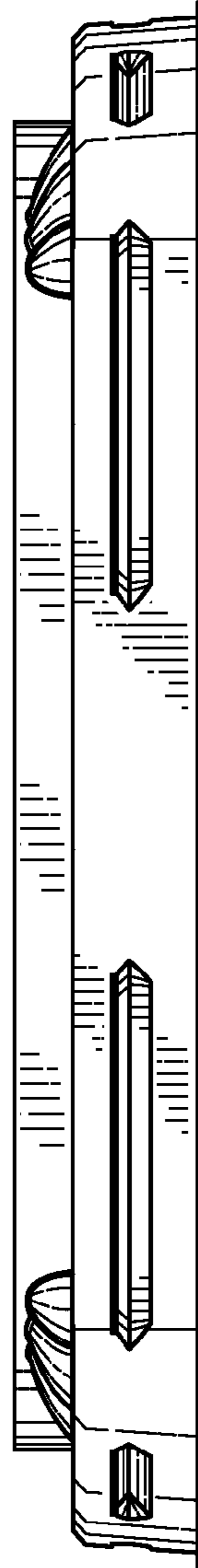


FIG. 7

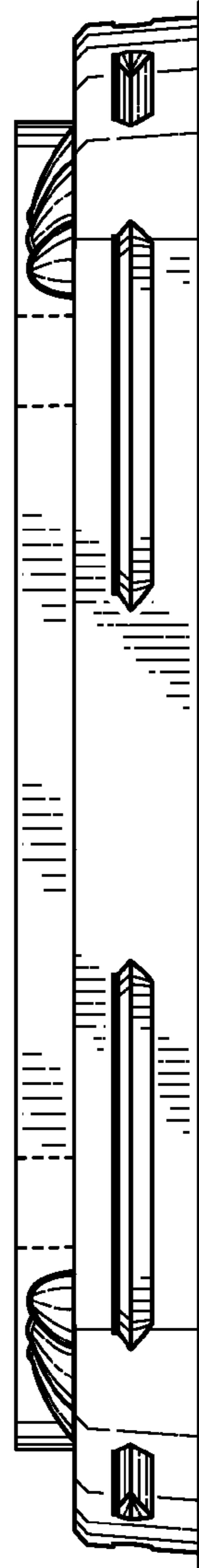


FIG. 8