



US00D685635S

(12) **United States Design Patent**  
**Glass et al.**

(10) **Patent No.:** **US D685,635 S**  
(45) **Date of Patent:** **\*\* Jul. 9, 2013**

(54) **EXTENDABLE CARD HOLDER**

(75) Inventors: **Brett R. Glass**, Overland Park, KS (US);  
**Nicole E. Glass**, Overland Park, KS (US)

(73) Assignee: **Gift Card Impressions, LLC**, Kansas  
City, MO (US)

(\*\*) Term: **14 Years**

(21) Appl. No.: **29/400,676**

(22) Filed: **Aug. 31, 2011**

(51) **LOC (9) Cl.** ..... **09-03**

(52) **U.S. Cl.**  
USPC ..... **D9/433; D9/415**

(58) **Field of Classification Search**  
USPC .... D9/430-433, 414, 415, 420, 499; 206/1.5,  
206/223, 527, 784; D3/247, 249; 229/100,  
229/124, 126, 800, 125.37; 220/62, 836,  
220/837, 890; D19/4, 6, 9-10; D20/23, 29,  
D20/40

See application file for complete search history.

(56) **References Cited**

U.S. PATENT DOCUMENTS

D251,122 S *	2/1979	Roig	.....	D19/28
D478,510 S *	8/2003	Kumakura	.....	D9/457
D553,675 S *	10/2007	Hogg	.....	D19/9
D558,825 S *	1/2008	Masters	.....	D19/4
D593,151 S *	5/2009	Hammad	.....	D19/10
D597,596 S *	8/2009	Masters	.....	D19/4
D601,622 S *	10/2009	Masters	.....	D19/4
D615,585 S *	5/2010	Skinner et al.	.....	D19/10
D652,866 S *	1/2012	Sawadogo	.....	D19/4

\* cited by examiner

*Primary Examiner* — Susan Bennett Hattan

*Assistant Examiner* — Vy Koenig

(74) *Attorney, Agent, or Firm* — Polsinelli PC

(57) **CLAIM**

The ornamental design for an extendable card holder, as shown and described.

**DESCRIPTION**

FIG. 1 is a top plan view of a extendable card holder according to the present invention;

FIG. 2 is a left elevational view of the extendable card holder shown in FIG. 1;

FIG. 3 is a front elevational view thereof;

FIG. 4 is a right elevational view thereof;

FIG. 5 is a bottom plan view thereof;

FIG. 6 is a left elevational view thereof;

FIG. 7 is a front elevational view thereof;

FIG. 8 is a right elevational view thereof;

FIG. 9 is a front perspective view of the extendable card holder showing the insert in a retracted position;

FIG. 10 is a front perspective view of the extendable card holder showing the insert in an extended position;

FIG. 11 is a front elevational environmental view of the extendable card holder showing the gift card holder mounted on a rear card backer panel;

FIG. 12 is a perspective environmental view of the extendable card holder showing the card holder mounted on a front card backer panel;

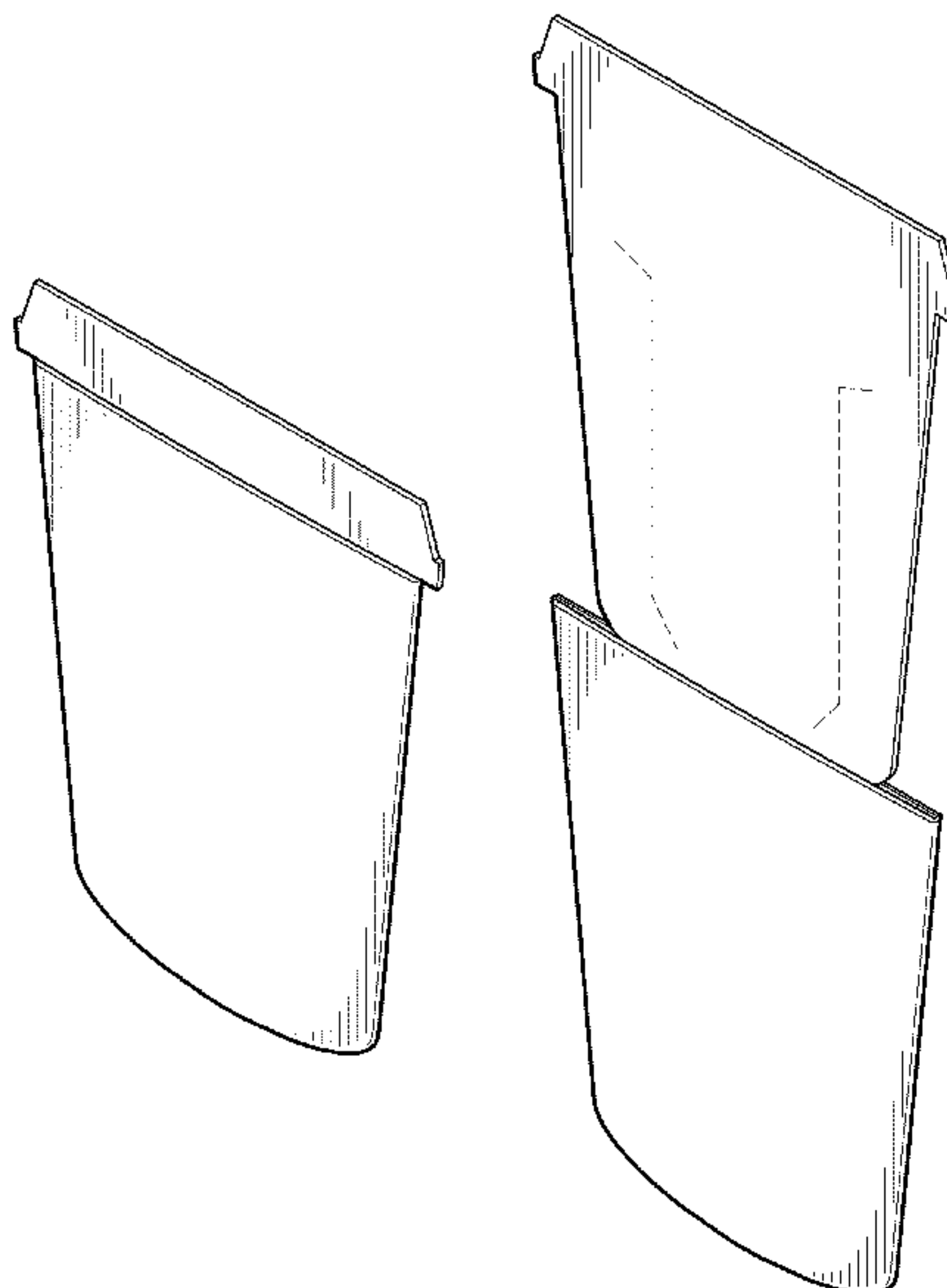
FIG. 13 is a front elevational environmental view of the extendable card holder showing the card holder mounted on a rear card backer panel;

FIG. 14 is a front elevational environmental view of the extendable card holder showing the card holder mounted on a rear card backer panel; and,

FIG. 15 is a front elevational environmental view of the extendable card holder showing the card holder mounted on a rear card backer panel.

The broken lines in the drawings depict environmental subject matter and form no part of the claimed design.

**1 Claim, 5 Drawing Sheets**

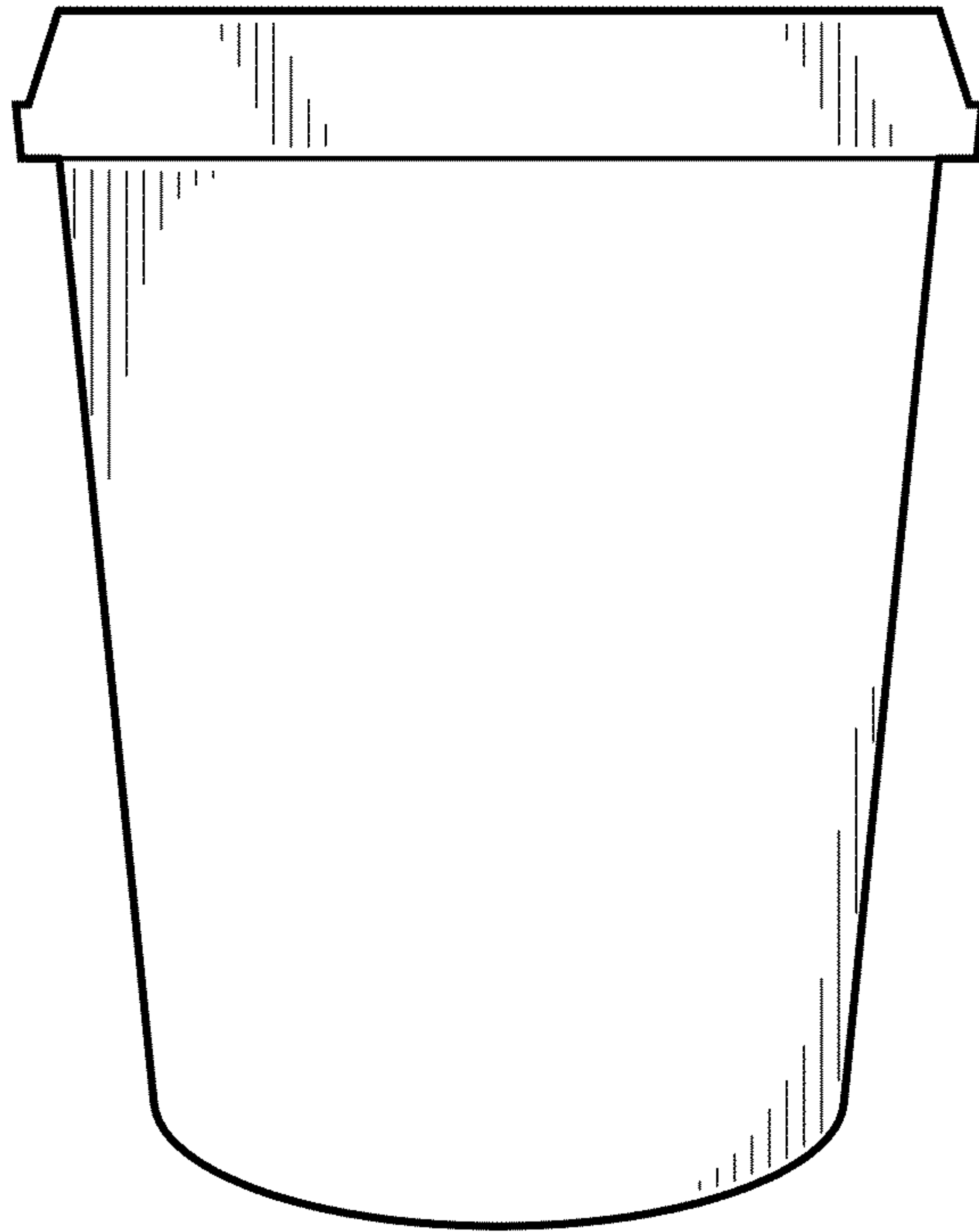




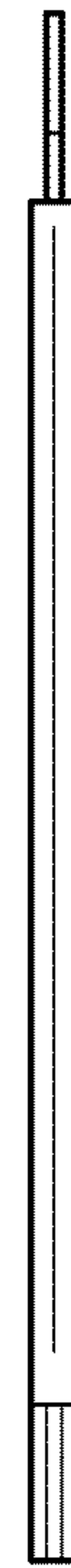
*Fig. 1*



*Fig. 2*



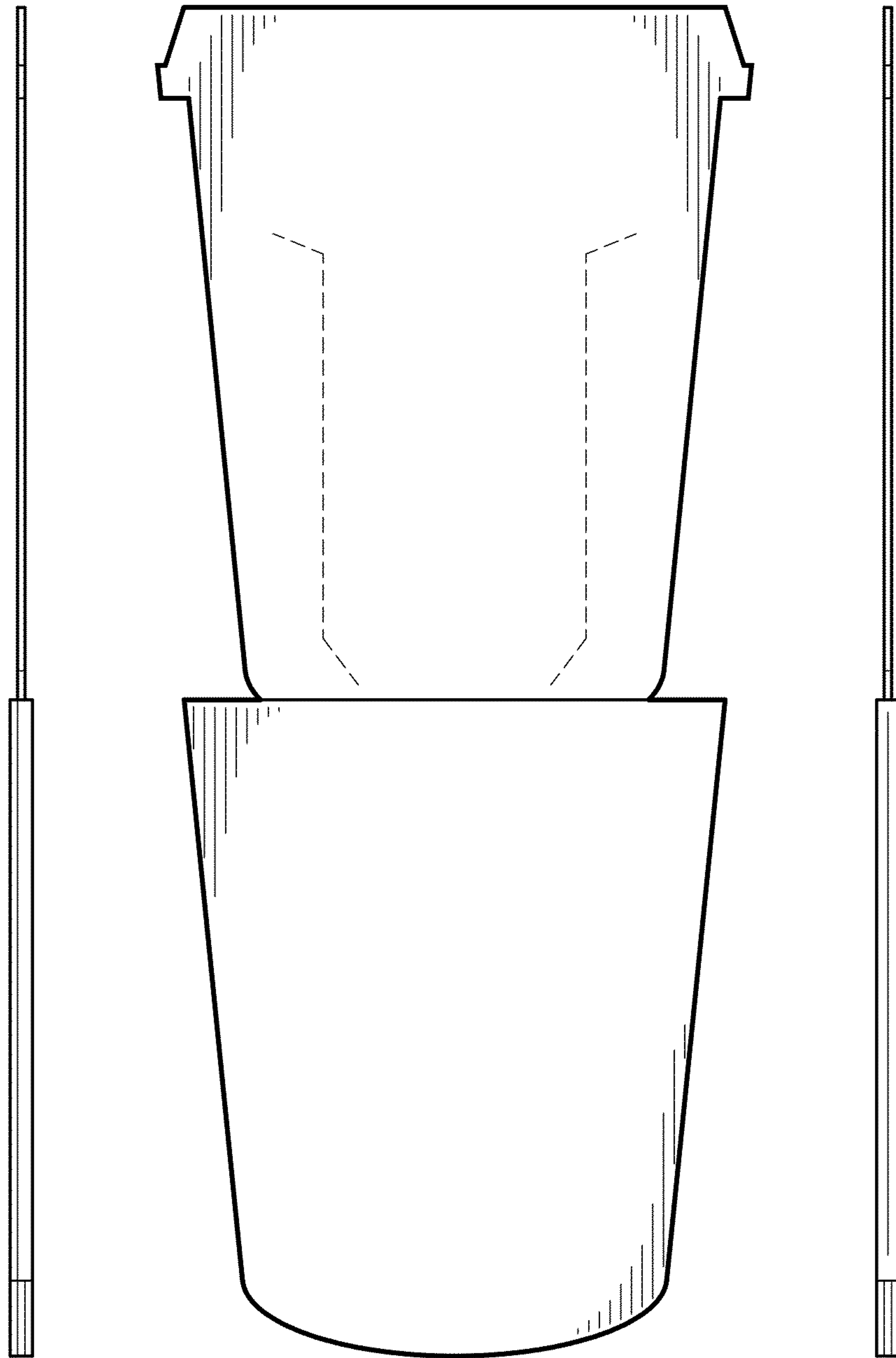
*Fig. 3*



*Fig. 4*



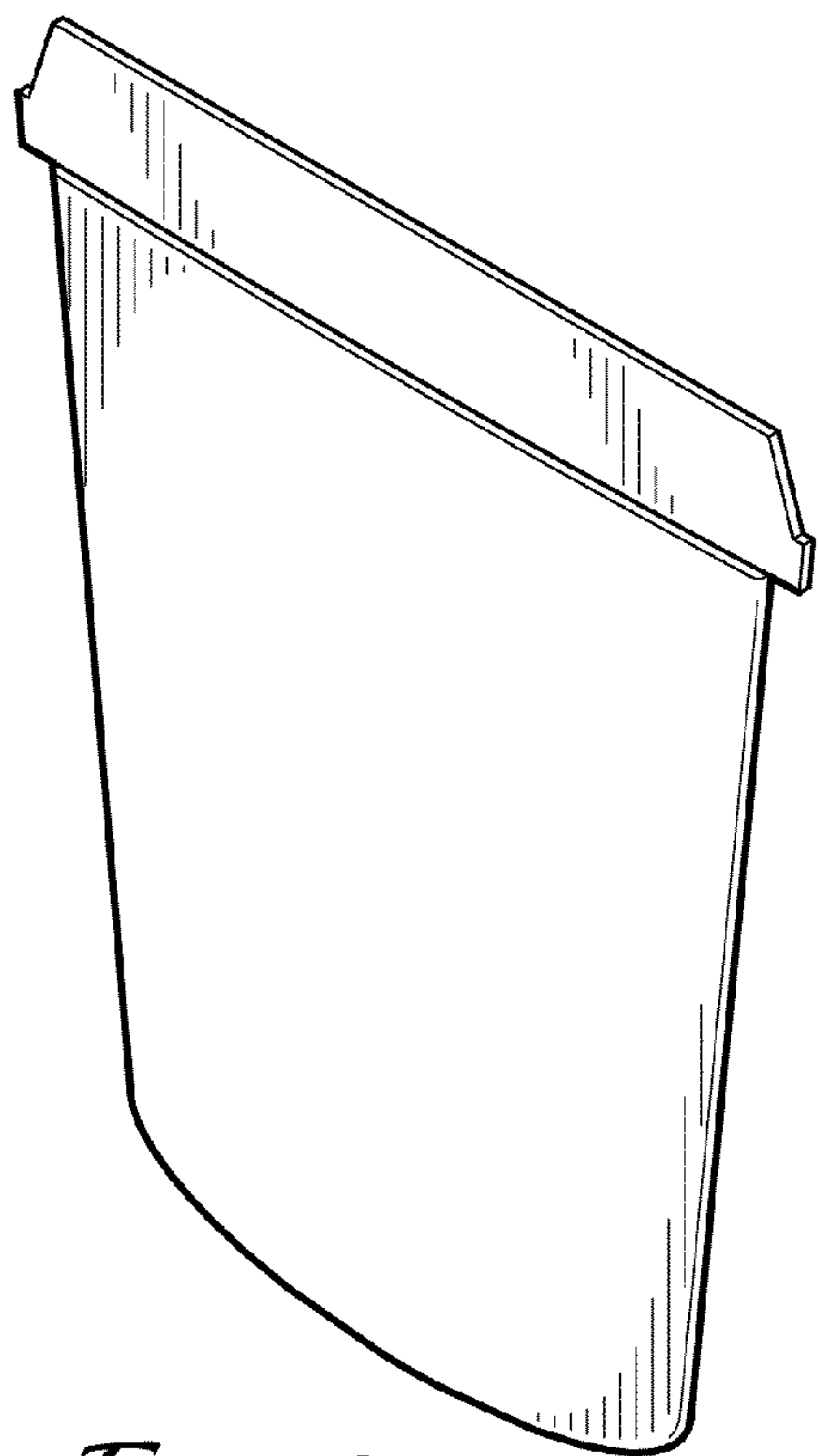
*Fig. 5*



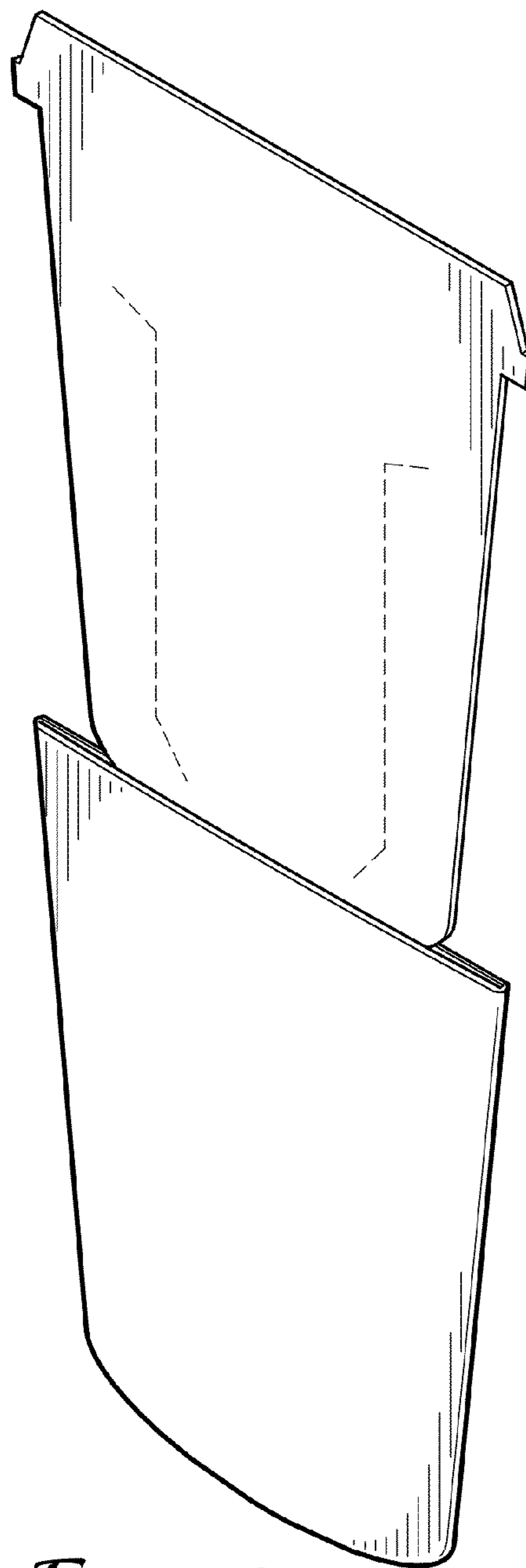
*Fig. 6*

*Fig. 7*

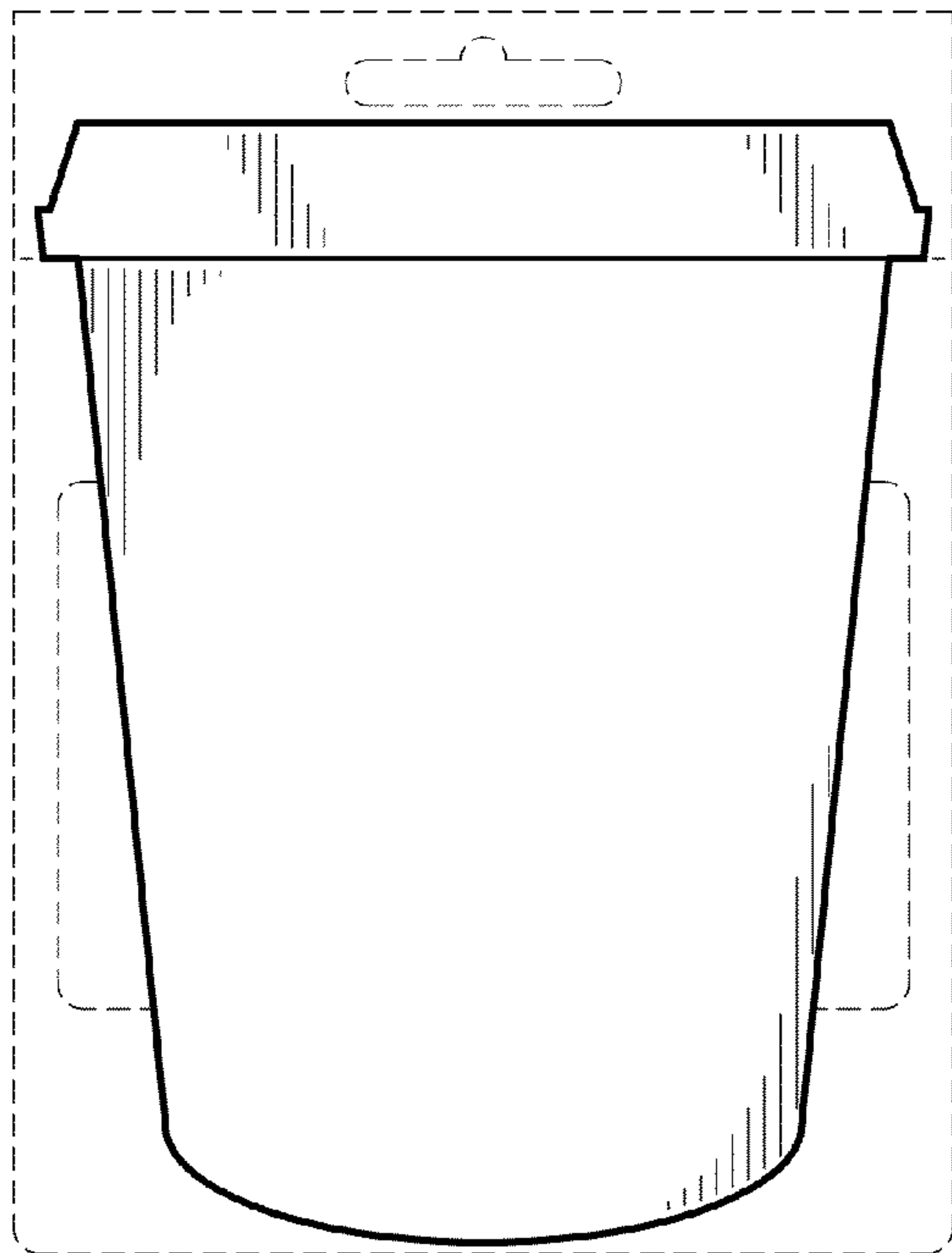
*Fig. 8*



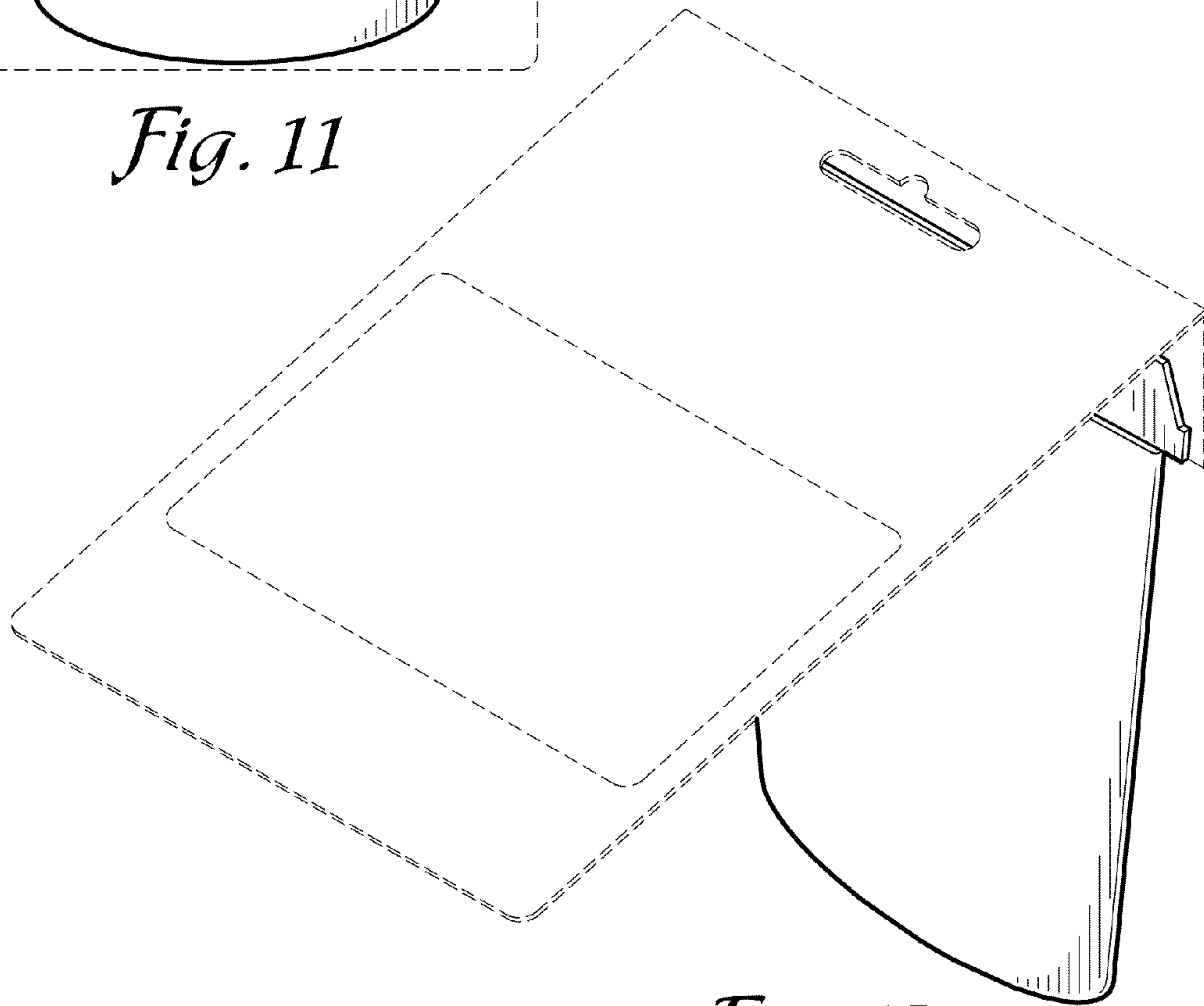
*Fig. 9*



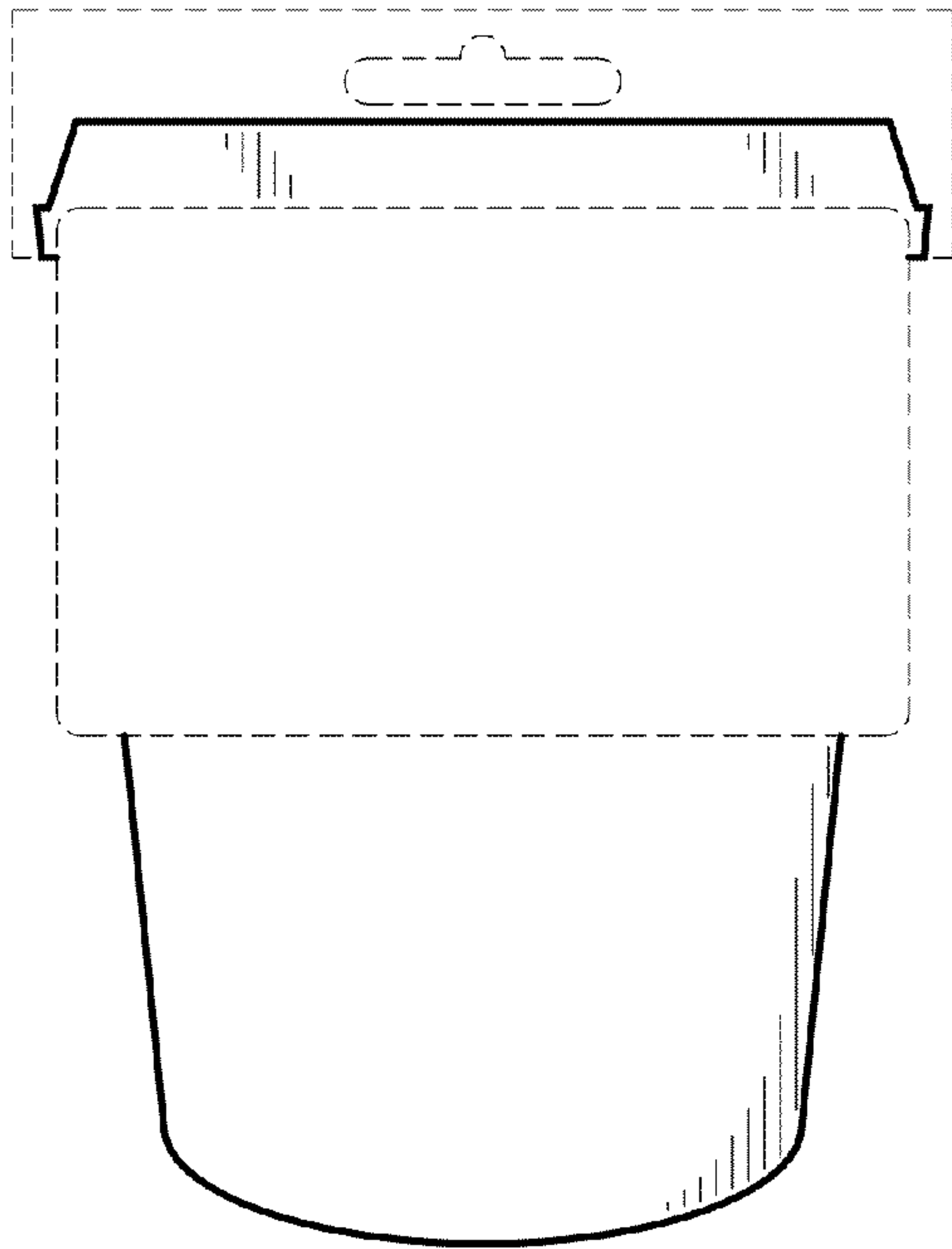
*Fig. 10*



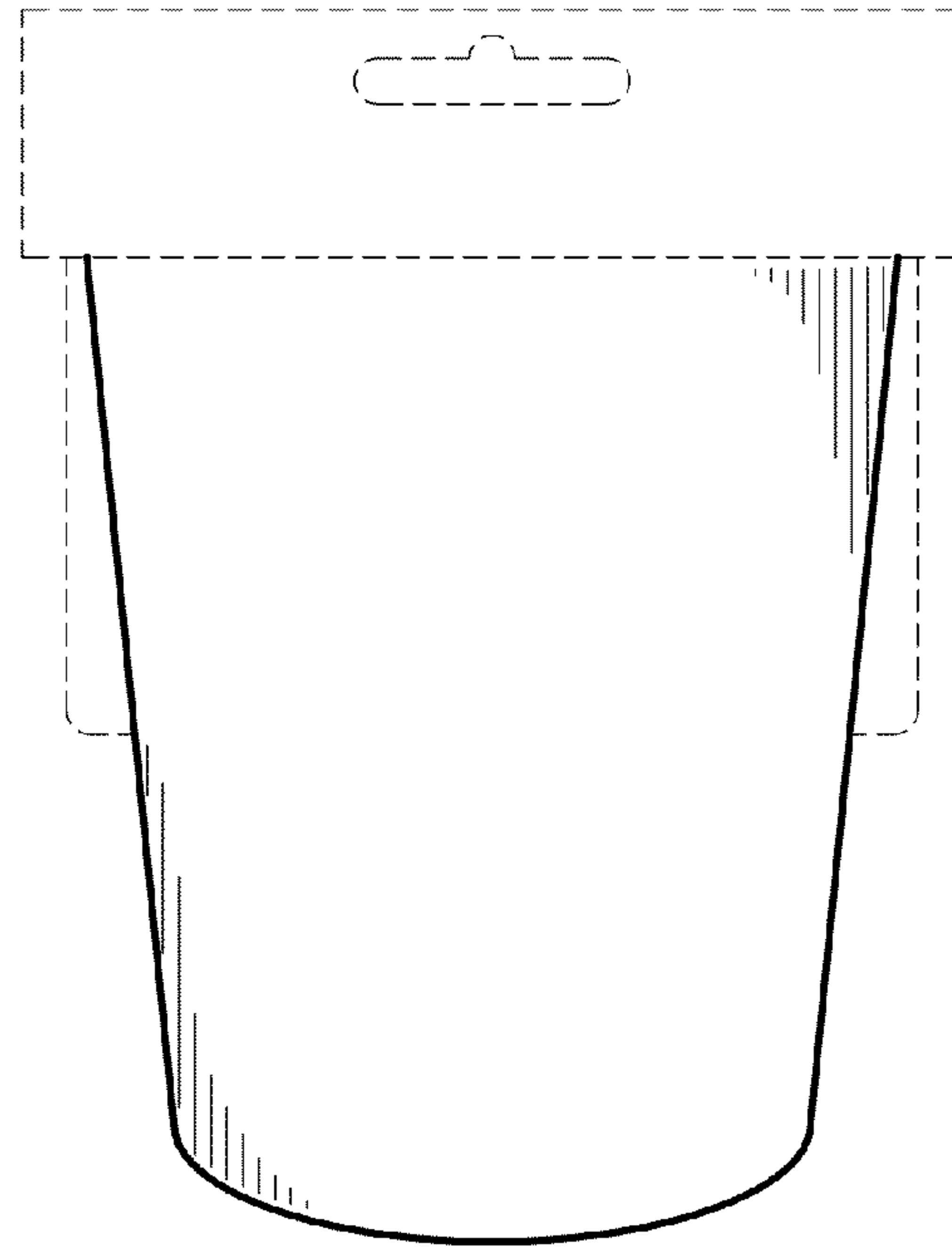
*Fig. 11*



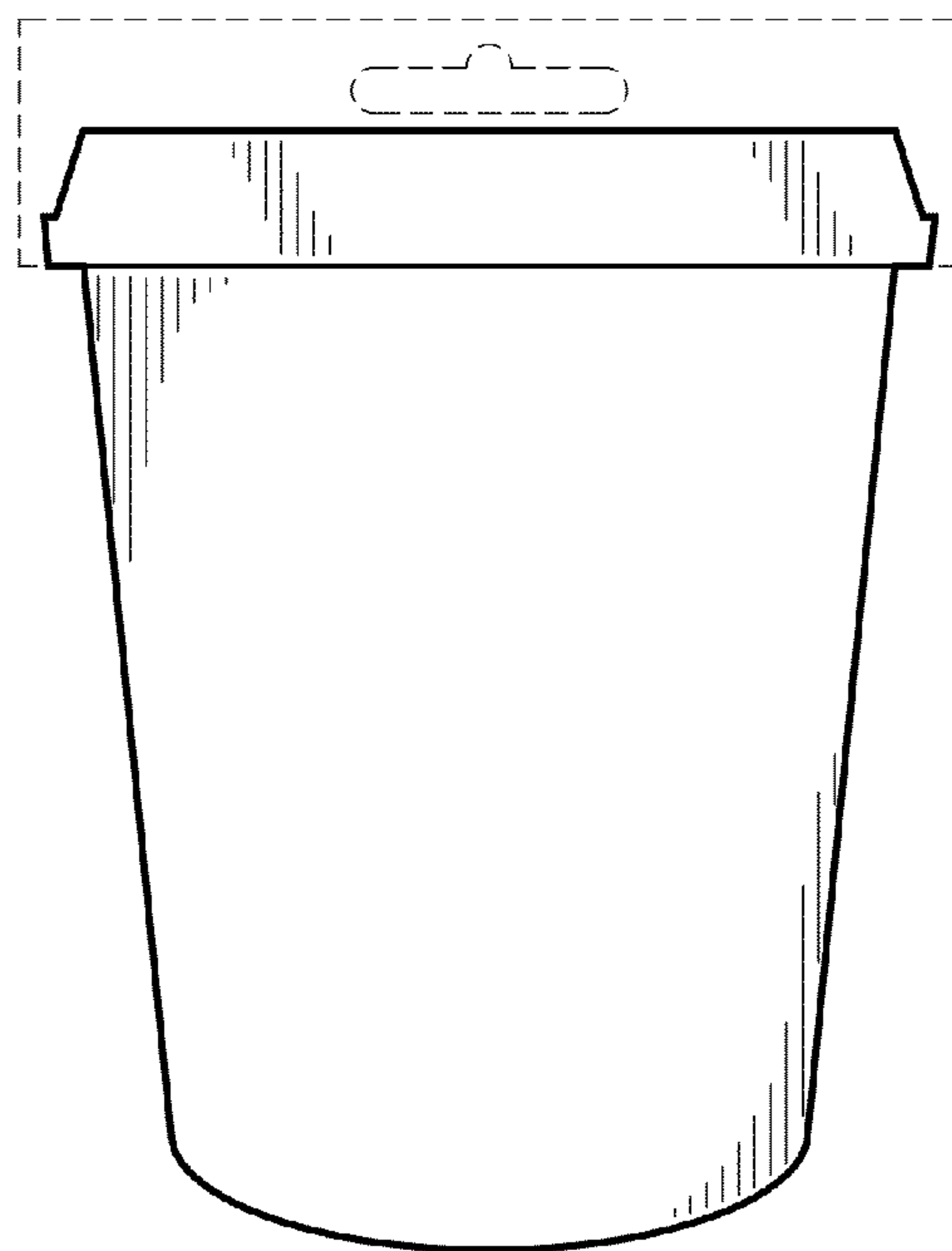
*Fig. 12*



*Fig. 13*



*Fig. 14*



*Fig. 15*