



US00D685632S

(12) **United States Design Patent**
Bakker et al.

(10) **Patent No.:** **US D685,632 S**

(45) **Date of Patent:** **** Jul. 9, 2013**

(54) **CARTON WITH FINGER SCOOP**
(75) Inventors: **Karl Anton Bakker**, San Francisco, CA (US); **Joselito (Jay) T. Crespo**, Burlingame, CA (US); **Jeffrey A. Henderson**, San Jose, CA (US); **Paul Grady Russell**, Campbell, CA (US)

(73) Assignee: **Amazon Technologies, Inc.**, Reno, NV (US)

(**) Term: **14 Years**

(21) Appl. No.: **29/393,185**

(22) Filed: **May 31, 2011**

(51) **LOC (9) Cl.** **09-03**

(52) **U.S. Cl.**
USPC **D9/431**; D9/432

(58) **Field of Classification Search**
USPC D9/414, 416, 418, 420-424, 430-433;
D3/272, 273, 302; 206/267, 269, 270, 273,
206/299, 737, 740, 822; 229/100, 101, 101.3,
229/106, 108-122
See application file for complete search history.

(56) **References Cited**

U.S. PATENT DOCUMENTS

2,283,950	A *	5/1942	Ringler	229/170
3,246,829	A	4/1966	Sexton		
3,371,843	A *	3/1968	Hailey	229/167
D211,715	S *	7/1968	Adell	D9/418
D214,160	S *	5/1969	Beck	D9/420
3,520,466	A	7/1970	Vokes		
3,767,188	A	10/1973	Rosenberg, Jr. et al.		
3,905,543	A *	9/1975	Randles	229/161
3,981,431	A *	9/1976	Matsuyama	229/145
D261,110	S *	10/1981	Yoshimoto	D9/432
D352,897	S	11/1994	Jackson		
D370,843	S *	6/1996	Lluch	D9/414
D469,692	S *	2/2003	Meeker et al.	D9/432

D482,915	S *	12/2003	Yang et al.	D6/515
D501,136	S *	1/2005	Shurman	D9/422
D501,401	S *	2/2005	Shurman	D9/422
D542,647	S *	5/2007	Walter	D9/414
D576,873	S *	9/2008	Kim	D9/418
D621,703	S *	8/2010	Hageman	D9/432
2002/0148887	A1	10/2002	Auclair		
2003/0164317	A1	9/2003	Fujiwara		

OTHER PUBLICATIONS

Box contents. [online] Retrieved Mar. 14, 2013 from URL: <www.flickr.com/photos/teyk/6348863735/in/photostream/>.*

(Continued)

Primary Examiner — Susan Bennett Hattan

Assistant Examiner — Vy Koenig

(74) *Attorney, Agent, or Firm* — Lee & Hayes, PLLC

(57) **CLAIM**

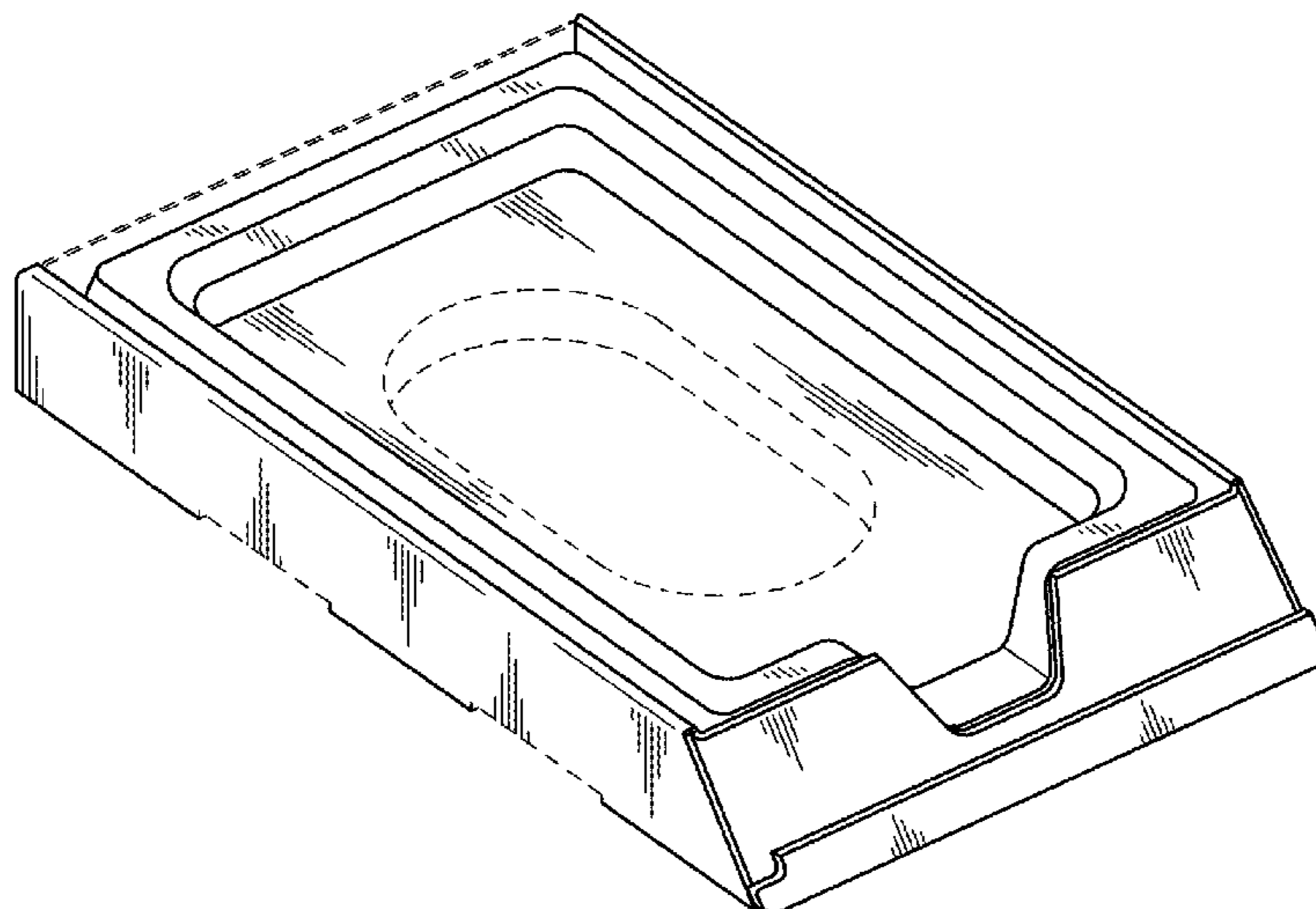
The ornamental design for a carton with finger scoop, as shown and described.

DESCRIPTION

FIG. 1 is a perspective view of a carton with finger scoop; FIG. 2 is a top plan view of the carton with finger scoop of FIG. 1; FIG. 3 is a back elevation view of the carton with finger scoop of FIG. 1; FIG. 4 is a bottom plan view of the carton with finger scoop of FIG. 1; FIG. 5 is a front elevation view of the carton with finger scoop of FIG. 1; FIG. 6 is a left side elevation view of the carton with finger scoop of FIG. 1; and, FIG. 7 is a right side elevation view of the carton with finger scoop of FIG. 1.

The broken lines are directed to unclaimed portions and form no part of the claimed design.

1 Claim, 4 Drawing Sheets



OTHER PUBLICATIONS

U.S. Appl. No. 29/393,187, filed May 31, 2011, Bakker et al.,
"Chamfered Carton," 5 pages.

U.S. Appl. No. 29/396,425, filed Jun. 29, 2011, Bakker et al.,
"Chamfered Box With Finger Scoop," 7 pages.

U.S. Appl. No. 29/396,432, filed Jun. 29, 2011, Bakker et al.,
"Chamfered Box," 8 pages.

www.buy.com, Aurora Crocodile Collection Letter Tray Paperboard
Pink, retrived at <<<http://www.buy.com/prod/aurora-crocodile-col->

lection-letter-tray-leather-paperboard-pink/216675513.html [Oct.
15, 2012 9:11:46 AM], on Oct 15, 2012, p. 1.

www.officedepot.com, "See Jane Work Paperboard Letter Tray",
retrived at <<[http://www.officedepot.com/a/products/672619/See-](http://www.officedepot.com/a/products/672619/See-Jane-Work-Paperboard-Letter-Tray/search)
Jane-Work-Paperboard-Letter-Tray/search RMS [Oct. 15, 2012
9:07:52 AM], p. 1.

* cited by examiner

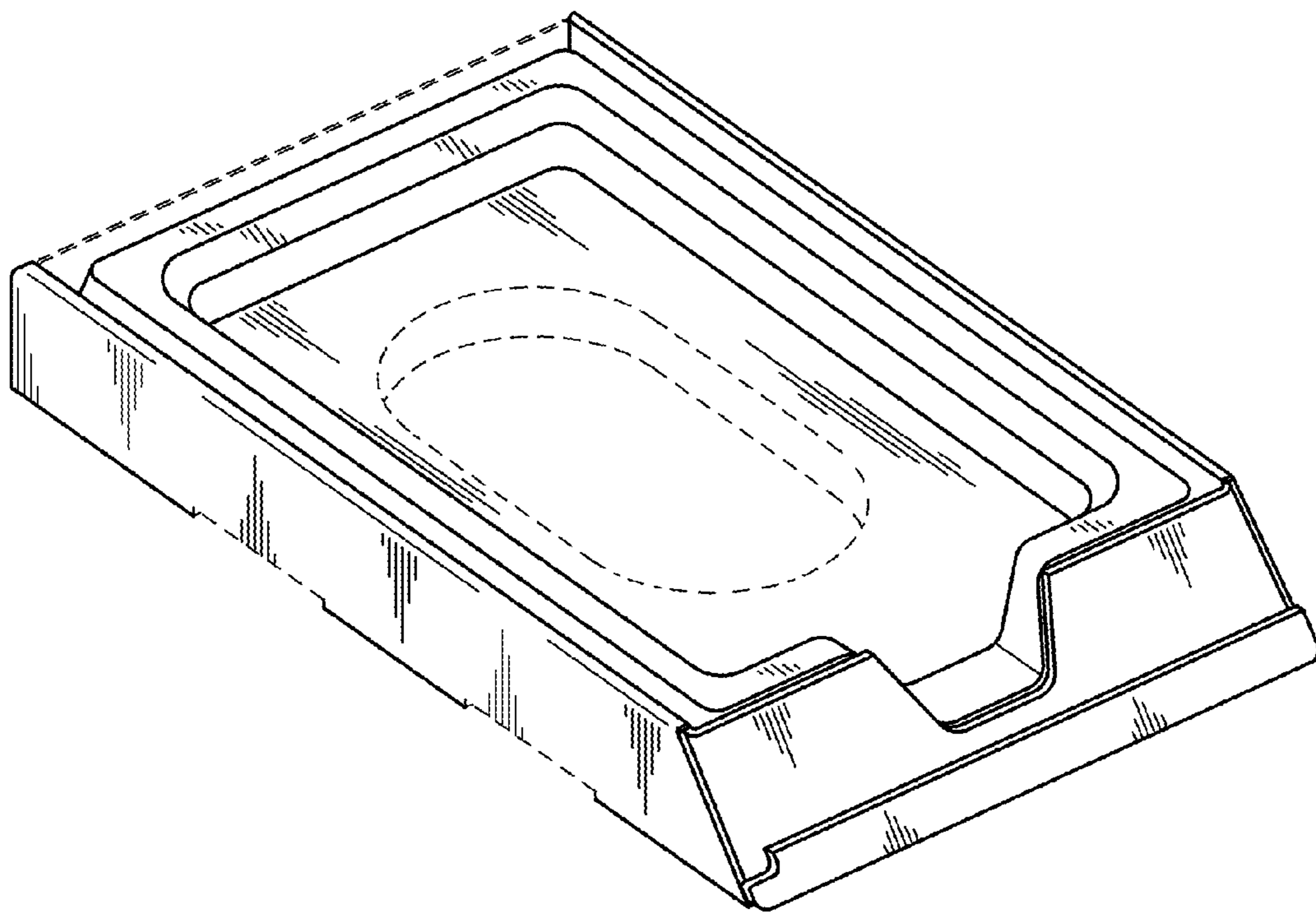


FIG. 1

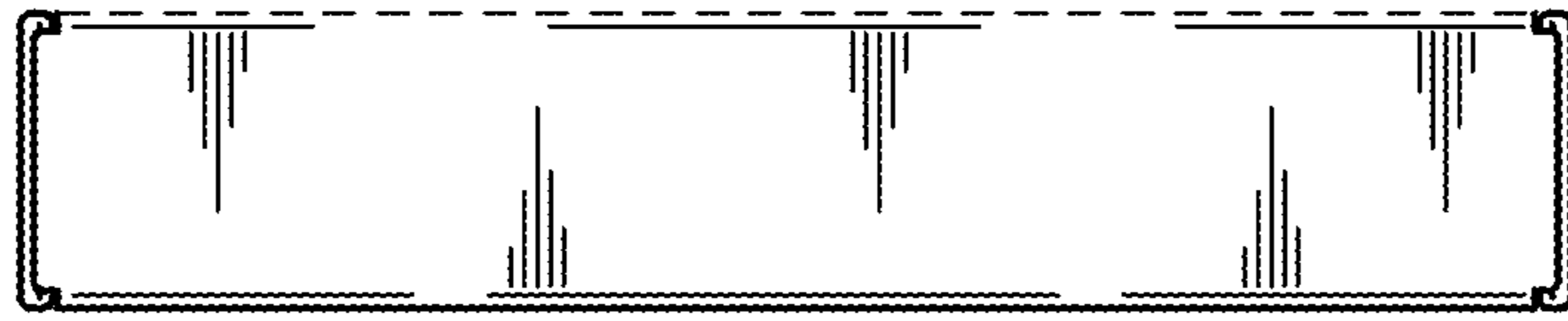


FIG. 3

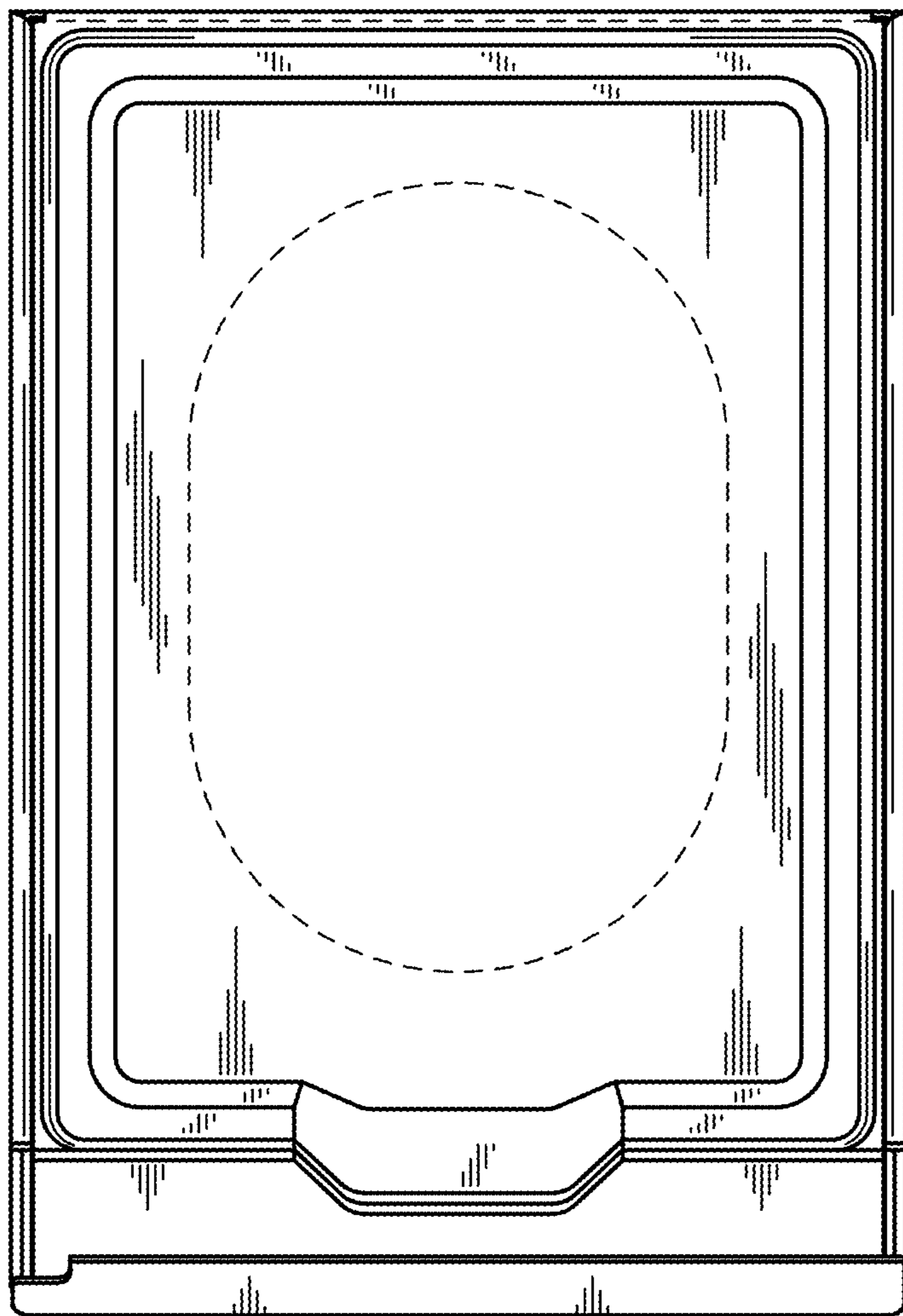


FIG. 2

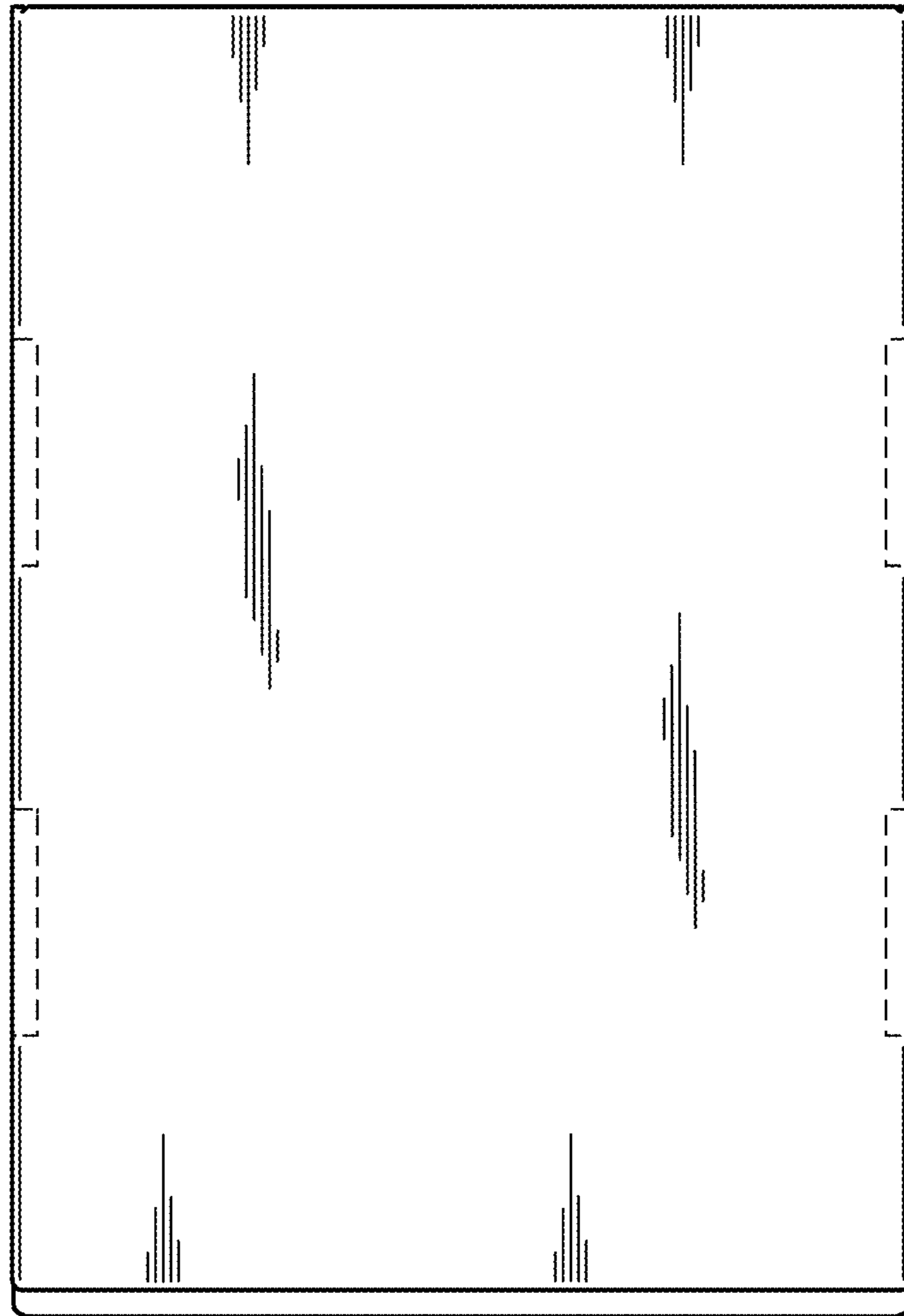


FIG. 4



FIG. 5

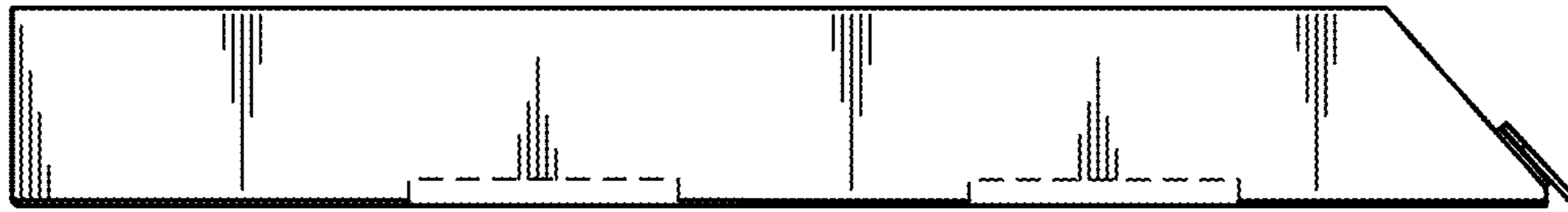


FIG. 6

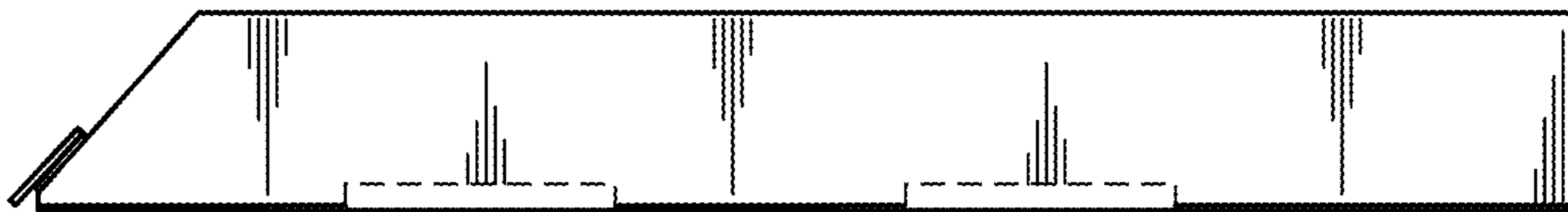


FIG. 7