



US00D685630S

(12) **United States Design Patent**
Birchmeier et al.

(10) **Patent No.:** **US D685,630 S**
(45) **Date of Patent:** **** Jul. 9, 2013**

(54) **BOWL**

(56)

References Cited

(71) Applicants: **Kathryn M. Birchmeier**, Glenview, IL
(US); **Seema Sundar**, Sun Valley, CA
(US)

(72) Inventors: **Kathryn M. Birchmeier**, Glenview, IL
(US); **Seema Sundar**, Sun Valley, CA
(US)

(73) Assignee: **Kraft Foods Group Brands LLC**,
Northfield, IL (US)

(**) Term: **14 Years**

(21) Appl. No.: **29/443,517**

(22) Filed: **Jan. 18, 2013**

U.S. PATENT DOCUMENTS

3,094,981	A *	6/1963	Brewer	126/263.05
3,360,153	A *	12/1967	Wheaton, Jr.	220/4.21
D226,723	S	4/1973	Mirow	
D232,065	S *	7/1974	Daenen	D7/629
D232,612	S	9/1974	Christia et al.	
D241,399	S *	9/1976	Christian	D7/540
D246,439	S	11/1977	Lynn et al.	
D248,076	S	6/1978	Christian	
D254,355	S	3/1980	Ottier	
D256,557	S *	8/1980	Ikushima et al.	D9/425
D266,977	S	11/1982	Jensen et al.	
D268,557	S	4/1983	Jensen et al.	
4,420,081	A	12/1983	Dart	
D273,842	S	5/1984	Jeannin	

(Continued)

FOREIGN PATENT DOCUMENTS

EP	0721894	7/1996
EP	1344724	9/2003

(Continued)

Related U.S. Application Data

(62) Division of application No. 29/403,421, filed on Oct. 5, 2011, now Pat. No. Des. 678,050.

(51) **LOC (9) Cl.** **09-03**

(52) **U.S. Cl.**
USPC **D9/425**

(58) **Field of Classification Search**
USPC D9/414, 419, 423, 424, 425, 430,
D9/431, 432, 761; D7/538, 549, 550.1, 552.1,
D7/554.3, 543, 542, 545, 586, 587, 360, 602,
D7/429, 566, 629; 206/499, 508, 557, 501;
220/23.4, 23.6, 315, 318, 500, 659, 669,
220/675, 696, 752, 760, 790, 793, 657; 229/105,
229/117.09, 117.26, 189, 406, 407, 902,
229/905, 915.1; D30/129

See application file for complete search history.

Primary Examiner — Derrick Holland

Assistant Examiner — Lauren Calve

(74) *Attorney, Agent, or Firm* — Fitch, Even, Tabin & Flannery LLP

(57)

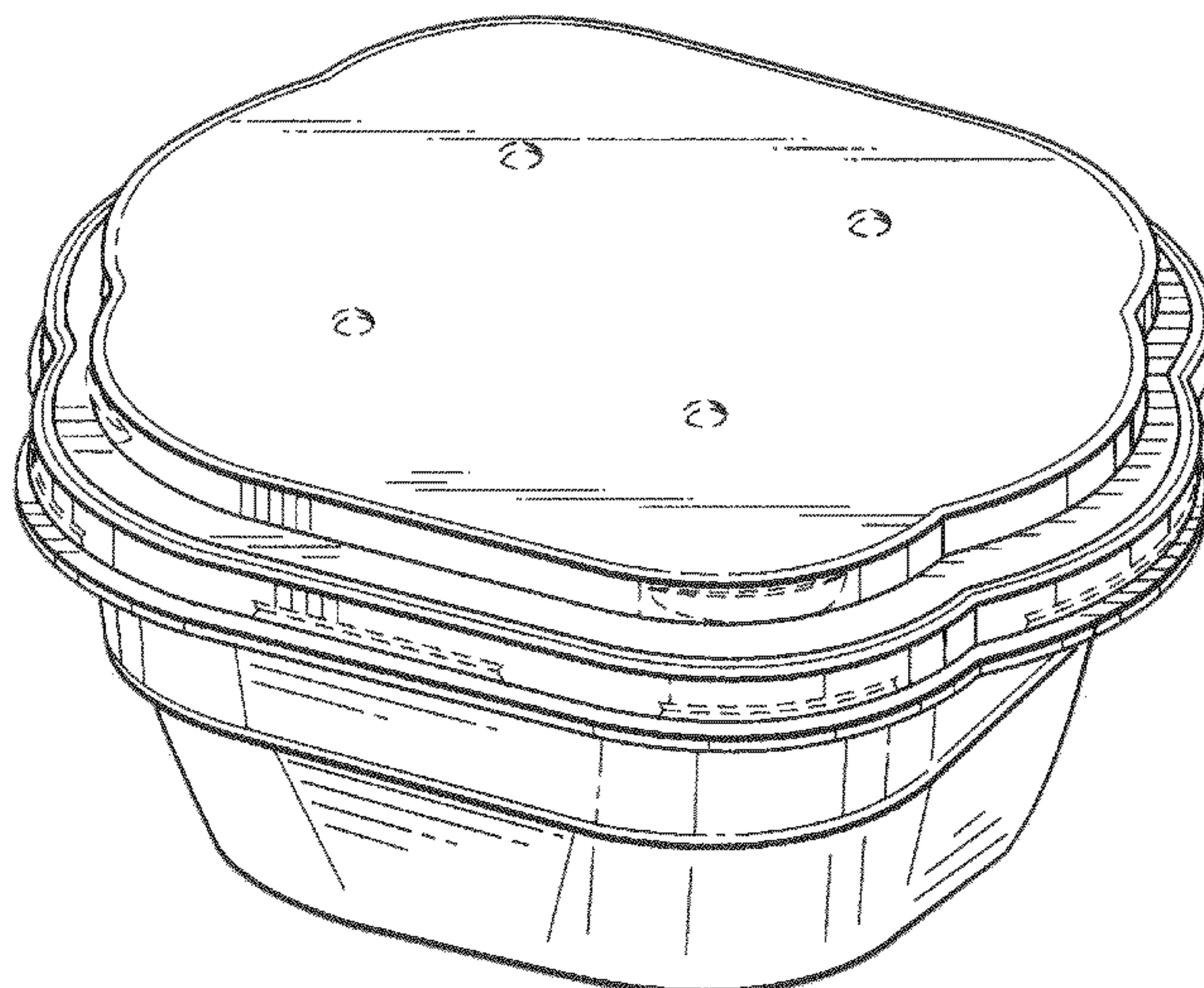
CLAIM

The ornamental design for a bowl, as shown and described.

DESCRIPTION

FIG. 1 is a perspective view of a bowl, showing our new design;
FIG. 2 is a front elevational view of the bowl of FIG. 1, the rear elevational view being identical;
FIG. 3 is top plan view of the bowl of FIG. 1;
FIG. 4 is a right side elevational view of the bowl of FIG. 1, the left side elevational view being identical; and,
FIG. 5 is a bottom plan view of the bowl of FIG. 1.
The broken lines shown represent unclaimed subject matter and form no part of the claimed design.

1 Claim, 3 Drawing Sheets



US D685,630 S

Page 2

U.S. PATENT DOCUMENTS

D276,114 S 10/1984 Conti et al.
D285,514 S 9/1986 Ritman
D287,559 S 1/1987 Daenen et al.
D288,050 S 2/1987 Fox et al.
D288,649 S 3/1987 Daenen et al.
D295,819 S 5/1988 Mercadante
D296,640 S 7/1988 Miller
4,809,868 A * 3/1989 Pomroy 220/260
D308,942 S 7/1990 Thundercliffe
D309,554 S * 7/1990 Meisner D7/629
4,939,332 A 7/1990 Hahn
D313,556 S 1/1991 Smith
5,083,699 A 1/1992 Bulcher
D329,572 S 9/1992 Krupa
D336,596 S * 6/1993 Osgood et al. D7/608
D338,807 S 8/1993 Conti
D343,338 S 1/1994 Bucher et al.
D349,005 S 7/1994 Cousins et al.
D349,213 S 8/1994 Cousins et al.
D351,765 S 10/1994 Beeler et al.
D363,662 S 10/1995 Plater
D364,998 S 12/1995 Held
5,565,228 A 10/1996 Gics
D388,325 S 12/1997 Tucker et al.
D391,440 S 3/1998 Cousins
D402,852 S 12/1998 Benson
D405,561 S 2/1999 Willinger et al.
D415,656 S 10/1999 Henry
D417,367 S 12/1999 Laib
D423,733 S 4/2000 Choi et al.
D431,420 S 10/2000 Susta
D431,421 S 10/2000 Liu
6,202,886 B1 3/2001 Schneider et al.
D441,597 S 5/2001 Wyche
D441,598 S 5/2001 Wyche
D442,425 S 5/2001 Wyche
D443,467 S 6/2001 Bradley
D445,632 S 7/2001 Bradley
D445,633 S 7/2001 Bradley
D450,538 S 11/2001 Benson
D452,417 S 12/2001 Whitmore et al.
D456,673 S 5/2002 Kerman
D457,784 S 5/2002 Torniainen et al.
D459,635 S 7/2002 Henry
D466,762 S 12/2002 Cote et al.
D470,018 S 2/2003 Claypool
D473,426 S 4/2003 Jalet et al.
D475,246 S 6/2003 Jorgensen
D475,579 S 6/2003 Jorgensen
D475,620 S 6/2003 Chen et al.
D476,195 S 6/2003 Wellner
D476,851 S 7/2003 Wuestman
D477,187 S 7/2003 McCallister et al.
D478,474 S 8/2003 Zettle
D478,475 S 8/2003 Backes et al.
D483,616 S 12/2003 Thonis
D483,617 S 12/2003 Watson
D483,618 S 12/2003 Watson
D484,363 S 12/2003 de Groote et al.
D484,745 S 1/2004 Watson
6,672,473 B2 1/2004 Torniainen et al.
D486,999 S 2/2004 de Groote et al.
D489,004 S 4/2004 Parman
D490,278 S 5/2004 Welsh
6,810,788 B2 11/2004 Hale
6,848,591 B2 2/2005 Kiel et al.

D505,590 S * 5/2005 Greiner et al. D7/409
D508,822 S 8/2005 Smith et al.
D512,631 S 12/2005 Lhoste et al.
D513,979 S 1/2006 Sneden et al.
D514,438 S 2/2006 Sneden et al.
D514,441 S 2/2006 Sneden et al.
D515,872 S 2/2006 Vendl et al.
D520,303 S 5/2006 Hayes et al.
D522,809 S 6/2006 Kusuma et al.
D535,153 S 1/2007 Eide et al.
D545,134 S 6/2007 Hayes et al.
D547,614 S 7/2007 Kell
D551,911 S 10/2007 Hayes et al.
D555,476 S 11/2007 Nielsen
D559,041 S 1/2008 Gartz et al.
D563,175 S 3/2008 Levien
D564,138 S 3/2008 Dunn et al.
7,347,327 B2 3/2008 Lobman et al.
D567,029 S 4/2008 Valderrama et al.
D567,591 S 4/2008 Weber
D568,109 S 5/2008 Weber
D571,156 S 6/2008 Gartz et al.
D572,979 S 7/2008 Delbaere
D575,114 S * 8/2008 Moghavem D7/629
D582,218 S * 12/2008 Curtin D7/629
D590,663 S 4/2009 Simon et al.
7,543,527 B2 6/2009 Schmed
D597,796 S 8/2009 Roth et al.
D599,623 S 9/2009 de Groote
D601,385 S 10/2009 Savage
D604,989 S 12/2009 Chen et al.
D607,279 S 1/2010 Hollis et al.
D609,530 S 2/2010 Hart et al.
D611,305 S 3/2010 Hart et al.
7,762,396 B1 7/2010 Yang et al.
D630,061 S 1/2011 Kellermann et al.
D631,296 S 1/2011 Green-Cotton et al.
D631,703 S 2/2011 Green-Cotton et al.
D632,135 S 2/2011 Green-Cotton et al.
D634,164 S 3/2011 Coursey
D635,402 S 4/2011 Shah
D636,229 S 4/2011 Koennecke
D636,230 S 4/2011 Koennecke
D642,905 S 8/2011 Samartgis
D642,906 S 8/2011 Samartgis
D642,907 S 8/2011 Samartgis
D643,710 S 8/2011 Samartgis
D643,711 S 8/2011 Samartgis
D643,712 S 8/2011 Samartgis
D644,883 S 9/2011 Samartgis
D651,470 S 1/2012 Henderson et al.
2005/0040068 A1 2/2005 Palder
2006/0054028 A1 3/2006 Goldstein De Pinchuk
2009/0179039 A1 7/2009 Cimmerer et al.
2012/0043326 A1 * 2/2012 Shiffer et al. 220/315

FOREIGN PATENT DOCUMENTS

EP 2327344 6/2011
JP 2011042377 3/2011
WO WO2006057013 6/2006
WO WO2007026384 3/2007
WO WO2007048261 3/2007
WO WO2010128161 11/2010
WO WO2010135765 12/2010

* cited by examiner

FIG. 1

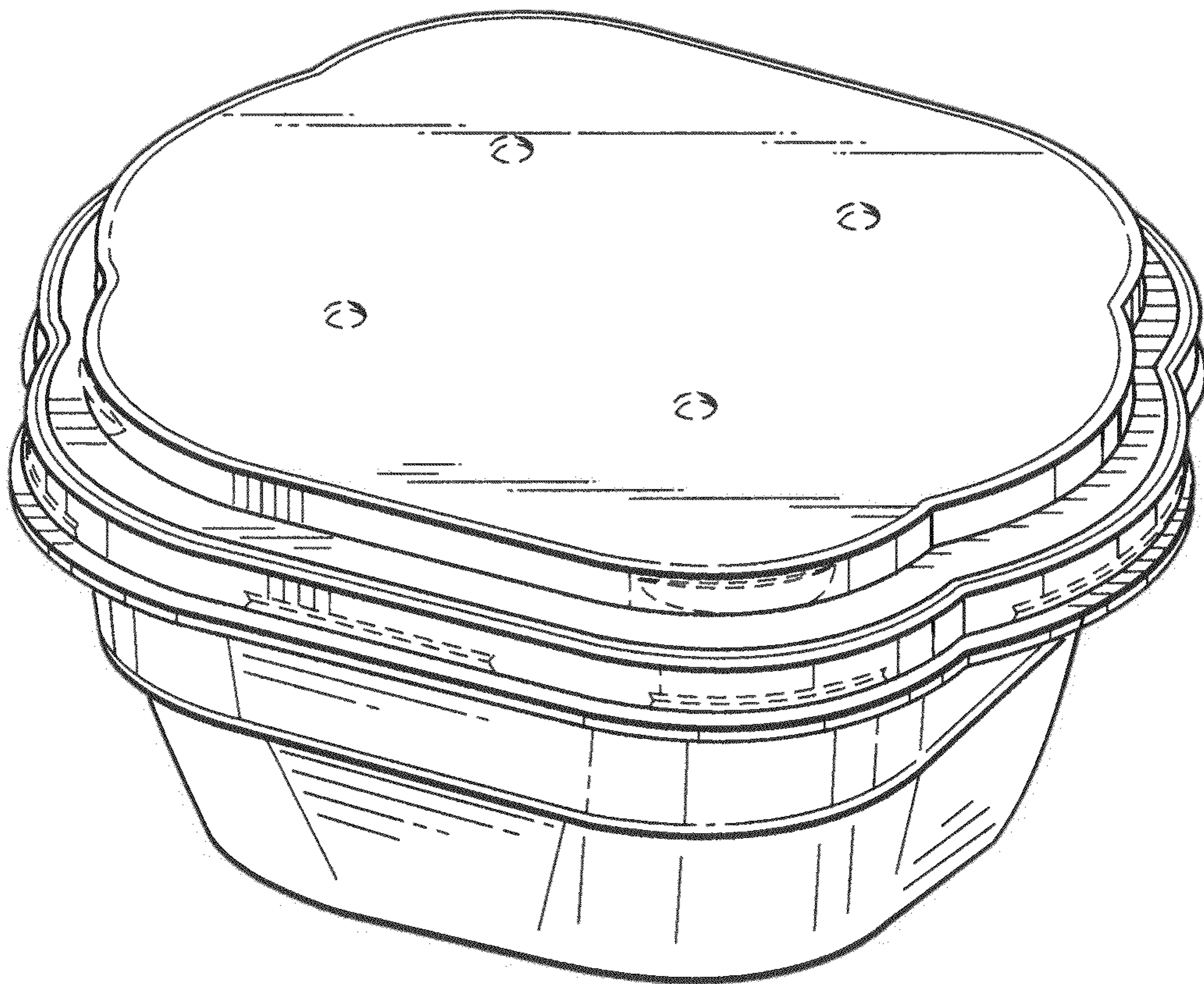


FIG. 2

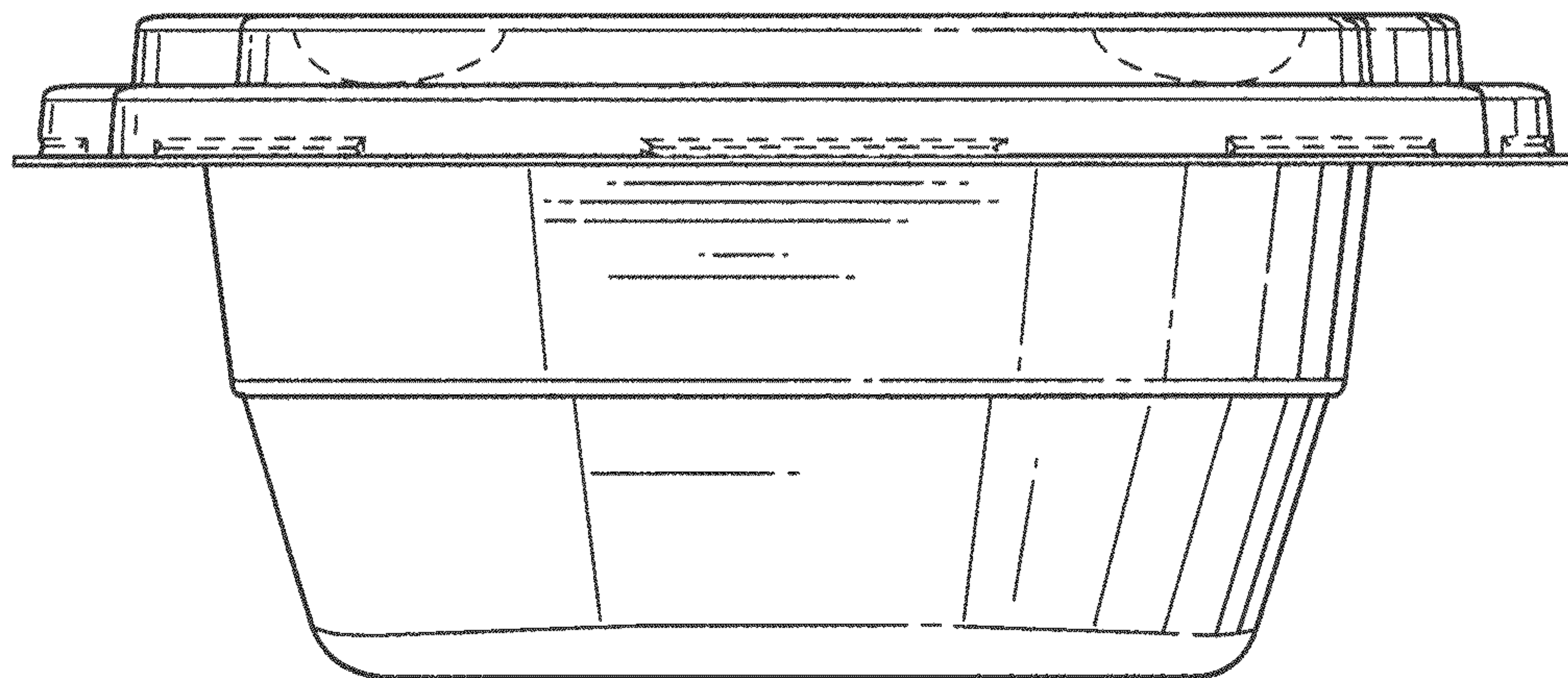


FIG. 3

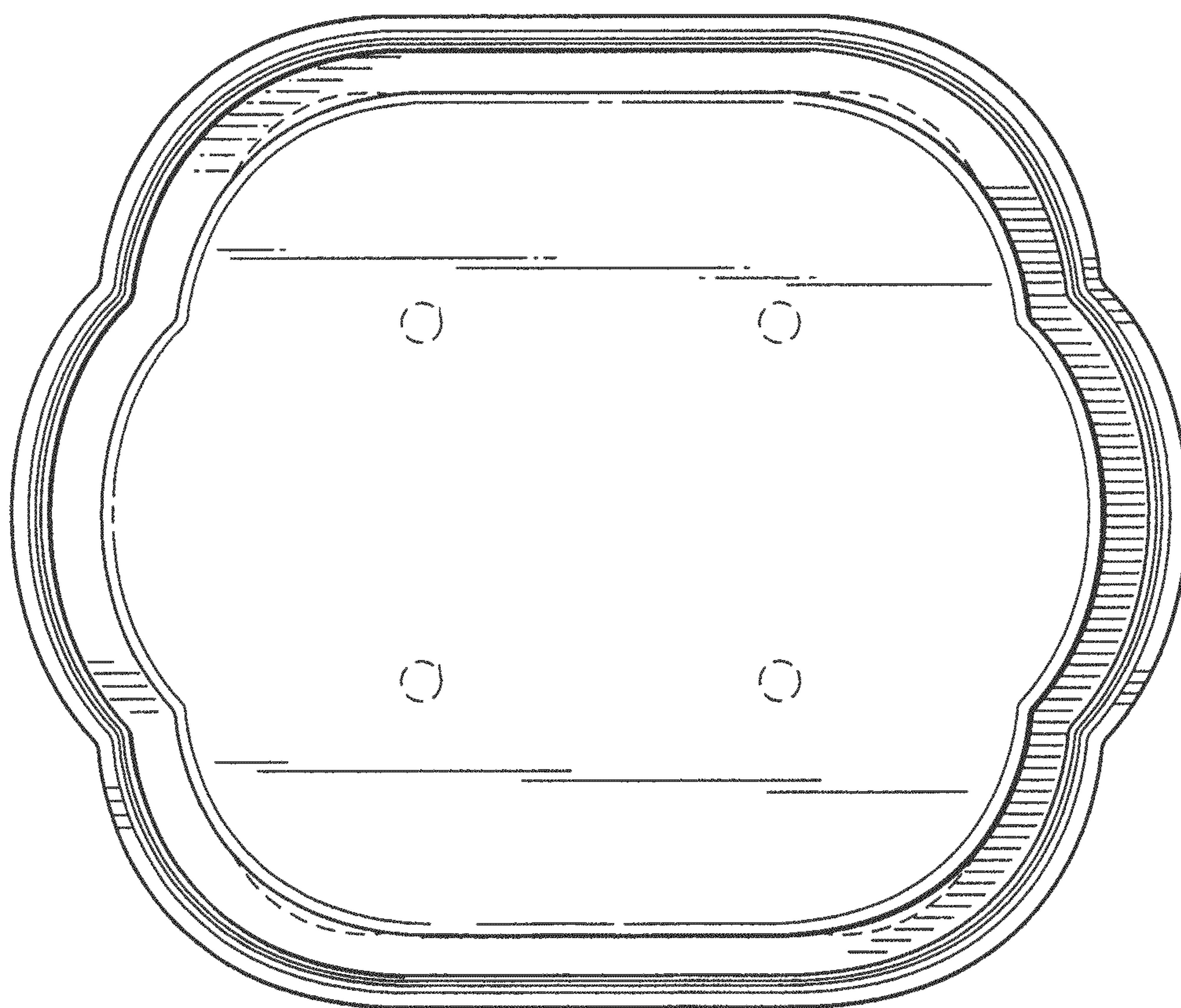


FIG. 4

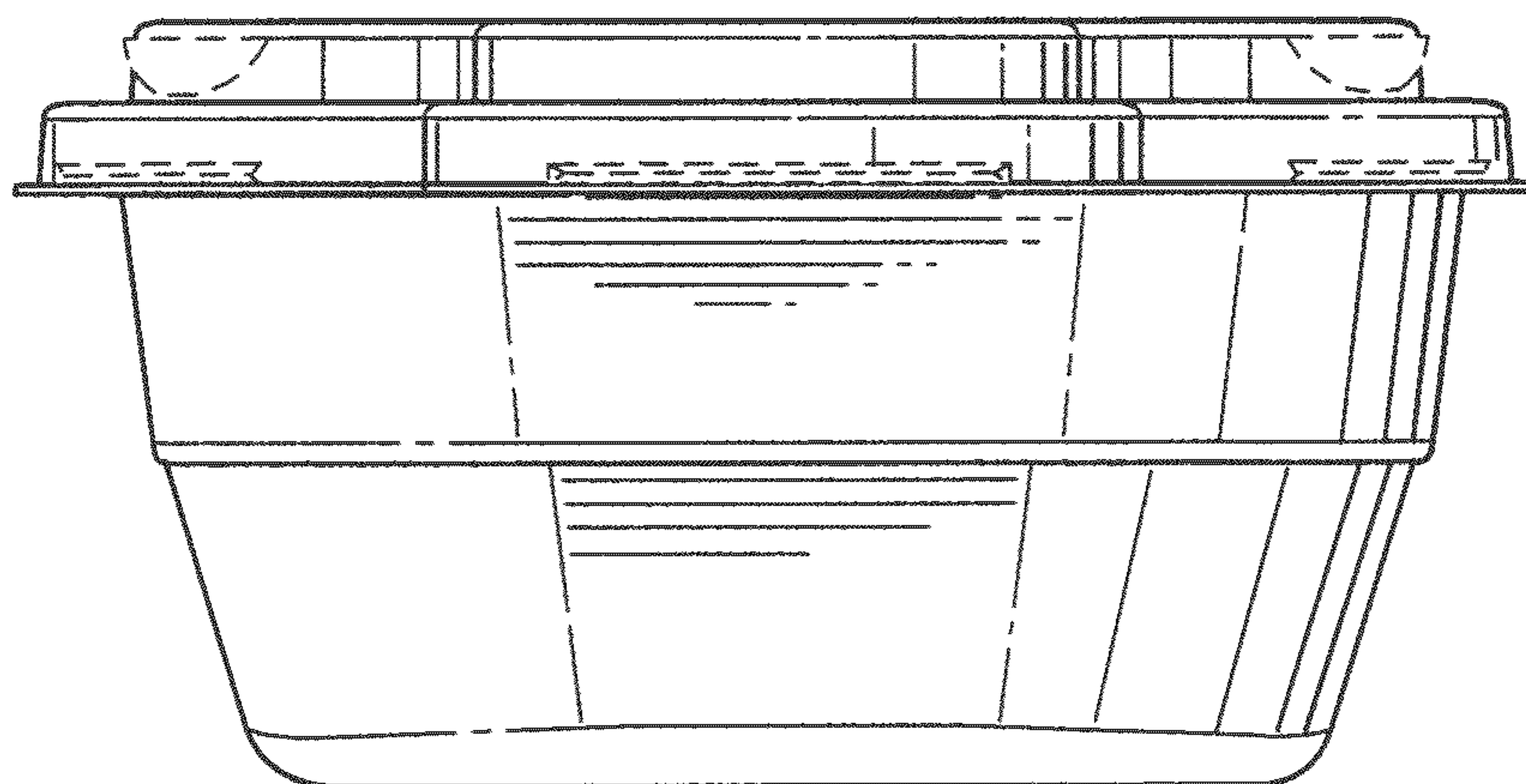


FIG. 5

