



US00D685629S

(12) **United States Design Patent**  
**McAdam**

(10) **Patent No.:** **US D685,629 S**

(45) **Date of Patent:** **\*\* Jul. 9, 2013**

(54) **FOLDING RIGID BOX**

(71) Applicant: **Leo Paper Bags Manufacturing (1982) Limited**, Kowloon (HK)

(72) Inventor: **Christine McAdam**, Redondo Beach, CA (US)

(73) Assignee: **Leo Paper Bags Manufacturing (1982) Limited**, Kowloon, Hong Kong (CN)

(\*\*) Term: **14 Years**

(21) Appl. No.: **29/433,407**

(22) Filed: **Sep. 28, 2012**

(51) **LOC (9) Cl.** ..... **09-03**

(52) **U.S. Cl.**  
USPC ..... **D9/420**

(58) **Field of Classification Search**  
USPC .... D9/430-433, 414, 418, 420-423; D3/272;  
206/278, 297, 299, 457, 770, 737, 822; 229/100,  
229/101, 101.3, 106, 108, 108.1, 116.1, 116.3,  
229/116.5, 121, 122, 201, 213, 221, 222,  
229/227, 922, 939, 942  
See application file for complete search history.

(56) **References Cited**

**U.S. PATENT DOCUMENTS**

2,024,702	A	*	12/1935	Powell	.....	206/45.29
D155,246	S	*	9/1949	Von Miklos	.....	D9/421
3,185,293	A	*	5/1965	Fletcher	.....	206/45.21
D217,441	S	*	5/1970	Kanaga	.....	D9/421
4,011,943	A	*	3/1977	Galli et al.	.....	206/744
D244,430	S	*	5/1977	Larkin	.....	D9/432
D263,121	S	*	2/1982	Lowry	.....	D9/432
D470,049	S	*	2/2003	Gray, III	.....	D9/759

D562,126	S	*	2/2008	Kienemund-Paroll	.....	D9/418
D606,857	S	*	12/2009	Stewart	.....	D9/432
D606,859	S	*	12/2009	Stewart	.....	D9/432
D631,338	S	*	1/2011	Prevost	.....	D9/421
D679,178	S	*	4/2013	Villiers et al.	.....	D9/420

\* cited by examiner

*Primary Examiner* — Thomas Johannes

(74) *Attorney, Agent, or Firm* — Perkins Coie LLP

(57) **CLAIM**

The ornamental design for the folding rigid box, as shown and described.

**DESCRIPTION**

FIG. 1 is a front-left perspective view showing my new design in a first configuration.

FIG. 2 is a right side view thereof.

FIG. 3 is a left side view thereof.

FIG. 4 is a front view thereof.

FIG. 5 is a rear view thereof.

FIG. 6 is a top view thereof.

FIG. 7 is a bottom view thereof.

FIG. 8 is front-left perspective view thereof in a second configuration.

FIG. 9 is a right side view thereof.

FIG. 10 is a left side view thereof.

FIG. 11 is a front view thereof.

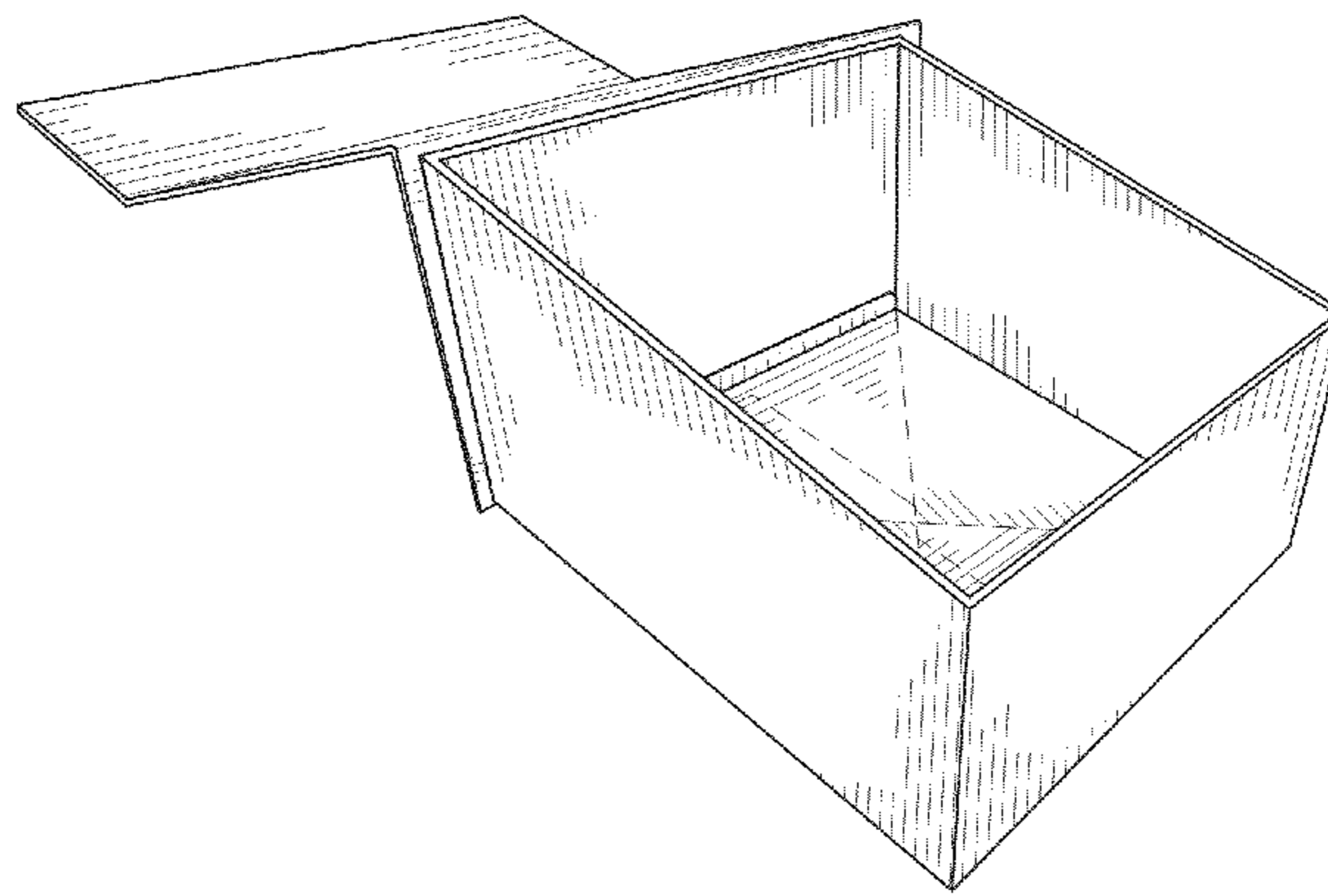
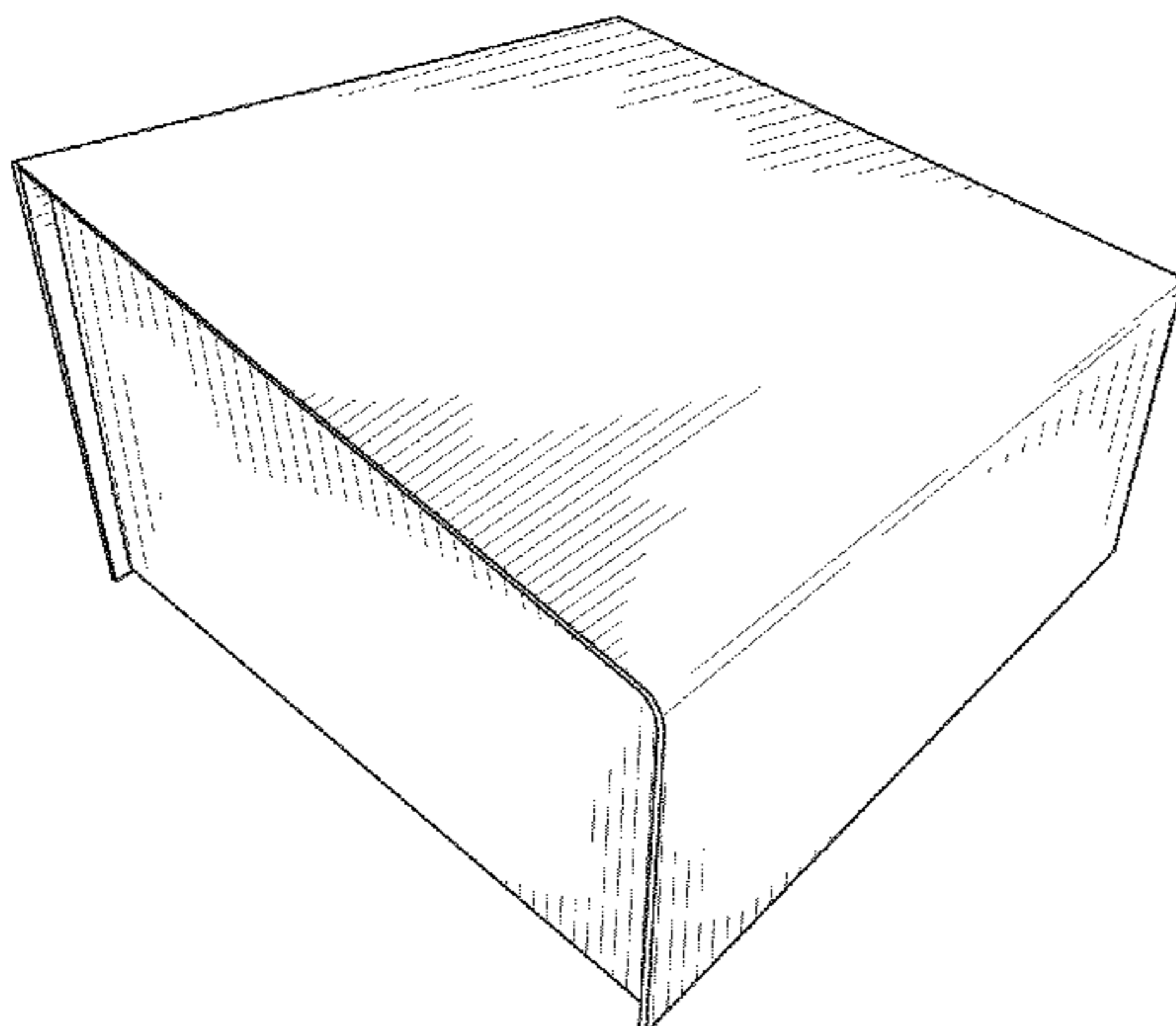
FIG. 12 is a rear view thereof.

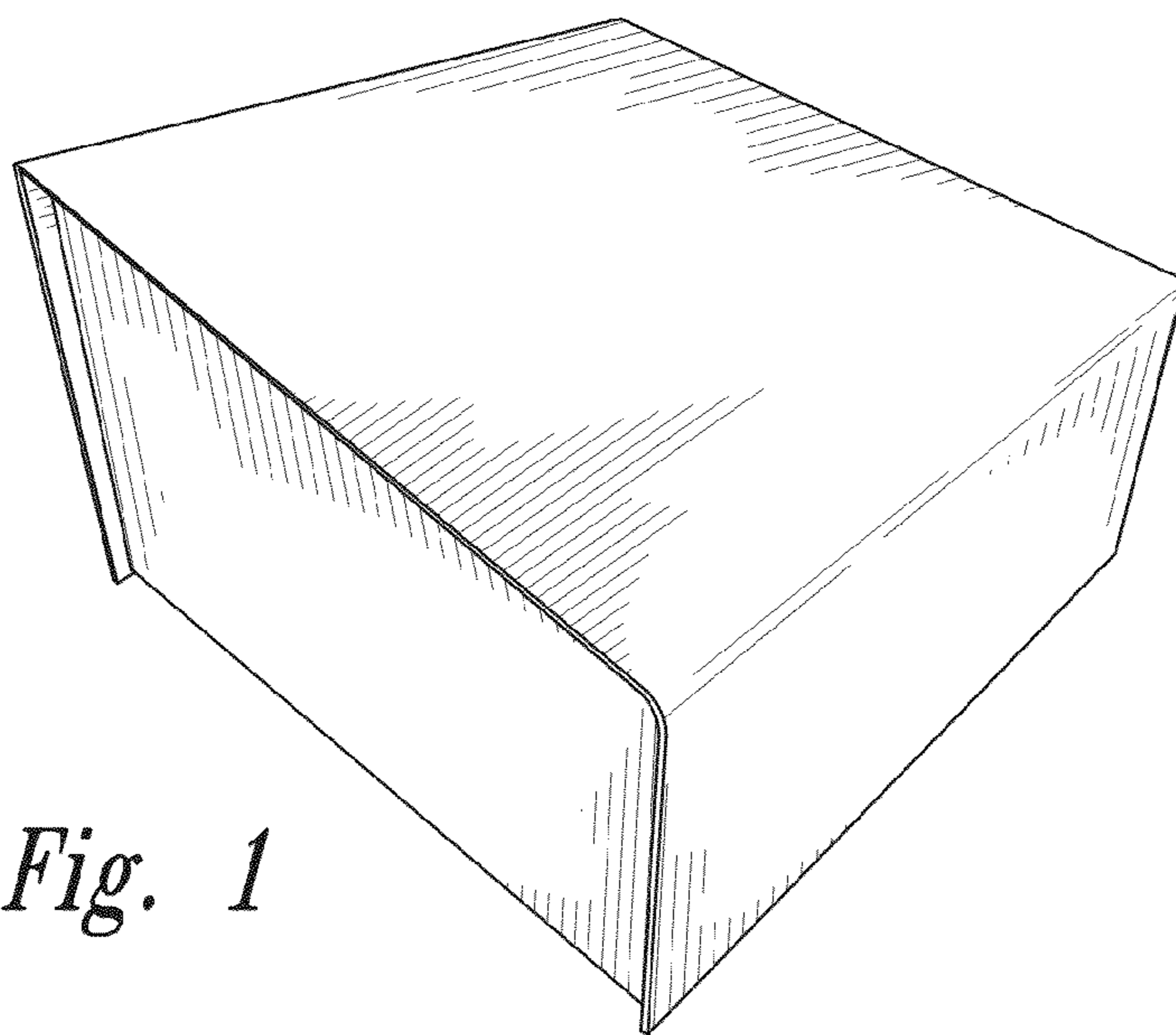
FIG. 13 is a top view thereof; and,

FIG. 14 is a bottom view thereof.

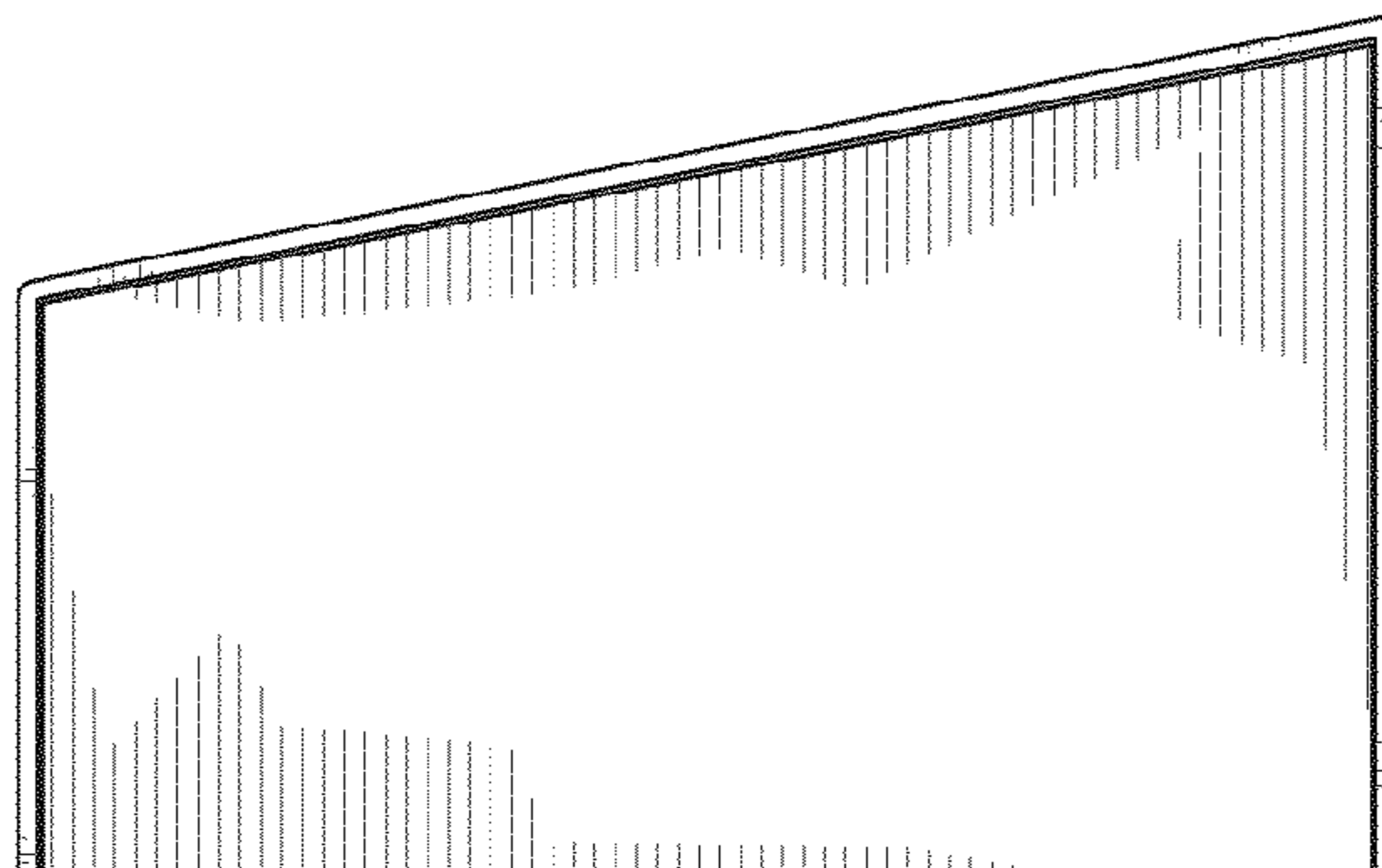
The broken line portion of the figure drawings is included to show unclaimed subject matter only and forms no part of the claimed design.

**1 Claim, 6 Drawing Sheets**

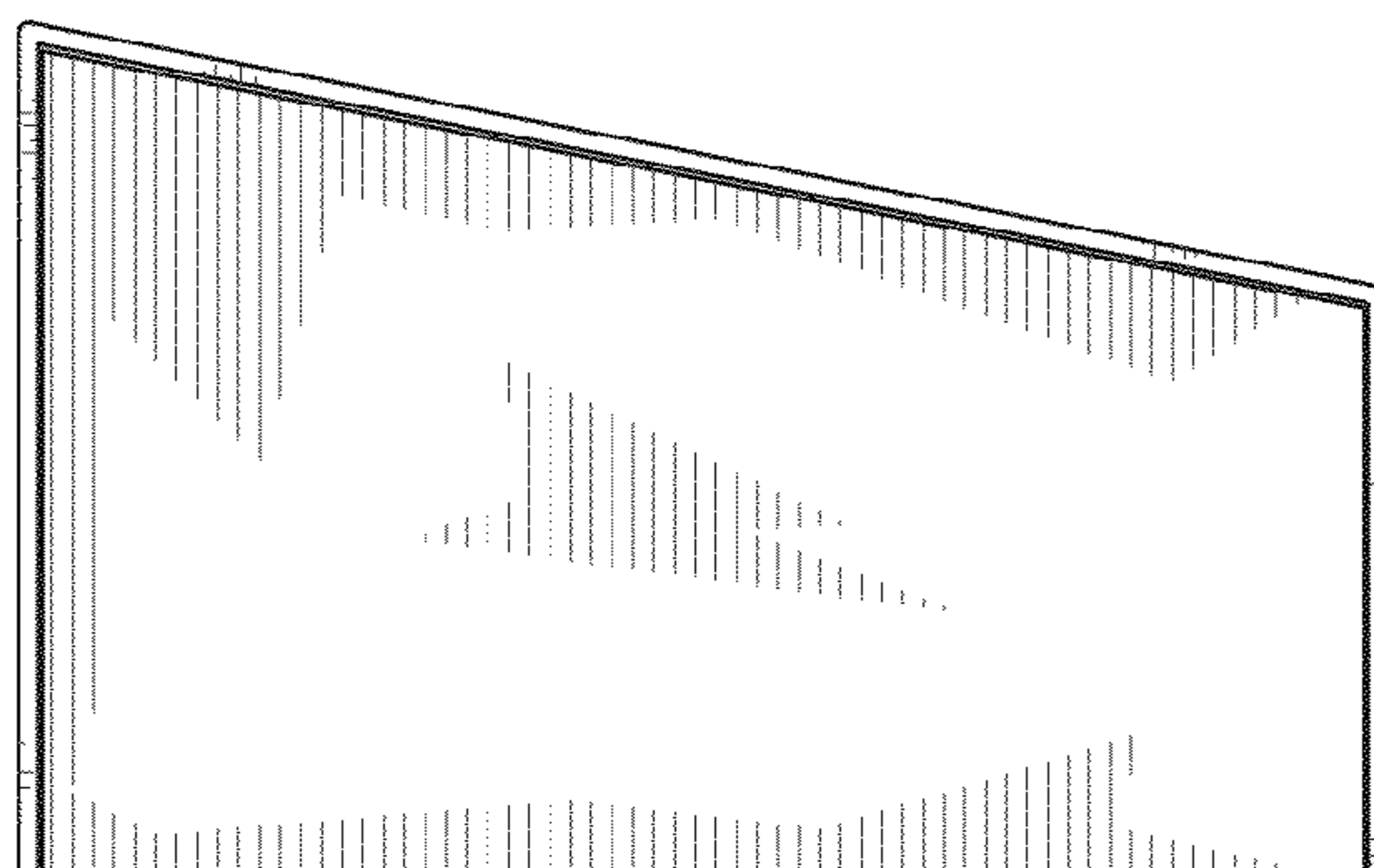




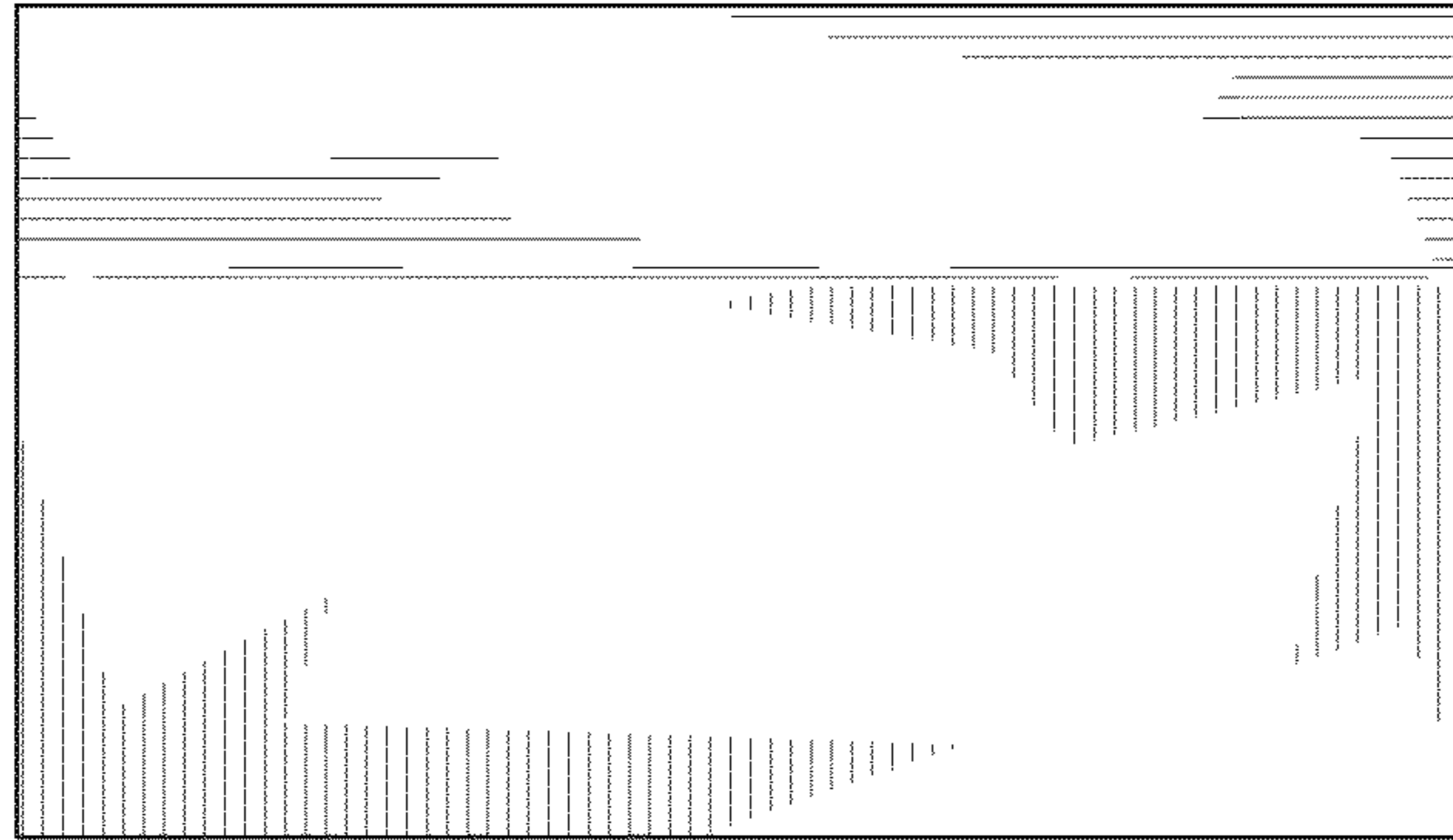
*Fig. 1*



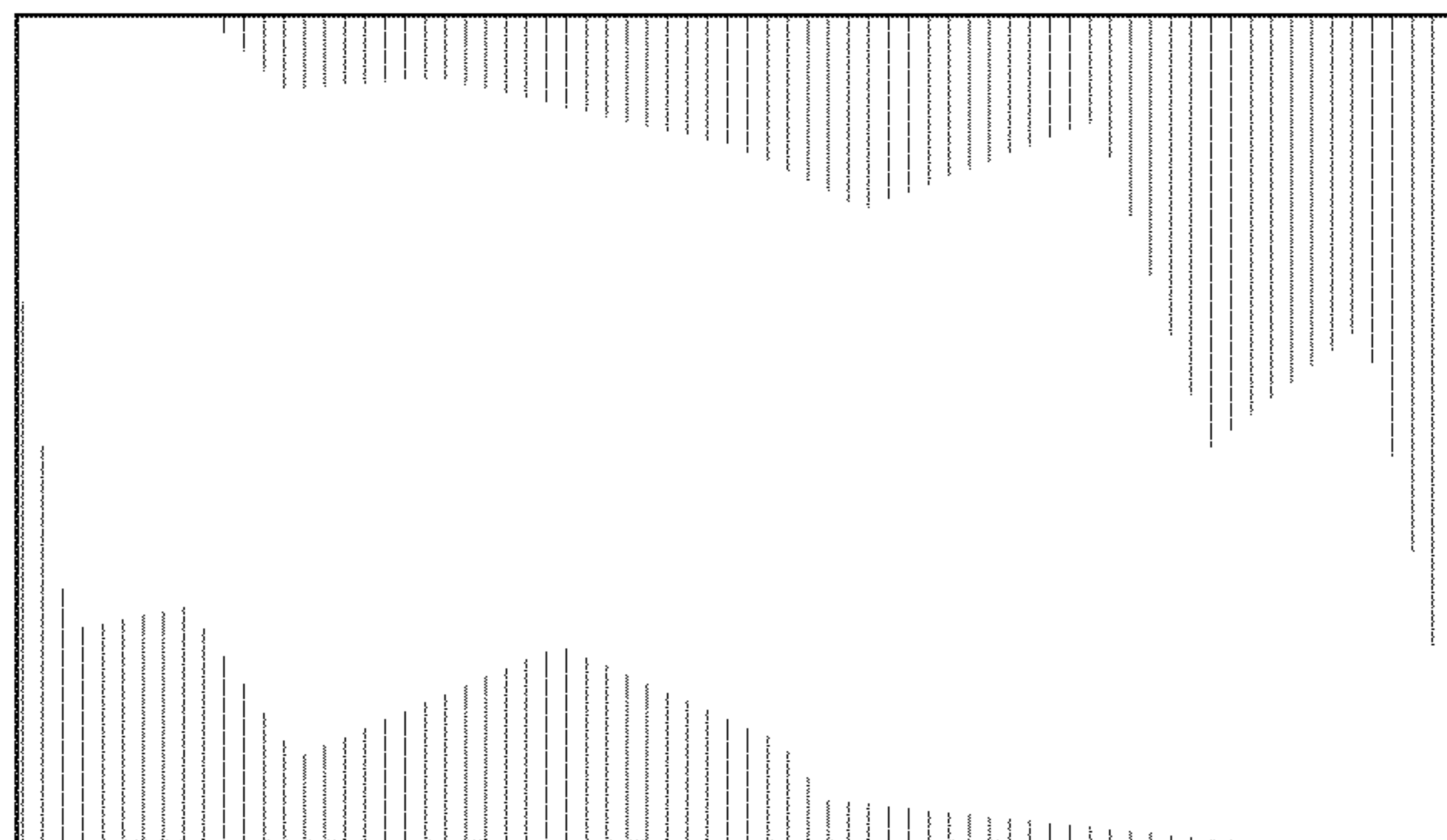
*Fig. 2*



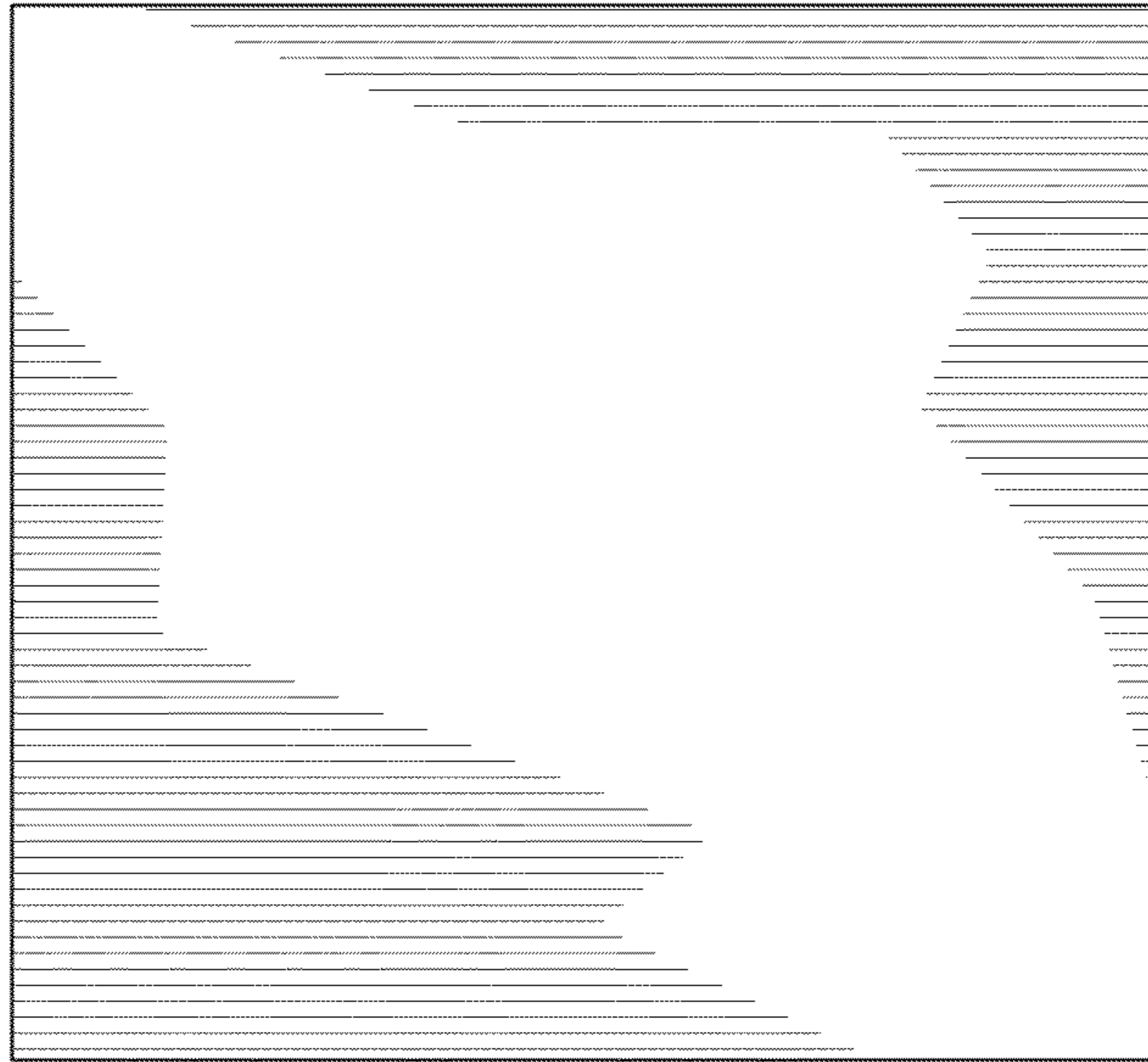
*Fig. 3*



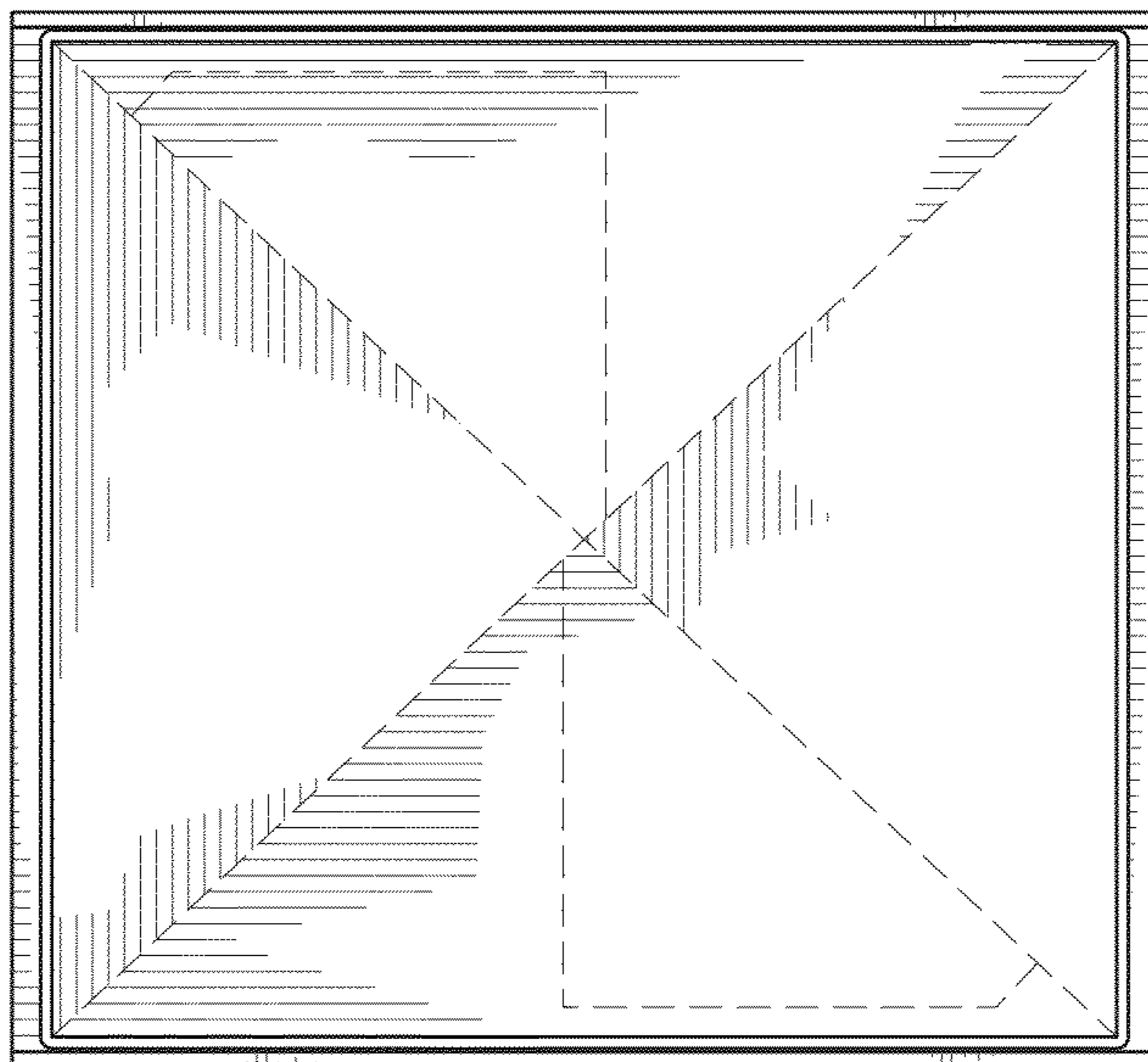
*Fig. 4*



*Fig. 5*

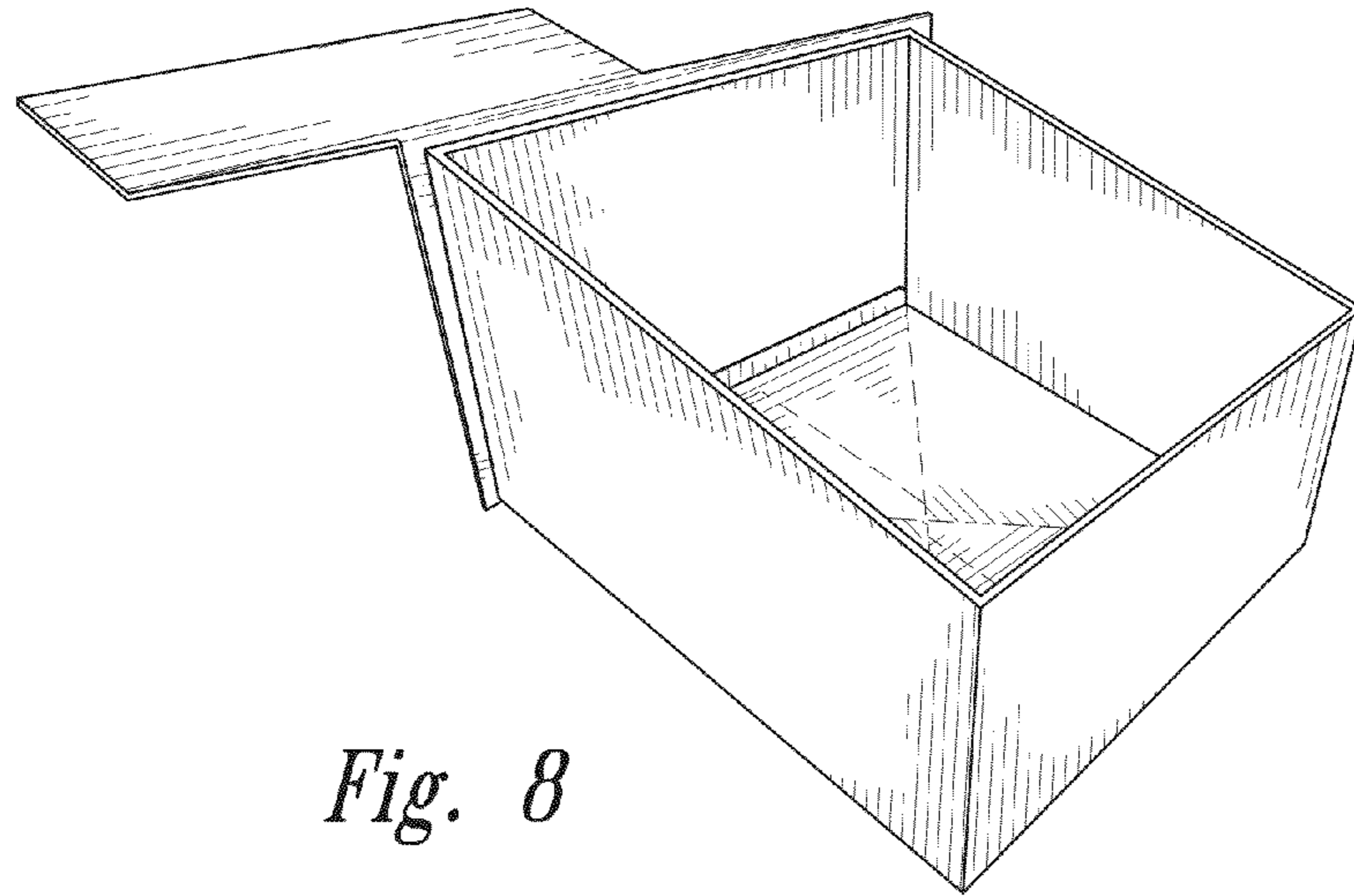


*Fig. 6*

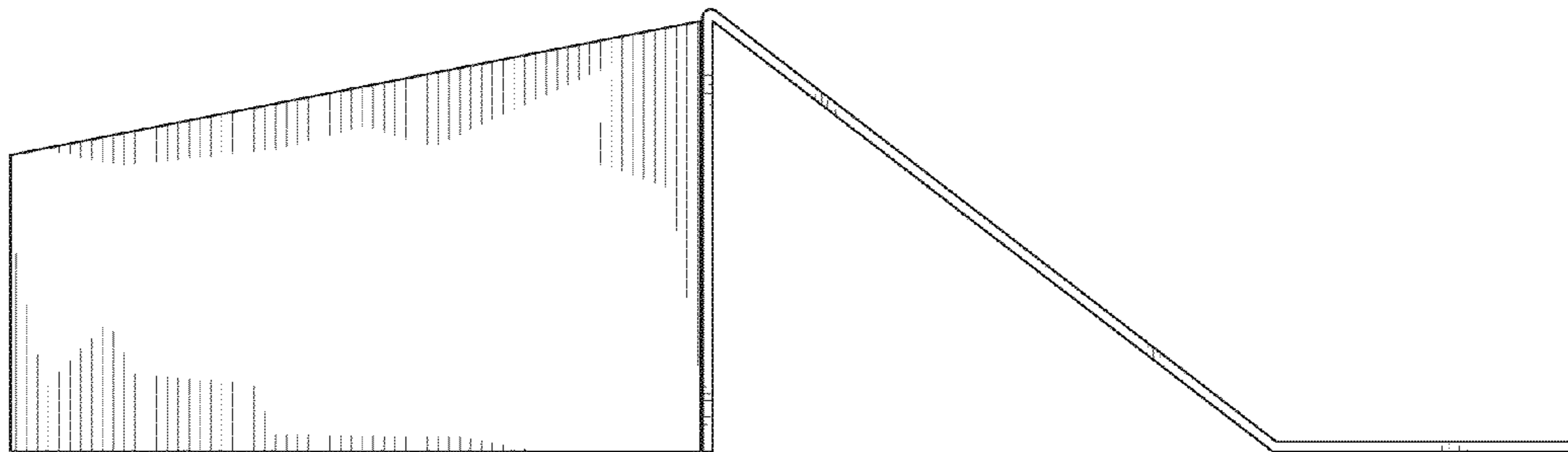


*Fig. 7*

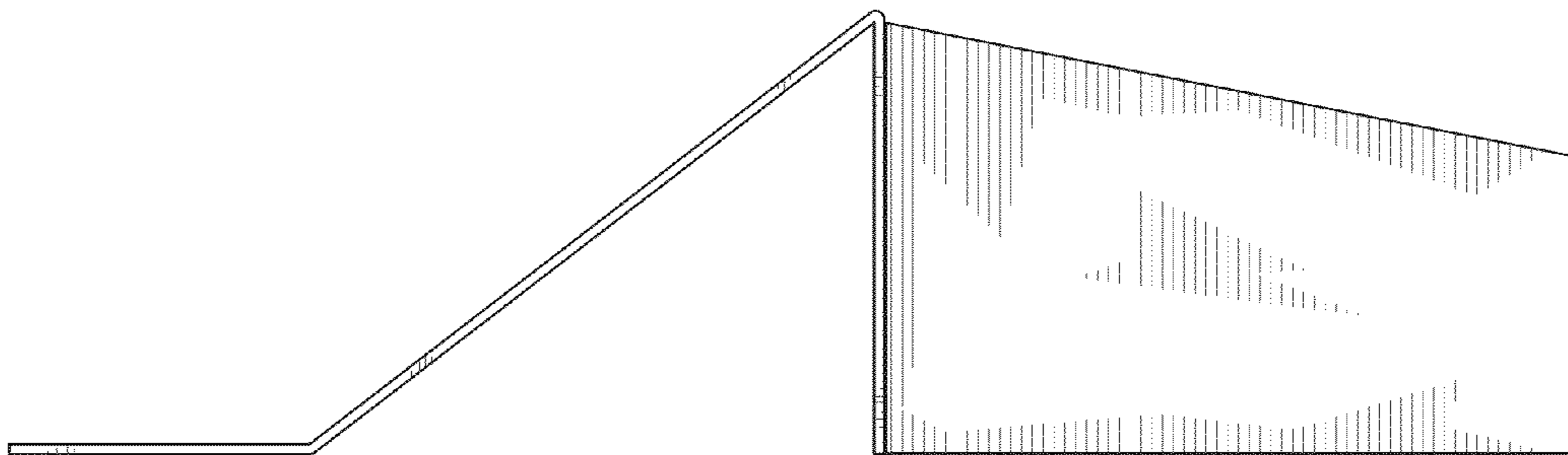




*Fig. 8*



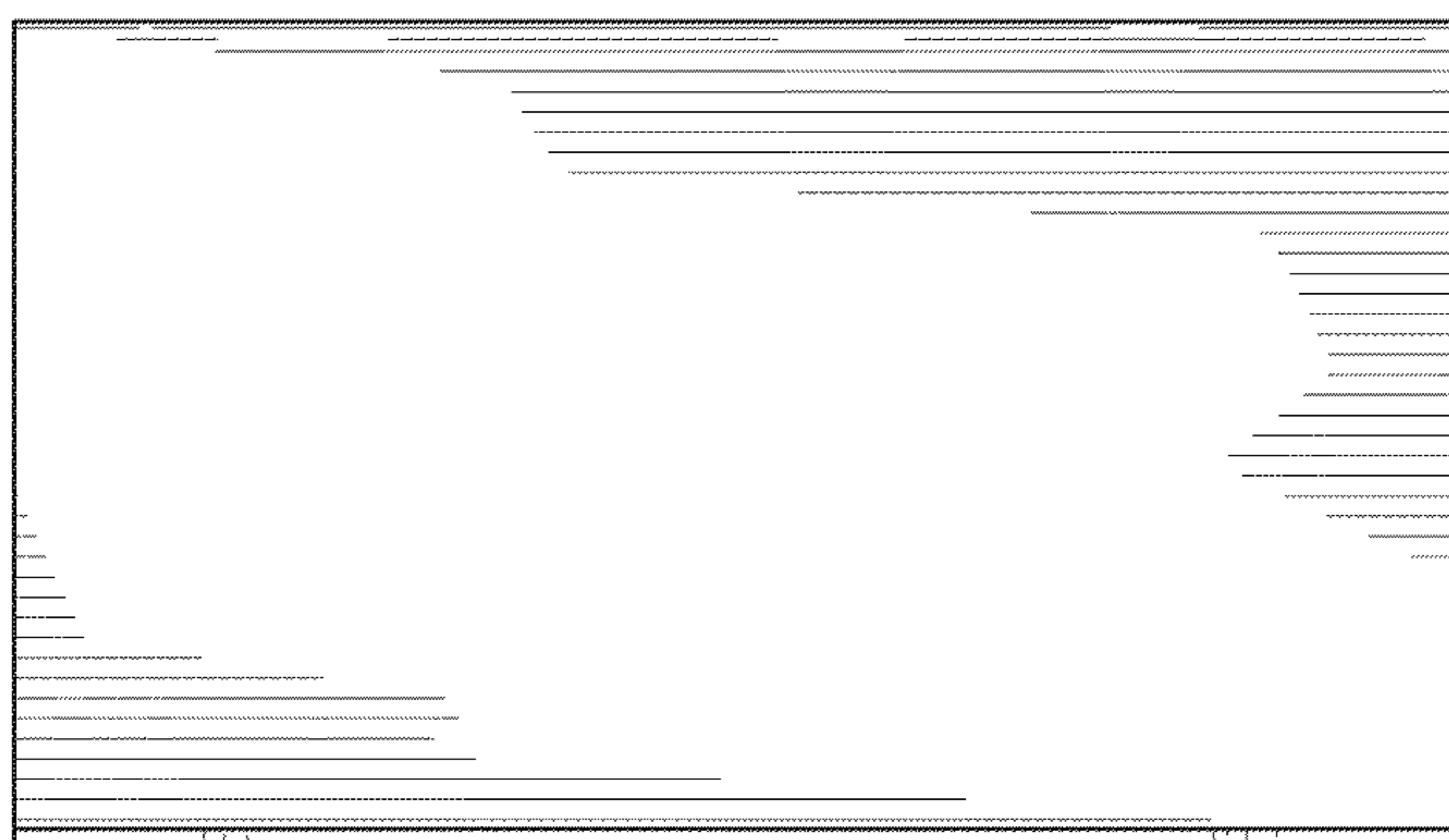
*Fig. 9*



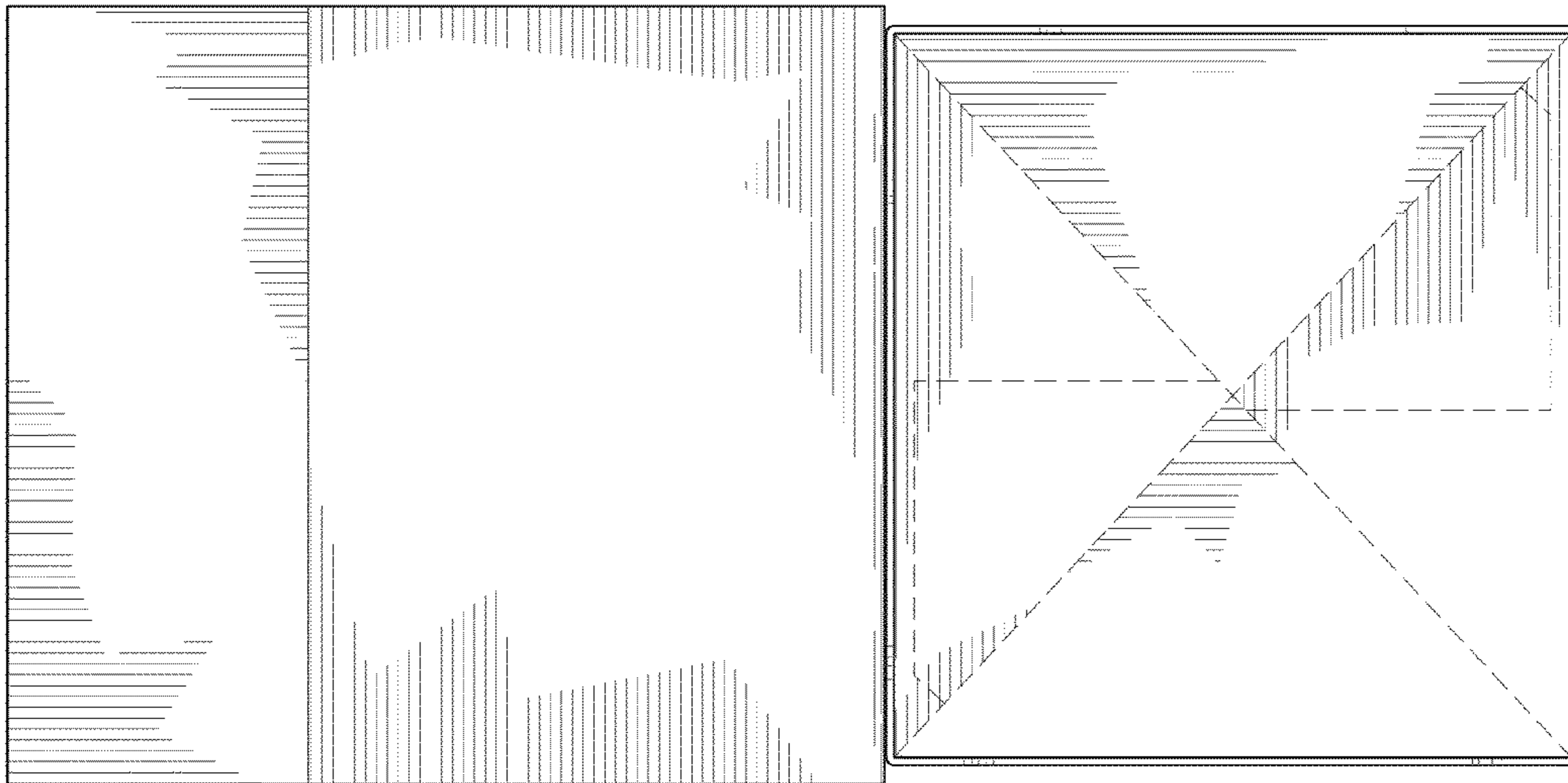
*Fig. 10*



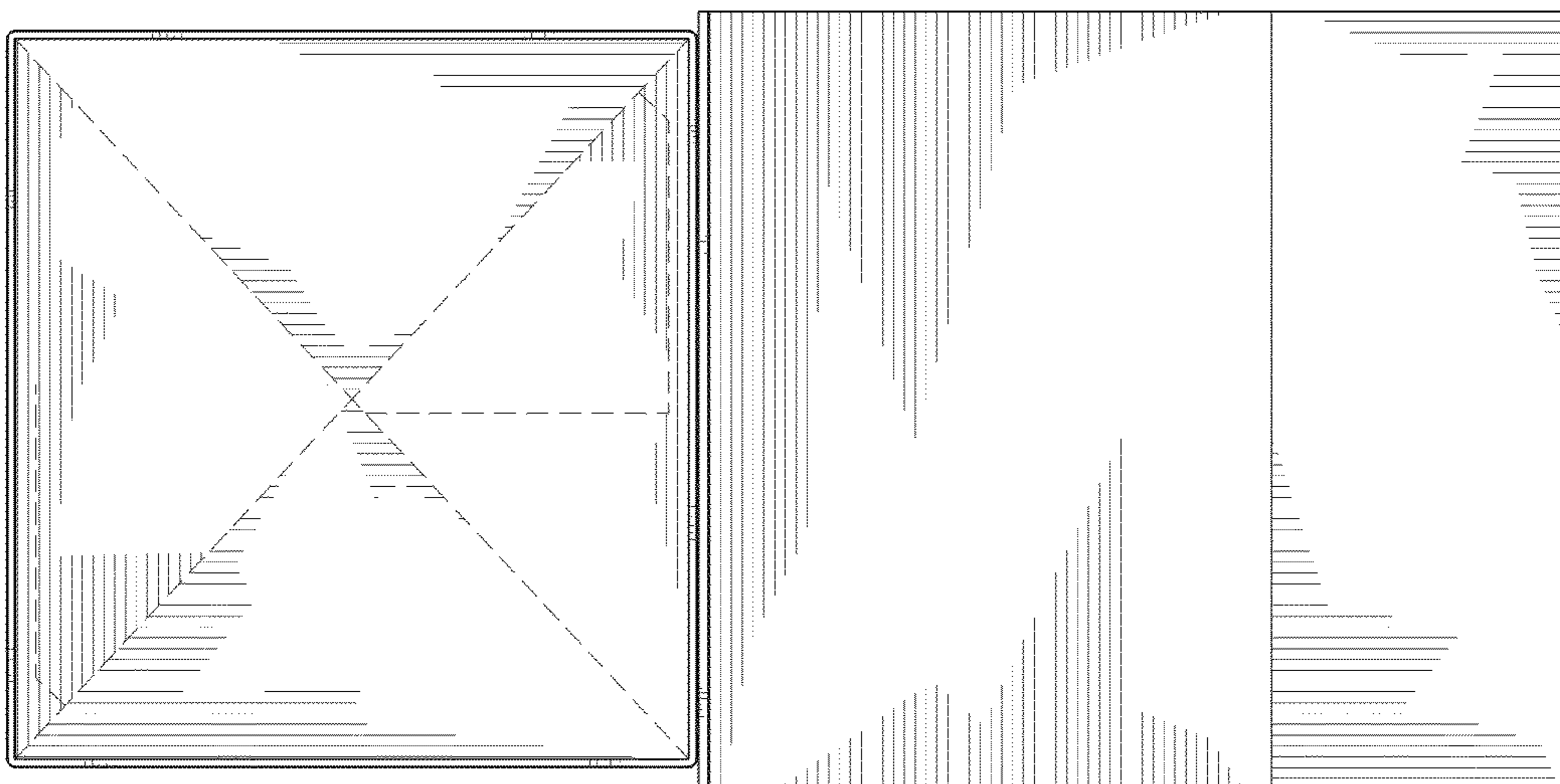
*Fig. 11*



*Fig. 12*



*Fig. 13*



*Fig. 14*