



US00D685628S

(12) **United States Design Patent**
Durdon et al.

(10) **Patent No.:** **US D685,628 S**
(45) **Date of Patent:** **** Jul. 9, 2013**

(54) **COVERED CONTAINER**

(75) Inventors: **Terrance N. Durdon**, Brantford (CA);
Michael MacDonald, Waterloo (CA)

(73) Assignee: **Amhil Enterprises**, Mississauga (CA)

(**) Term: **14 Years**

(21) Appl. No.: **29/432,451**

(22) Filed: **Sep. 14, 2012**

(51) **LOC (9) Cl.** **09-03**

(52) **U.S. Cl.**

USPC **D9/420**; D9/425

(58) **Field of Classification Search**

USPC D9/414–416, 418–421, 423–428,
D9/430–432, 434; D3/302, 314; 206/119,
206/464, 470, 508, 545, 806; 220/4.22–4.24,
220/574, 604–608, 659, 675, 781–782, 793,
220/835, 839, DIG. 14; 229/406, 407, 902;
D7/396.1, 392.1, 394, 538, 543–545, 550.1,
D7/551, 554.3, 587, 566, 584, 586, 629, 667;
221/191; D23/355–366; 219/725, 735

See application file for complete search history.

(56) **References Cited**

U.S. PATENT DOCUMENTS

4,576,330 A * 3/1986 Schepp 220/315
4,771,934 A * 9/1988 Kalmanides 229/406
D673,847 S * 1/2013 Barbier D9/420
D675,517 S * 2/2013 Garza D9/424

2005/0247709 A1 * 11/2005 Atkins et al. 220/4.23
2007/0045317 A1 * 3/2007 Rosender et al. 220/266
2013/0068654 A1 * 3/2013 MacDonald 206/524.6

* cited by examiner

Primary Examiner — Thomas Johannes

(74) *Attorney, Agent, or Firm* — Gerald A. Gowan; Gowan
Intellectual Property

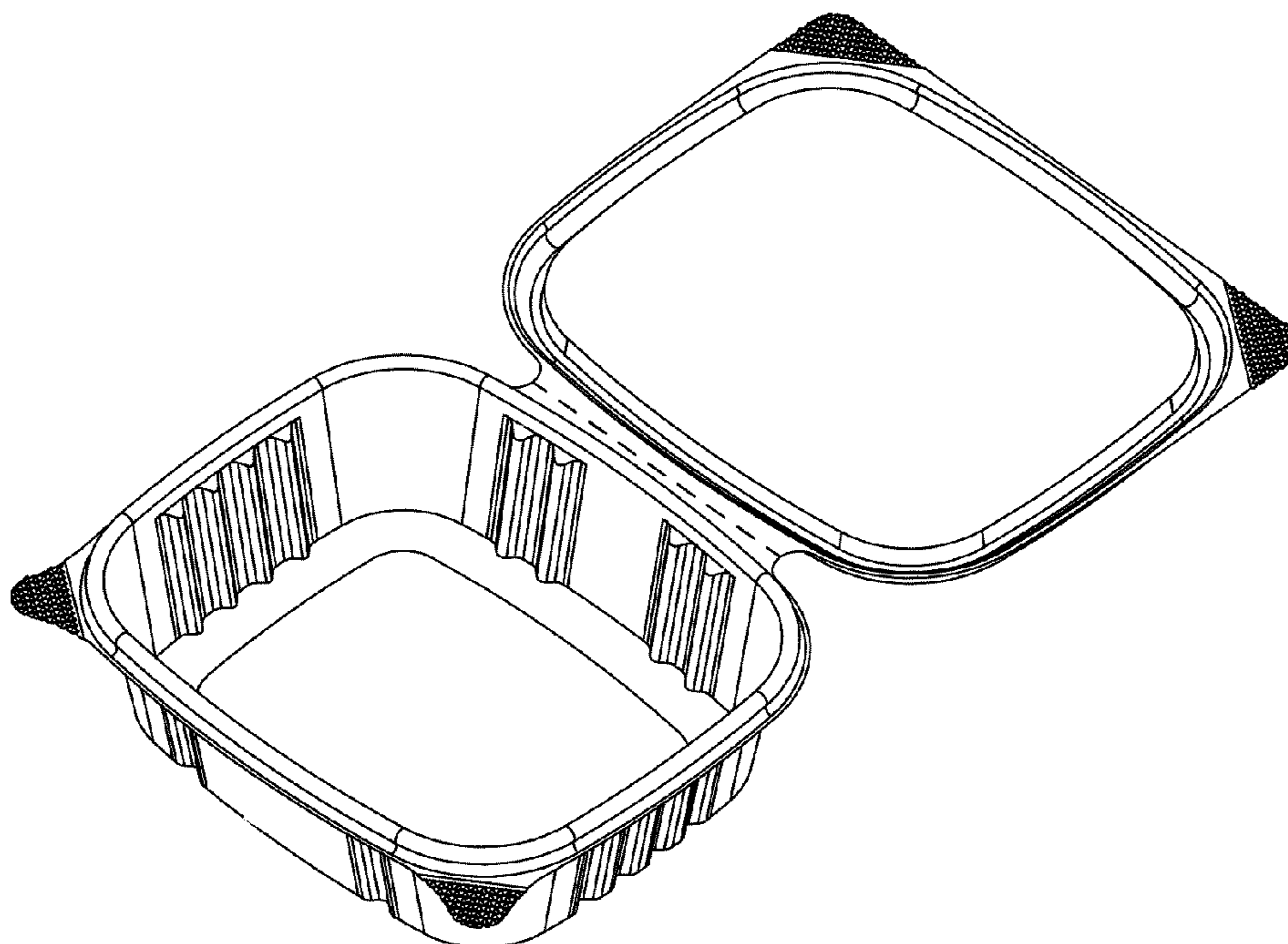
(57) **CLAIM**

The ornamental design for a covered container, as shown and
described.

DESCRIPTION

FIG. 1 is a perspective view of a first embodiment of a covered
container of the present design in an open position;
FIG. 2 is a perspective view thereof in a closed position;
FIG. 3 is a top view thereof;
FIG. 4 is a back view thereof;
FIG. 5 is a left side view thereof;
FIG. 6 is a bottom view thereof;
FIG. 7 is a right side view thereof;
FIG. 8 is a front view thereof;
FIG. 9 is a perspective view of a second embodiment of a
covered container of the present design in an open position;
FIG. 10 is a perspective view thereof in a closed position;
FIG. 11 is a top view thereof;
FIG. 12 is a back view thereof;
FIG. 13 is a left side view thereof;
FIG. 14 is a bottom view thereof;
FIG. 15 is a right side view thereof; and,
FIG. 16 is a front view thereof.

1 Claim, 4 Drawing Sheets



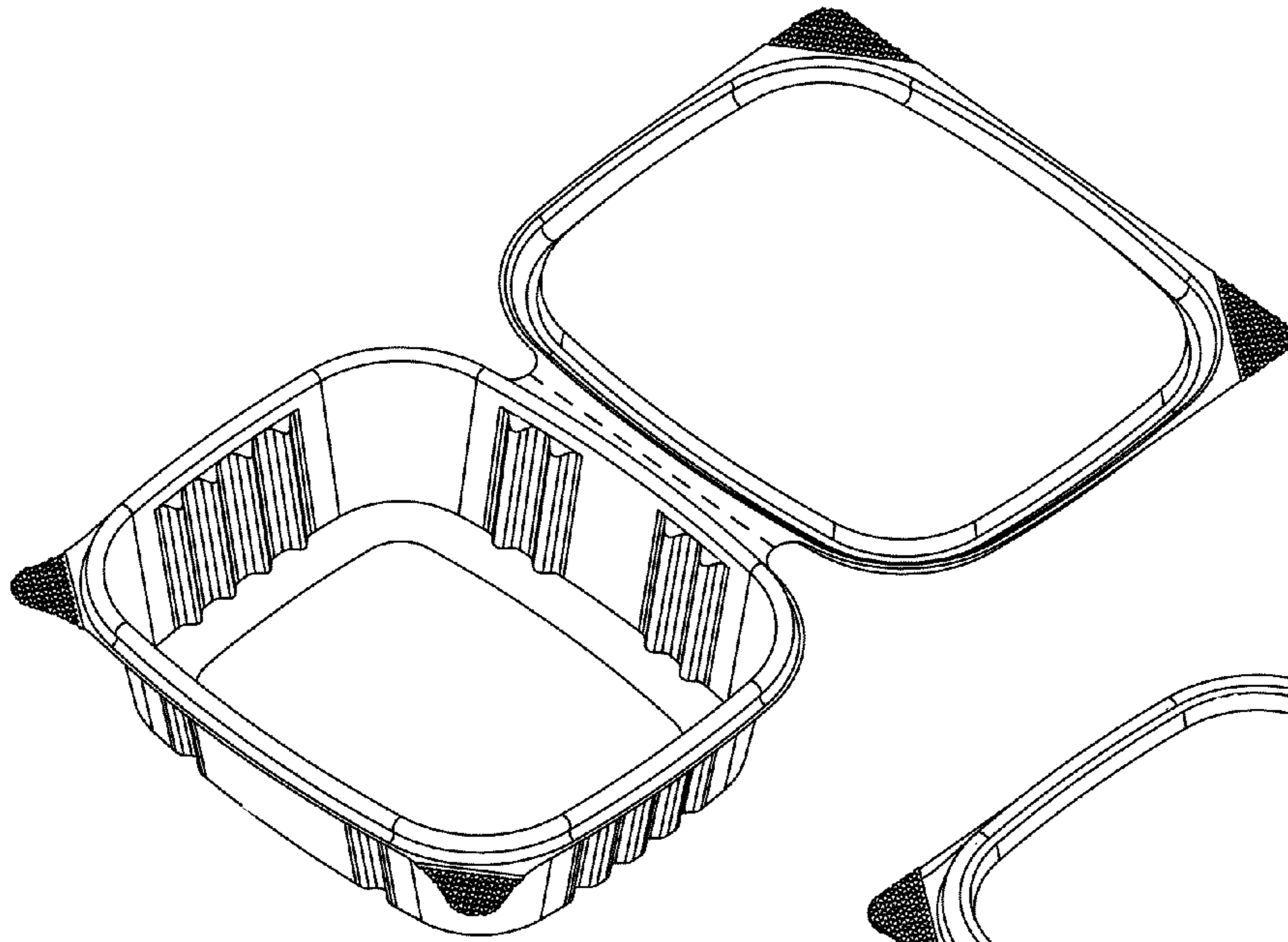


Fig. 1

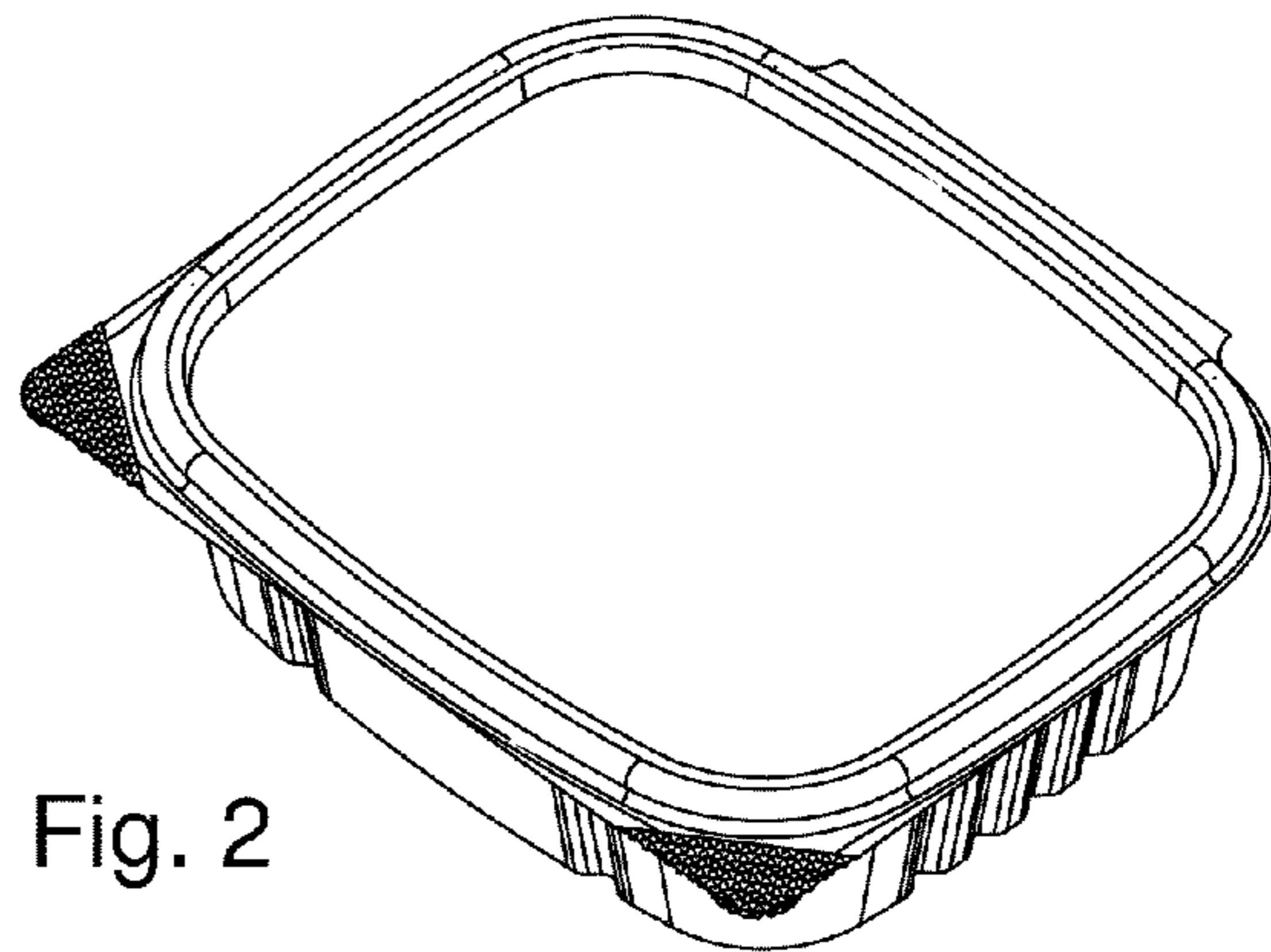


Fig. 2

Fig. 3

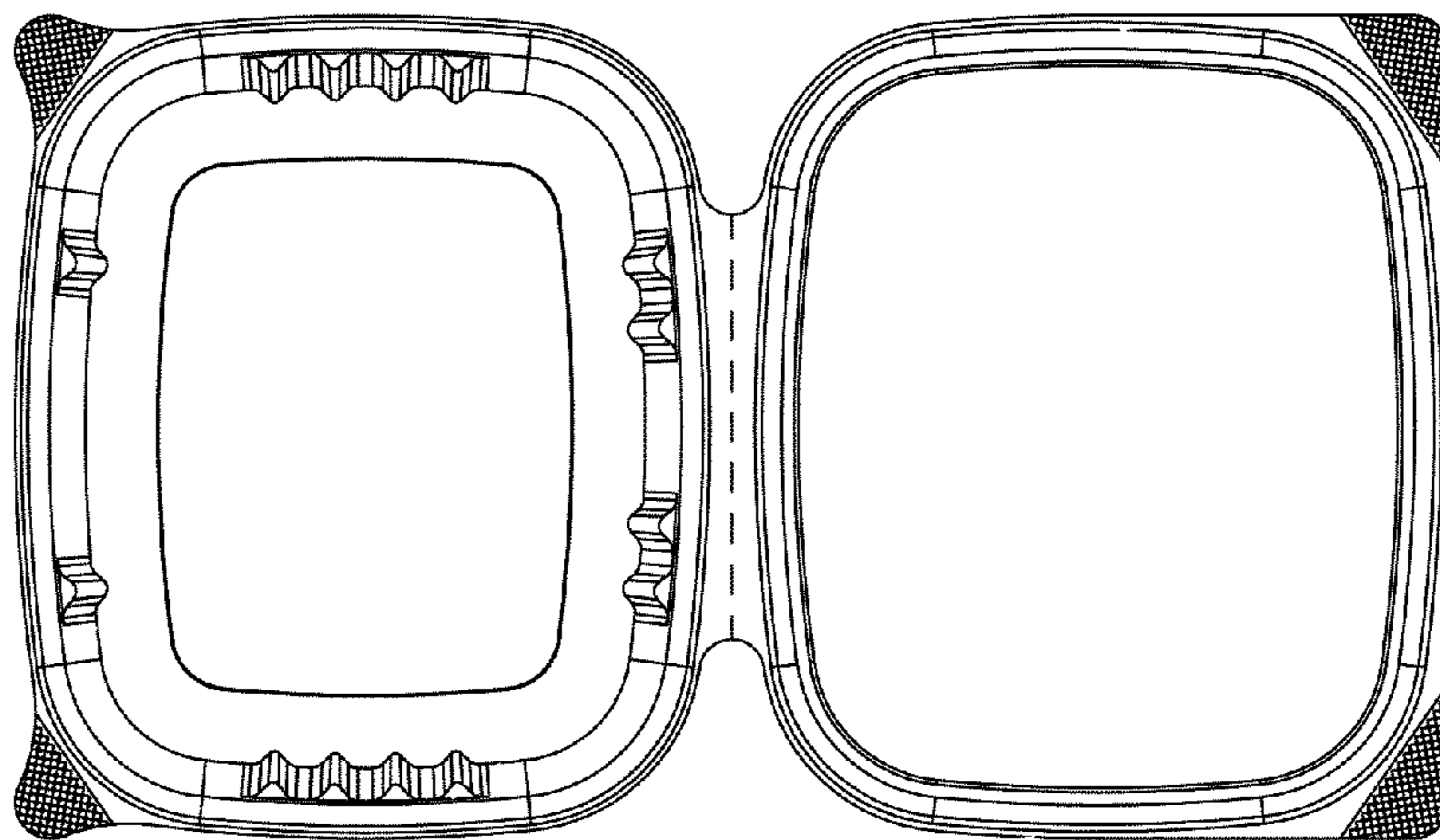


Fig. 4

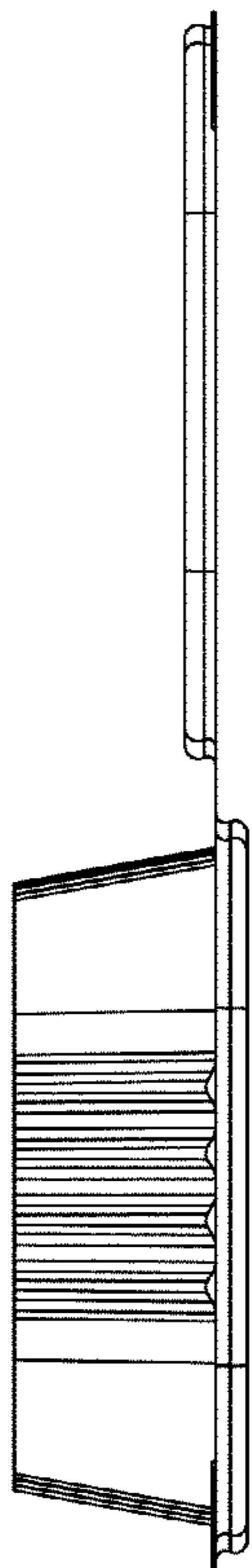
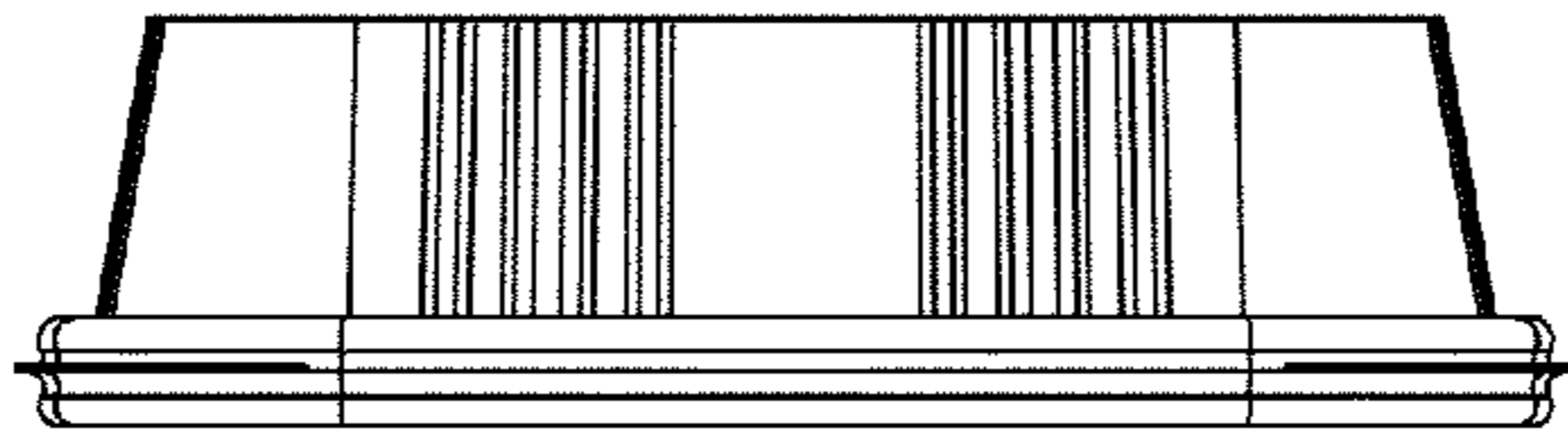


Fig. 5

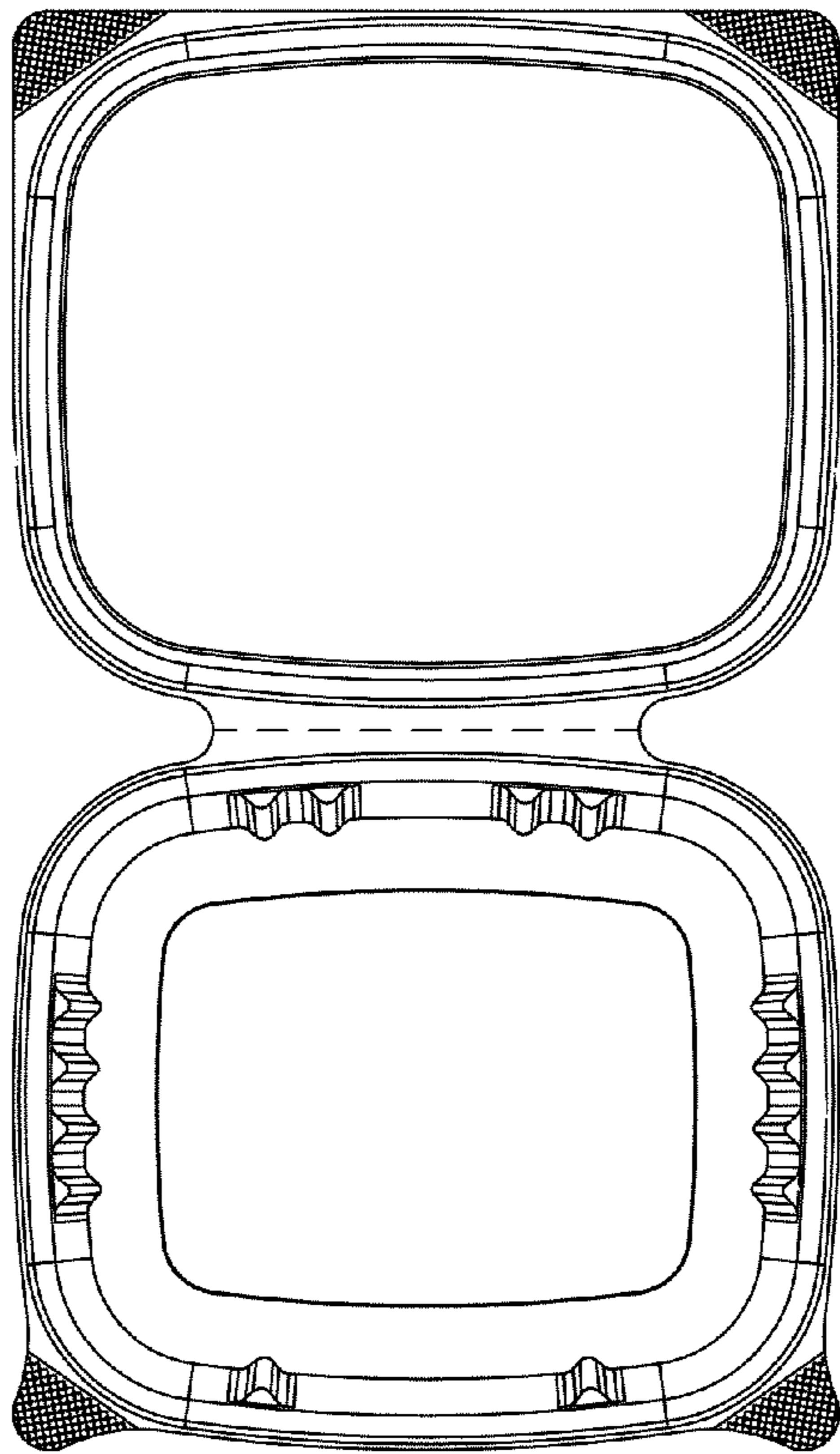


Fig. 6

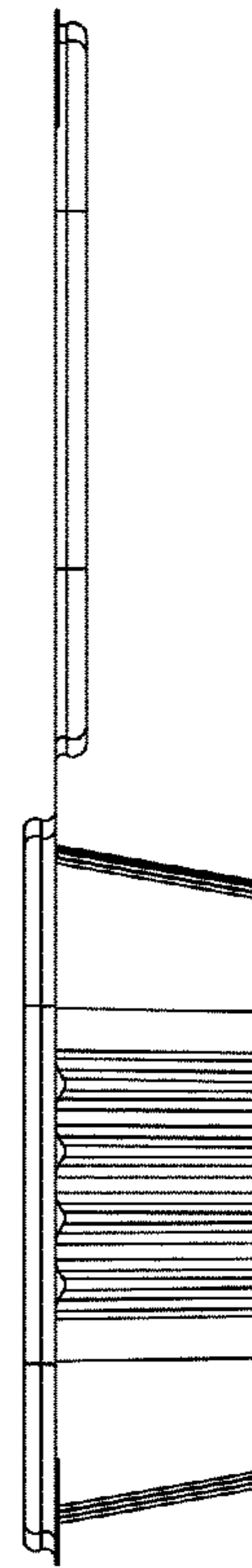


Fig. 7

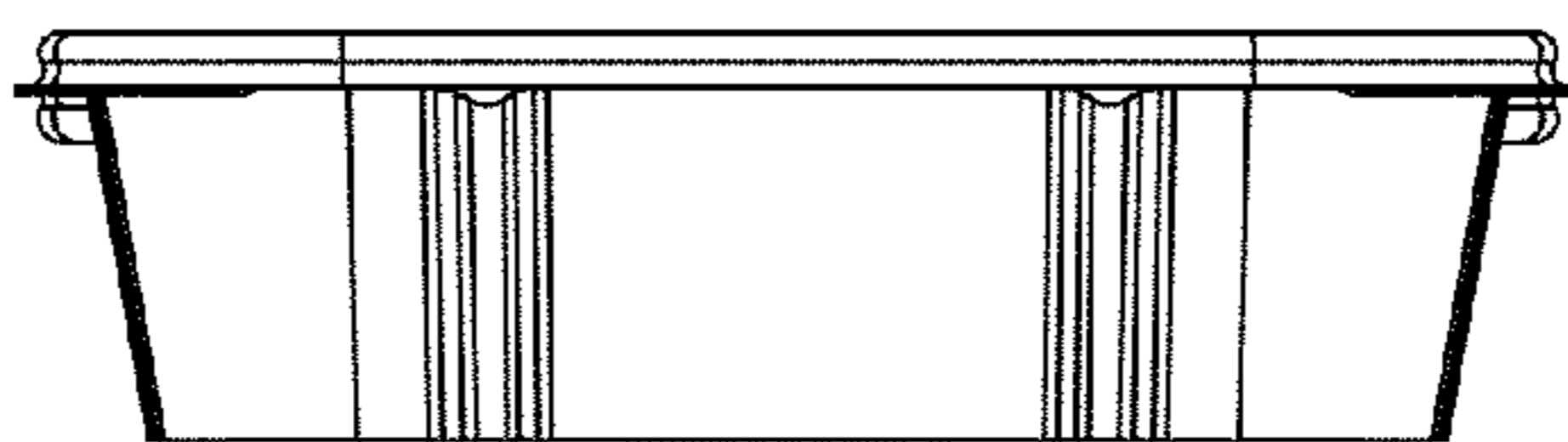


Fig. 8

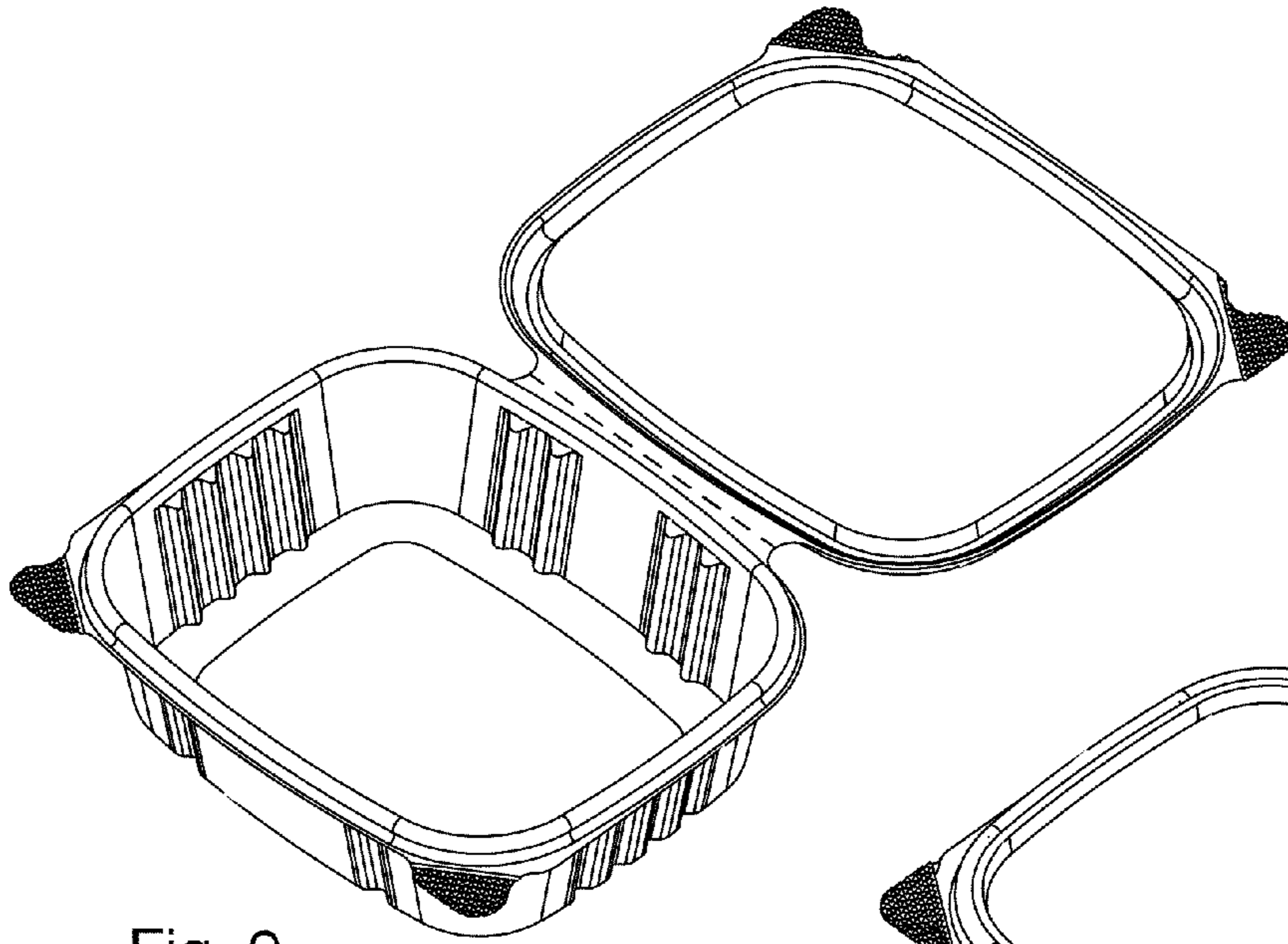


Fig. 9

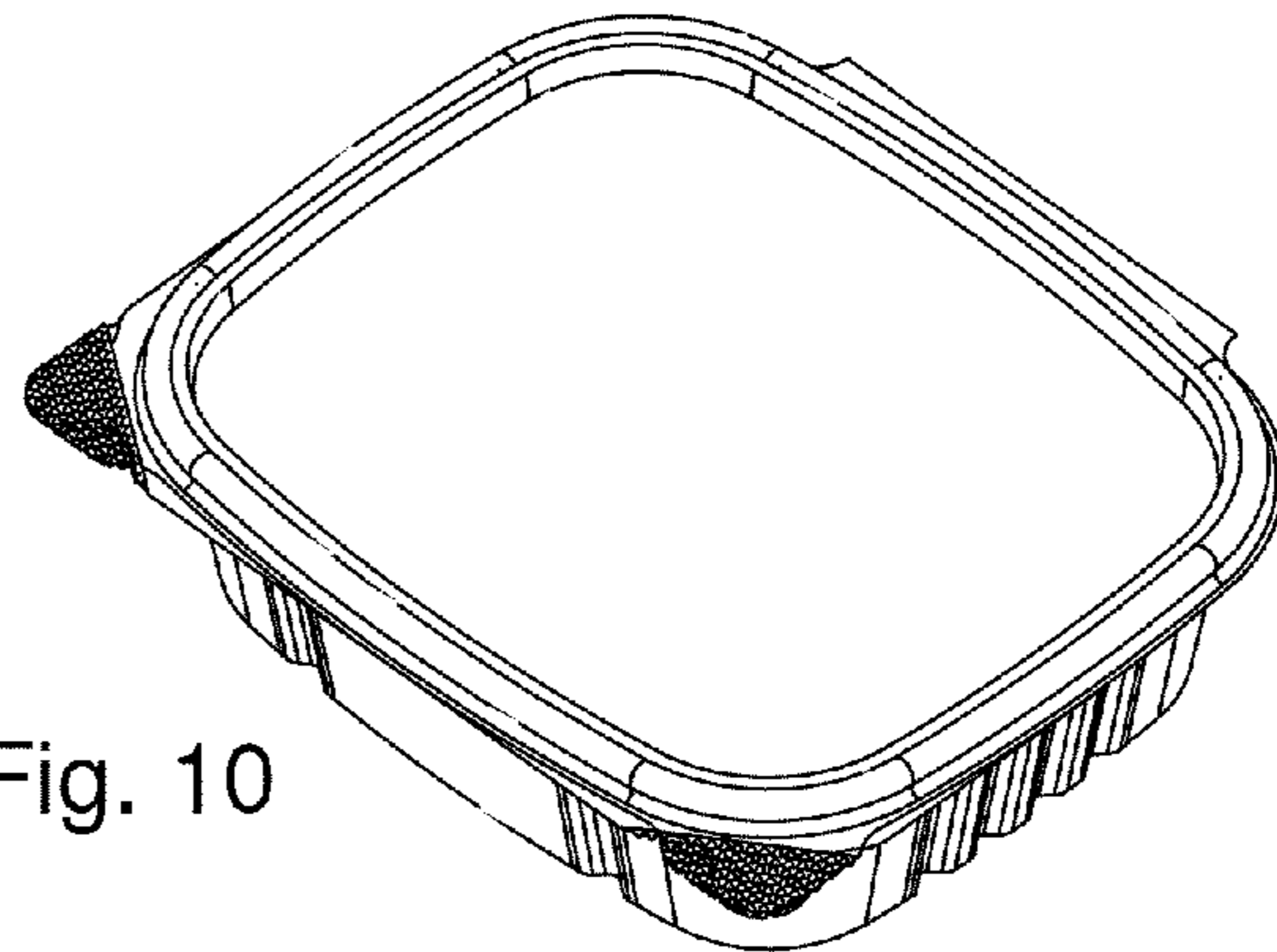


Fig. 10

Fig. 11

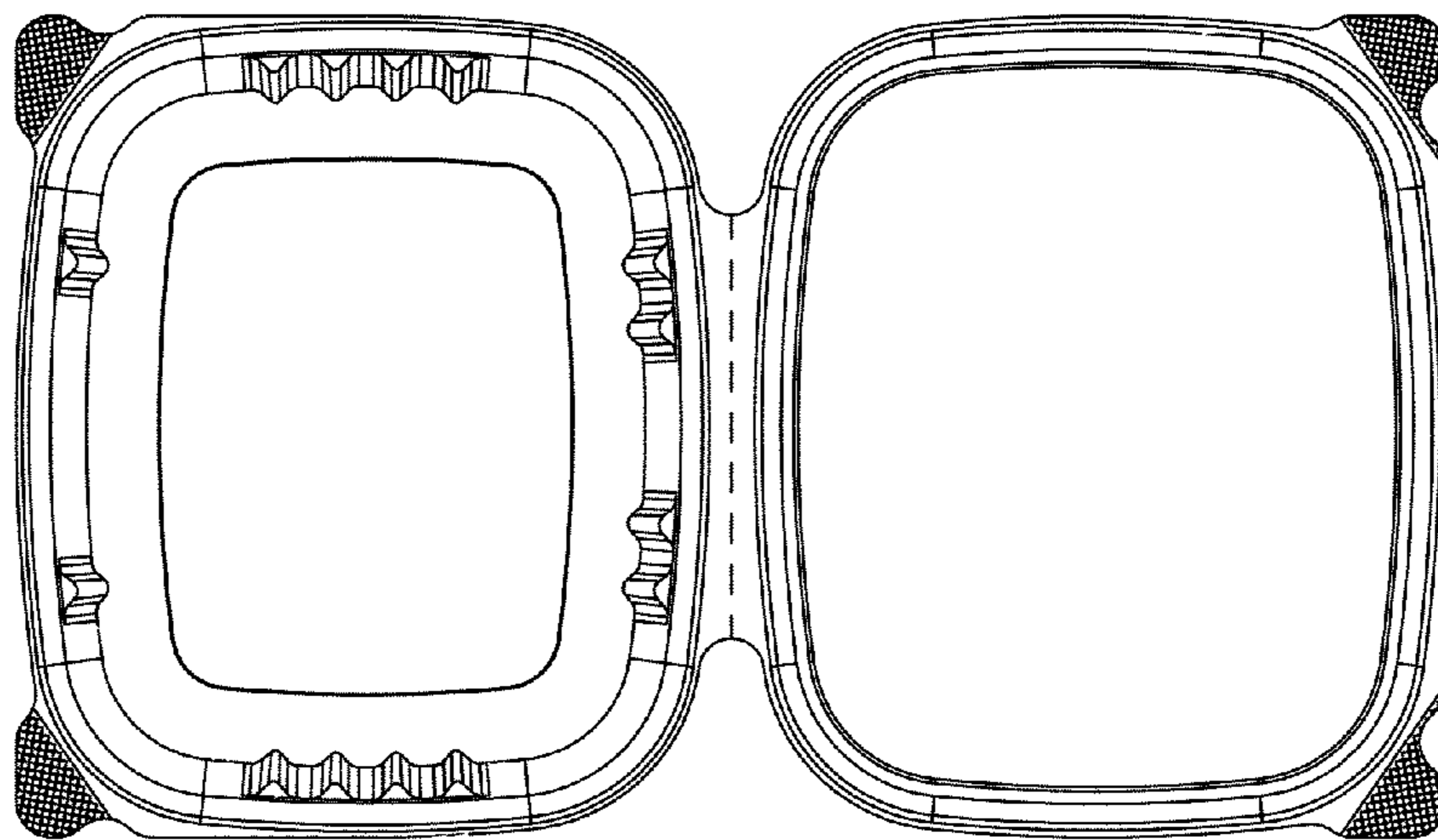


Fig. 12

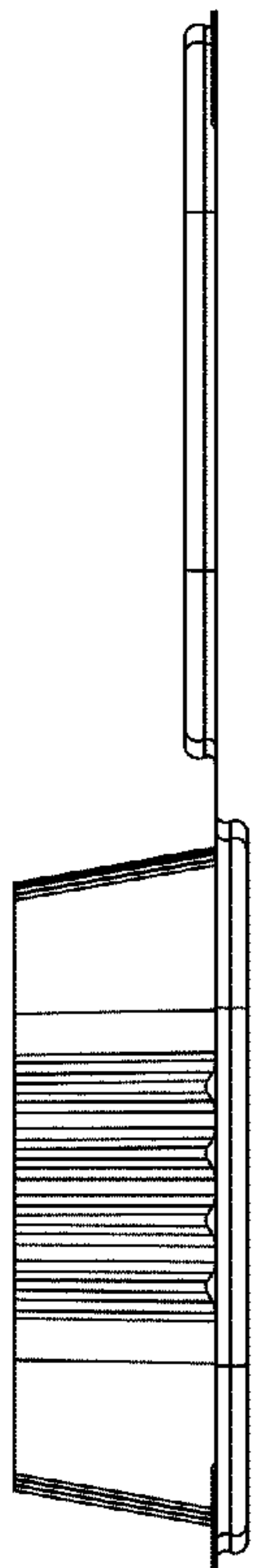
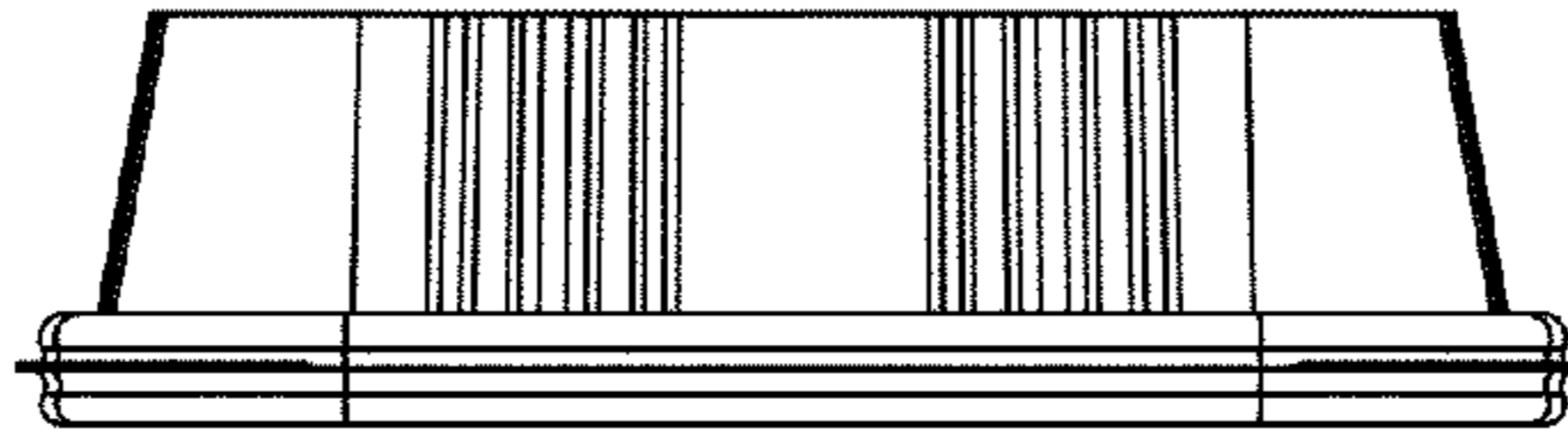


Fig. 13

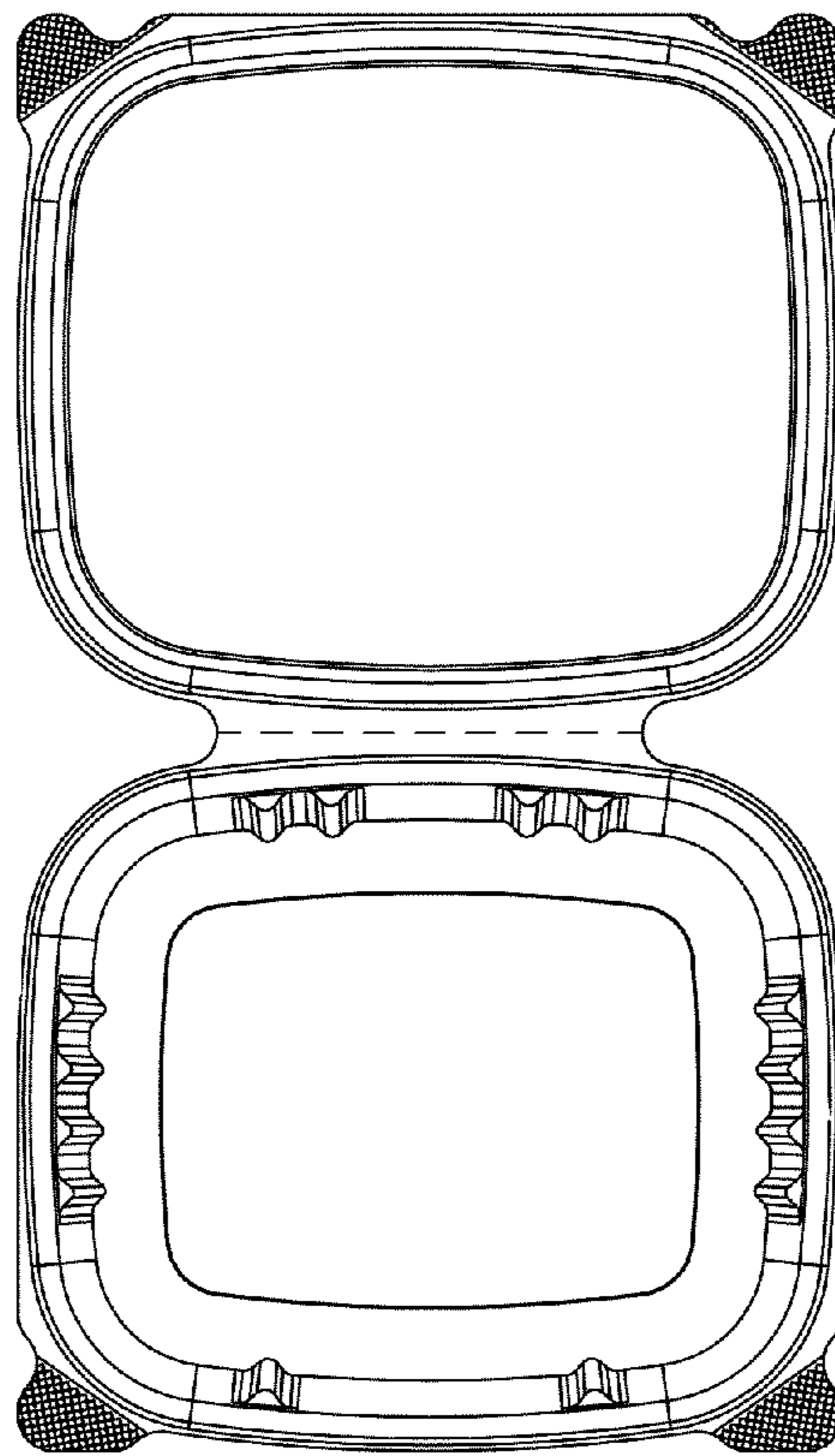


Fig. 14

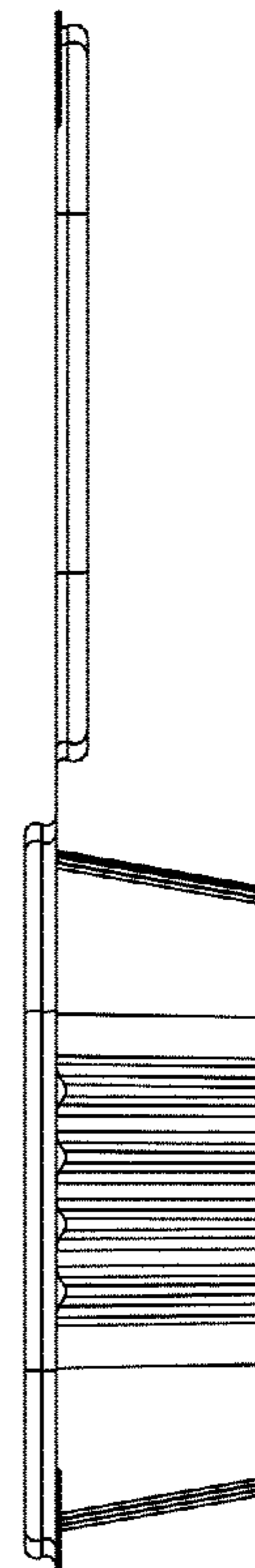


Fig. 15

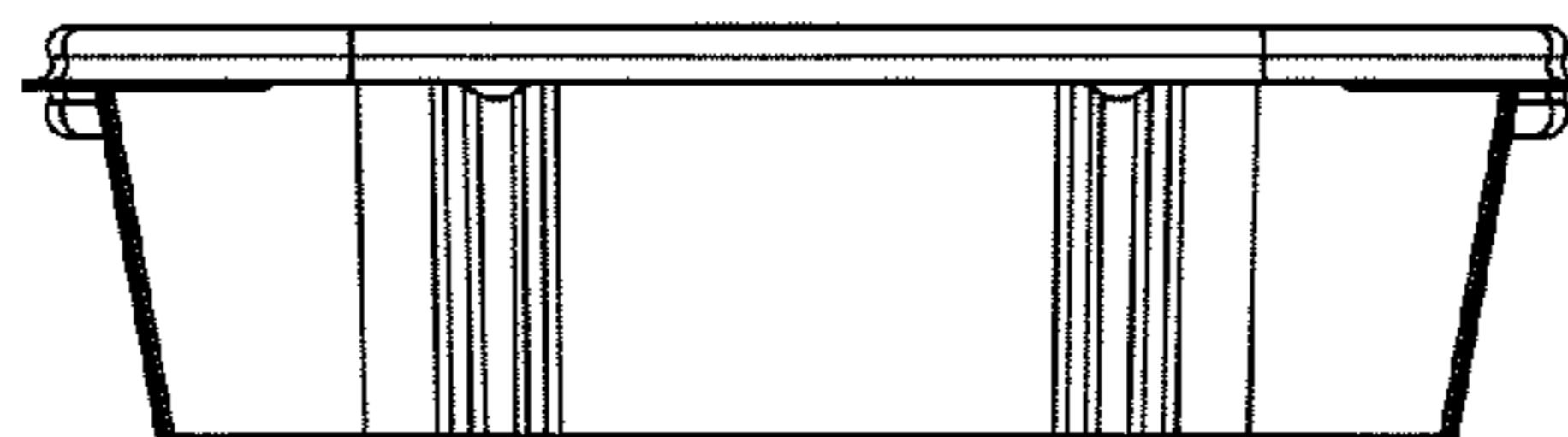


Fig. 16