



US00D685627S

(12) **United States Design Patent**  
**Beamer et al.**

(10) **Patent No.:** **US D685,627 S**  
(45) **Date of Patent:** **\*\* Jul. 9, 2013**

- (54) **SNOW AND ICE GUARD FOR A ROOF**
- (76) Inventors: **Richard W. Beamer**, Yadkinville, NC (US); **Bradley Shane Hill**, Cana, VA (US)
- (\*\*) Term: **14 Years**
- (21) Appl. No.: **29/432,256**
- (22) Filed: **Sep. 14, 2012**
- (51) **LOC (9) Cl.** ..... **08-99**
- (52) **U.S. Cl.**  
USPC ..... **D8/499**
- (58) **Field of Classification Search**  
USPC ..... D8/400-499; D25/199; 52/24-26, 52/545, 533, 98; D23/407, 408; D19/34.1-34.4; D7/631-634, 672, 675, 699  
See application file for complete search history.

- (56) **References Cited**  
  
U.S. PATENT DOCUMENTS  
58,411 A 10/1866 Hathorn  
595,295 A \* 12/1897 Fox et al. .... 52/24  
D65,038 S \* 6/1924 Scalabrino ..... D19/34.4  
D93,971 S \* 12/1934 Clark ..... D8/402  
D610,444 S \* 2/2010 Fisher ..... D8/499  
D658,491 S \* 5/2012 Raber ..... D8/499

- OTHER PUBLICATIONS**  
Design U.S. Appl. No. 29/432,260, filed Sep. 14, 2012.  
Design U.S. Appl. No. 29/432,261, filed Sep. 14, 2012.  
Design U.S. Appl. No. 29/432,265, filed Sep. 14, 2012.

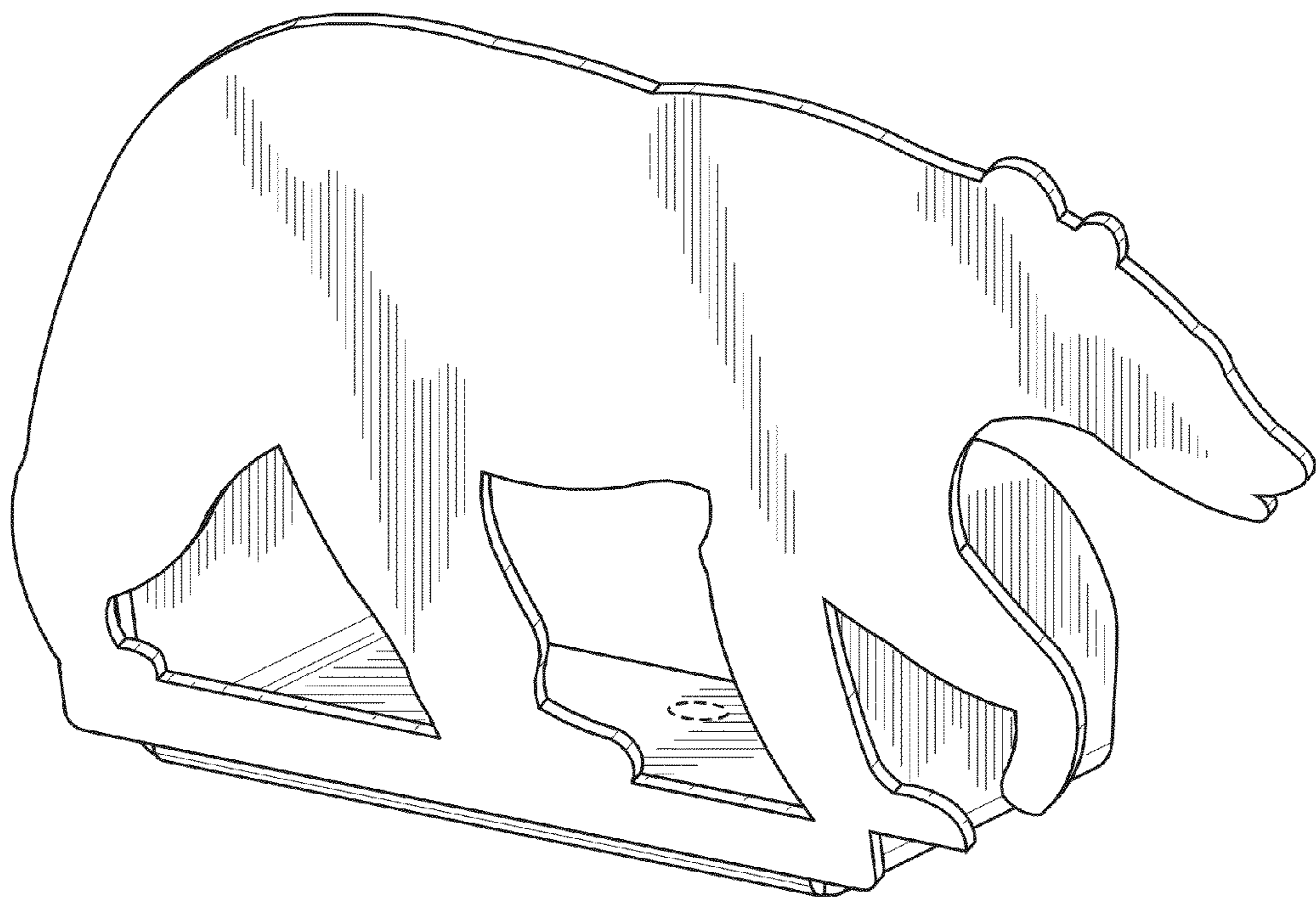
\* cited by examiner

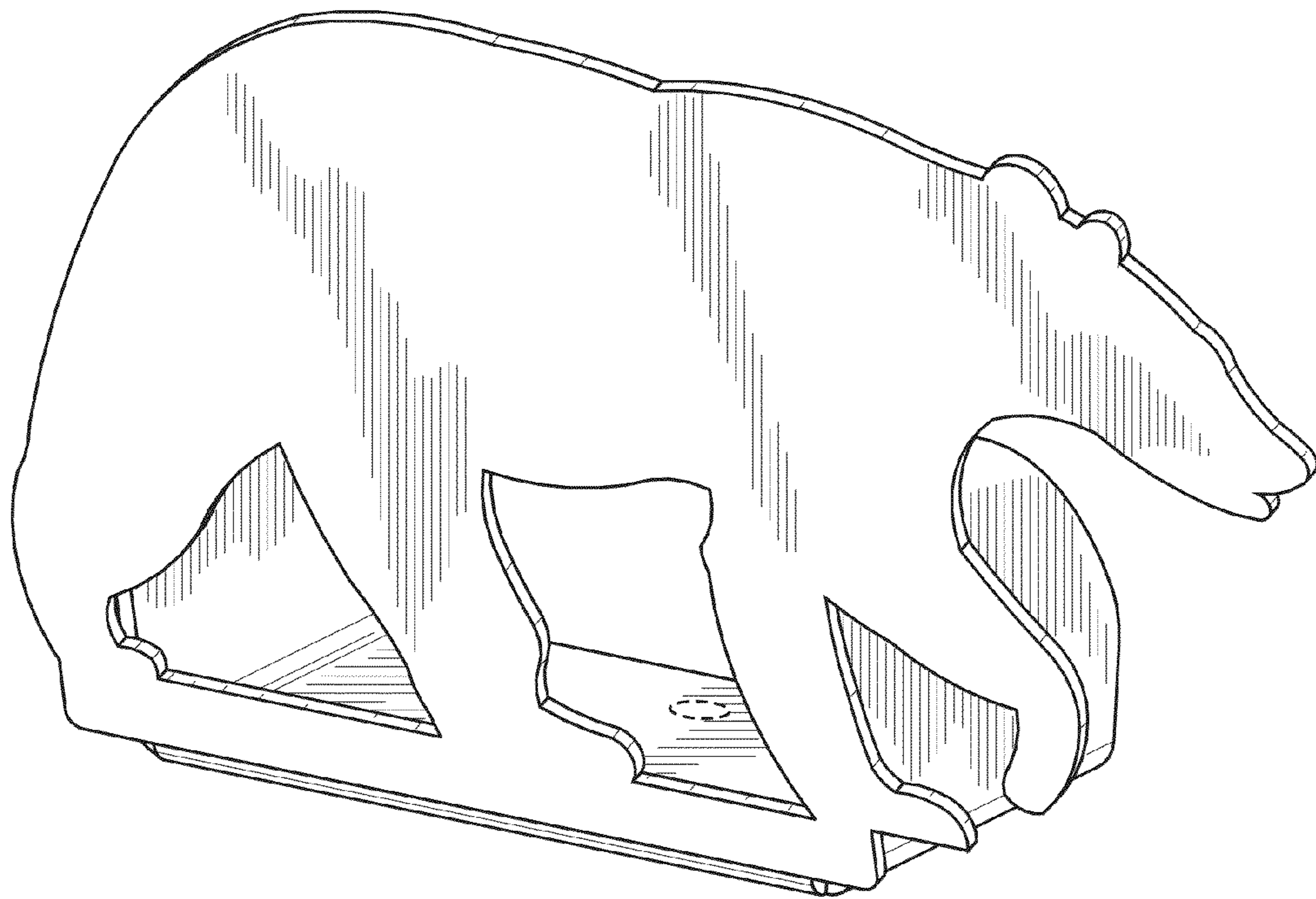
*Primary Examiner* — Susan Bennett Hattan  
*Assistant Examiner* — Janice Hallmark  
(74) *Attorney, Agent, or Firm* — Olive Law Group, PLLC

(57) **CLAIM**  
We claim the ornamental design for a snow and ice guard for a roof, as shown and described.

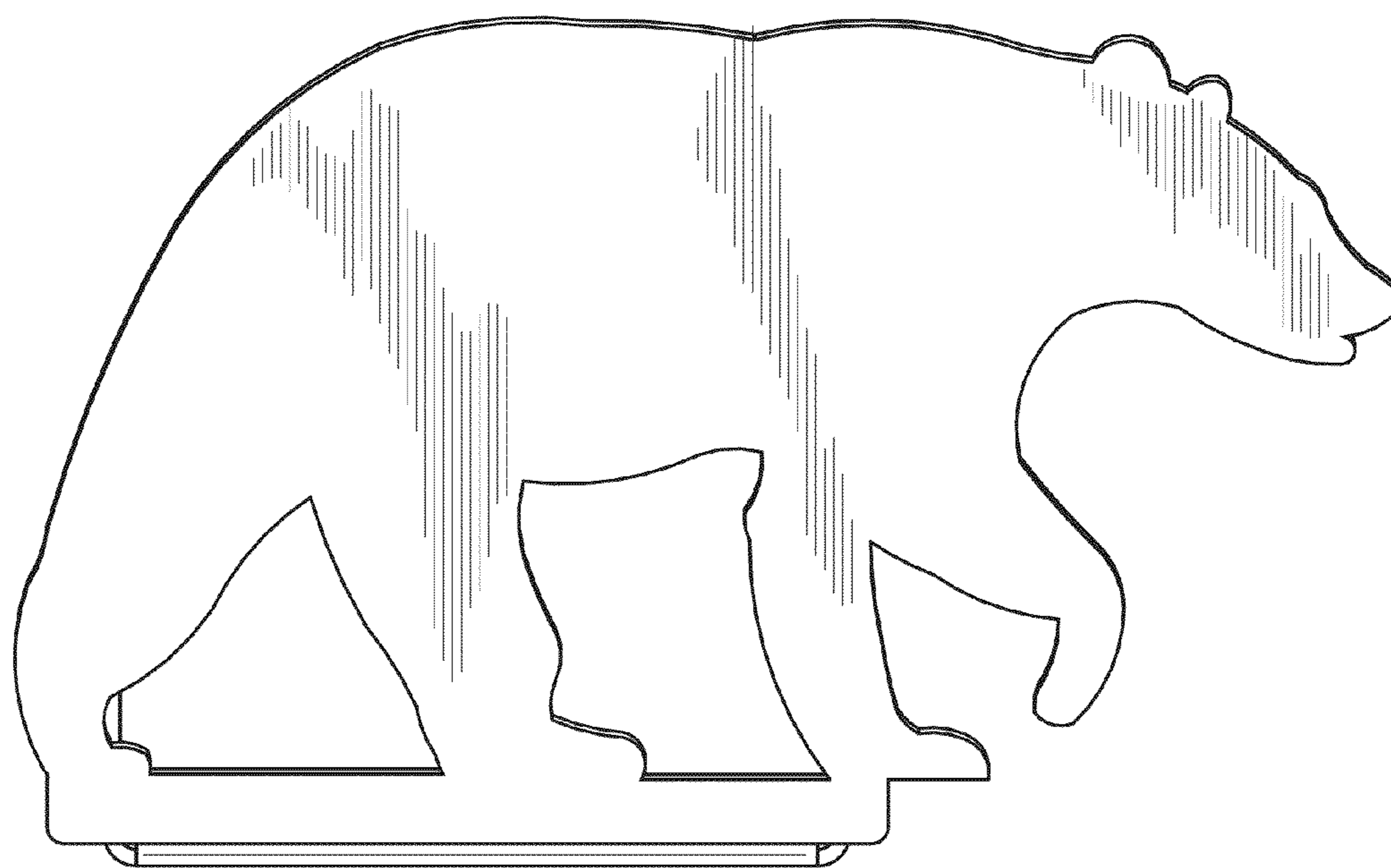
**DESCRIPTION**  
  
FIG. 1 is a perspective view of the snow and ice guard for a roof according to the invention;  
FIG. 2 is a front view of the snow and ice guard for a roof according to the invention;  
FIG. 3 is a back view of the snow and ice guard for a roof according to the invention;  
FIG. 4 is a side view of the snow and ice guard for a roof according to the invention;  
FIG. 5 is a side view opposing the side view of FIG. 4 of the snow and ice guard for a roof according to the invention;  
FIG. 6 is a top view of the snow and ice guard for a roof according to the invention; and,  
FIG. 7 is a bottom view of the snow and ice guard for a roof according to the invention.  
The broken lines in the drawings depict environmental subject matter only and form no part of the claimed design.

**1 Claim, 7 Drawing Sheets**

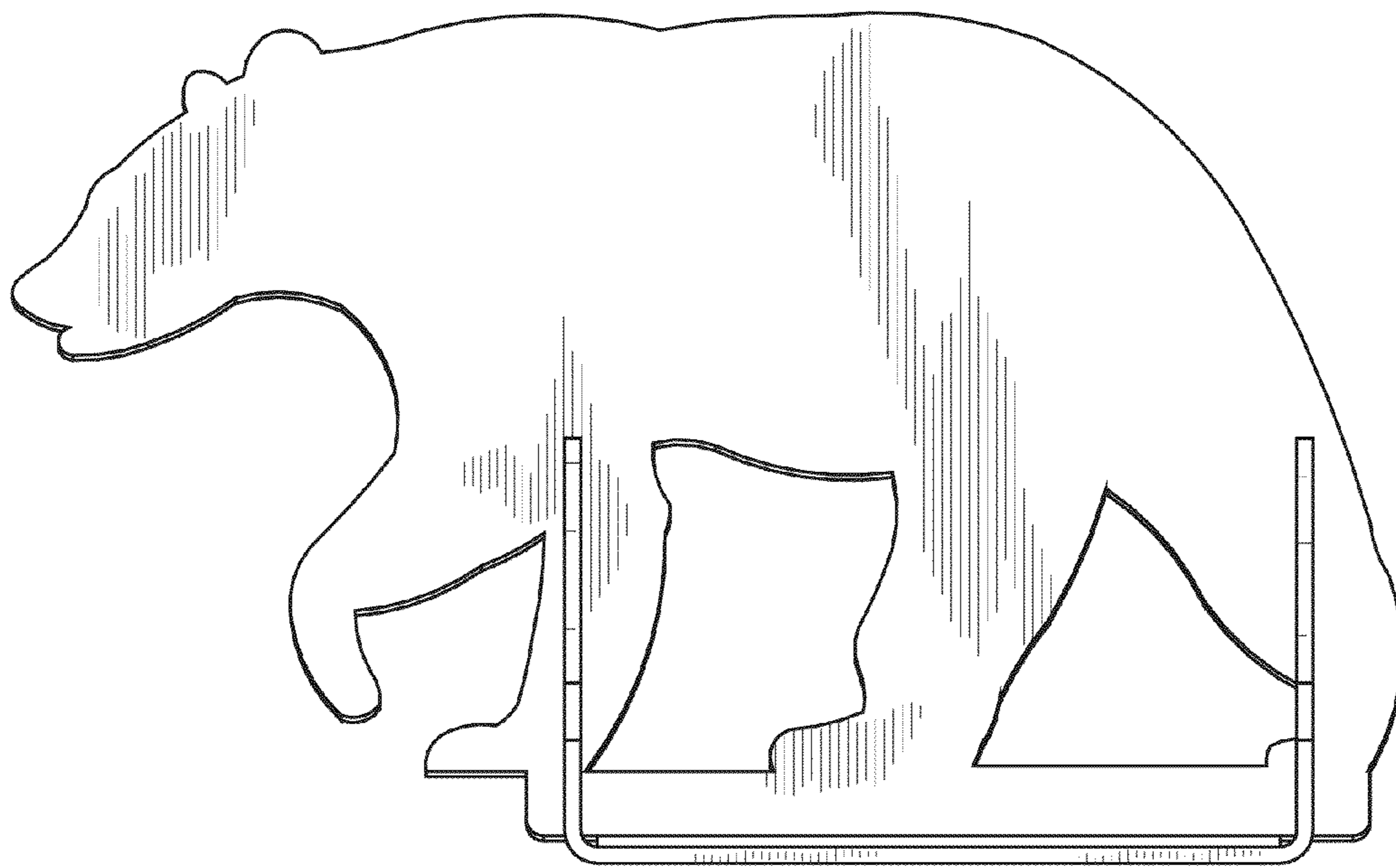




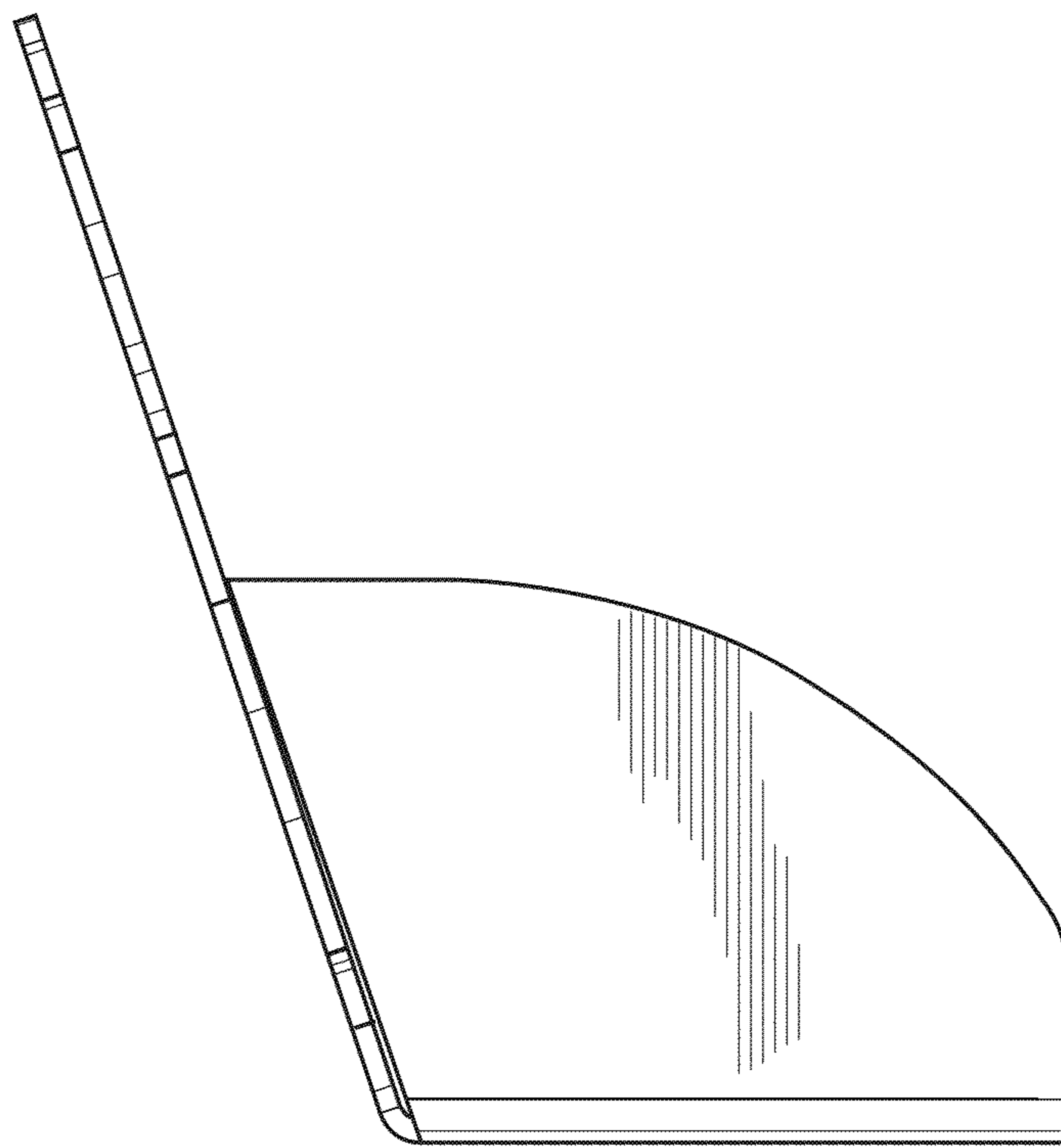
**FIG. 1**



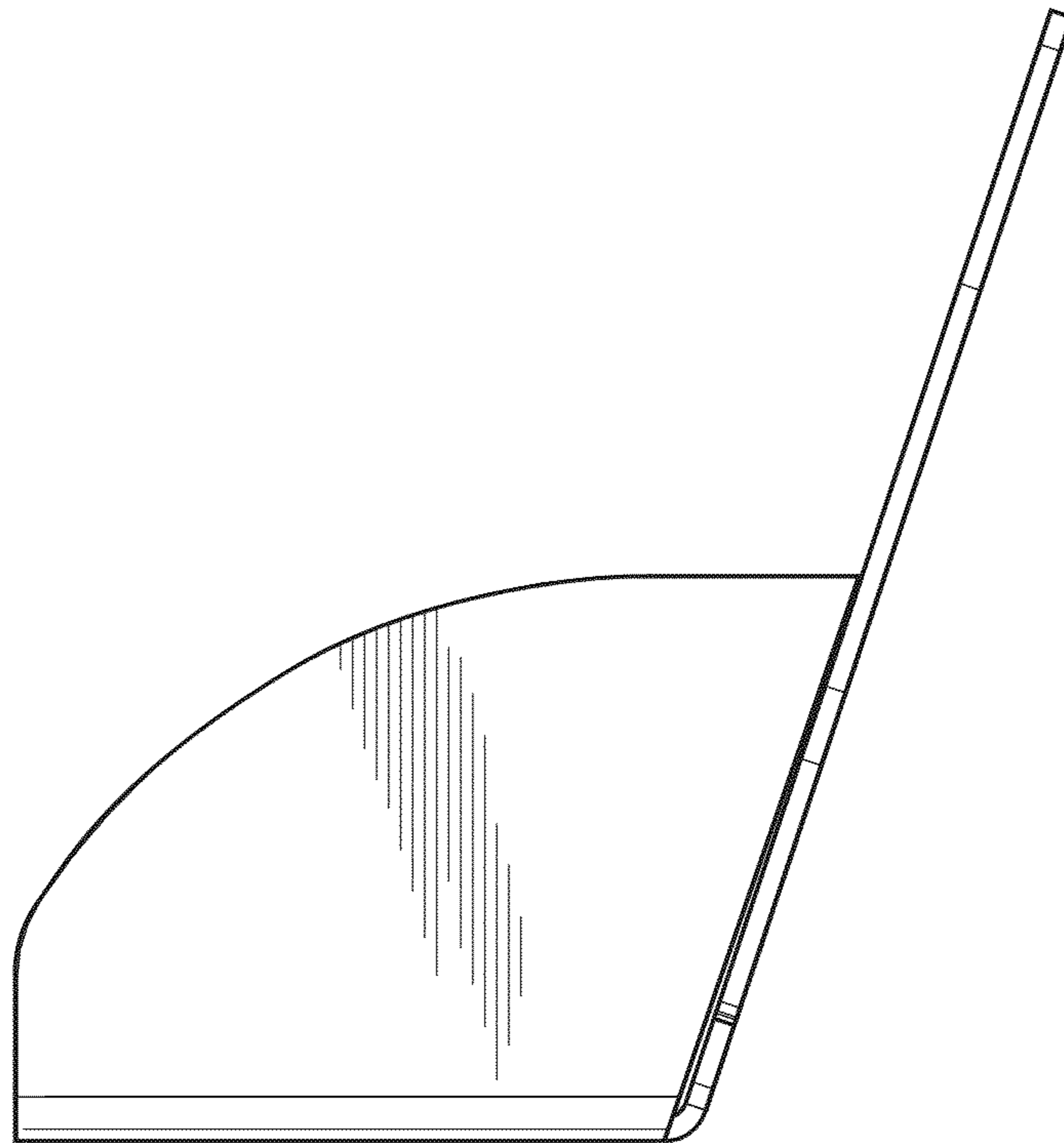
**FIG. 2**



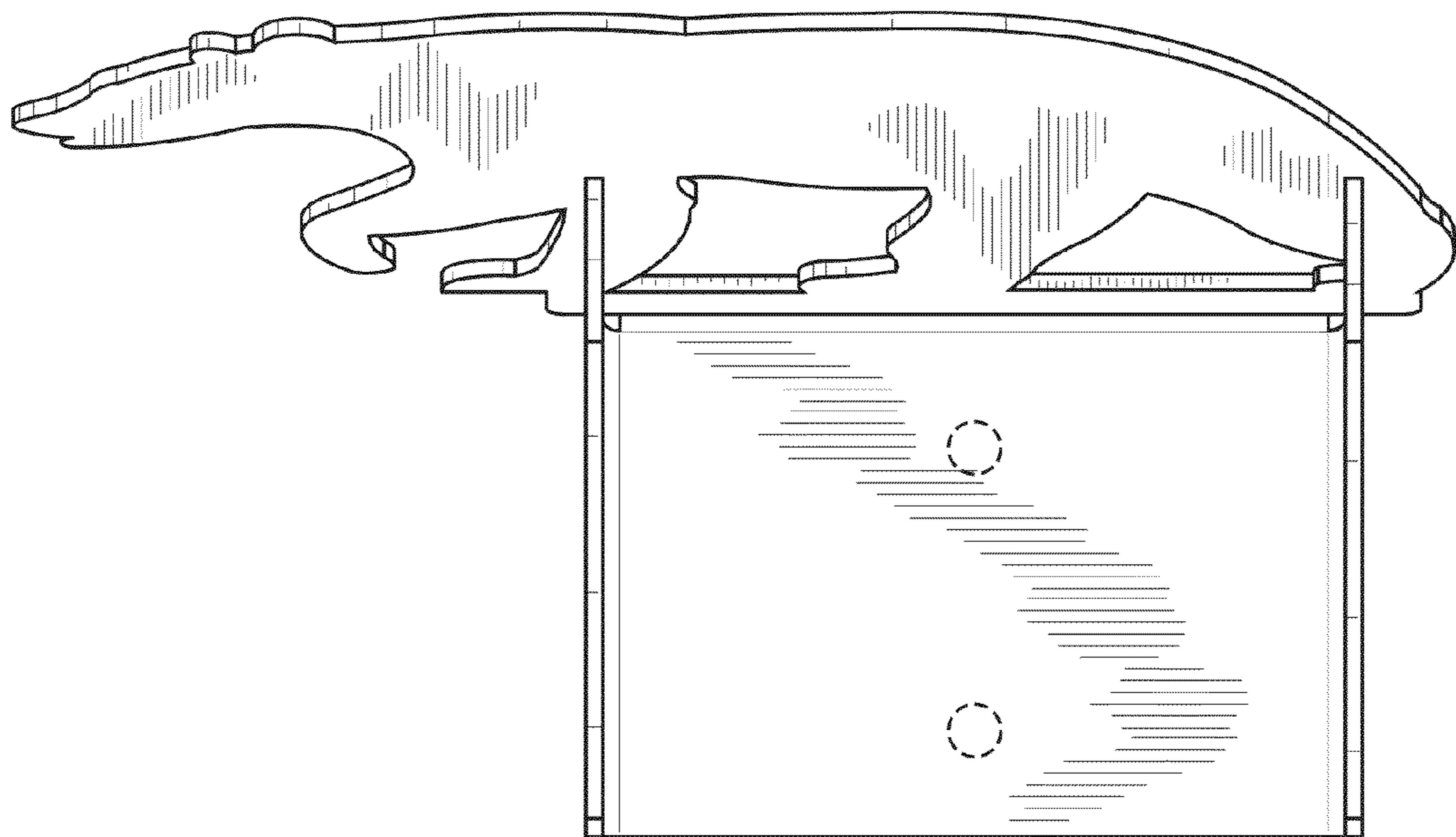
**FIG. 3**



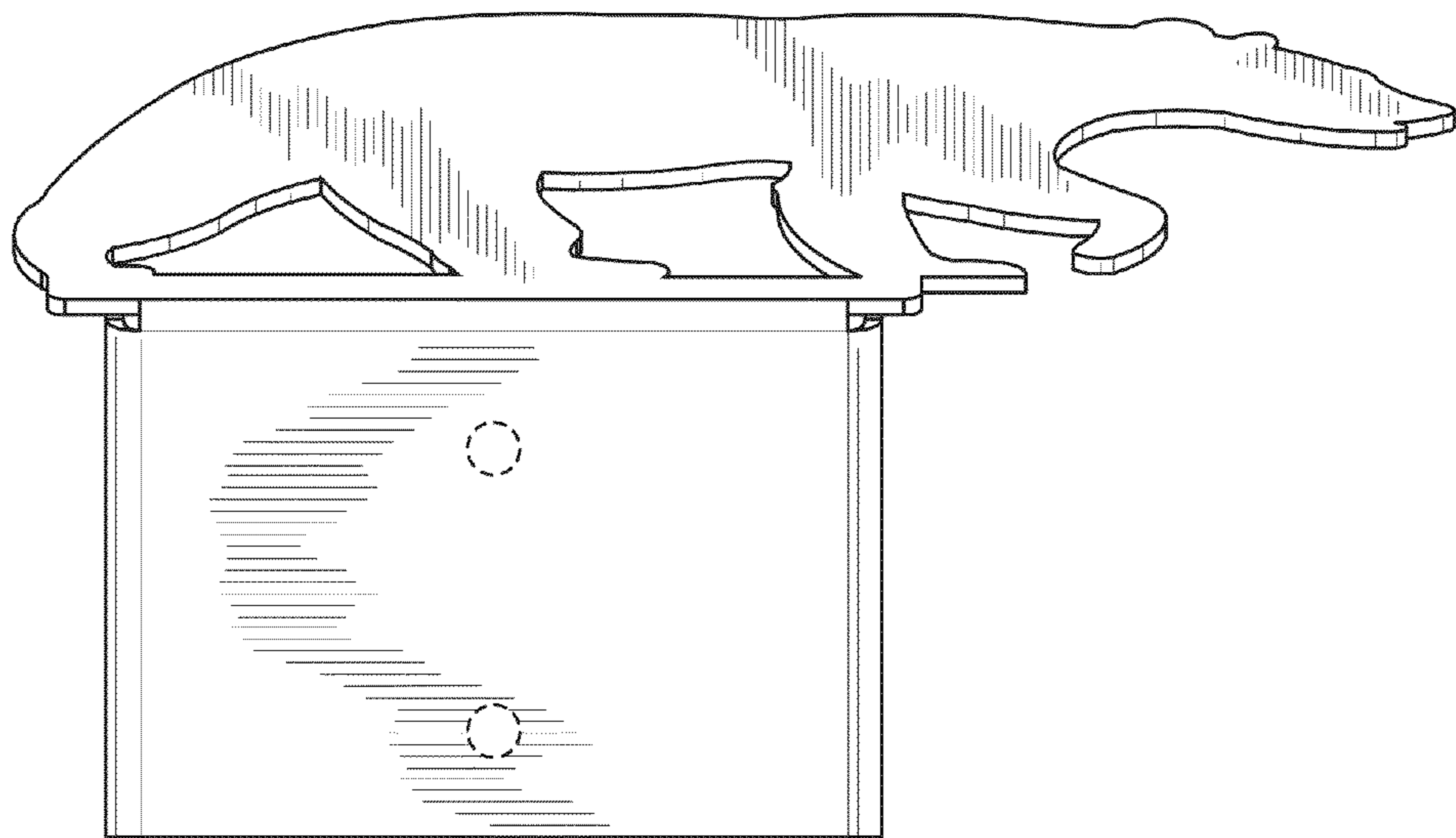
**FIG. 4**



**FIG. 5**



**FIG. 6**



**FIG. 7**