



US00D685626S

(12) **United States Design Patent**
Komeno et al.

(10) **Patent No.:** **US D685,626 S**
(45) **Date of Patent:** **** Jul. 9, 2013**

(54) **CLIP**

(71) Applicant: **Daiwa Kasei Kogyo Kabushiki Kaisha,**
Okazaki (JP)

(72) Inventors: **Jun Komeno,** Okazaki (JP); **Takahiro**
Sugiyama, Okazaki (JP); **Toshio**
Iwahara, Okazaki (JP)

(73) Assignee: **Daiwa Kasei Kogyo Kabushiki Kaisha,**
Okazaki-Shi, Aichi-Ken (JP)

(**) Term: **14 Years**

(21) Appl. No.: **29/433,979**

(22) Filed: **Oct. 8, 2012**

Related U.S. Application Data

(62) Division of application No. 29/411,901, filed on Jan.
27, 2012.

Foreign Application Priority Data

Jul. 27, 2011 (JP) 2011-017237
Jul. 27, 2011 (JP) 2011-017238
Jul. 27, 2011 (JP) 2011/017239

(51) **LOC (9) Cl.** **08-05**

(52) **U.S. Cl.**
USPC **D8/356**

(58) **Field of Classification Search**

USPC D8/367, 356, 371, 373, 354, 355,
D8/349, 395, 394, 382, 499; D6/323; D3/24;
248/215, 301, 339, 349.1; 160/349.2; 24/265 H,
24/265 R, 599.1, 599.8, 113 R, 573.5, 297,
24/453; 294/82.18; 29/525.1, 45.3; 223/106;
D14/432, 140, 217; 411/508

See application file for complete search history.

(56) **References Cited**

U.S. PATENT DOCUMENTS

2,069,691	A *	2/1937	Wilson et al.	24/27
2,453,980	A *	11/1948	Hartman	248/68.1
D194,869	S *	3/1963	Stall	D8/373
D329,194	S *	9/1992	Gillooly	D8/356
5,207,403	A *	5/1993	Penniman	248/215
D421,709	S *	3/2000	Haslem et al.	D8/354
6,074,150	A *	6/2000	Shinozaki et al.	411/508
6,317,937	B1 *	11/2001	Ishihara et al.	24/297
D473,448	S *	4/2003	Wu et al.	D8/356
D479,378	S *	9/2003	Simpson	D34/35
6,718,599	B2 *	4/2004	Dickinson et al.	24/295
D494,452	S *	8/2004	Sheldon et al.	D8/367
7,120,971	B2 *	10/2006	Osterland et al.	24/295
D538,137	S *	3/2007	Dukes	D8/356
D556,021	S *	11/2007	Sexton	D8/356
D570,203	S *	6/2008	Shiomoto	D8/395

(Continued)

Primary Examiner — Cynthia Underwood

(74) *Attorney, Agent, or Firm* — Ladas & Parry, LLP

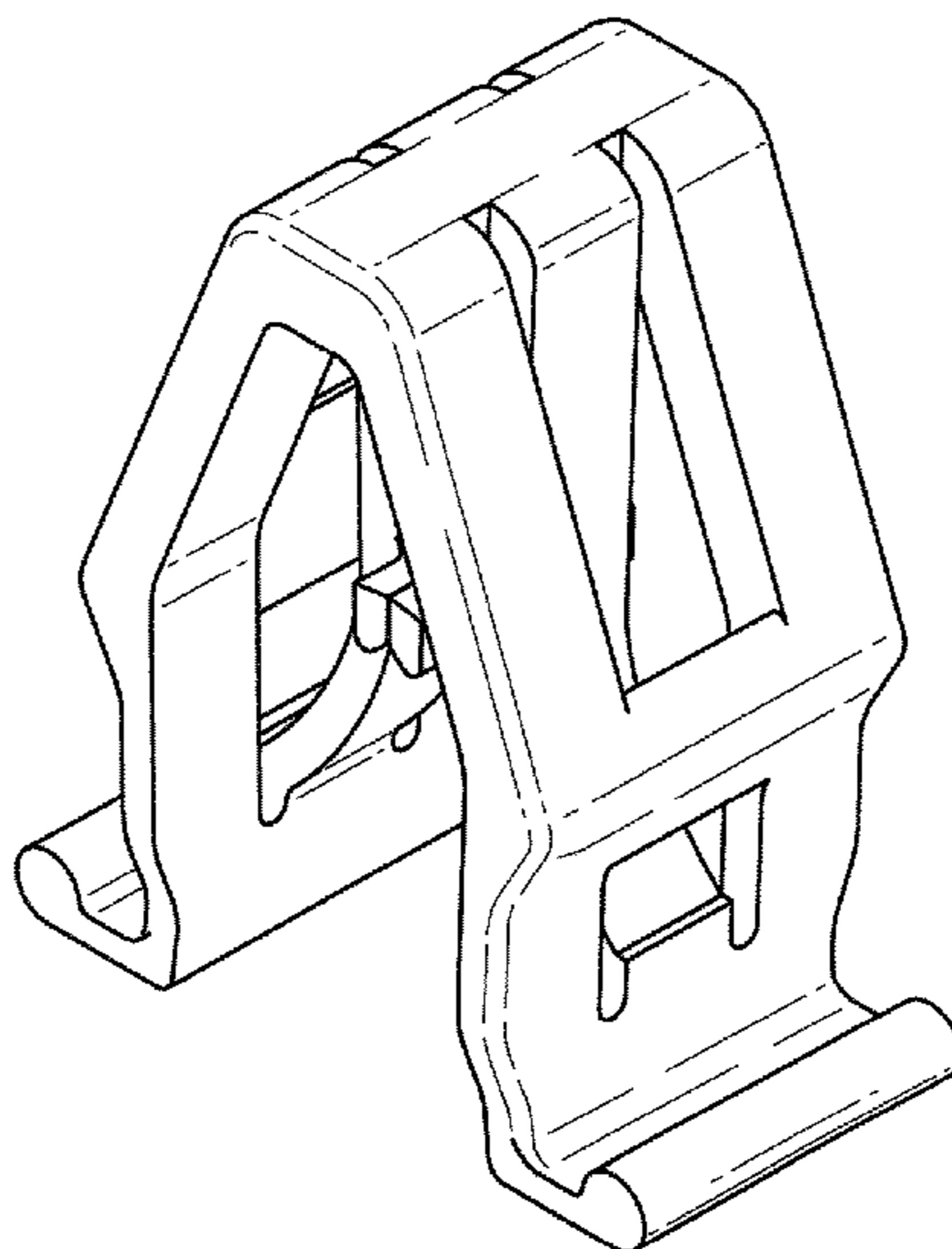
(57) **CLAIM**

The ornamental design for a clip, as shown and described.

DESCRIPTION

FIG. 1 is a perspective view viewed from top side of a clip showing our new design;
FIG. 2 is a perspective view viewed from bottom side thereof;
FIG. 3 is a front elevation view thereof;
FIG. 4 is a right side elevation view thereof;
FIG. 5 is a top plan view thereof;
FIG. 6 is a bottom plan view thereof;
FIG. 7 is a sectional view taken along line 7-7 in FIG. 3;
FIG. 8 is a sectional view taken along line 8-8 in FIG. 4; and,
FIG. 9 is a perspective view shown in an environment of use shown at a reduced scale for ease of illustration.
The broken lines shown in the drawings represent unclaimed portions of the clip and form no part of the claimed design.

1 Claim, 5 Drawing Sheets



US D685,626 S

Page 2

U.S. PATENT DOCUMENTS

D572,129	S	*	7/2008	Keays	D8/395	2002/0194710	A1*	12/2002	Dickinson et al.	24/295
7,475,934	B2	*	1/2009	Sato et al.	296/146.7	2004/0083582	A1*	5/2004	Dickinson et al.	24/295
7,496,994	B1	*	3/2009	Headley	24/303	2004/0096272	A1*	5/2004	Dickinson et al.	403/397
D647,389	S	*	10/2011	Gracia	D8/367	2005/0076602	A1*	4/2005	Routhier	52/698
D658,974	S	*	5/2012	Komeno	D8/356	2005/0105987	A1*	5/2005	Giugliano et al.	411/508
D674,685	S	*	1/2013	Dixon	D8/395	2005/0217082	A1*	10/2005	Vassiliou	24/294

* cited by examiner

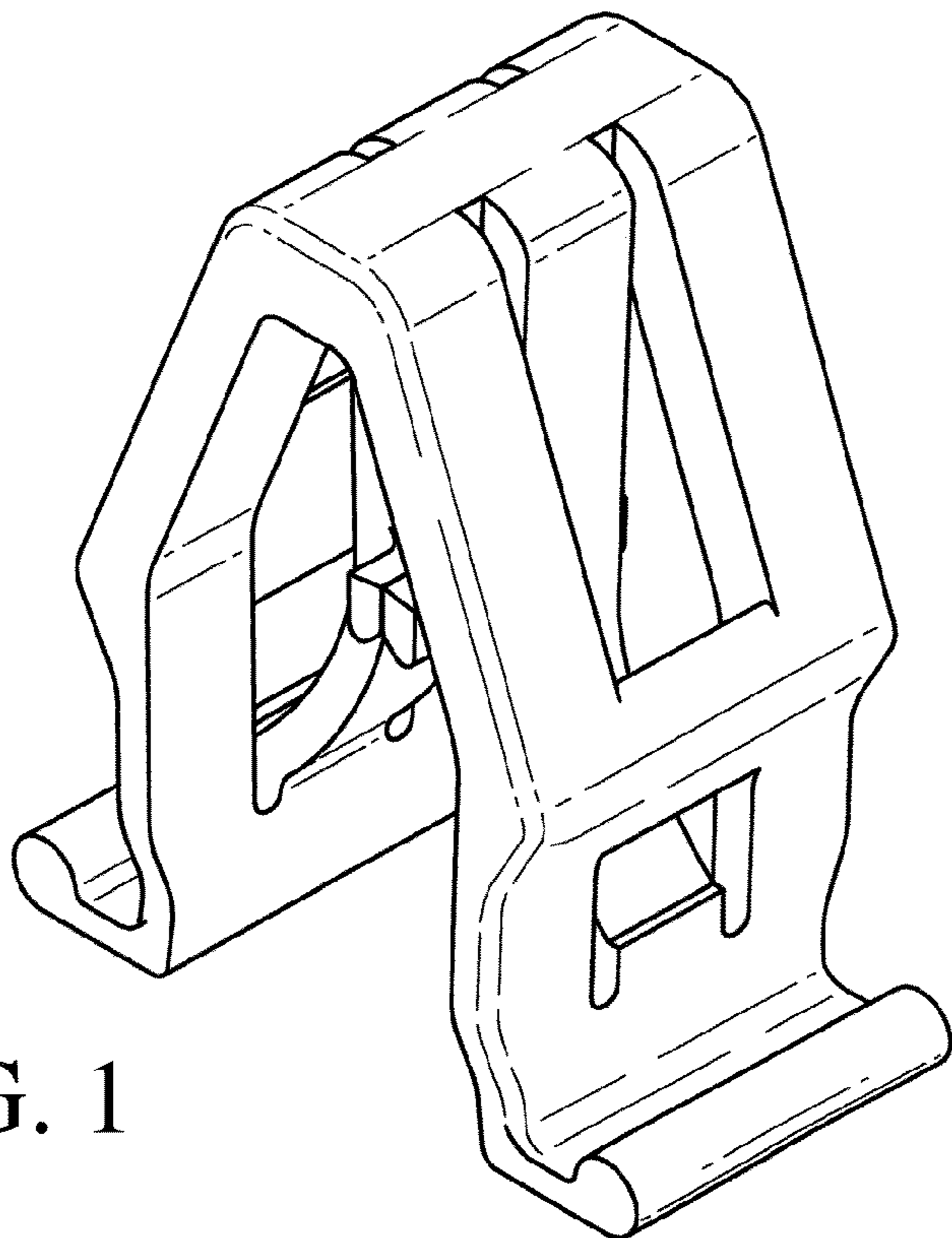


FIG. 1

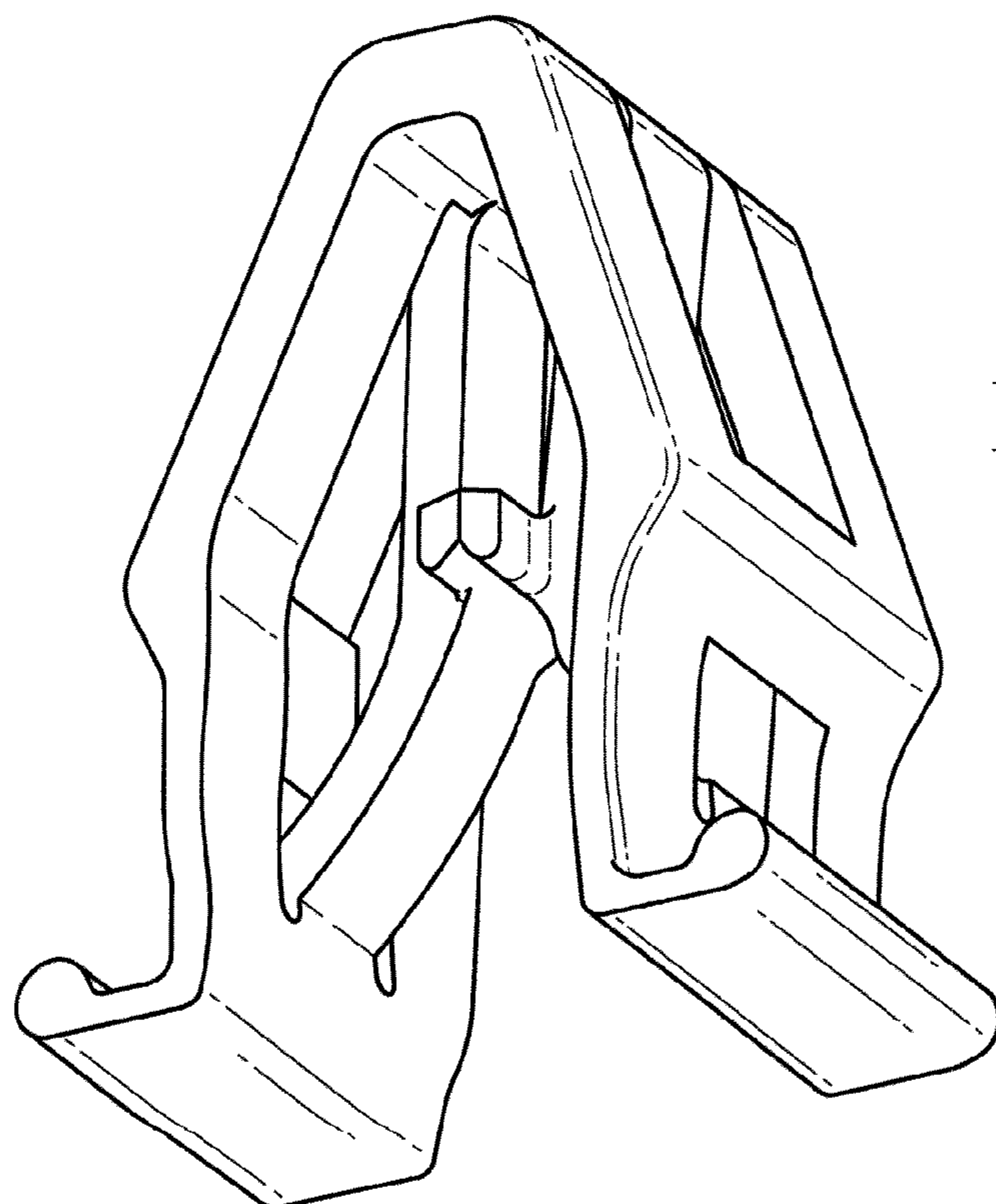


FIG. 2

FIG. 3

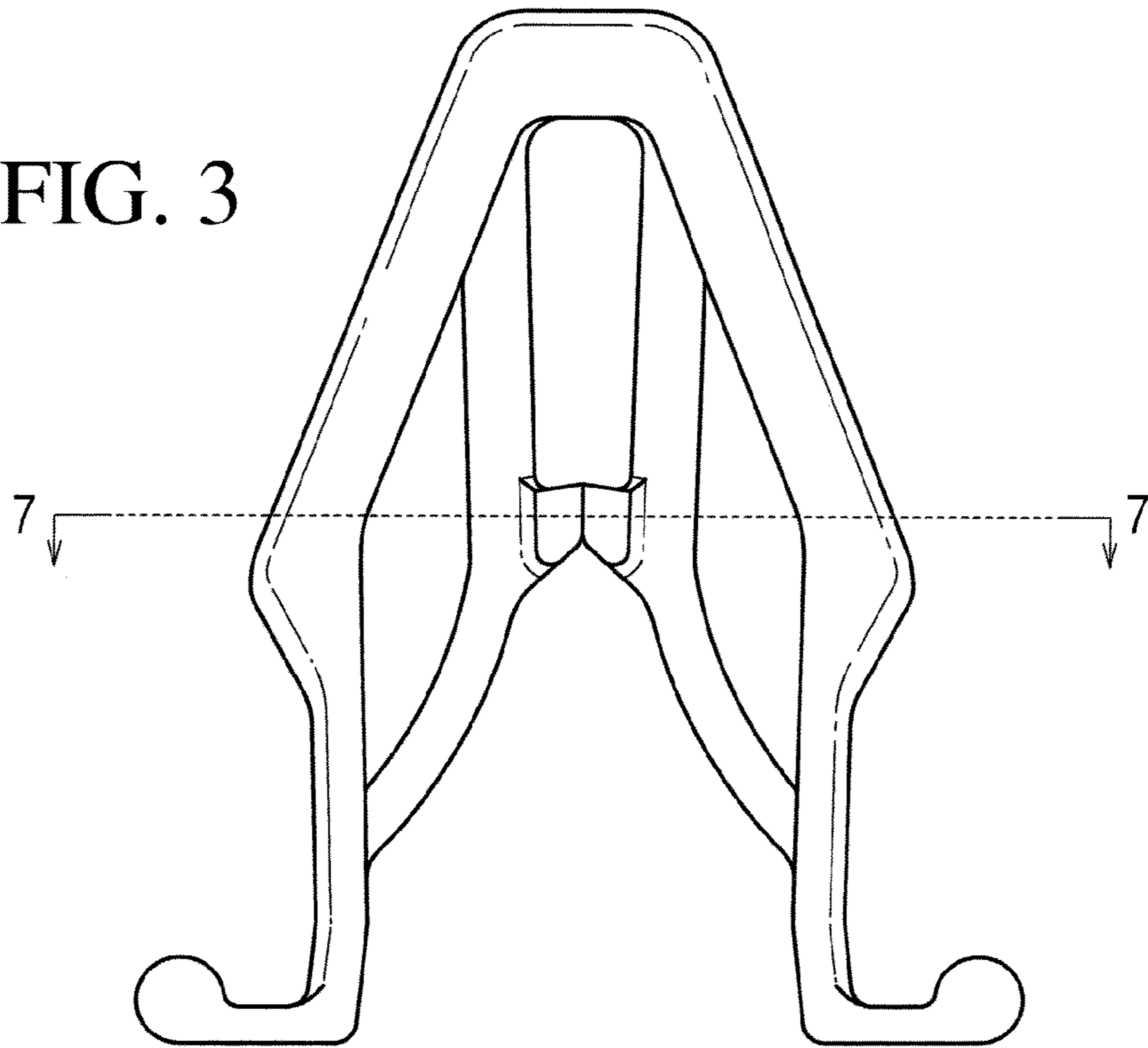
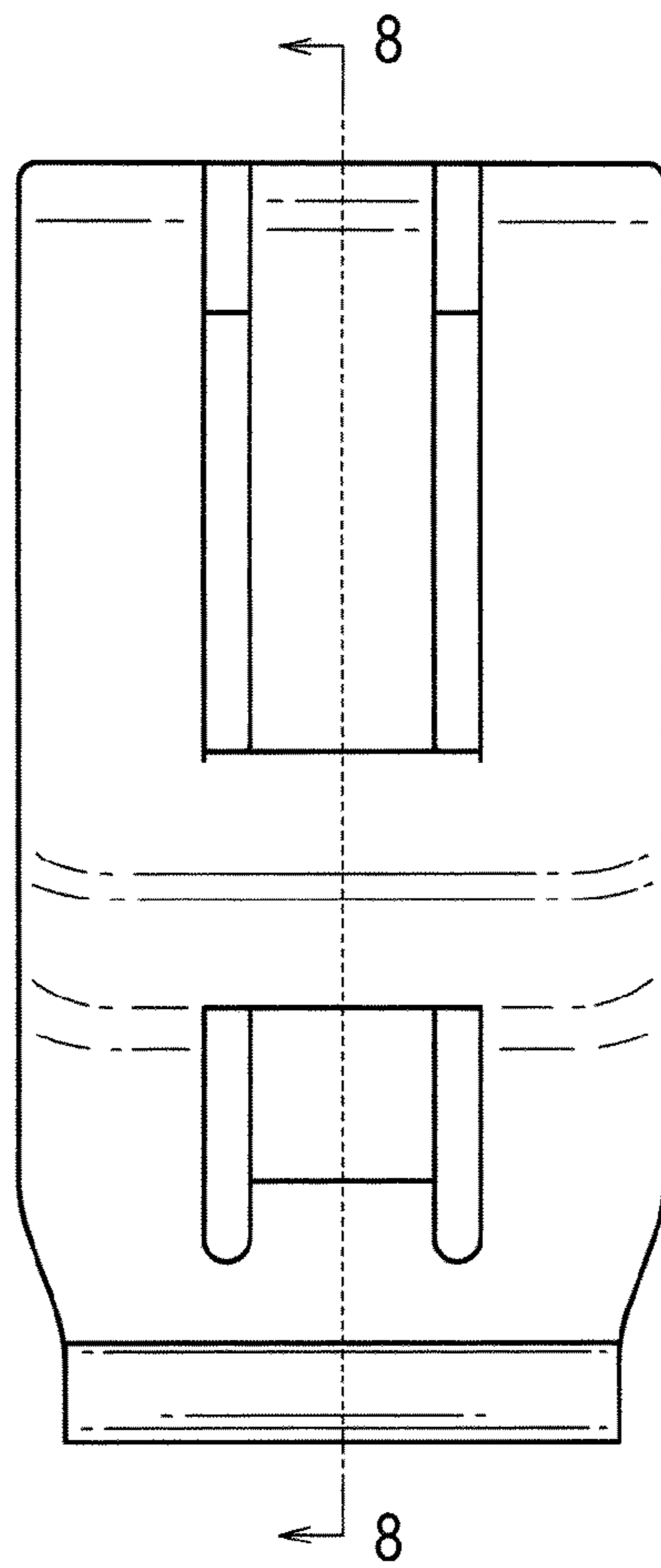


FIG. 4



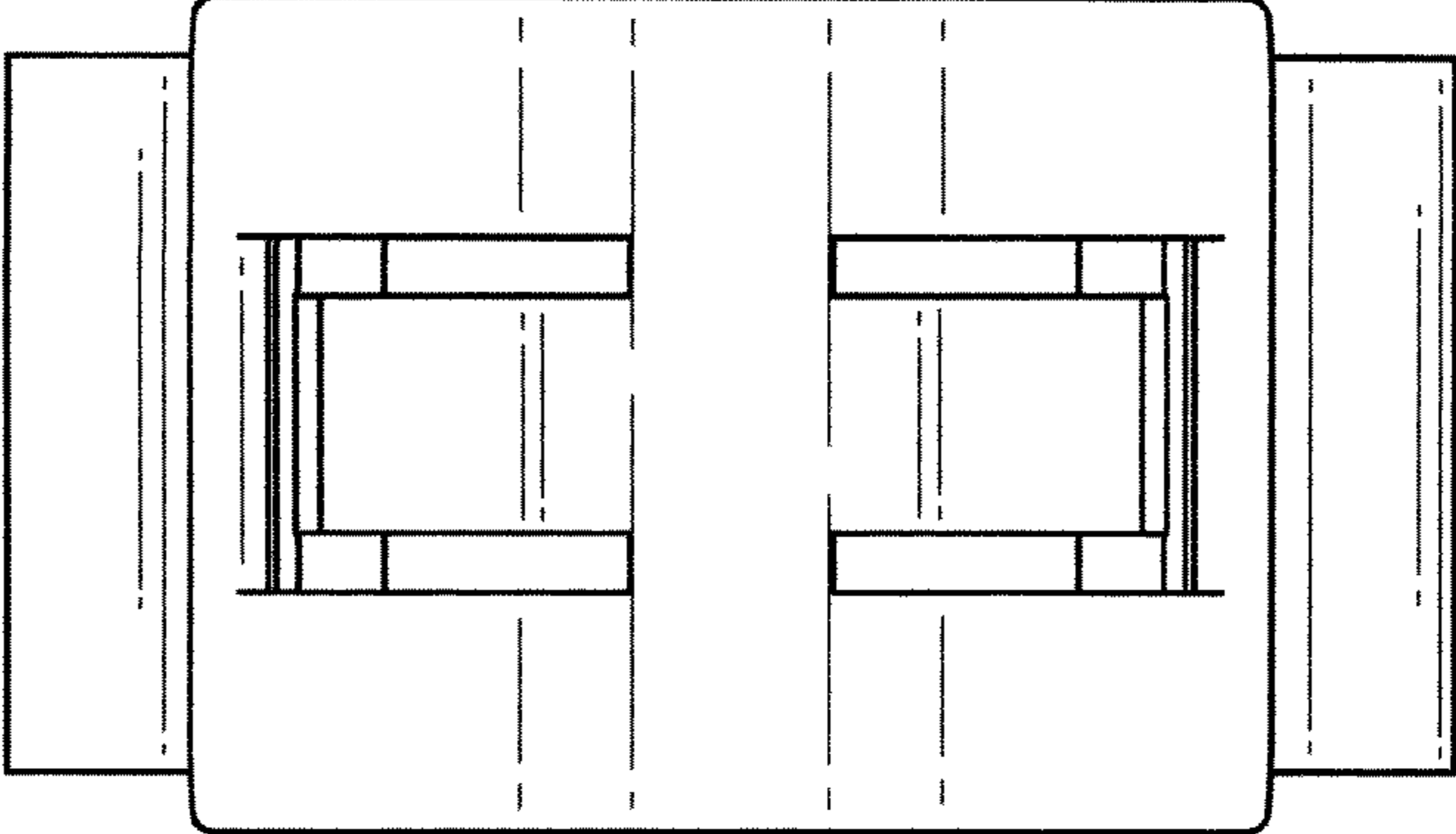


FIG. 5

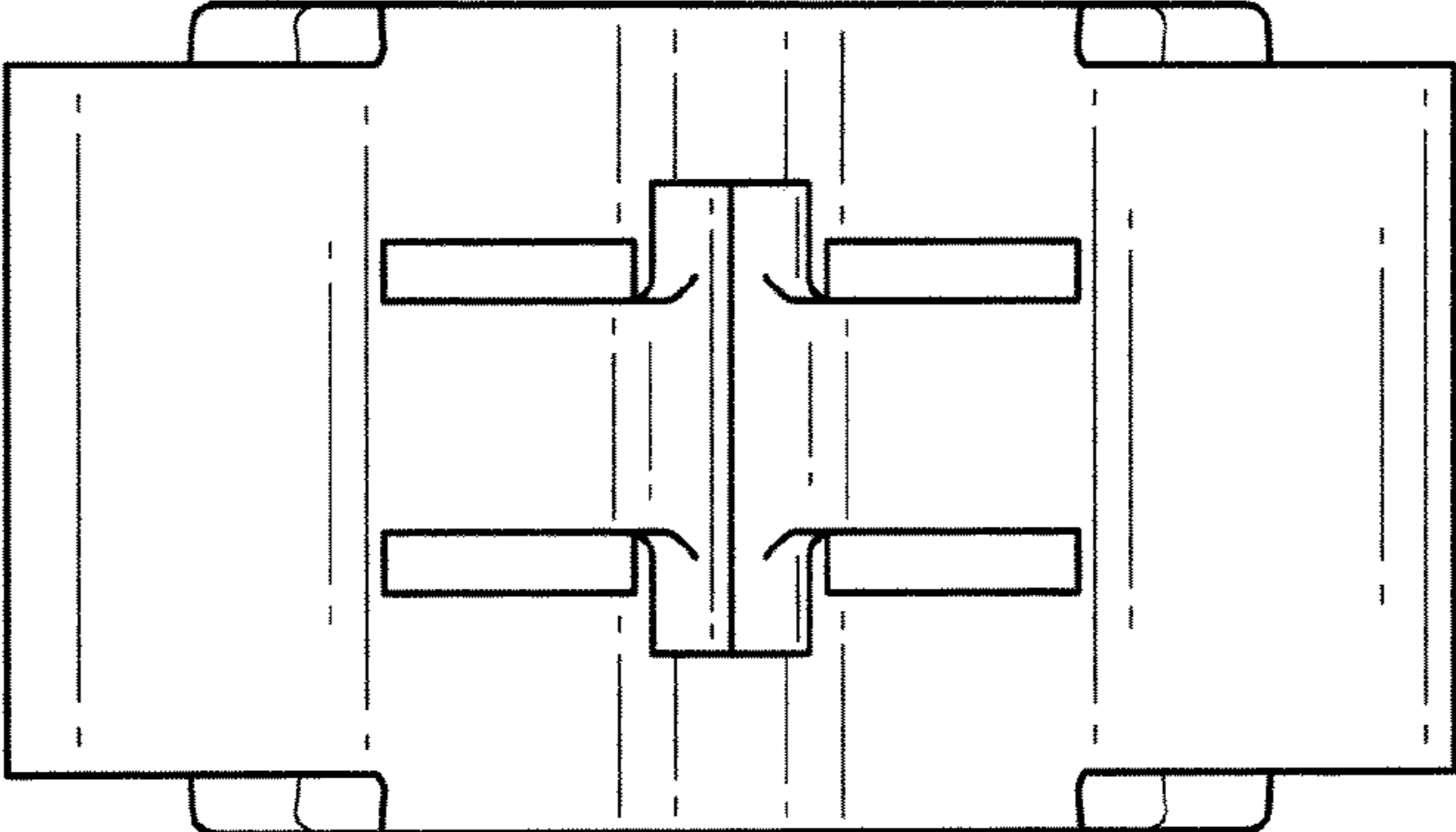


FIG. 6

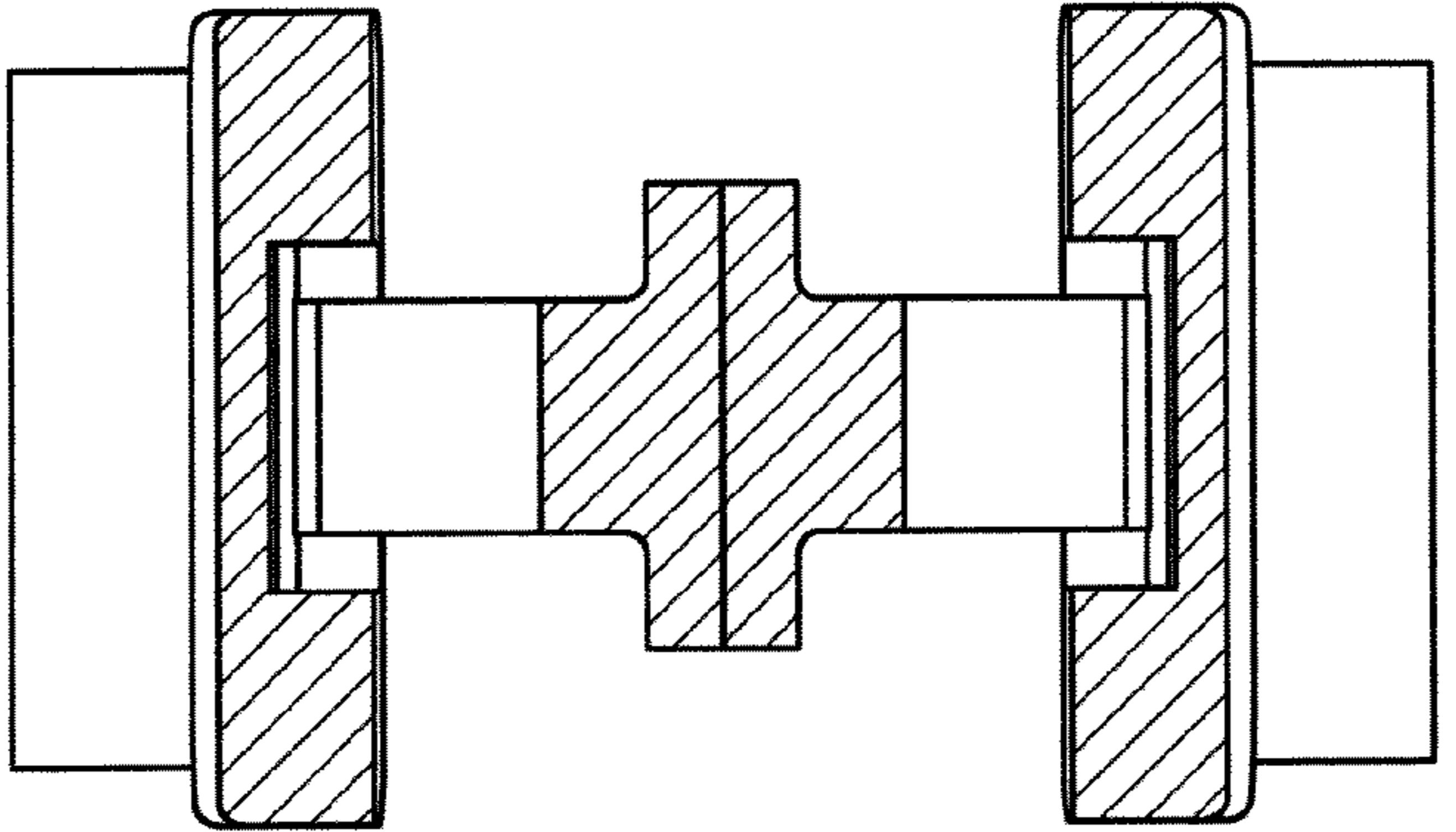


FIG. 7

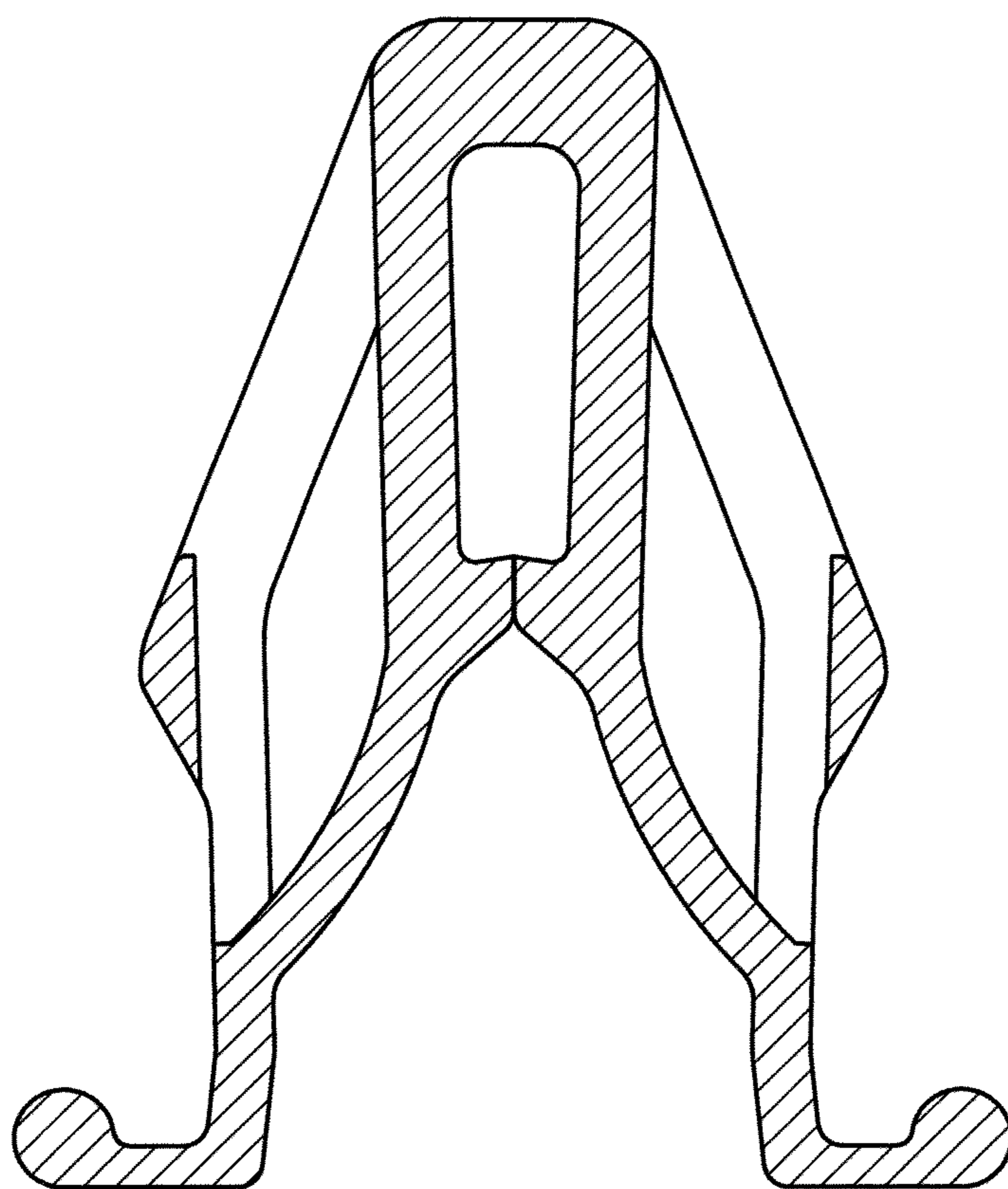


FIG. 8

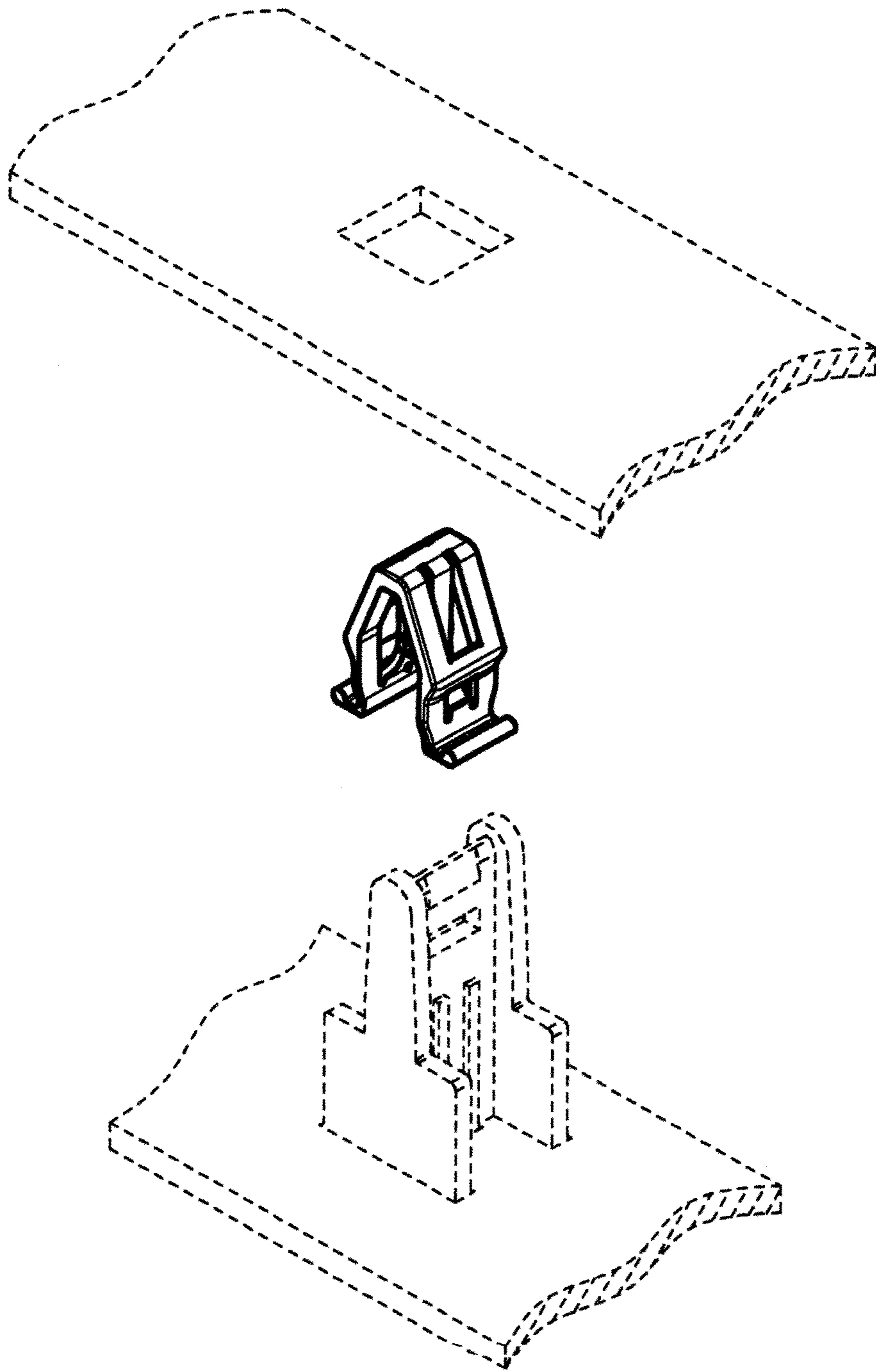


FIG. 9