



US00D685623S

(12) **United States Design Patent**
Lewis

(10) **Patent No.:** **US D685,623 S**

(45) **Date of Patent:** **** Jul. 9, 2013**

(54) **CAM LOCK**

(76) Inventor: **Charles E. Lewis**, Keytesville, MO (US)

(**) Term: **14 Years**

(21) Appl. No.: **29/395,540**

(22) Filed: **Feb. 10, 2012**

(51) **LOC (9) Cl.** **08-07**

(52) **U.S. Cl.**
USPC **D8/336**; D8/331; D8/343

(58) **Field of Classification Search**
USPC D8/330, 331, 343, 339, 349, 341,
D8/336; 70/107-111, 114, 118, 141, 488,
70/162, 49, 37, 83, 185, 140, 197, 257; 292/2,
292/32, 63, 137, 174

See application file for complete search history.

(56) **References Cited**

U.S. PATENT DOCUMENTS

4,547,006	A *	10/1985	Castanier	292/37
D291,775	S *	9/1987	Gisiger	D8/341
D347,159	S *	5/1994	Crocker et al.	D8/339
D348,211	S *	6/1994	Crocker et al.	D8/339
D452,810	S *	1/2002	Anderson	D8/339
6,513,356	B1 *	2/2003	Yang	70/213
7,216,900	B2 *	5/2007	Liu et al.	292/98
D551,941	S *	10/2007	Miao et al.	D8/336
7,628,047	B2 *	12/2009	Lee	70/284
8,066,269	B2 *	11/2011	Ivansons et al.	269/152
D654,777	S *	2/2012	Beres et al.	D8/339
8,291,732	B2 *	10/2012	Ramsauer et al.	70/208

* cited by examiner

Primary Examiner — Prabhakar Deshmukh

(74) *Attorney, Agent, or Firm* — Kenneth W. Iles

(57) **CLAIM**

The ornamental design for a cam lock, as shown and described.

DESCRIPTION

FIG. 1 is an isometric view of the cam lock showing my new design in use with a box having a detachable lid with the cam lock shown in an unlocked position;

FIG. 2 is an isometric view of the cam lock showing my new design in use with a box having a detachable lid with the cam lock shown in the locked position holding the lid onto the box; FIG. 3 is a right-front isometric view of the cam lock shown in an unlocked position in isolation as seen in FIG. 1;

FIG. 4 a top view thereof;

FIG. 5 is left-side view thereof;

FIG. 6 is a rear view thereof;

FIG. 7 is a bottom view thereof;

FIG. 8 is a front view thereof

FIG. 9 is an inverted right-side view thereof;

FIG. 10 is a right-front isometric view of the cam lock shown in the locked position in isolation as seen in FIG. 2;

FIG. 11 is a front view thereof;

FIG. 12 is a left-hand side view thereof;

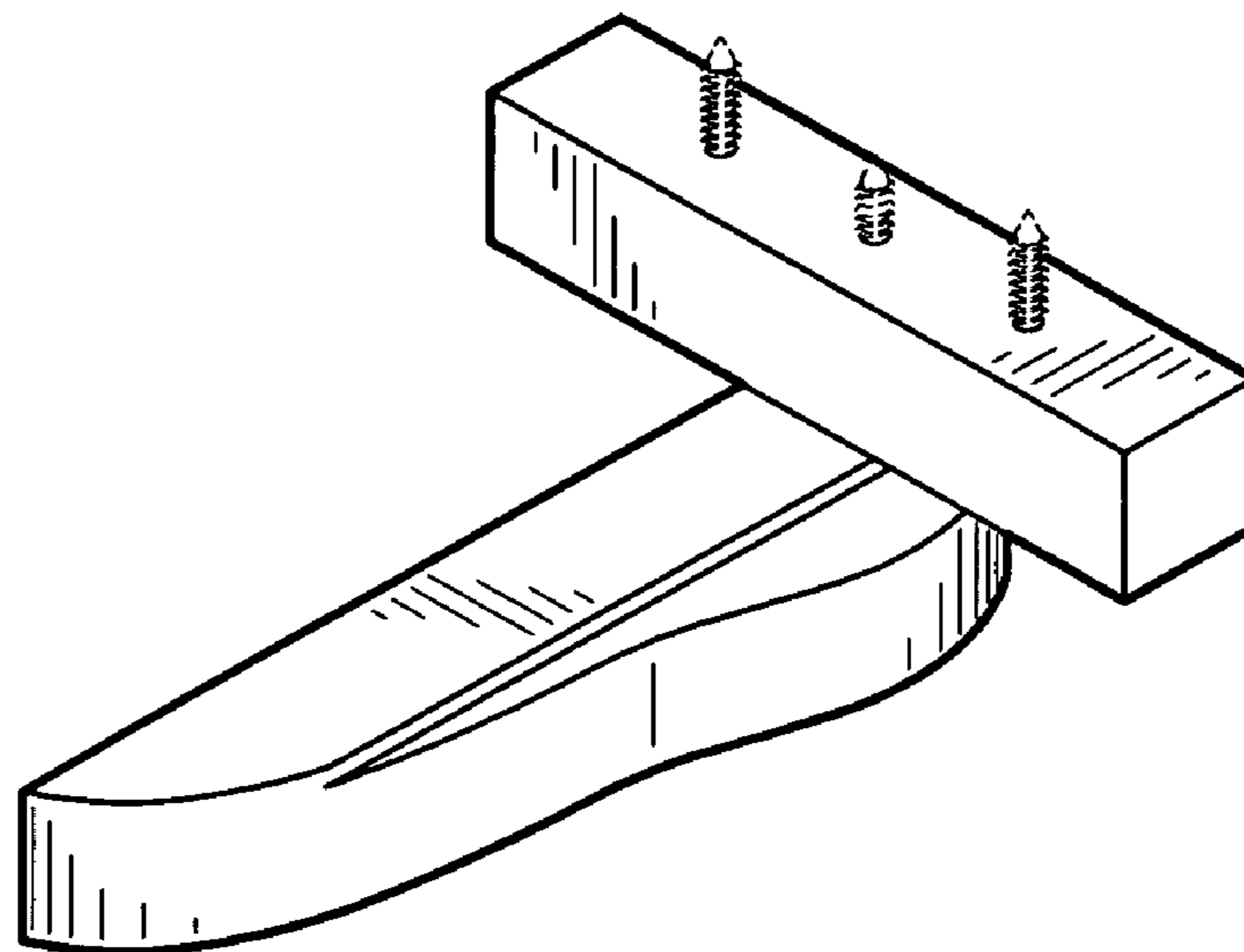
FIG. 13 is a rear view thereof;

FIG. 14 is a right-hand side view thereof;

FIG. 15 is a front view thereof; and,

FIG. 16 is bottom view thereof.

1 Claim, 4 Drawing Sheets



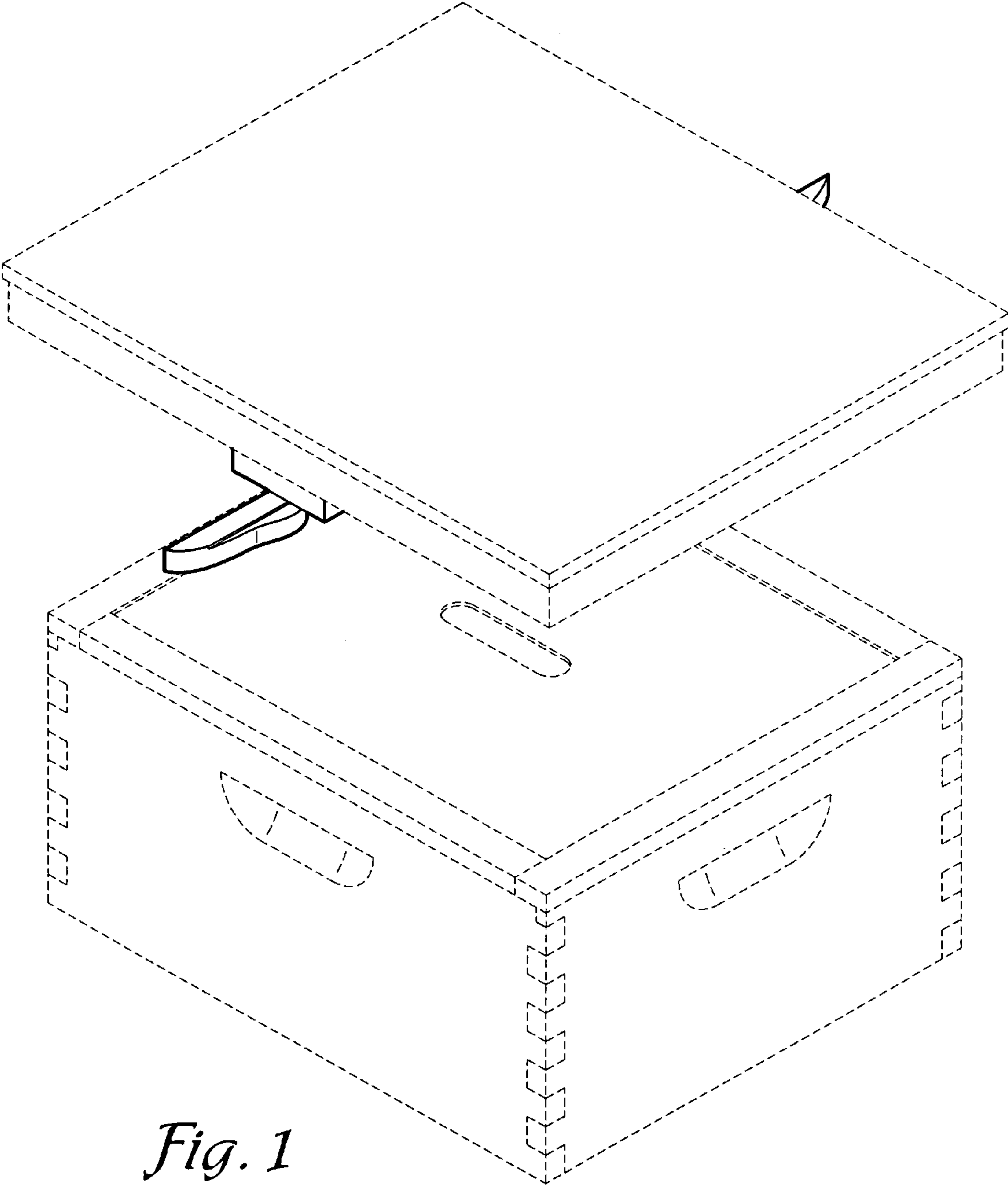


Fig. 1

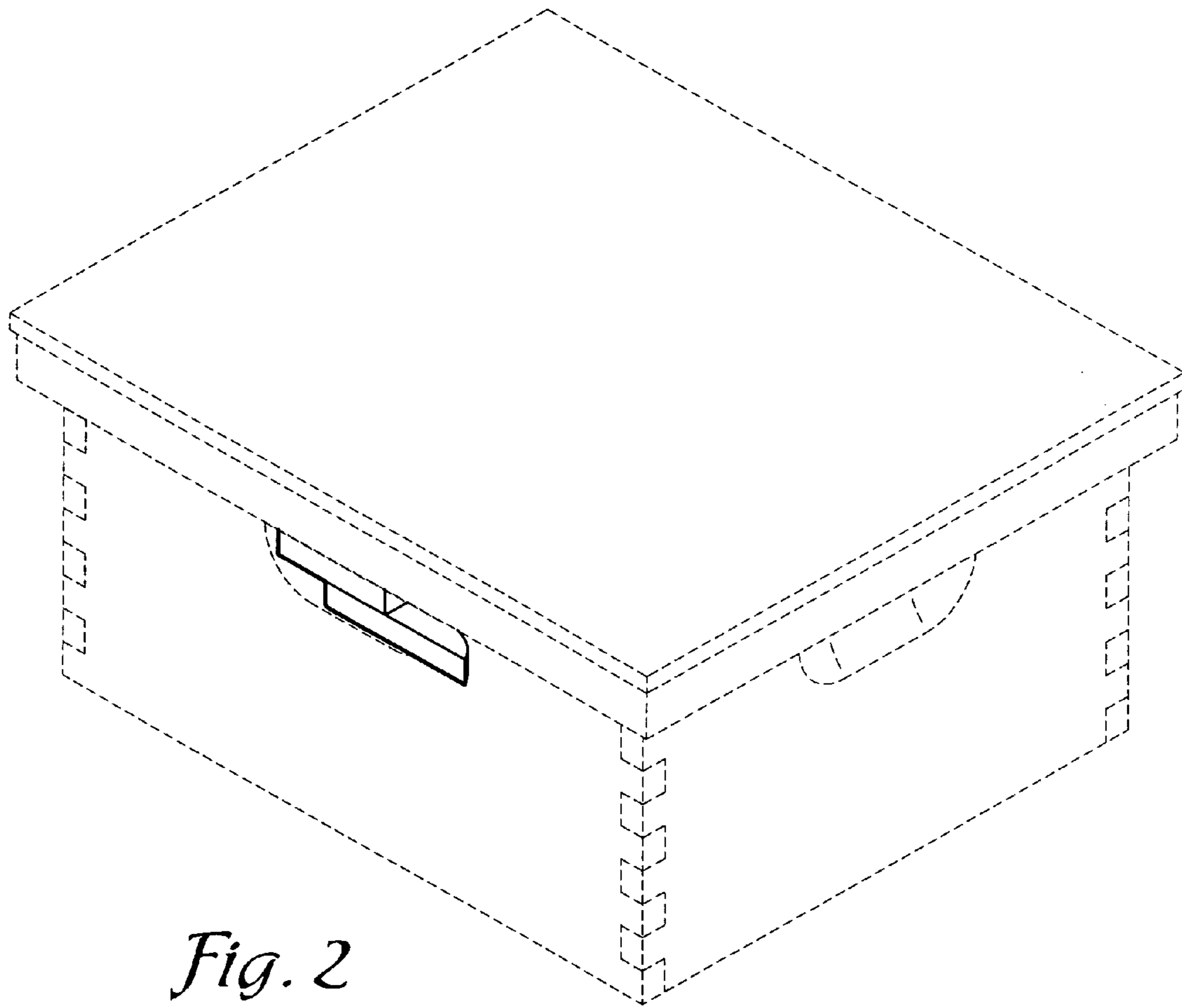


Fig. 2

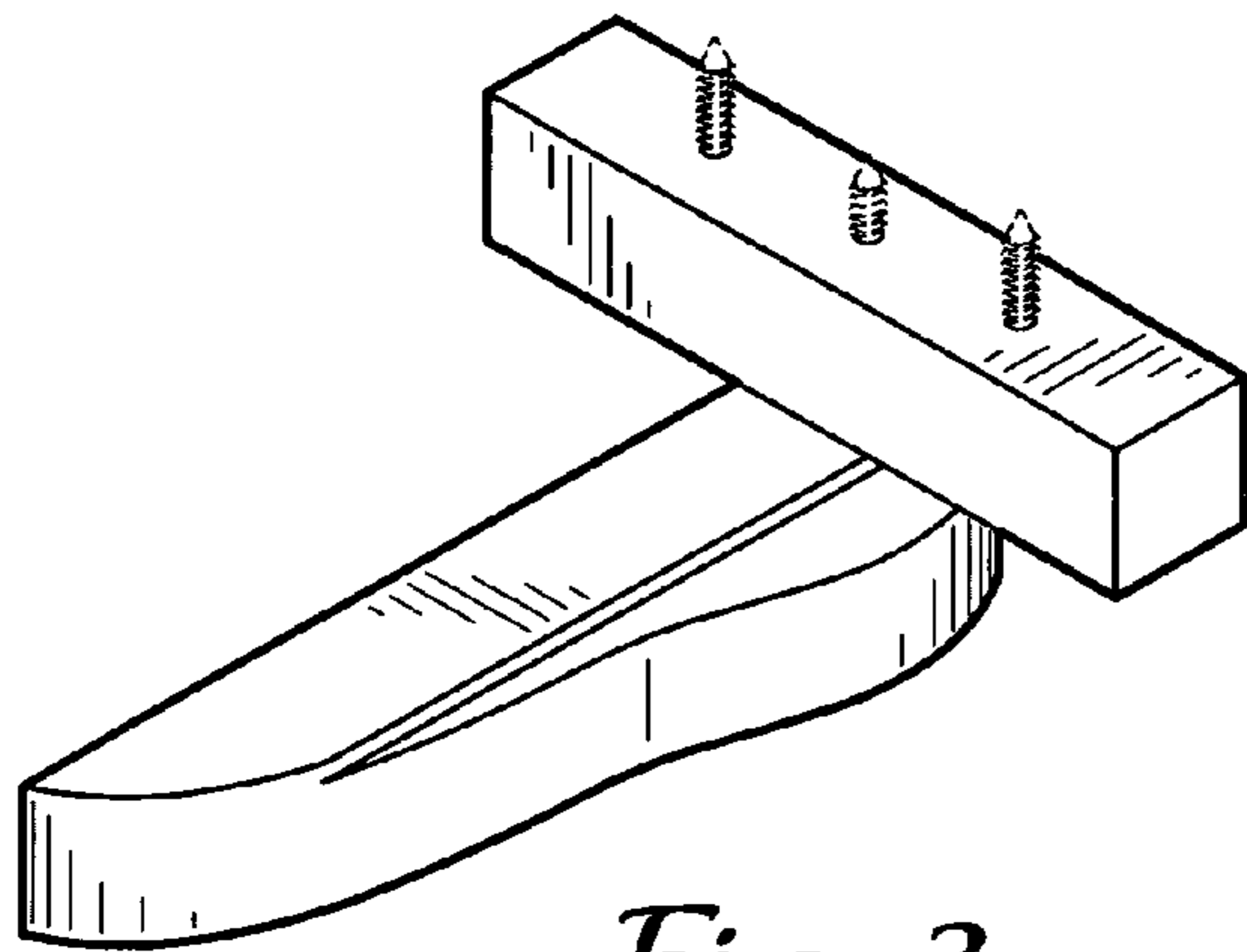


Fig. 3

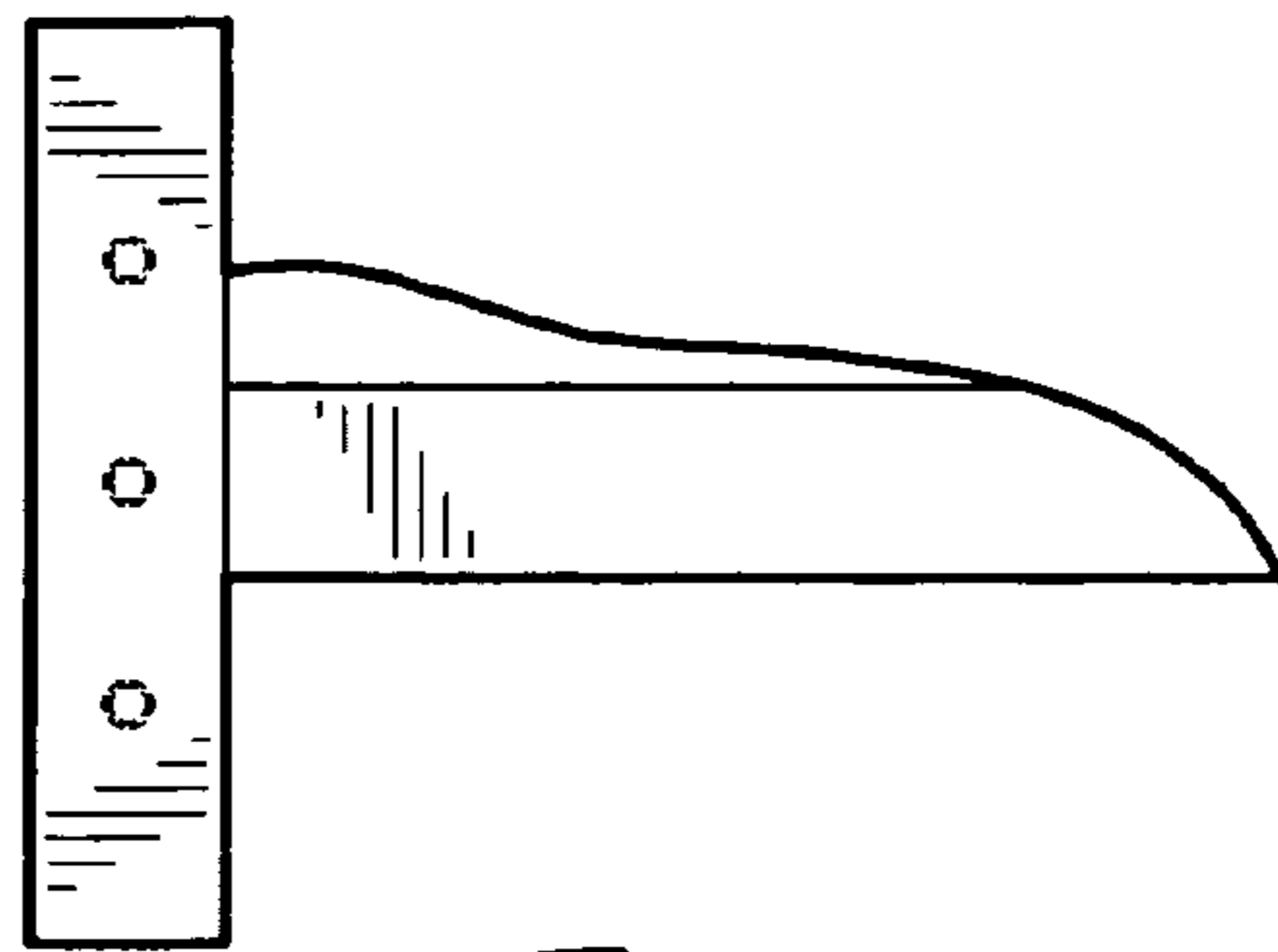


Fig. 4

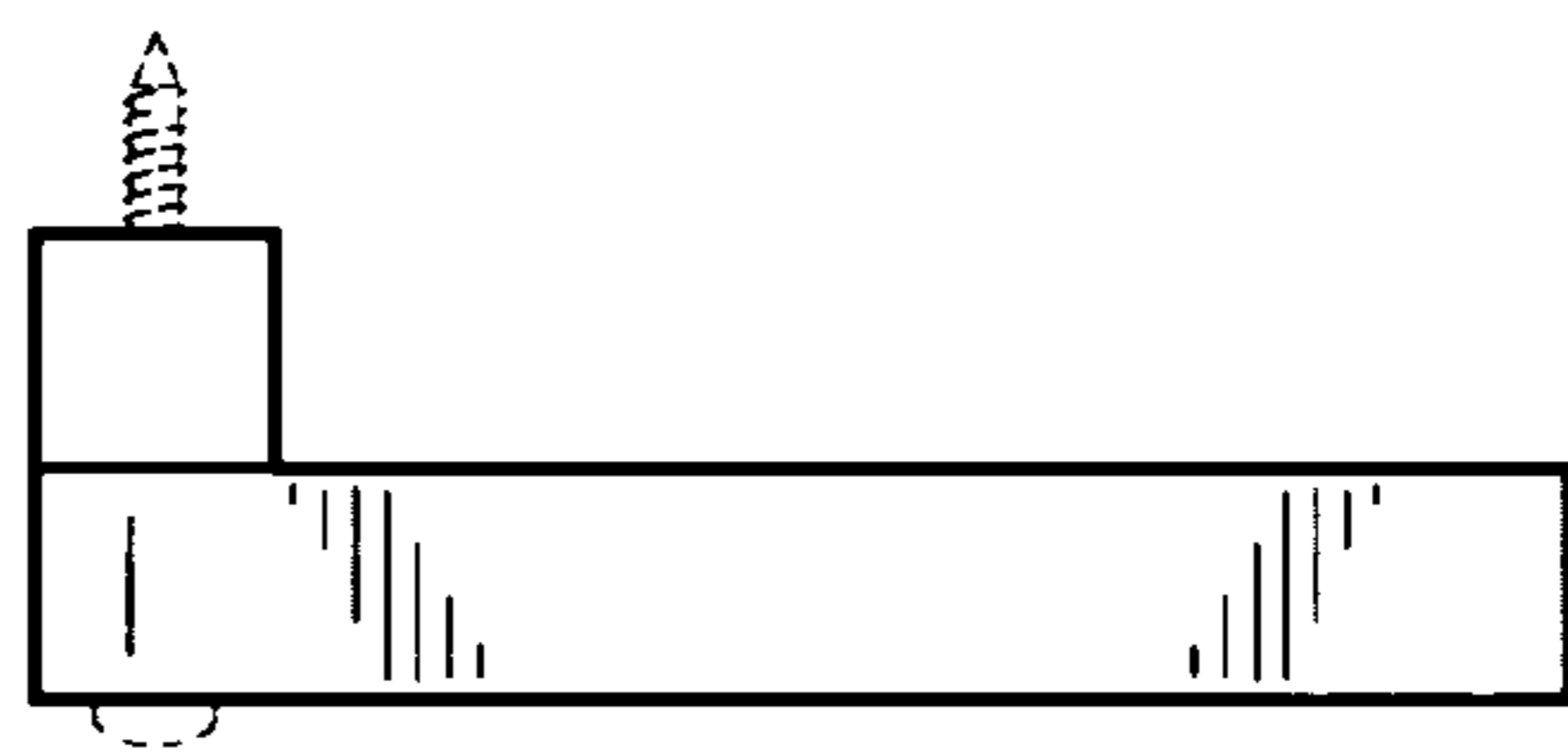


Fig. 5

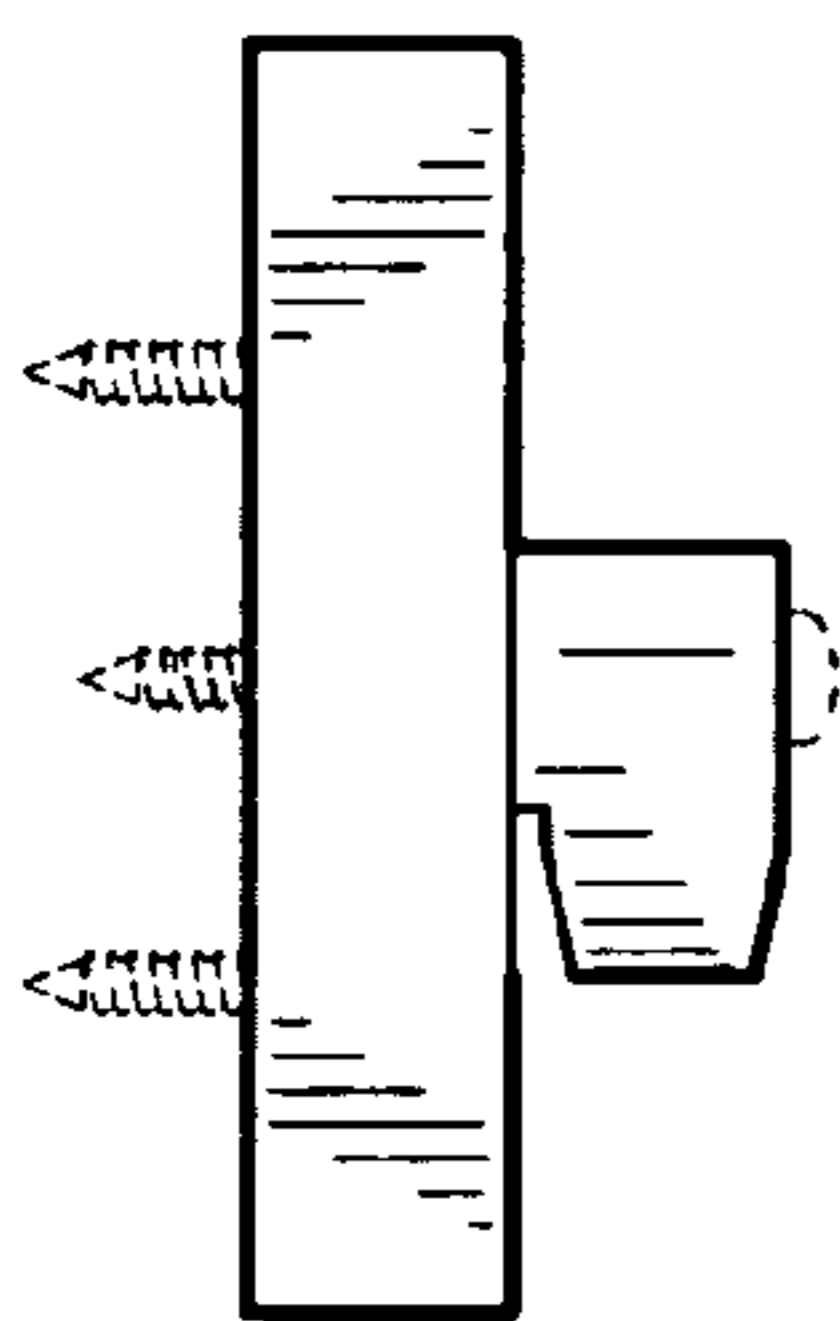


Fig. 6

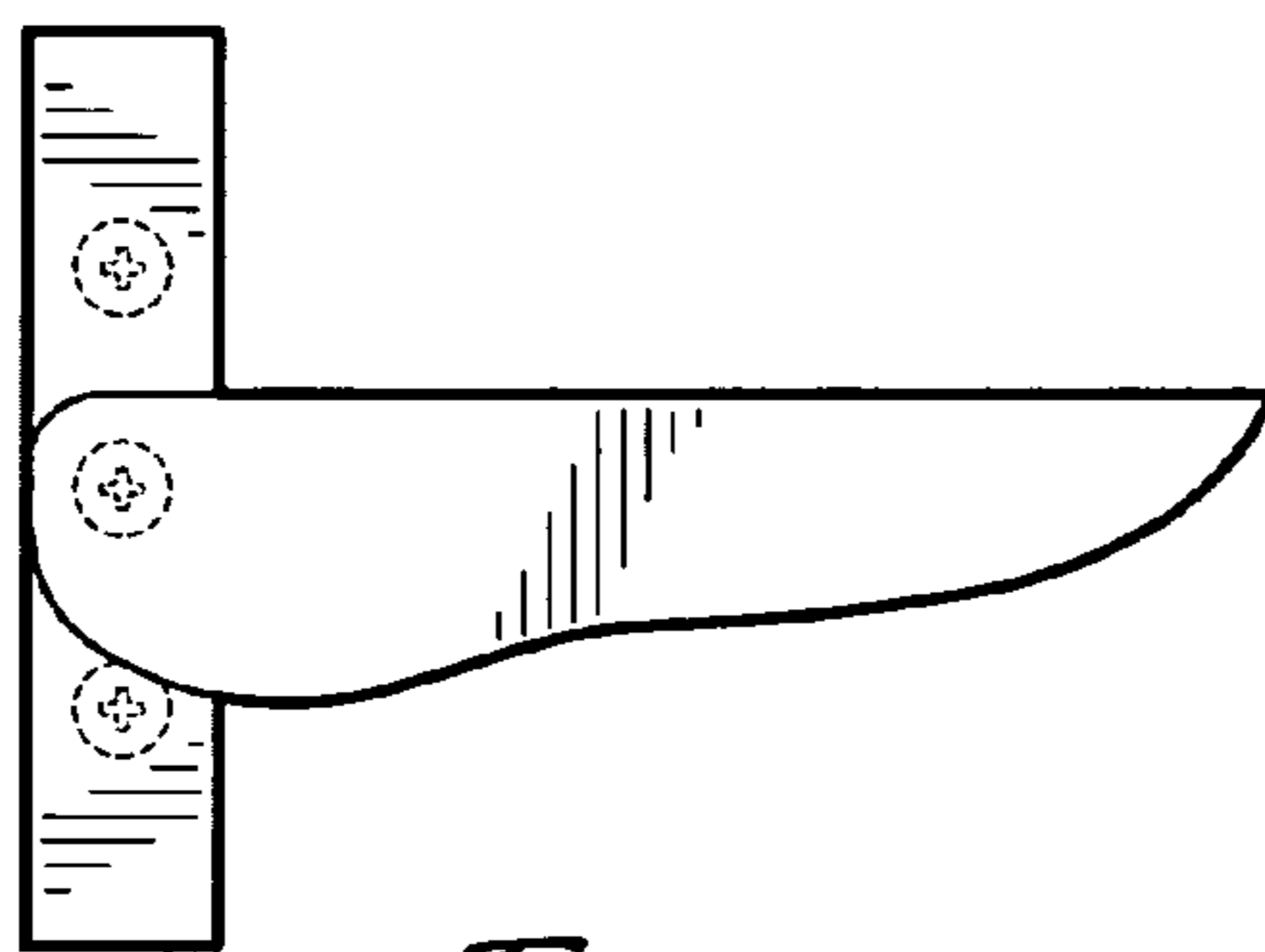


Fig. 7

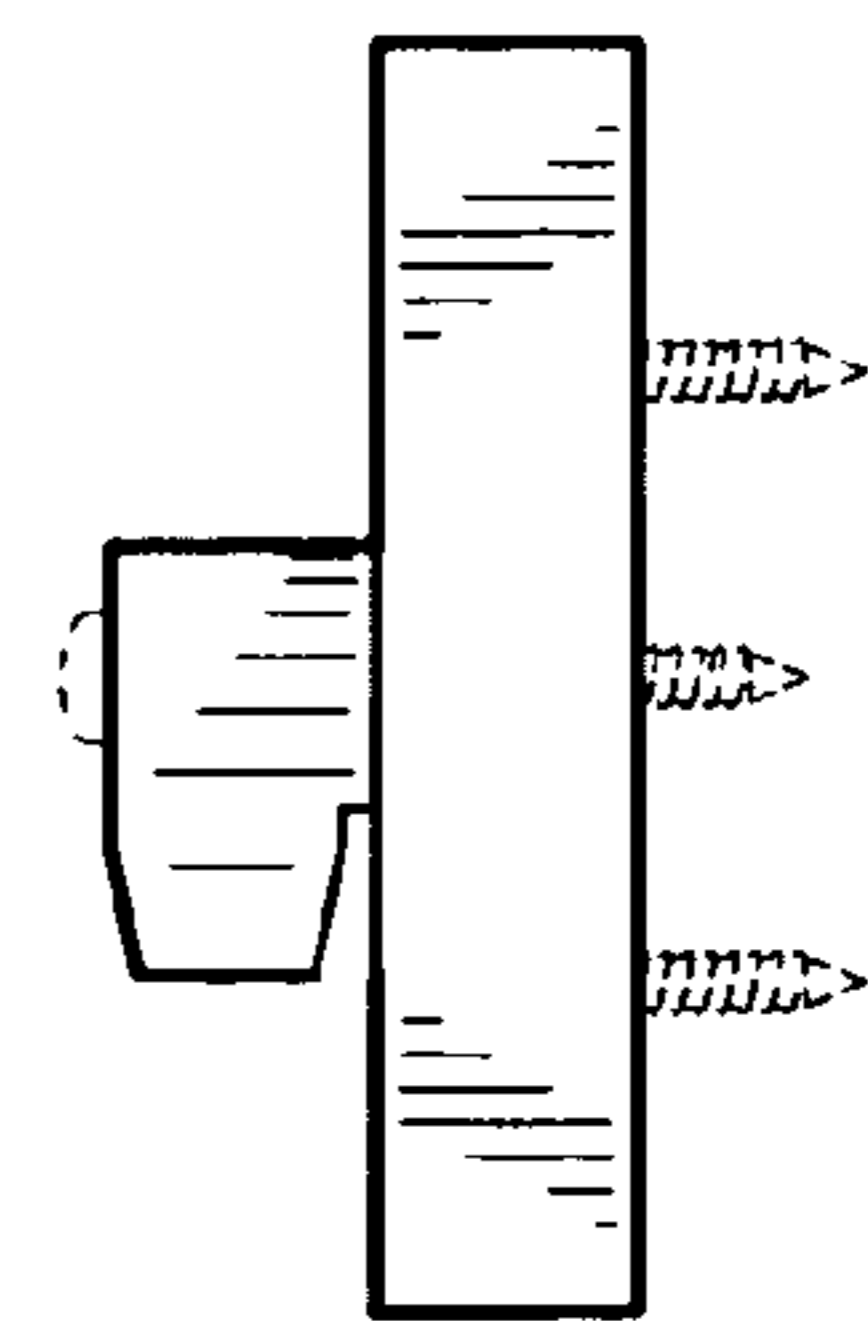


Fig. 8



Fig. 9

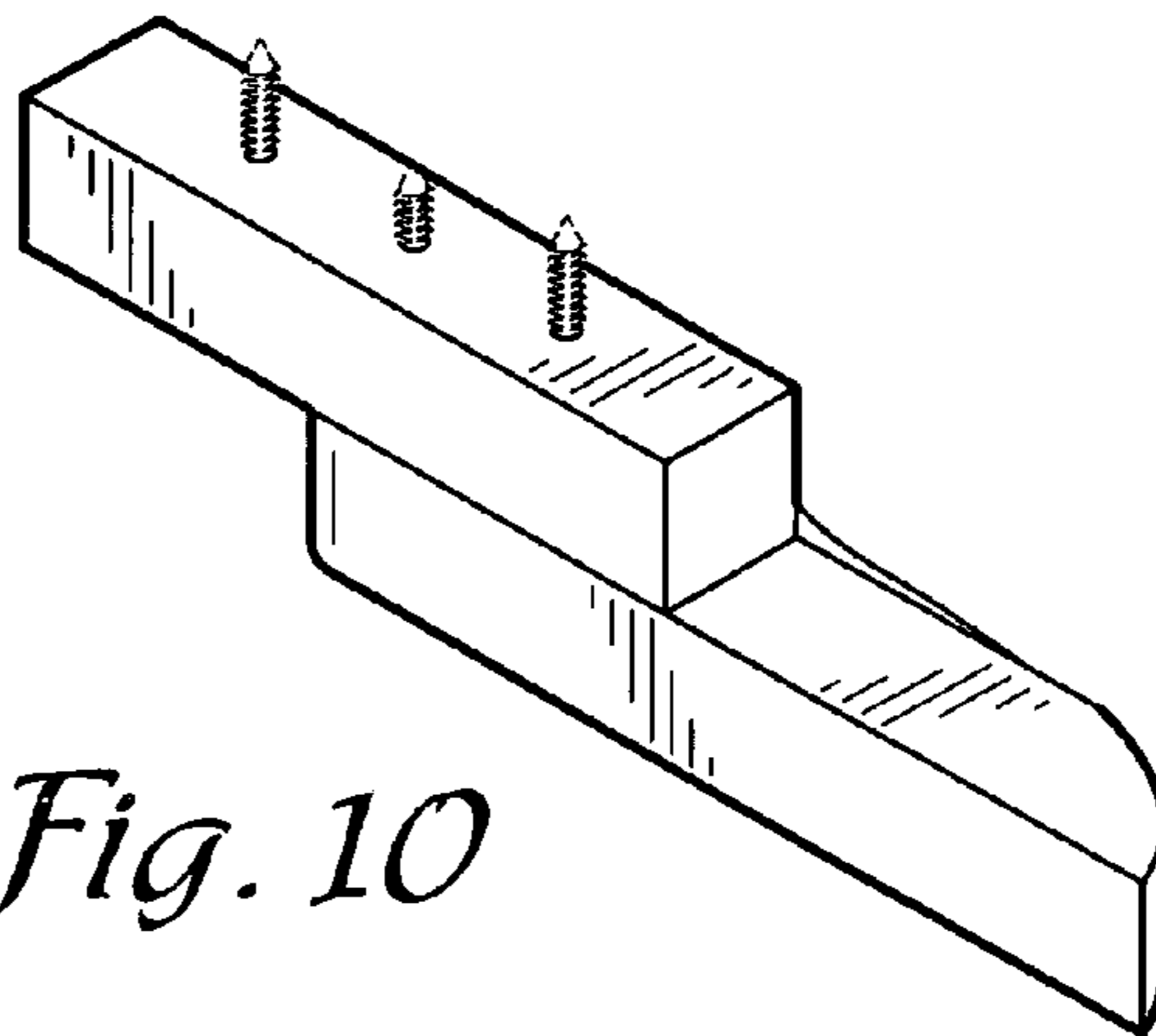


Fig. 10

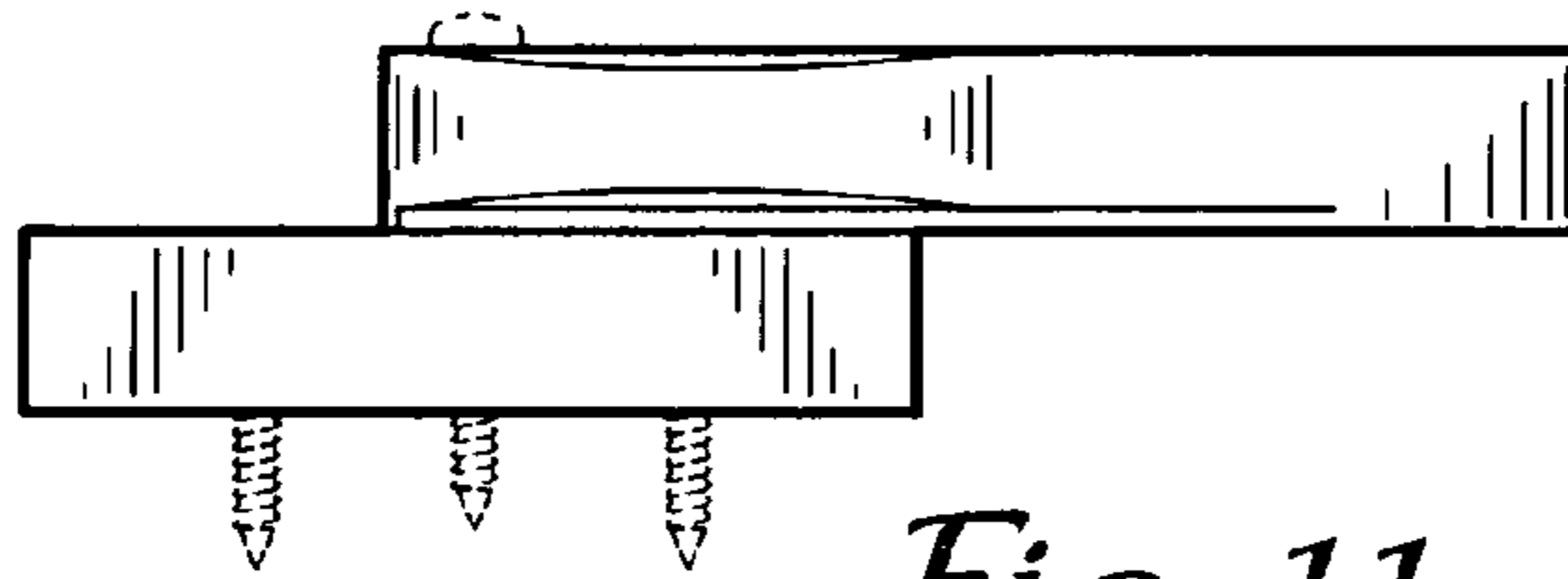


Fig. 11

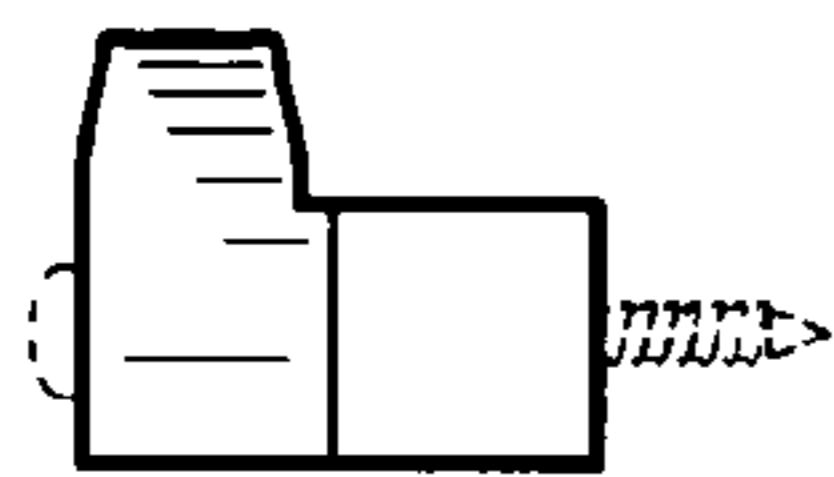


Fig. 12

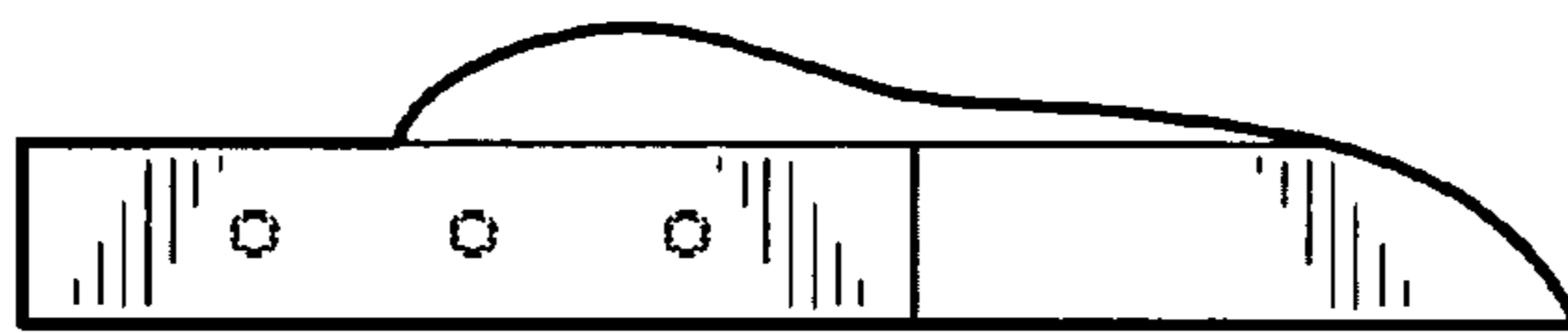


Fig. 13

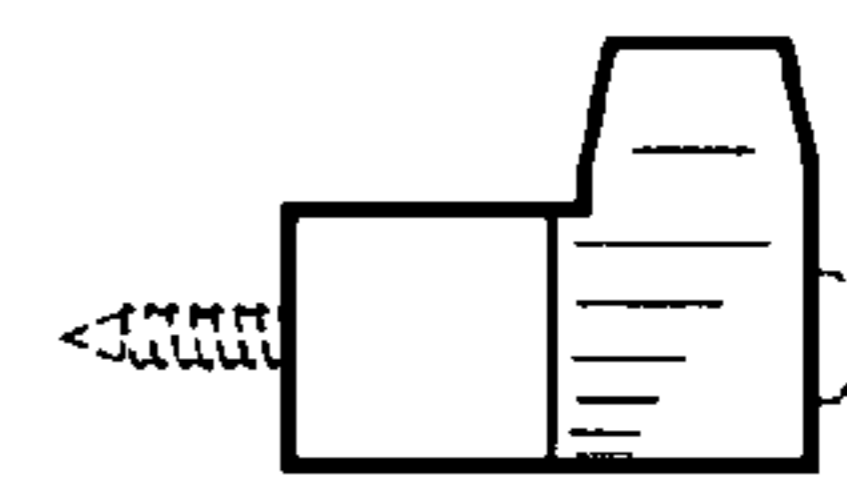


Fig. 14

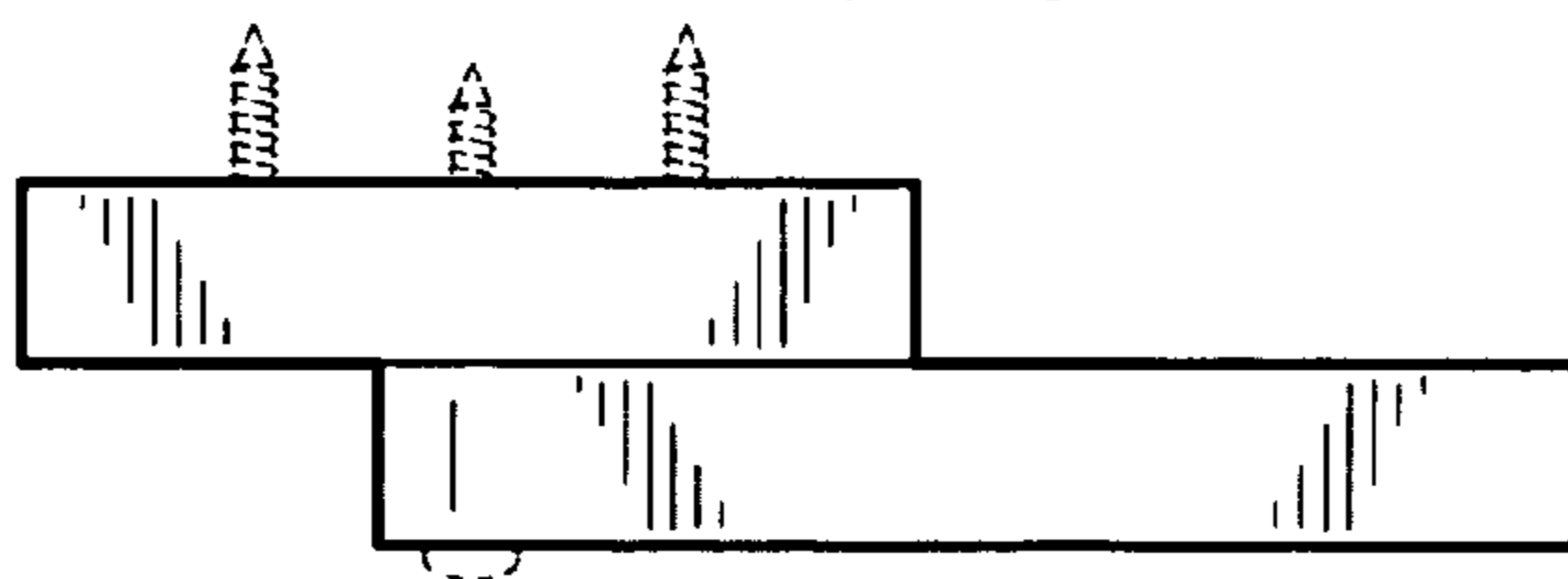


Fig. 15

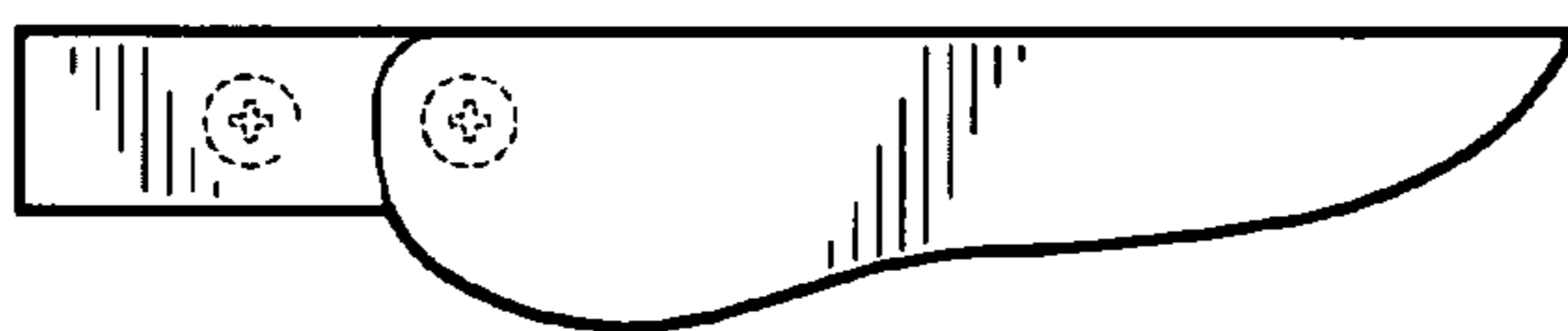


Fig. 16