



US00D685622S

(12) **United States Design Patent**
Jalet et al.

(10) **Patent No.:** **US D685,622 S**
(45) **Date of Patent:** **** Jul. 9, 2013**

(54) **KNIFE SHARPENER**

(75) Inventors: **Vincent Jalet**, Brussels (BE); **Simone Pallotto**, Etterbeek (BE)

(73) Assignee: **Dart Industries Inc.**, Orlando, FL (US)

(**) Term: **14 Years**

(21) Appl. No.: **29/374,372**

(22) Filed: **Aug. 4, 2011**

(51) **LOC (9) Cl.** **08-05**

(52) **U.S. Cl.**

USPC **D8/93**

(58) **Field of Classification Search**

USPC D8/63, 90-94; 76/82, 84, 86-89; 451/552,
451/555-558

See application file for complete search history.

(56) **References Cited**

U.S. PATENT DOCUMENTS

D177,943	S	6/1956	Rutter	
D308,018	S *	5/1990	Linden et al.	D8/93
5,477,753	A *	12/1995	Branscum et al.	76/82
D427,500	S *	7/2000	Glesser	D8/93
D446,707	S *	8/2001	Carlson et al.	D8/91
D481,285	S	10/2003	Moeller et al.	
D491,786	S *	6/2004	Waltzer	D8/93
6,846,229	B1 *	1/2005	Ranieri	451/312
D537,698	S	3/2007	Hasegawa	
D575,125	S	8/2008	Smith	
D587,550	S	3/2009	Smith	

7,803,038 B2 * 9/2010 Lake 451/321
2009/0298401 A1 12/2009 Smith et al.
2009/0325473 A1 12/2009 Smith et al.

* cited by examiner

Primary Examiner — Philip S Hyder

Assistant Examiner — Roselynn Cody

(74) *Attorney, Agent, or Firm* — John A. Doninger

(57) **CLAIM**

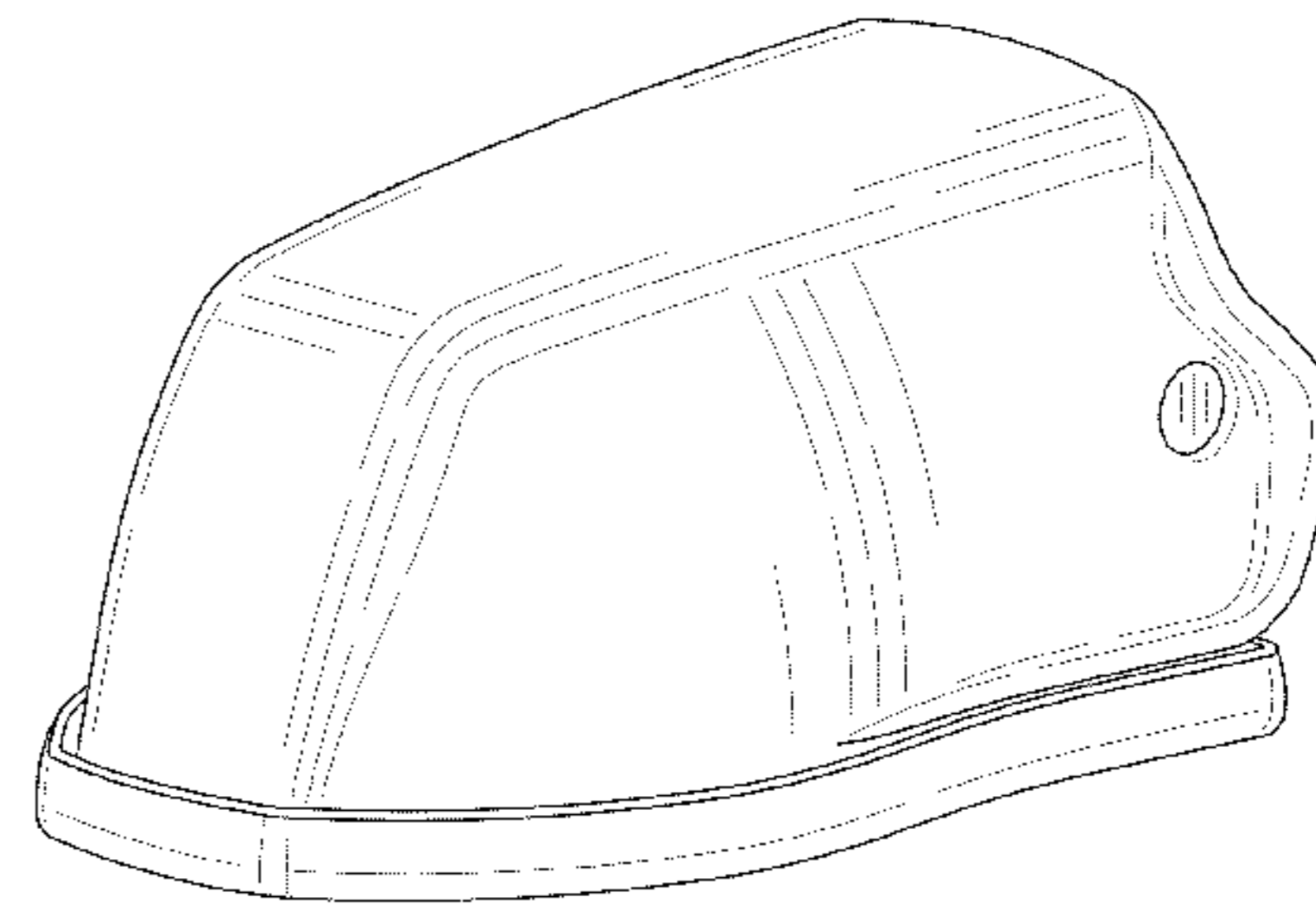
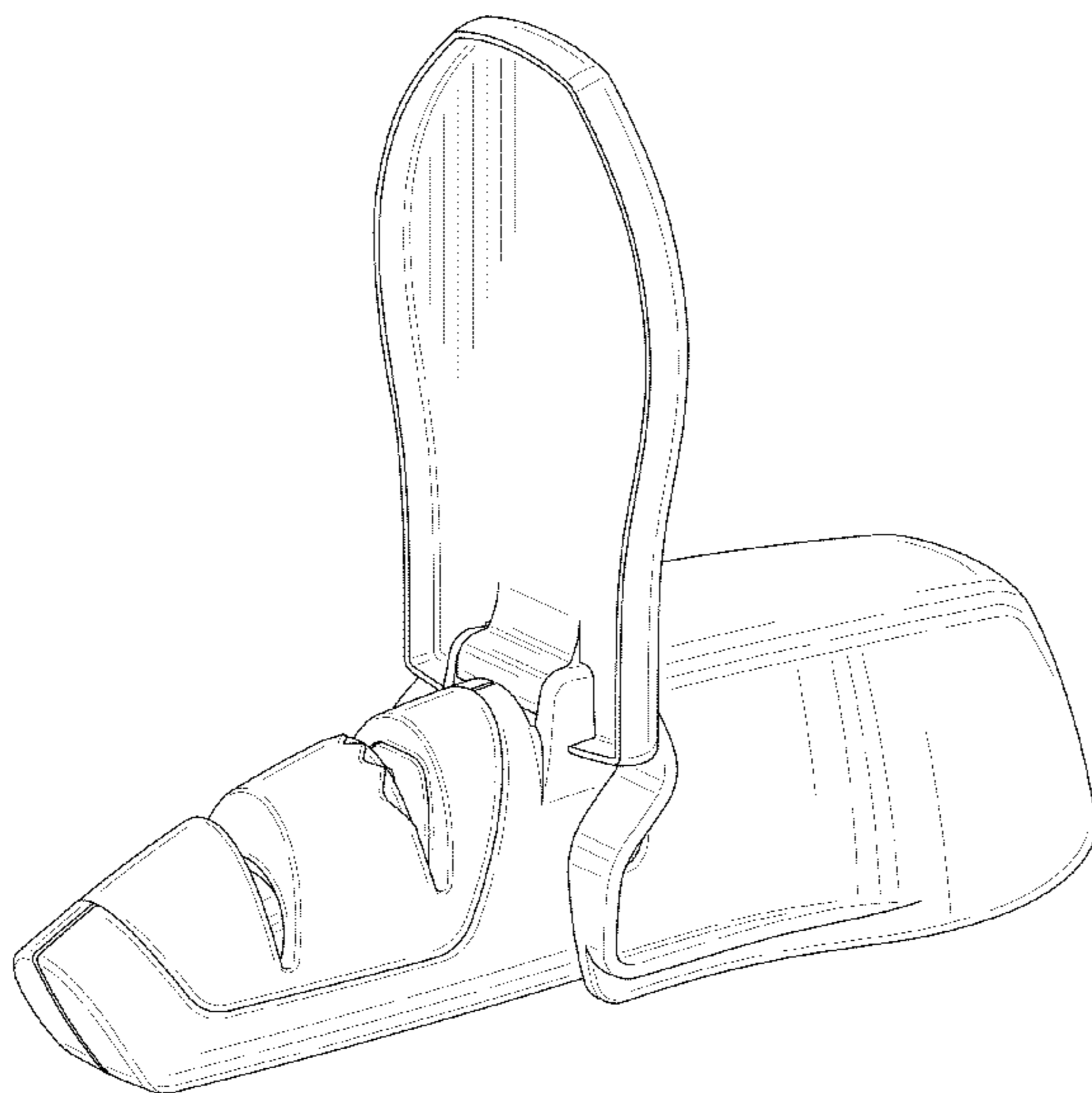
The ornamental design for a knife sharpener, as shown and described.

DESCRIPTION

FIG. 1 is a top, front and left side perspective view of a knife sharpener showing our new design in the open position; FIG. 2 is a top, rear and right side perspective view thereof; FIG. 3 is a front elevation view thereof; FIG. 4 is a rear elevation view thereof; FIG. 5 is a right side elevation view, the left side elevation being a mirror image thereof; FIG. 6 is a top plan view thereof; FIG. 7 is a bottom plan view thereof; FIG. 8 is a top, front and left side perspective view of a knife sharpener showing our new design in the closed position; FIG. 9 is a top, rear and right side perspective view thereof; FIG. 10 is a front elevation view thereof; FIG. 11 is a rear elevation view thereof; and, FIG. 12 is a right side elevation view, the left side elevation being a mirror image thereof.

The broken lines in the drawings are directed to portions of the knife sharpener that form no part of the claim.

1 Claim, 7 Drawing Sheets



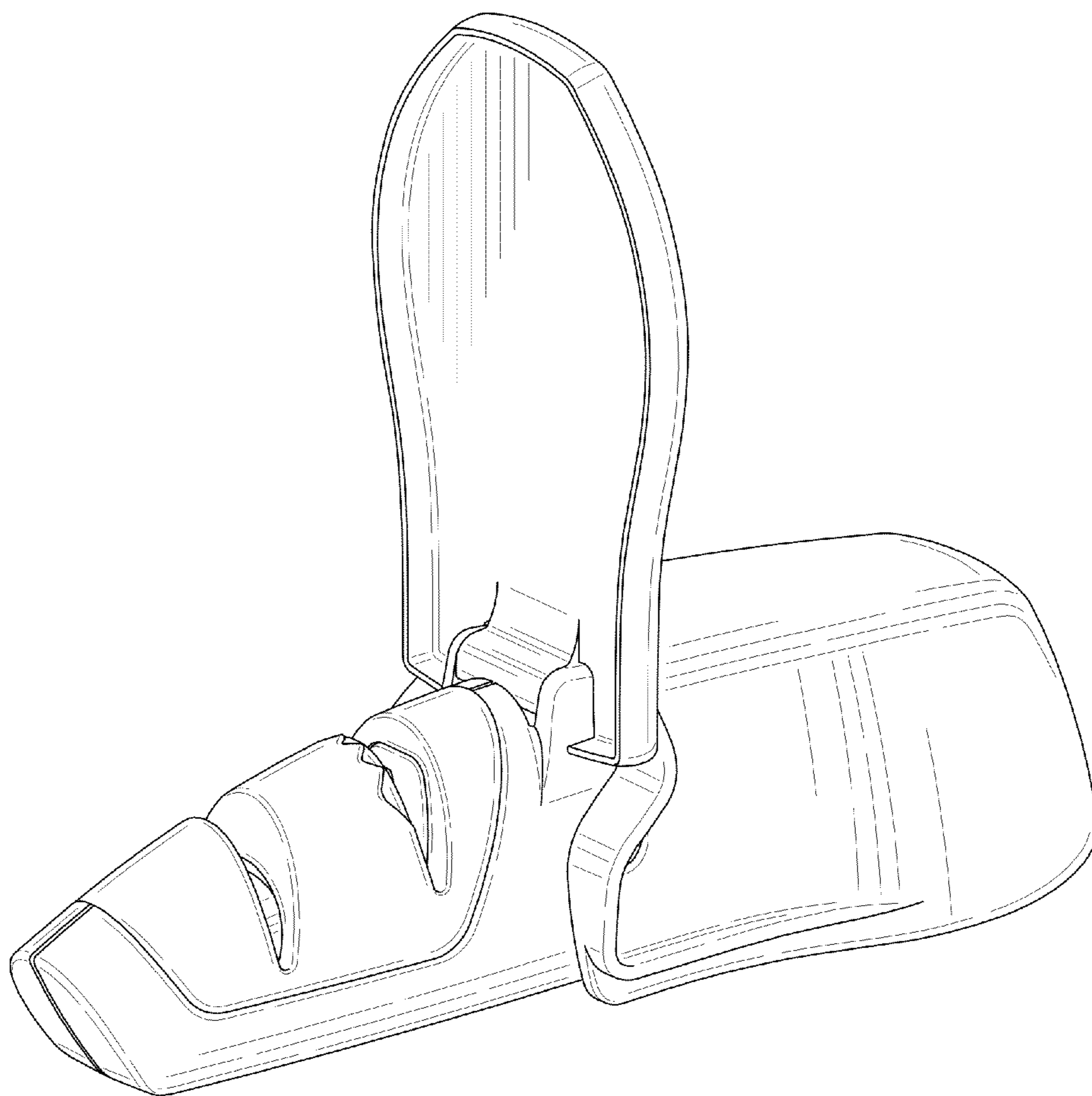


FIG. 1

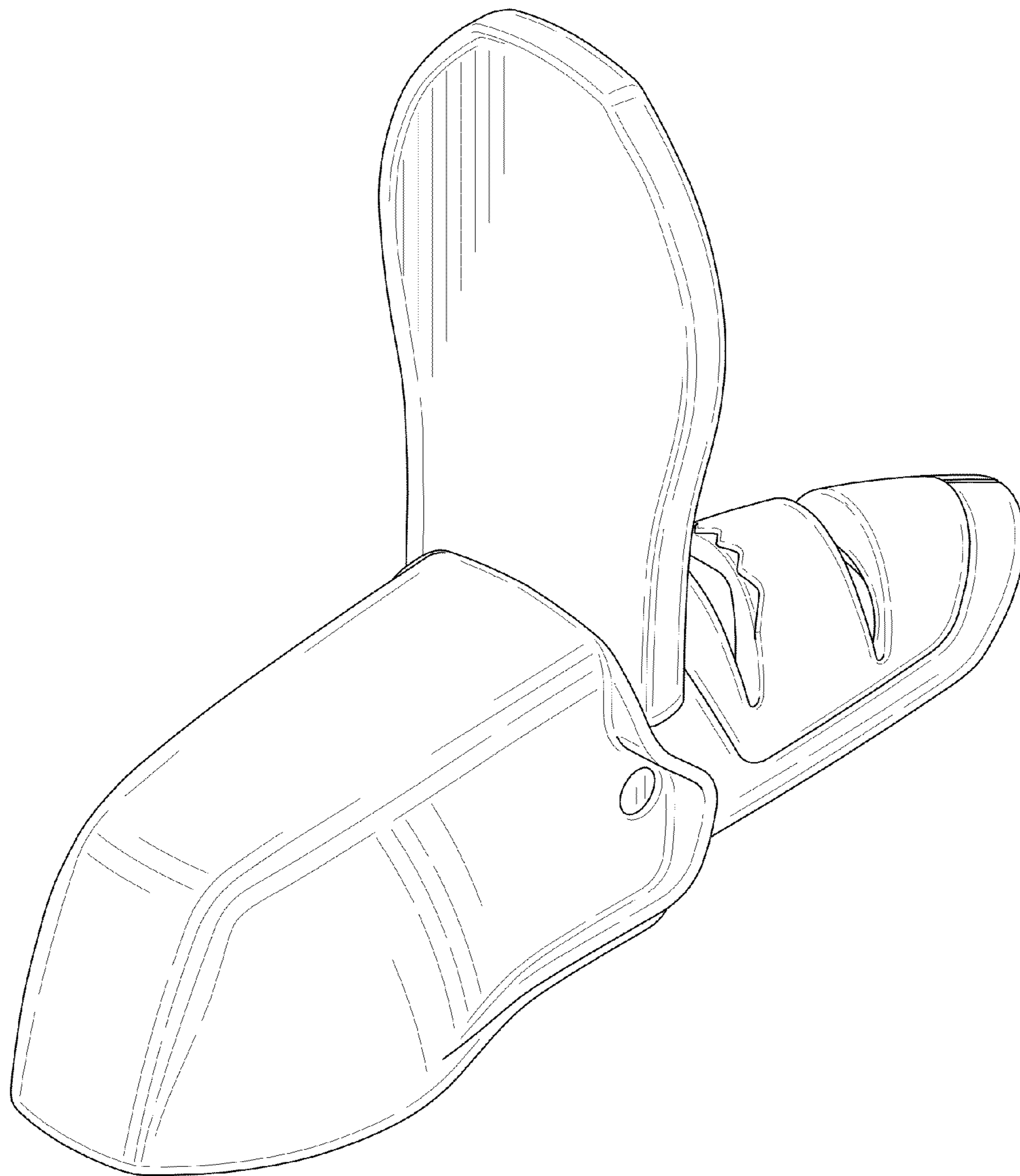


FIG. 2

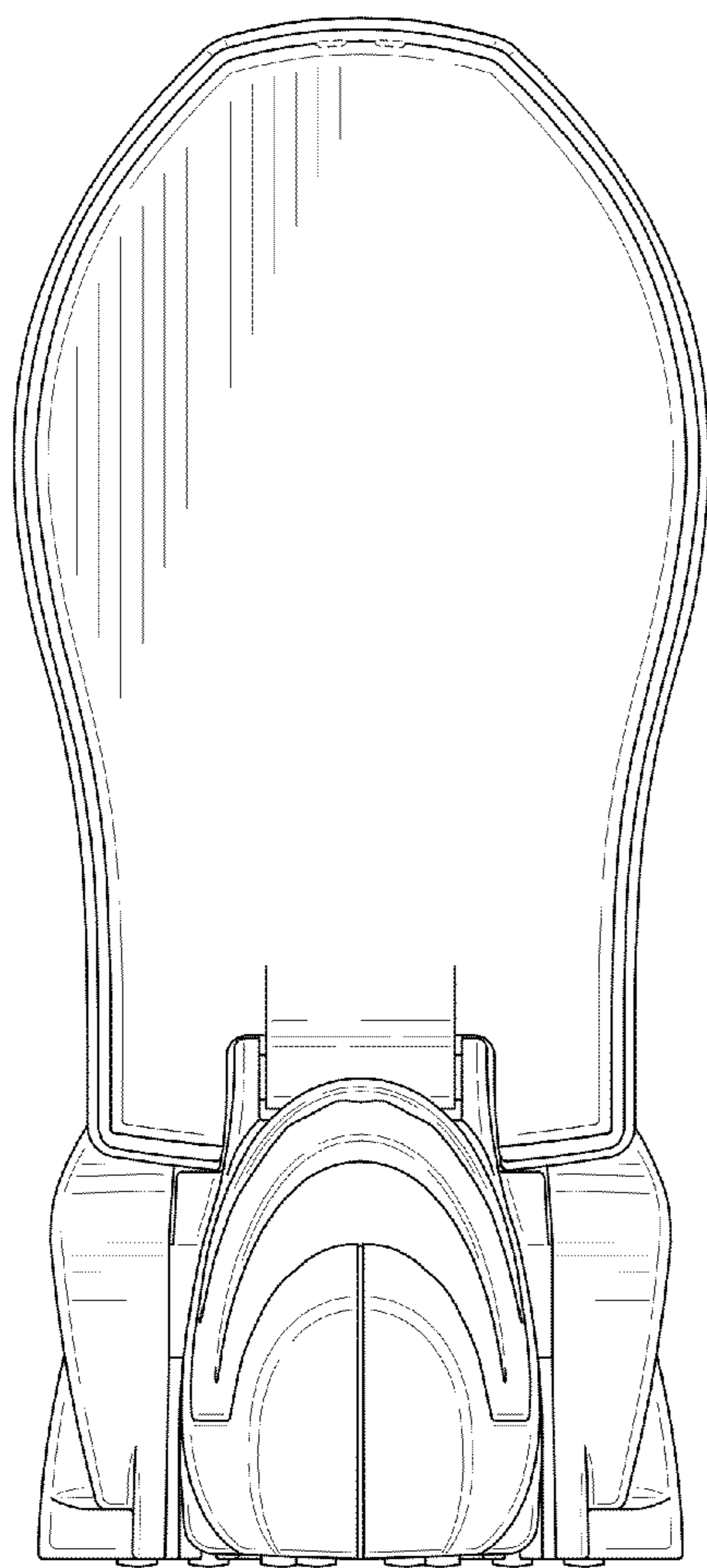


FIG. 3

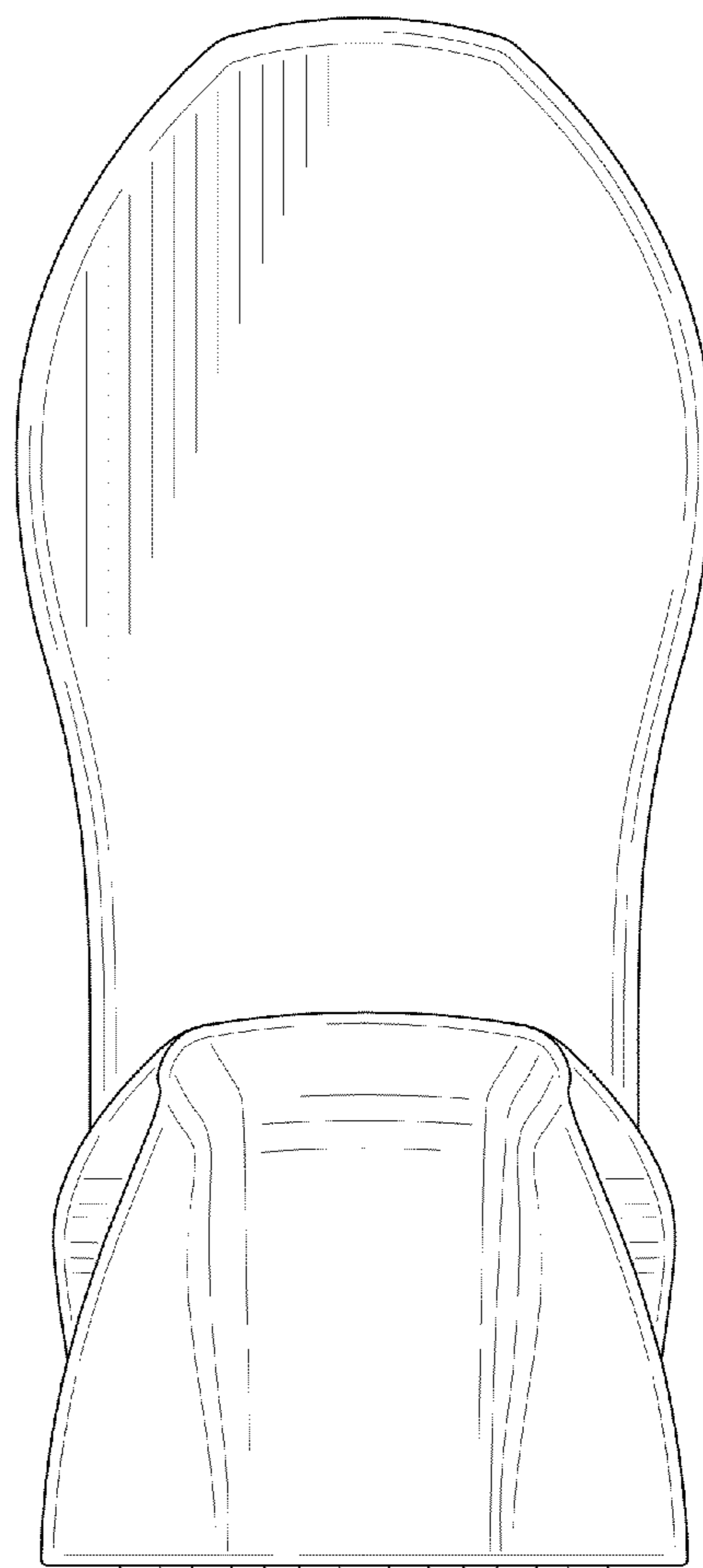


FIG. 4

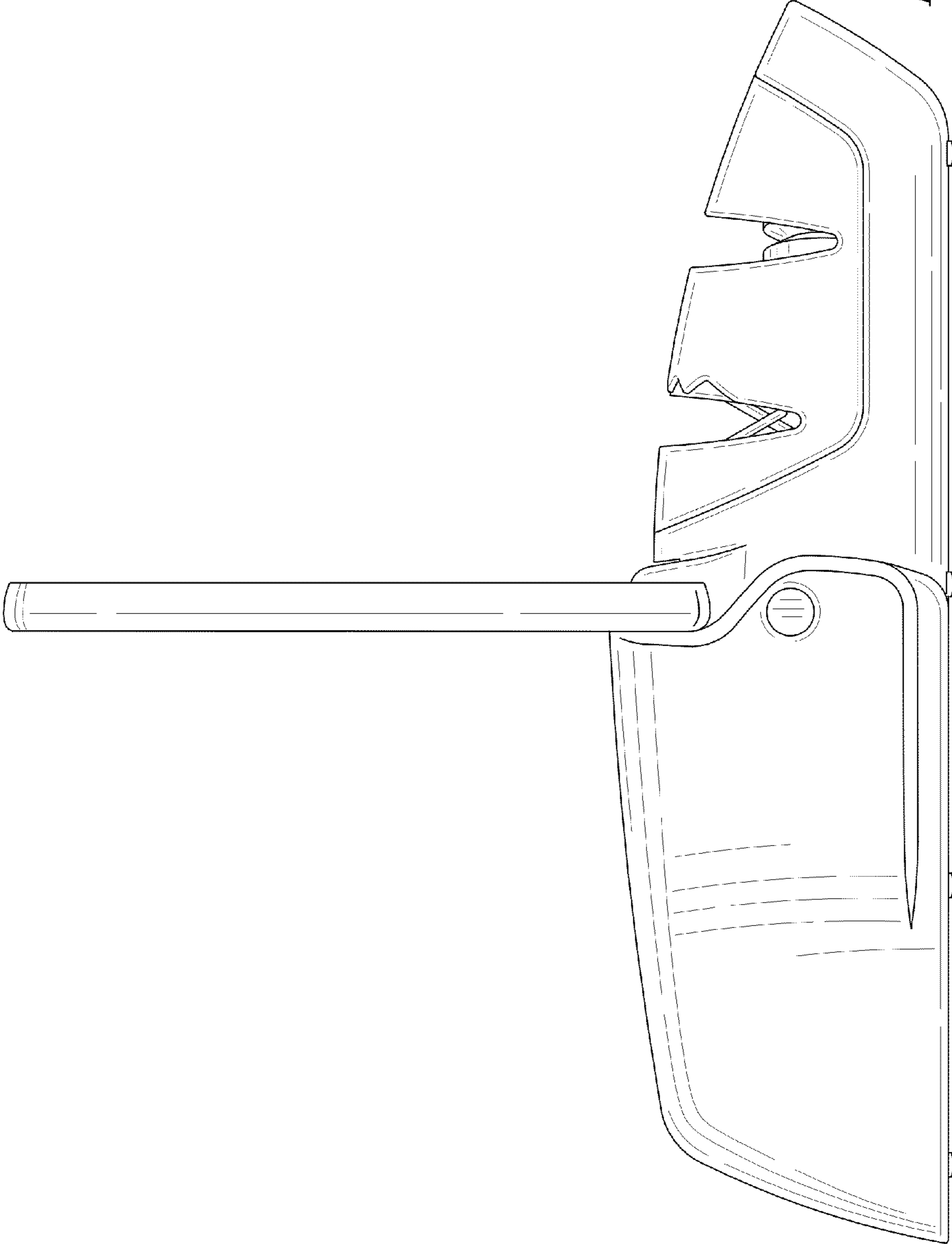
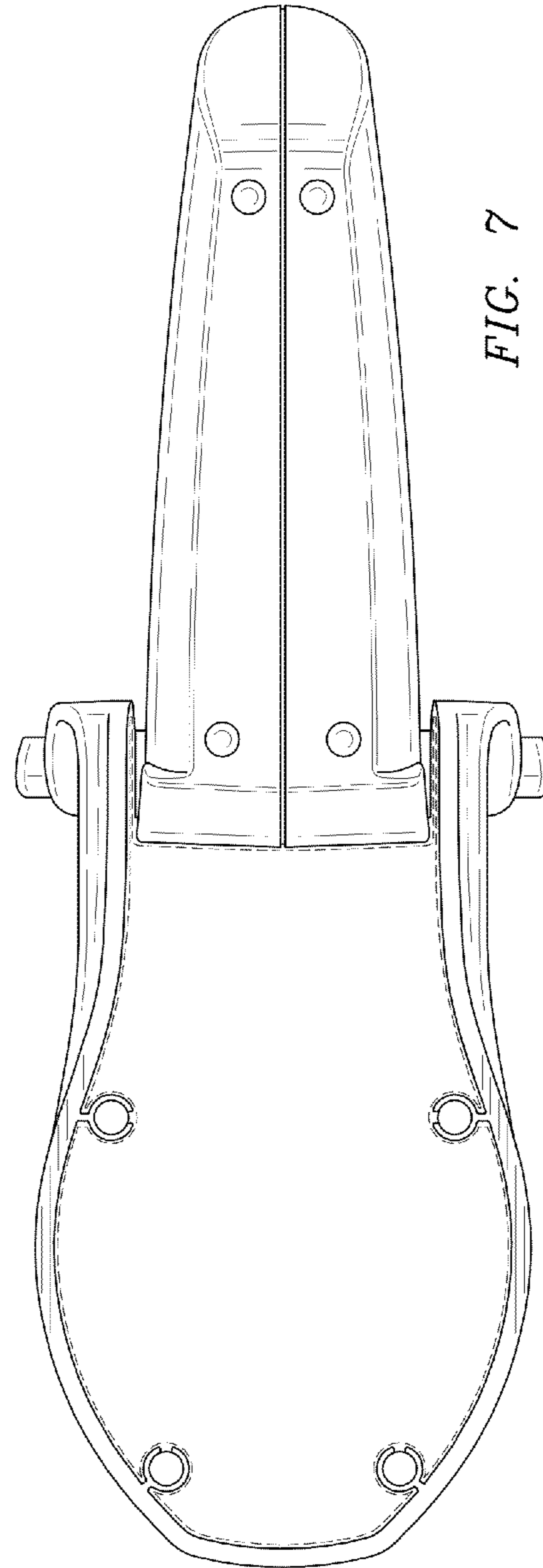
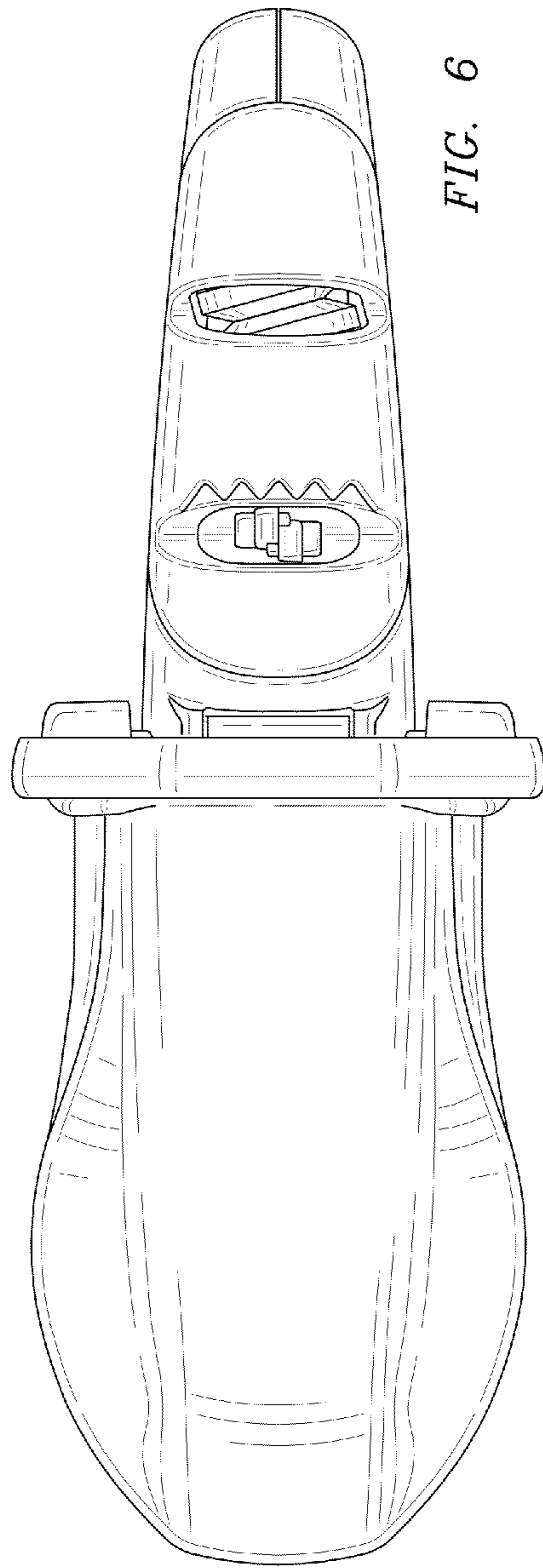


FIG. 5



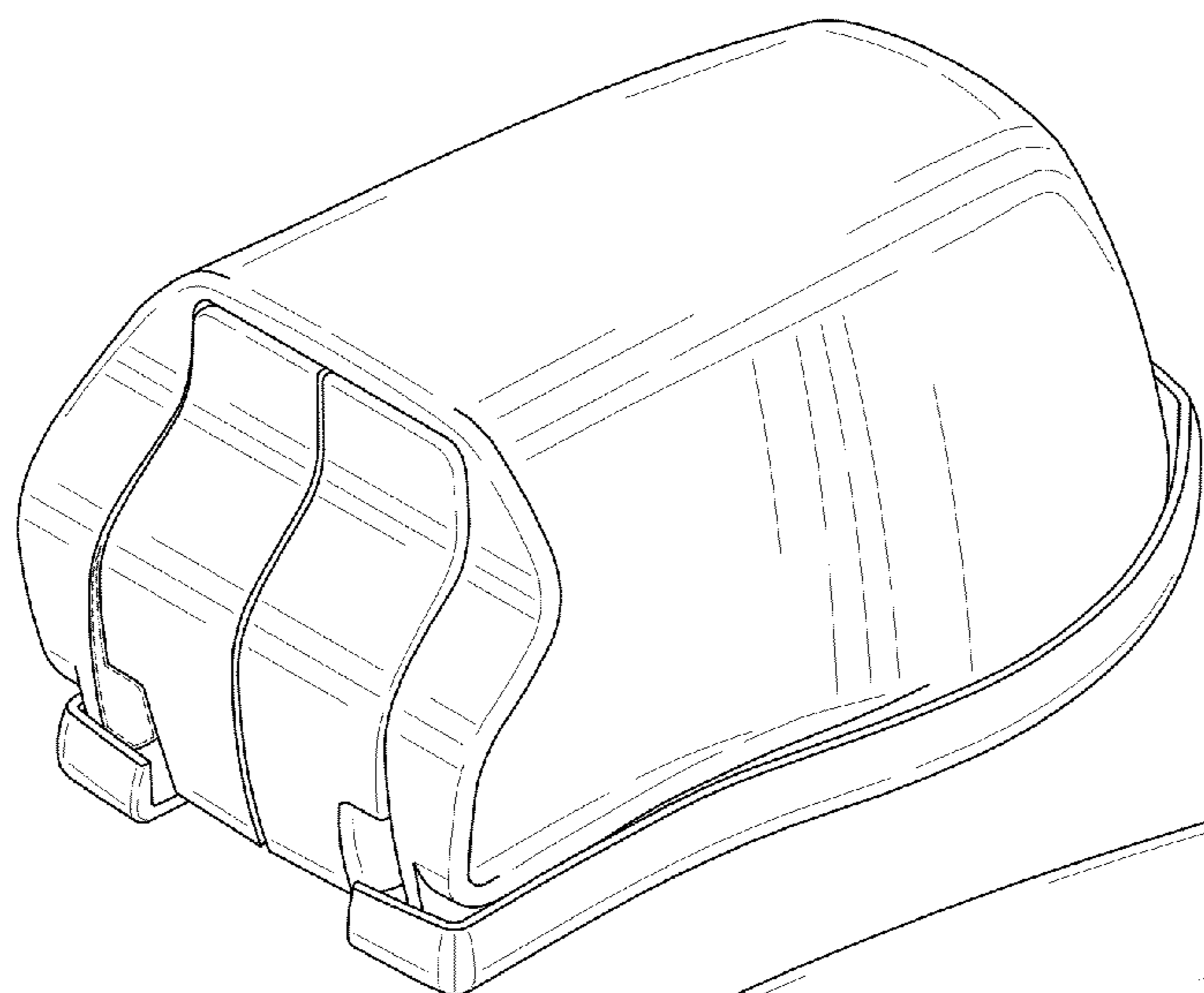


FIG. 8

FIG. 9

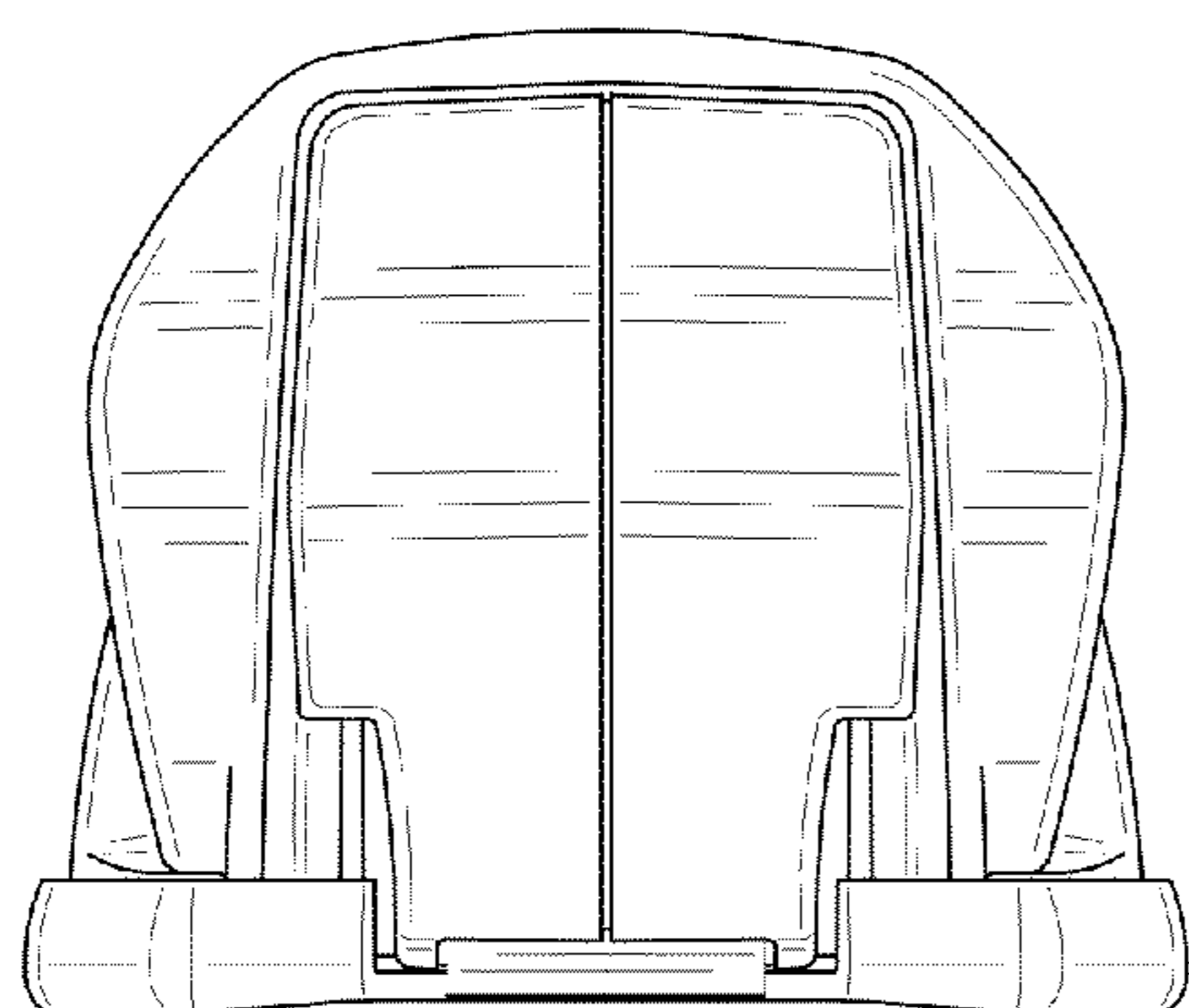
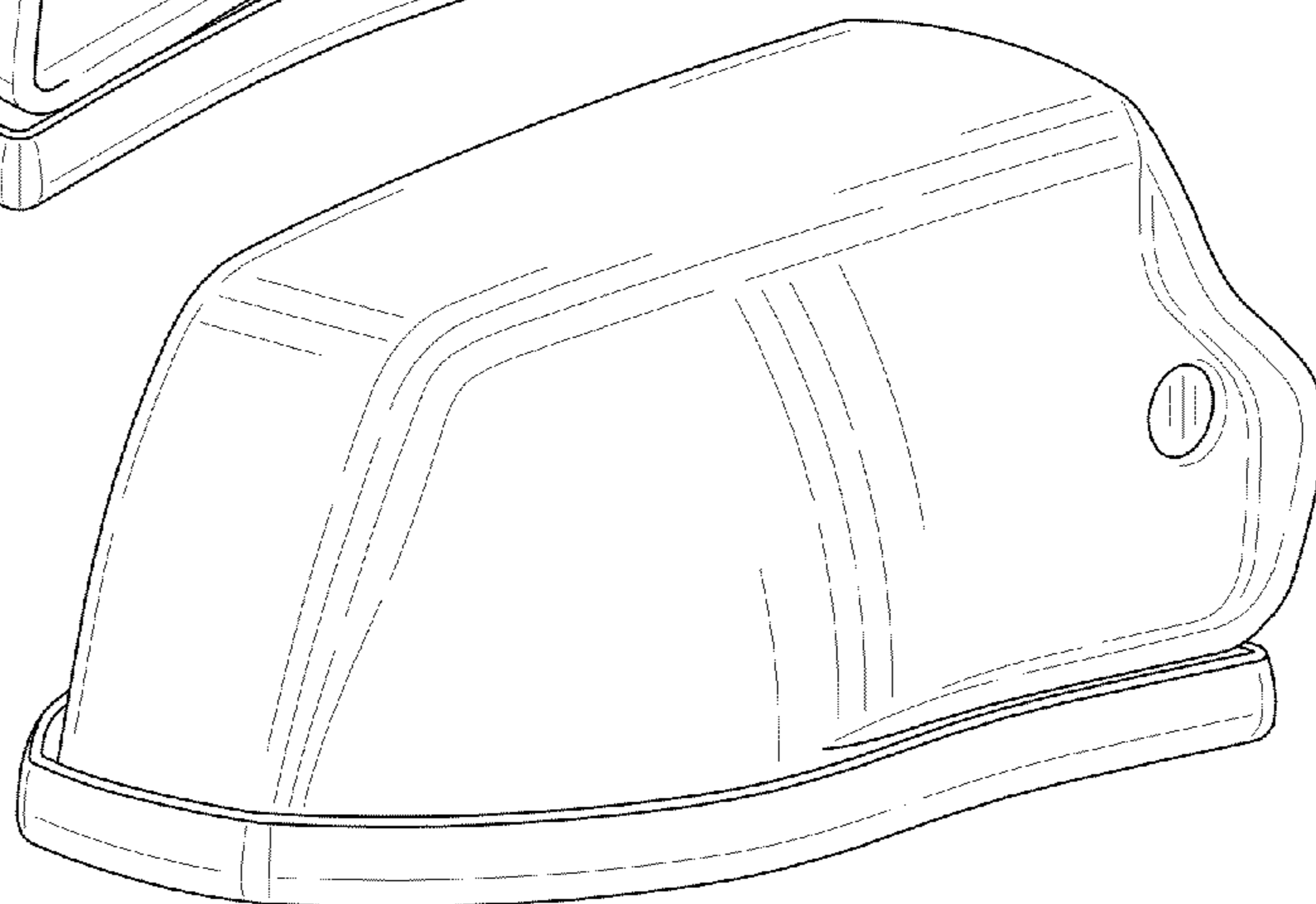


FIG. 10

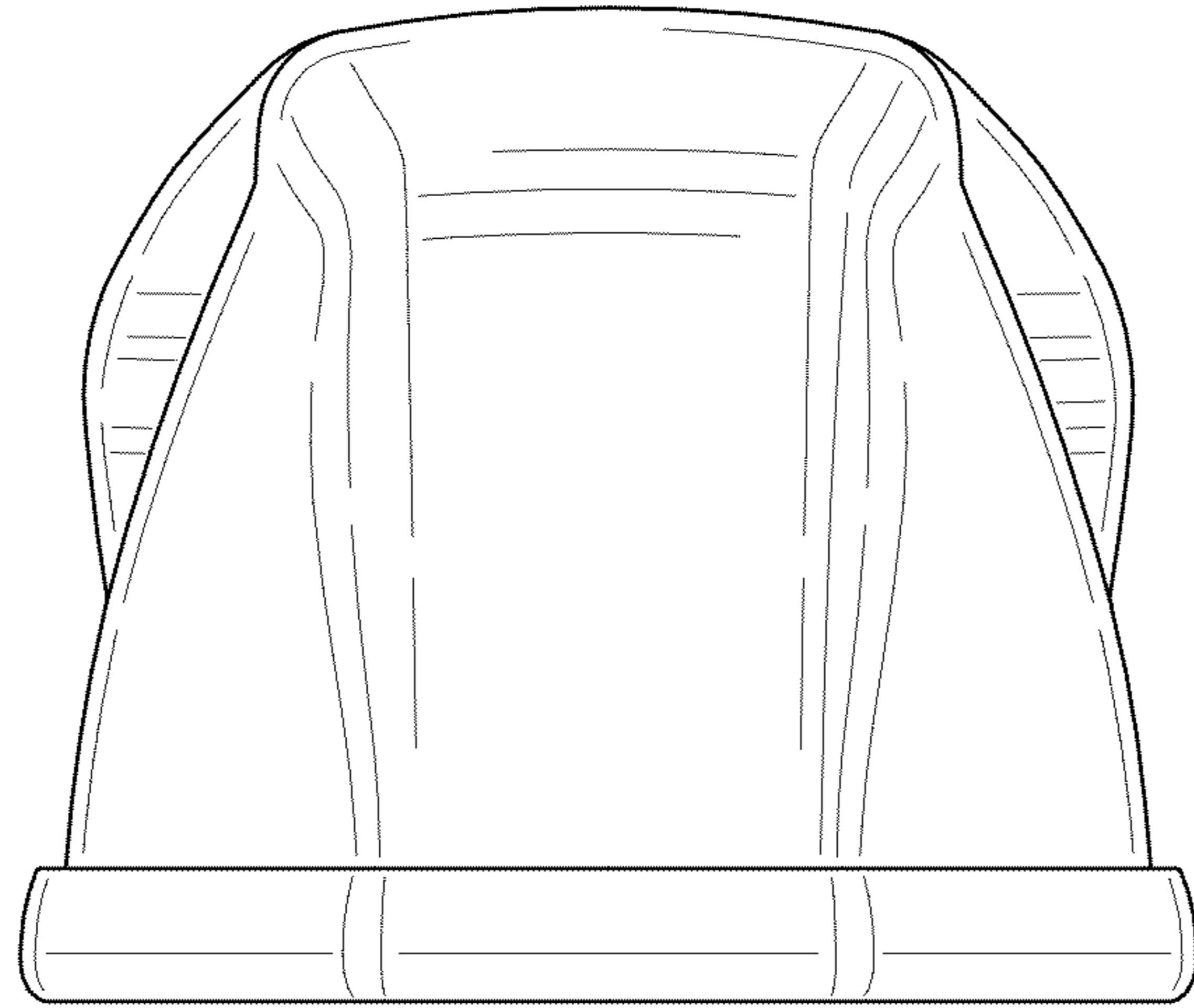


FIG. 11

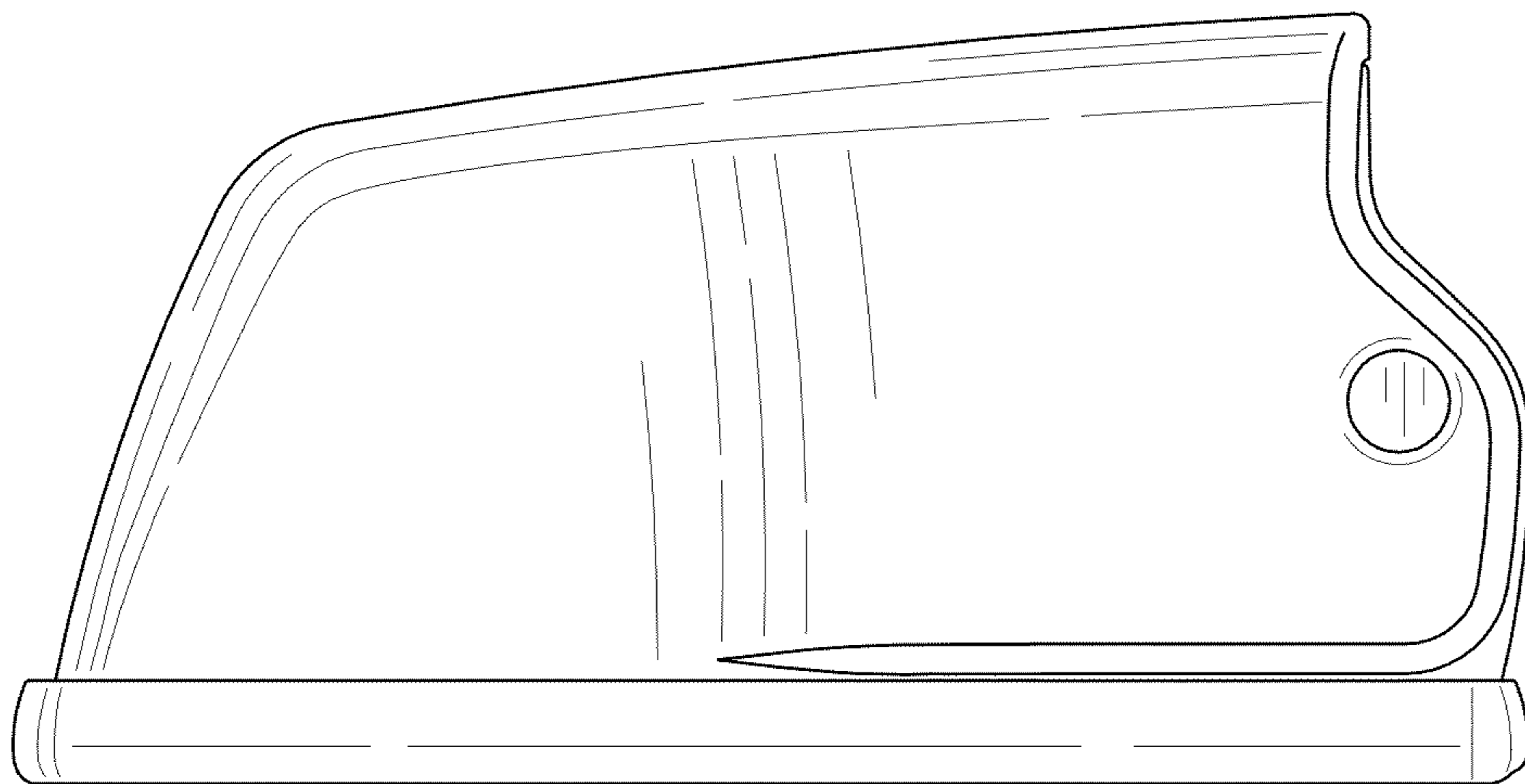


FIG. 12