

US00D685617S

(12) **United States Design Patent**  
**Zemel et al.**

(10) **Patent No.:** **US D685,617 S**  
(45) **Date of Patent:** **\*\* Jul. 9, 2013**

(54) **UTENSIL**

(71) Applicant: **Mr. Bar-B-Q-, Inc.**, Old Bethpage, NY  
(US)

(72) Inventors: **Marc Zemel**, Melville, NY (US); **Adam Schillen**, Dix Hills, NY (US)

(73) Assignee: **Mr. Bar-B-Q-, Inc.**, Old Bethpage, NY  
(US)

(\*\*) Term: **14 Years**

(21) Appl. No.: **29/435,669**

(22) Filed: **Oct. 26, 2012**

(51) **LOC (9) Cl.** ..... **07-04**

(52) **U.S. Cl.**  
USPC ..... **D7/683**

(58) **Field of Classification Search**  
USPC ..... D7/680-696, 368, 669; D8/6; D32/40,  
D32/46, 51, 52; 7/112; 30/162, 322, 323,  
30/315, 148, 150, 142, 147, 137, 299; 294/55.5;  
99/426, 464

See application file for complete search history.

(56) **References Cited**

U.S. PATENT DOCUMENTS

D168,127	S	*	11/1952	Schoenfeld	.....	D7/683
D230,392	S	*	2/1974	Rousseau	.....	D8/6
D333,413	S	*	2/1993	Kistner	.....	D7/683
5,209,779	A	*	5/1993	Talerico	.....	118/24
D637,050	S	*	5/2011	Johnson, Jr.	.....	D7/683

\* cited by examiner

*Primary Examiner* — Terry Wallace

(74) *Attorney, Agent, or Firm* — Carter, DeLuca, Farrell & Schmidt LLP

(57) **CLAIM**

The ornamental design for a utensil, as shown and described.

**DESCRIPTION**

FIG. 1 is a perspective view of a utensil in accordance with the present design;

FIG. 2 is a top plan view thereof;

FIG. 3 is a bottom plan view thereof;

FIG. 4 is a right side elevational view thereof;

FIG. 5 is a left side elevational view thereof;

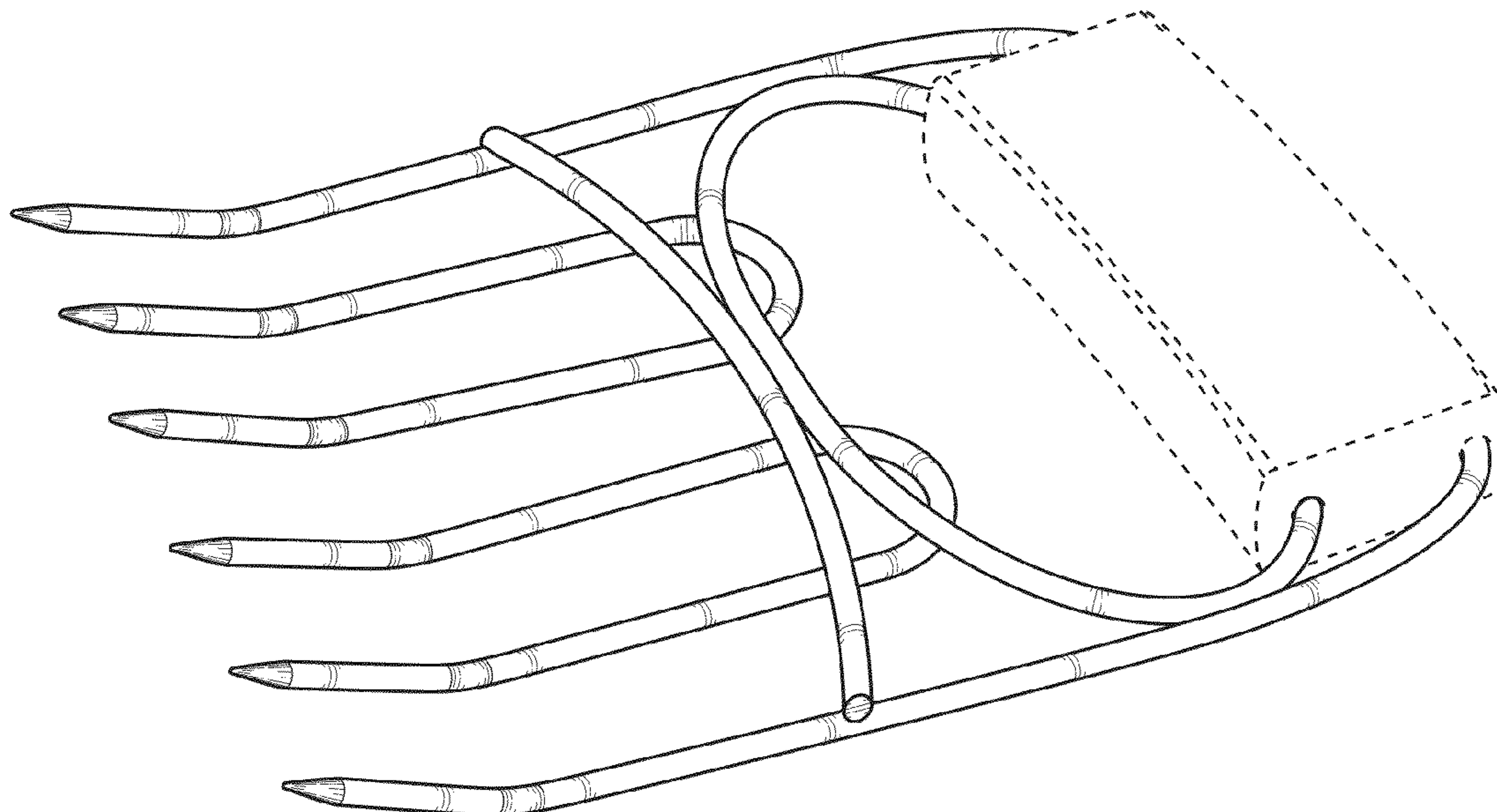
FIG. 6 is a front side elevational view thereof; and,

FIG. 7 is a rear side elevational view thereof.

The broken lines shown are included for the purpose of illustrating a portion of the utensil that forms no part of the claimed design.

The stippling in the drawings is for shading purposes only.

**1 Claim, 5 Drawing Sheets**



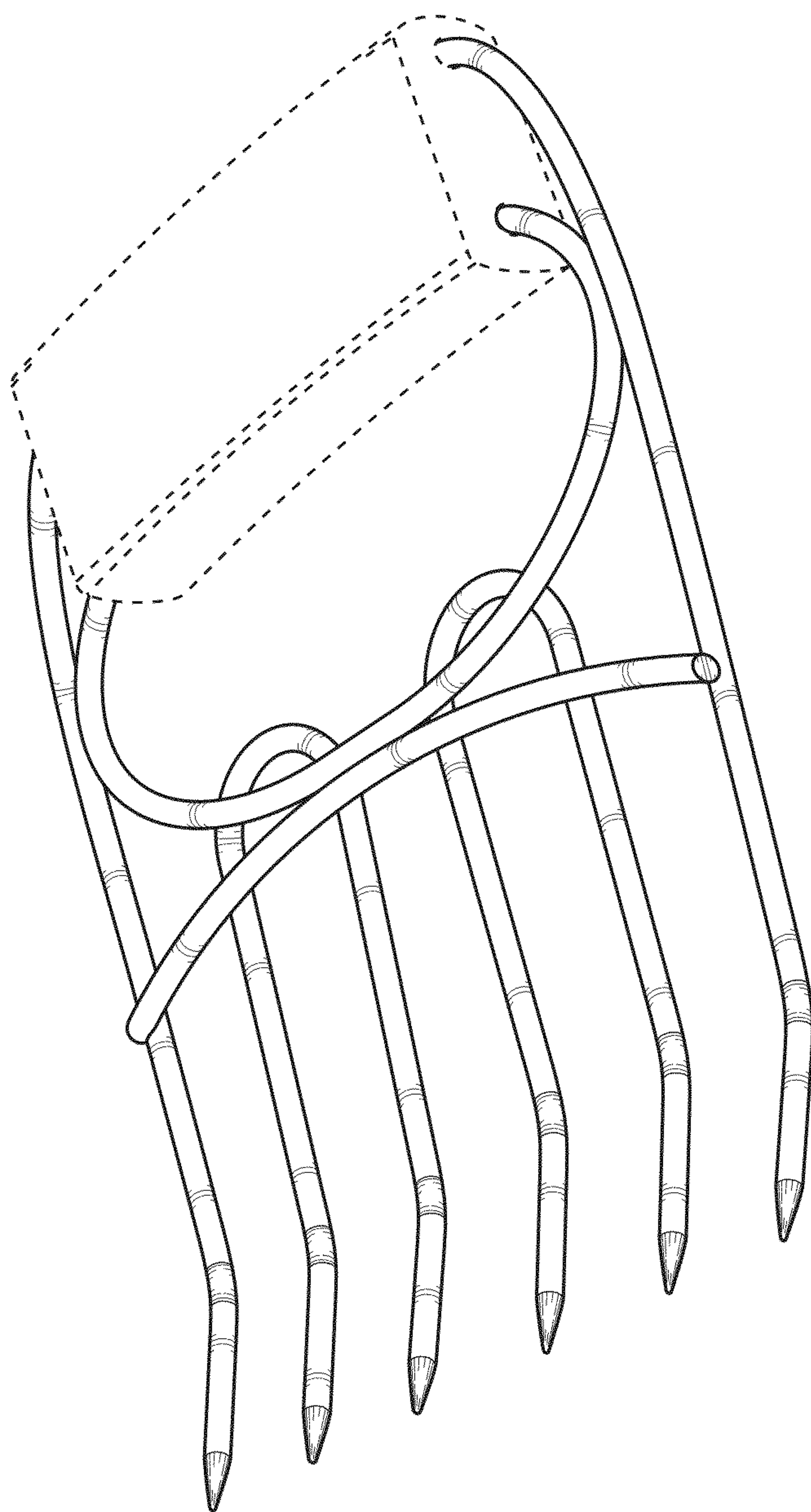


FIG. 1

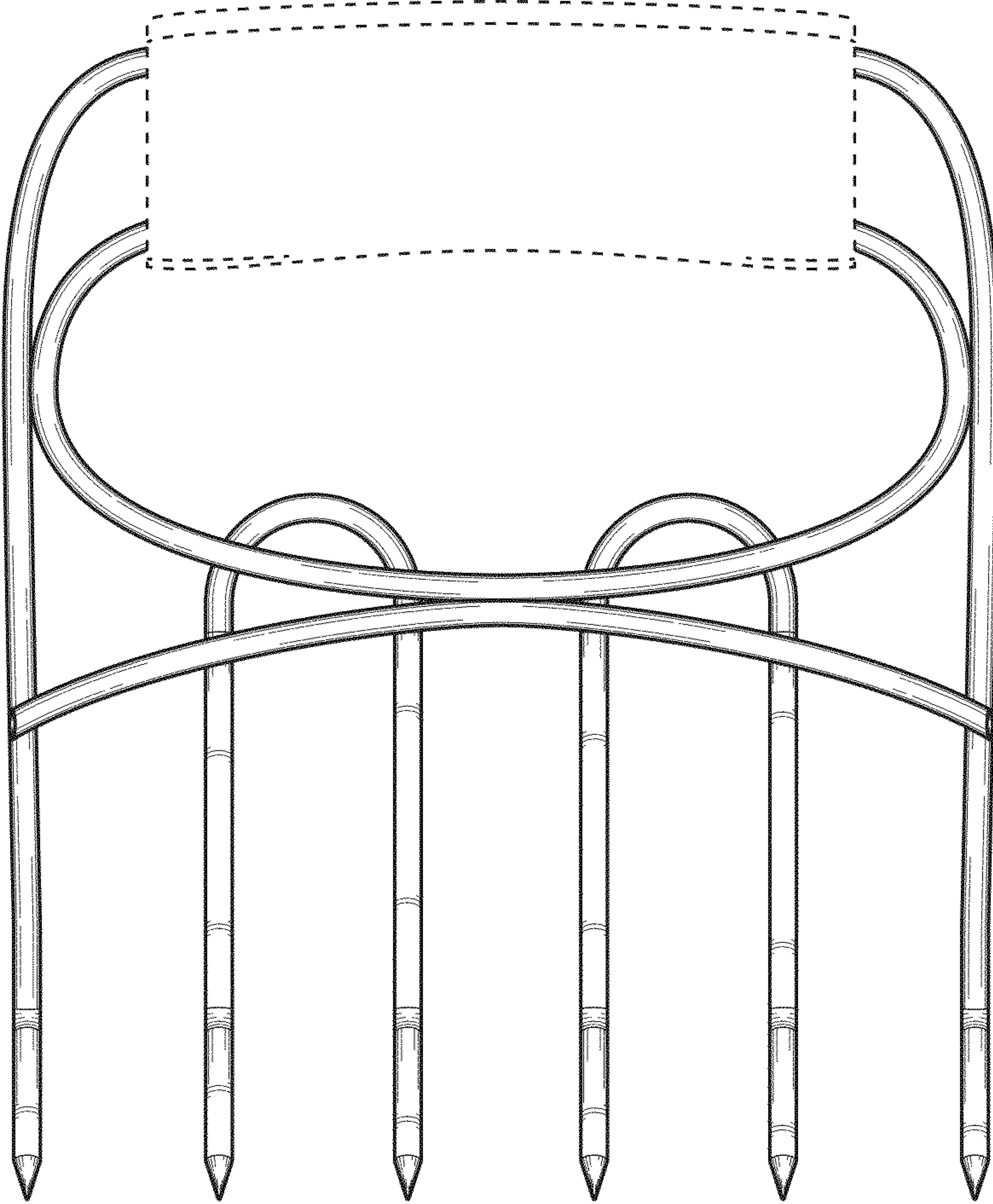


FIG. 2



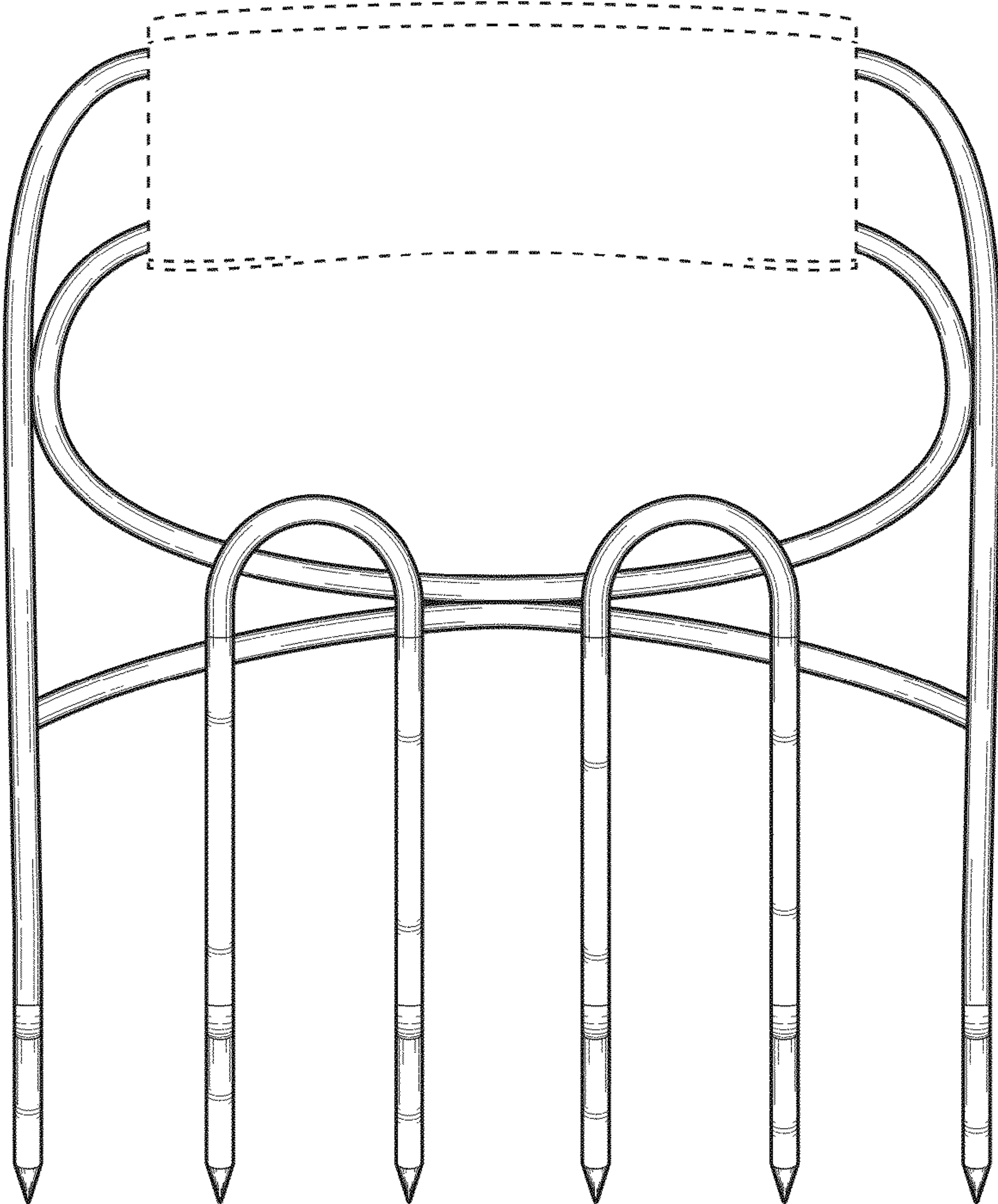


FIG. 3

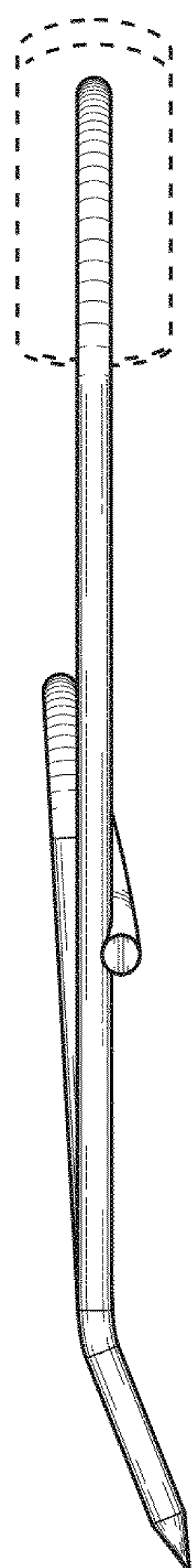


FIG. 4

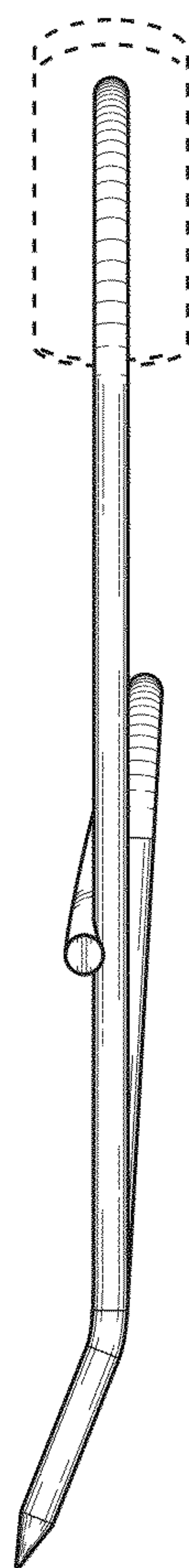


FIG. 5

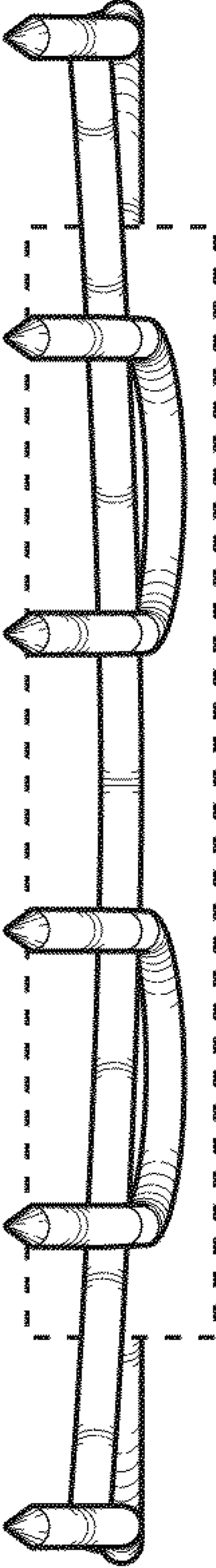


FIG. 6

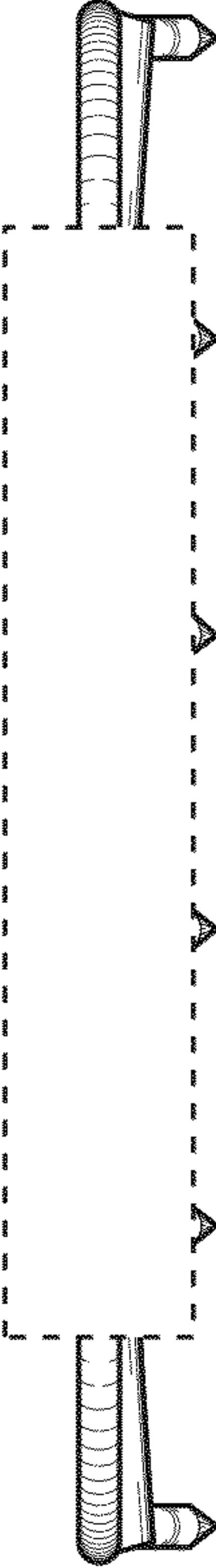


FIG. 7