



US00D685615S

(12) **United States Design Patent**  
**Altieri**

(10) **Patent No.:** **US D685,615 S**

(45) **Date of Patent:** **\*\* Jul. 9, 2013**

(54) **BEVERAGE COOLER**

(75) Inventor: **Anthony W. Altieri**, West Palm Beach, FL (US)

(73) Assignee: **ChillingTheMost, Inc.**, West Palm Beach, FL (US)

(\*\*) Term: **14 Years**

(21) Appl. No.: **29/391,339**

(22) Filed: **May 6, 2011**

(51) **LOC (9) Cl.** ..... **07-01**

(52) **U.S. Cl.**  
USPC ..... **D7/608**

(58) **Field of Classification Search**  
USPC ..... D7/605-608, 707-708, 619.1-625,  
D7/601-602; 62/457.8, 457.9, 457.4; 220/737,  
220/739, 902, 903; 215/386, 393-396;  
248/311.2, 309.1, 346.01, 346.11; D9/444  
See application file for complete search history.

(56) **References Cited**

**U.S. PATENT DOCUMENTS**

3,229,840	A *	1/1966	Filleul	.....	215/2
3,779,298	A *	12/1973	Piccirilli et al.	.....	220/4.21
4,197,890	A *	4/1980	Simko	.....	383/97
4,281,520	A *	8/1981	Norwood	.....	62/372
4,510,769	A *	4/1985	McClellan, Jr.	.....	62/457.8
4,708,254	A *	11/1987	Byrns	.....	215/13.1
4,869,382	A *	9/1989	Thompson	.....	215/12.1
5,390,804	A *	2/1995	Beggins	.....	215/386
D390,755	S *	2/1998	Hotton	.....	D7/608
D432,873	S *	10/2000	Fair	.....	D7/624.3
6,240,741	B1 *	6/2001	Dozhier	.....	62/457.3
D470,310	S *	2/2003	Walley et al.	.....	D7/624.3
6,550,271	B2 *	4/2003	Silbert	.....	62/457.4
D476,856	S *	7/2003	Belton et al.	.....	D7/605
6,604,649	B1 *	8/2003	Campi	.....	220/739
D524,157	S *	7/2006	Bolden	.....	D9/444
7,201,285	B2 *	4/2007	Beggins	.....	215/386

(Continued)

**OTHER PUBLICATIONS**

Bottle/Can Insulator, Chilling the Most Inc, posted date not given, © 2012 ChilingThe Most.com, [online], [site visited Sep. 24, 2012]. Available from Internet, <URL: http://stores.intuitwebsites.com/ChillingTheMostInc/-strse-1/Bottle-fdsh-Can-Insulator/Detail.bok>.\*

(Continued)

*Primary Examiner* — Jeffrey D Asch  
(74) *Attorney, Agent, or Firm* — McHale & Slavin, P.A.

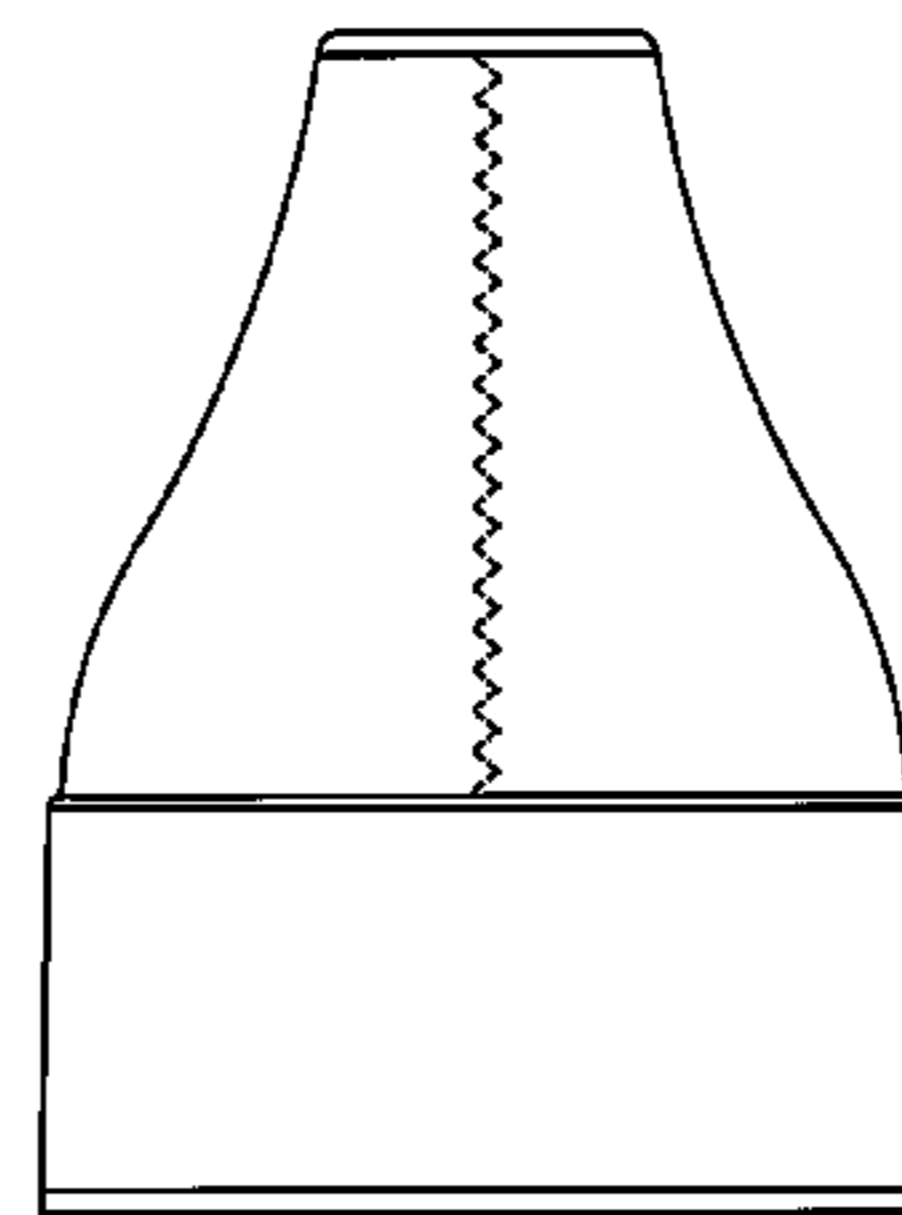
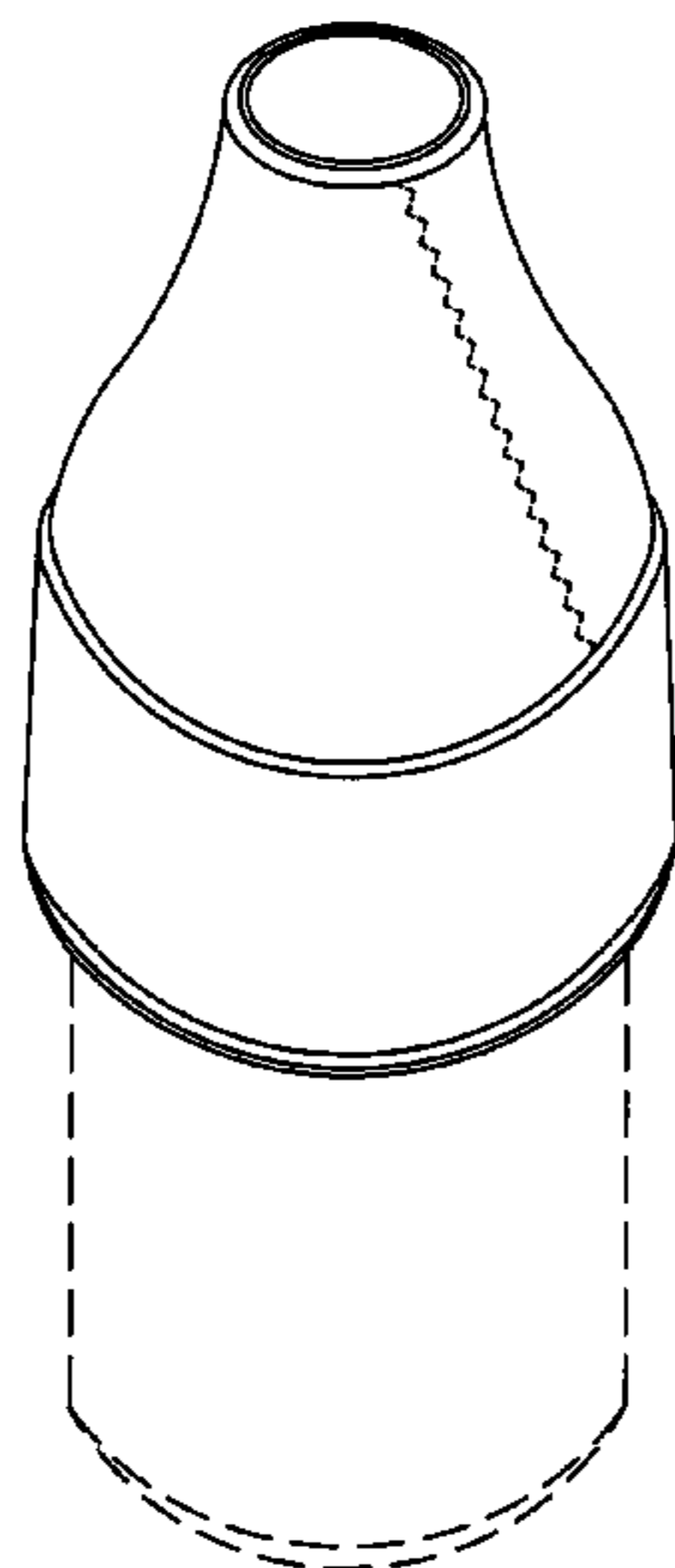
(57) **CLAIM**

The ornamental design for a beverage cooler, as shown and described.

**DESCRIPTION**

FIG. 1 is a perspective view of a beverage cooler showing my new design attached to an insulating bottle holder; FIG. 2 is a front elevation view of FIG. 1 illustrating a bottle placed within the beverage cooler; FIG. 3 is a top plan view of FIG. 1; FIG. 4 is a cross sectional side view taken along Section H-H of FIG. 3; FIG. 5 is a rear view of FIG. 1, the design being the same in appearance throughout its periphery except for the zigzag stitching at the front; FIG. 6 is a perspective view of the beverage cooler of FIG. 1 without the insulating beverage holder; FIG. 7 is a front elevation view of FIG. 6; FIG. 8 is a top plan view thereof; and, FIG. 9 is a cross sectional side view taken along Section C-C of FIG. 8. The broken zigzag line at the front represents stitching. The broken line showing of an insulating bottle holder in FIGS. 1, 2, 4, and 5, of a bottle in FIGS. 2 and 4, and of interior features in FIGS. 4 and 9 represent unclaimed subject matter and form no part of the claimed design.

**1 Claim, 7 Drawing Sheets**



# US D685,615 S

Page 2

---

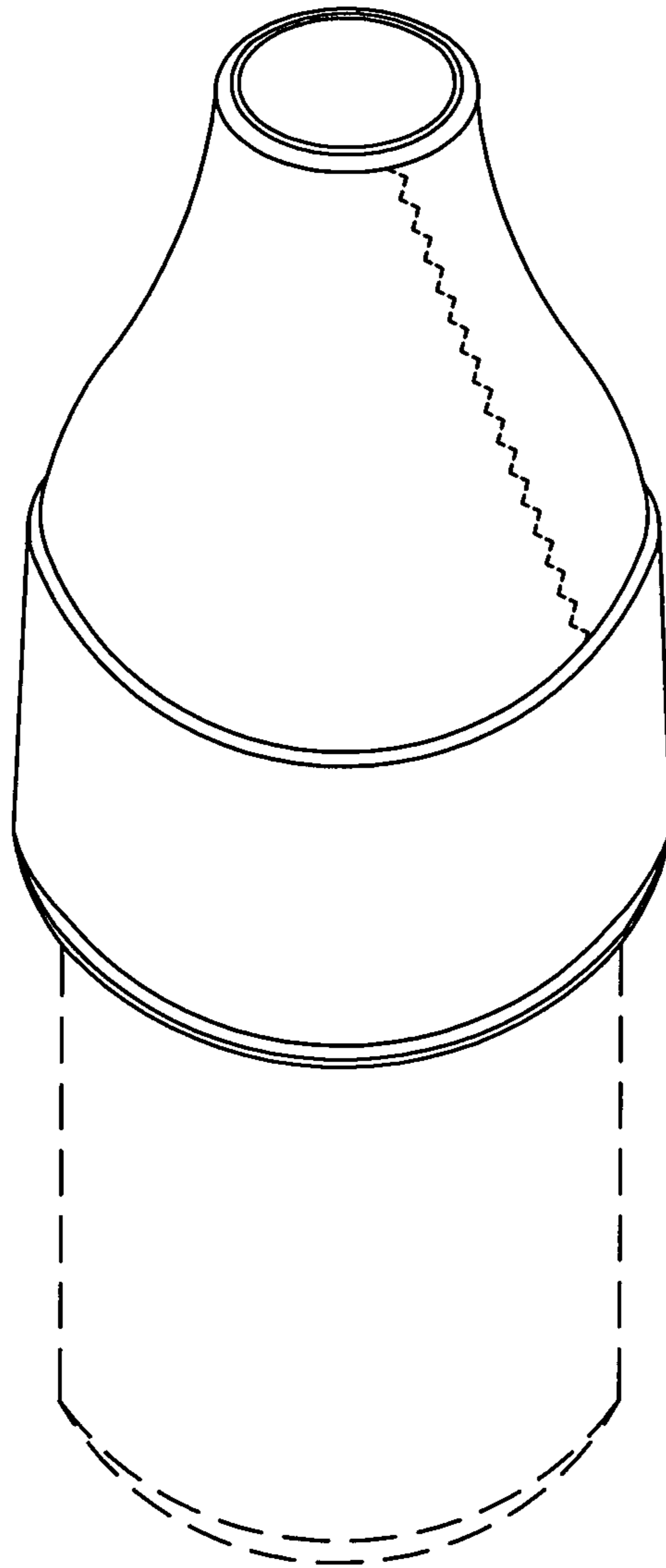
## U.S. PATENT DOCUMENTS

D585,245 S \* 1/2009 Brouillette ..... D7/608  
7,614,516 B2 \* 11/2009 Beggins ..... 215/386  
D614,001 S \* 4/2010 Welch ..... D7/605  
D614,451 S \* 4/2010 Jensen et al. .... D7/624.2  
D619,422 S \* 7/2010 Parker et al. .... D7/607  
D640,900 S \* 7/2011 Jesseph ..... D7/607  
8,104,636 B2 \* 1/2012 Crain et al. .... 220/739  
2010/0072159 A1 \* 3/2010 Yang ..... 215/6  
2010/0139310 A1 \* 6/2010 Poterek ..... 62/457.4

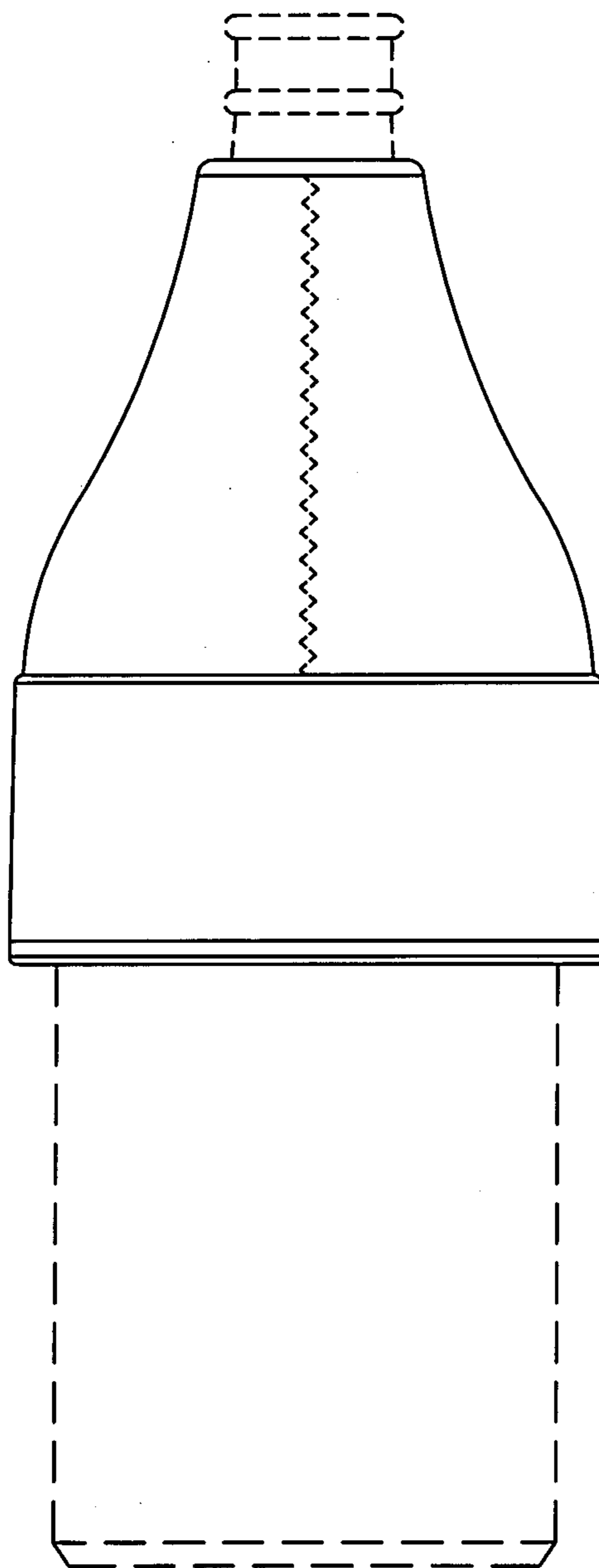
## OTHER PUBLICATIONS

Thermos Beverage Bottle Insulator, Gourmet World, posted date not given, © 2008 GourmetWorld.com, [online], [site visited Sep. 24, 2012]. Available from Internet, <URL: <http://www.gourmetworld.com/brands/wt/barware/2710/>>.\*

\* cited by examiner



*FIG. 1*



**FIG. 2**

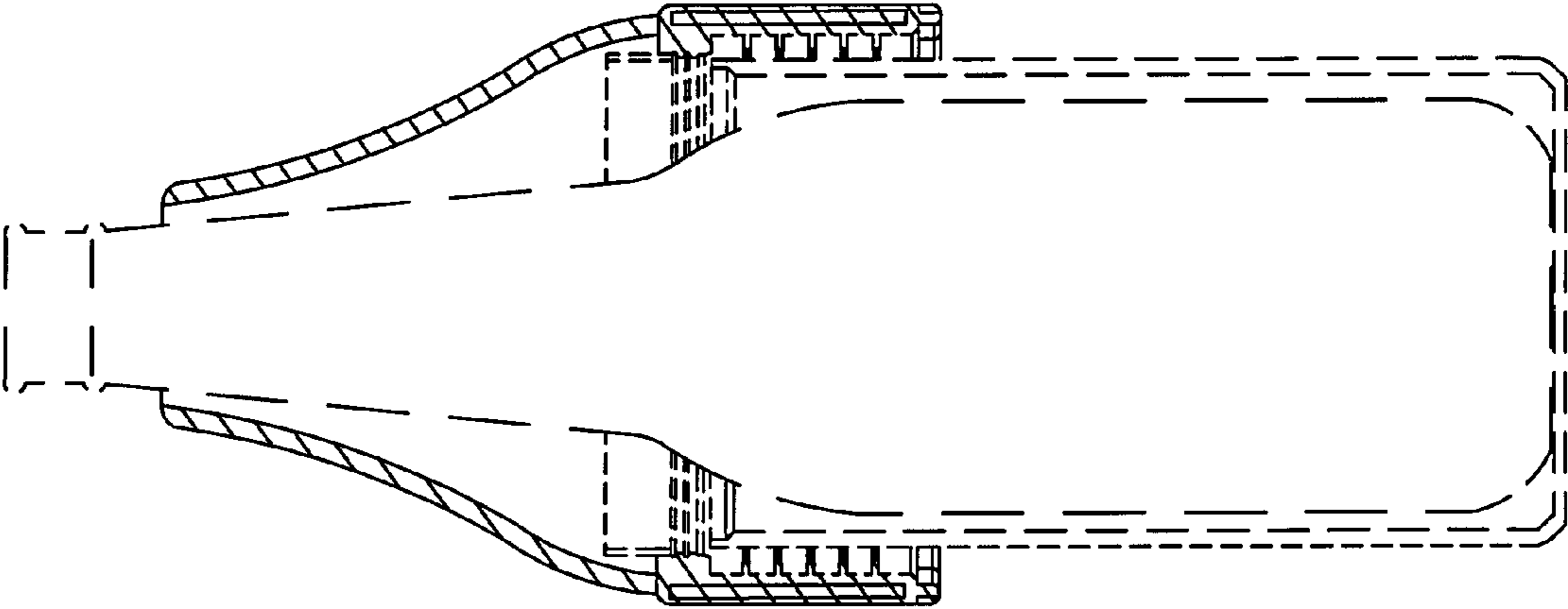


FIG. 4

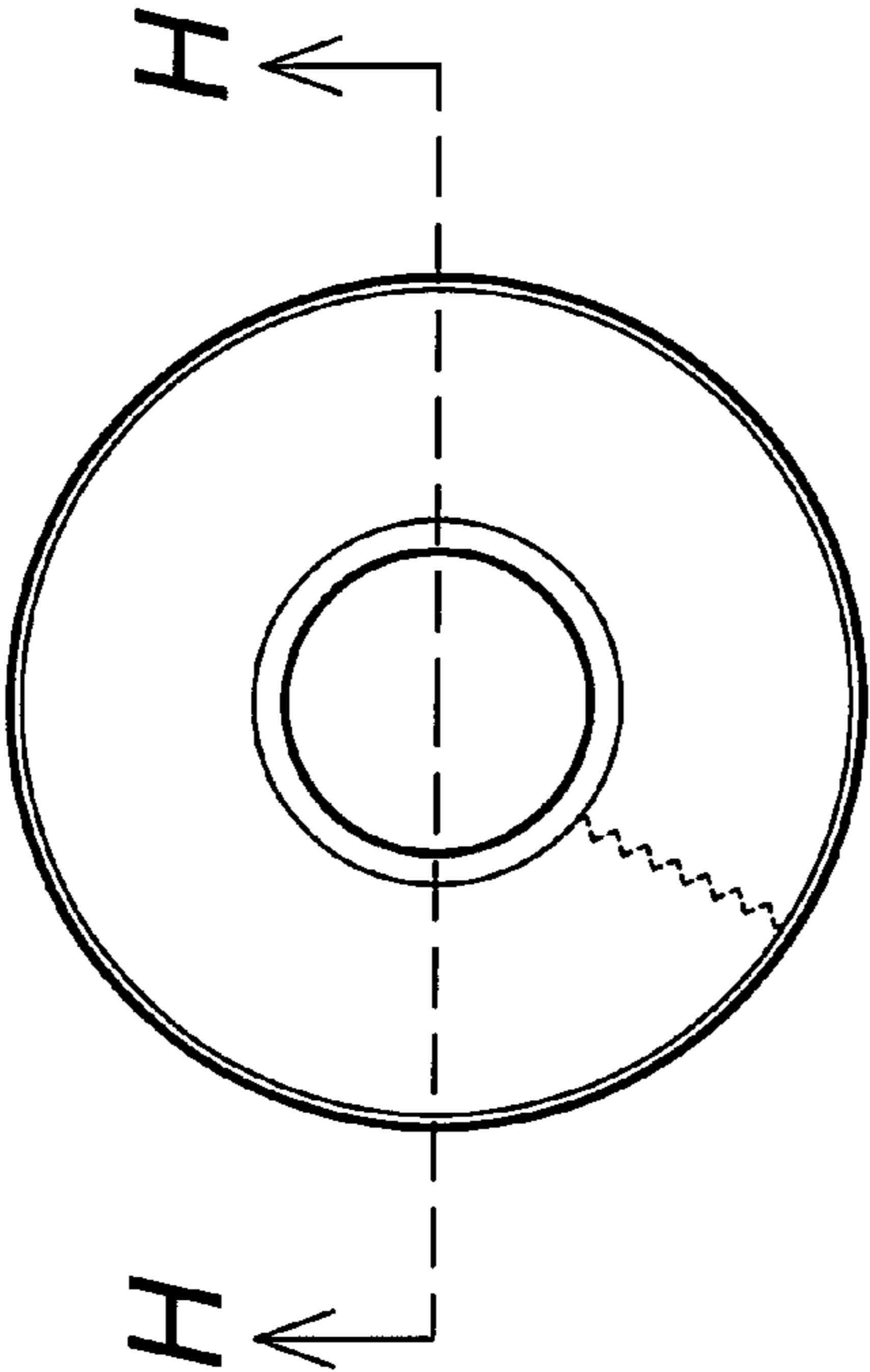
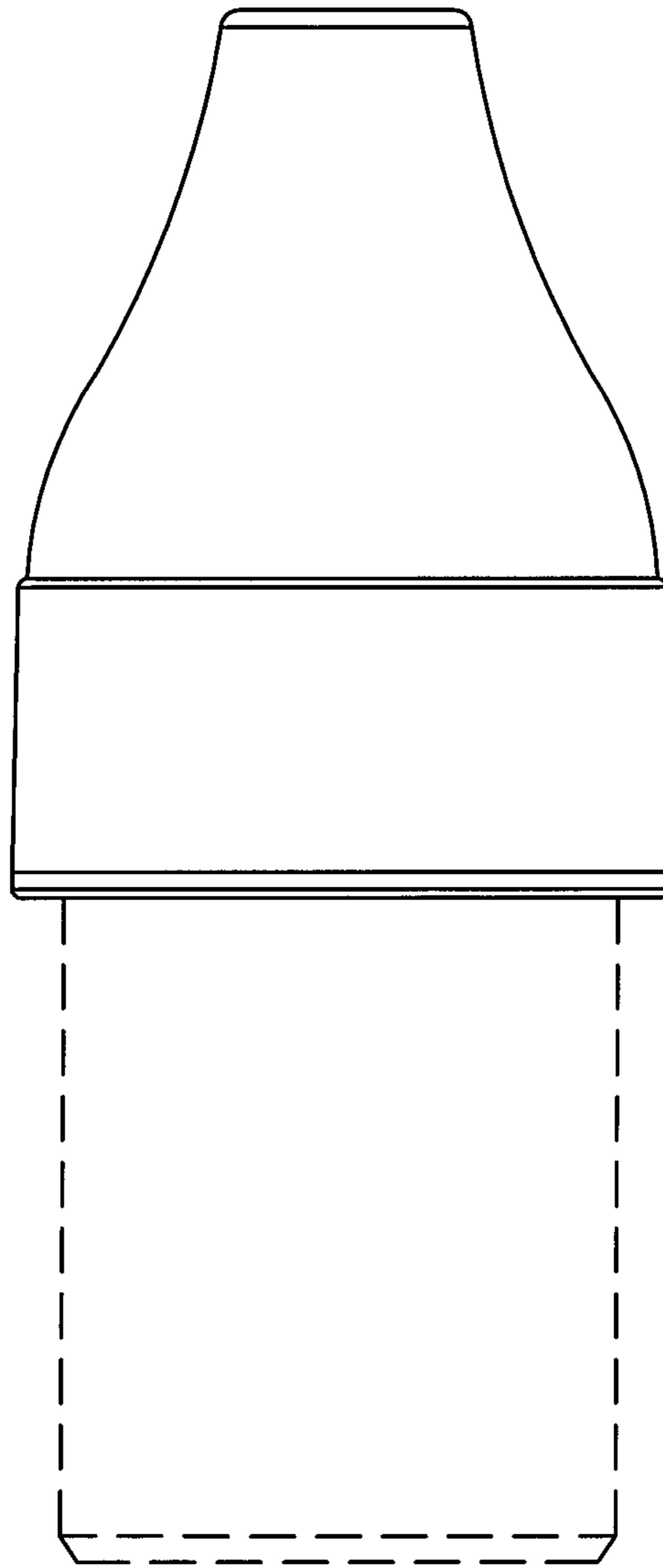
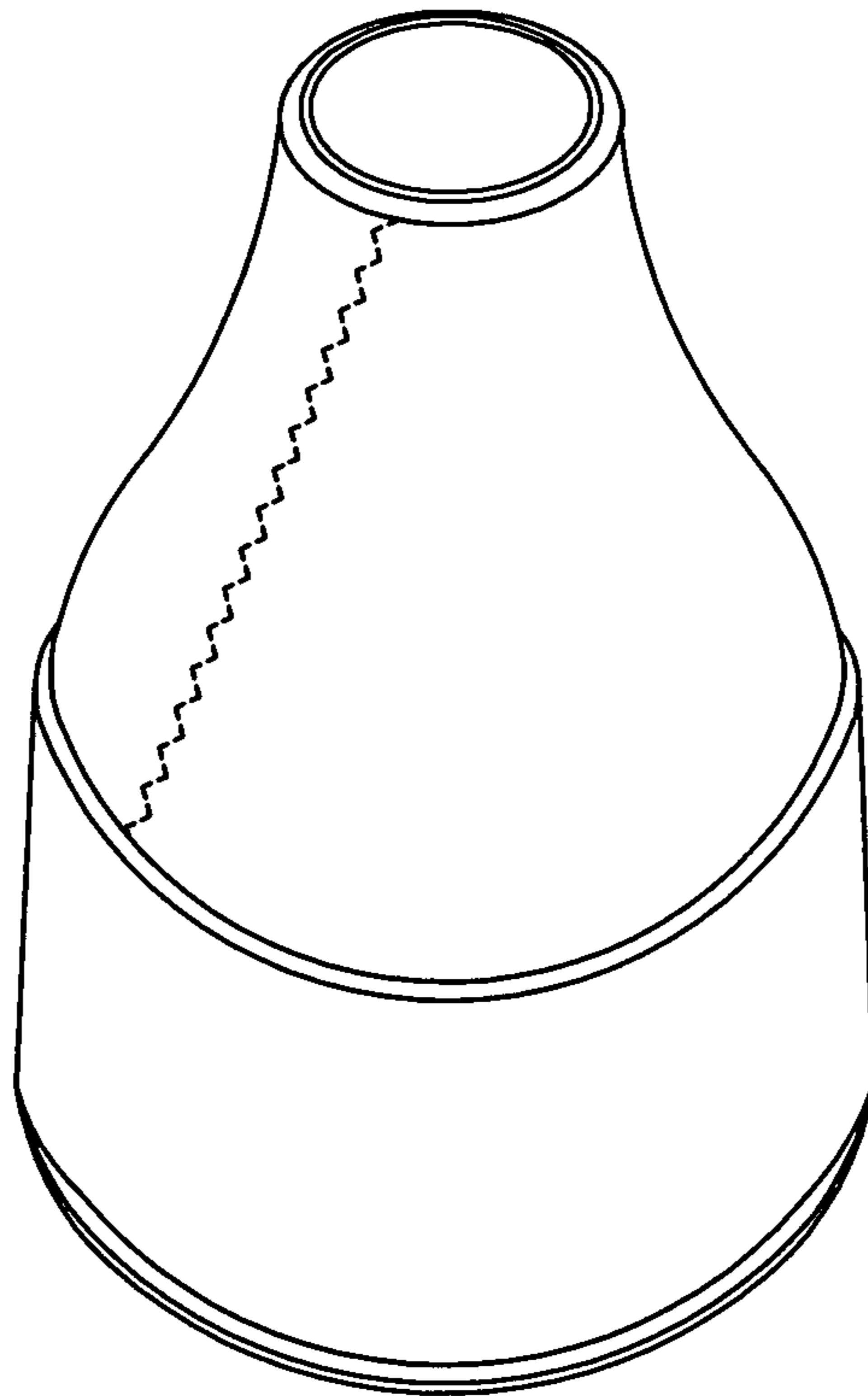


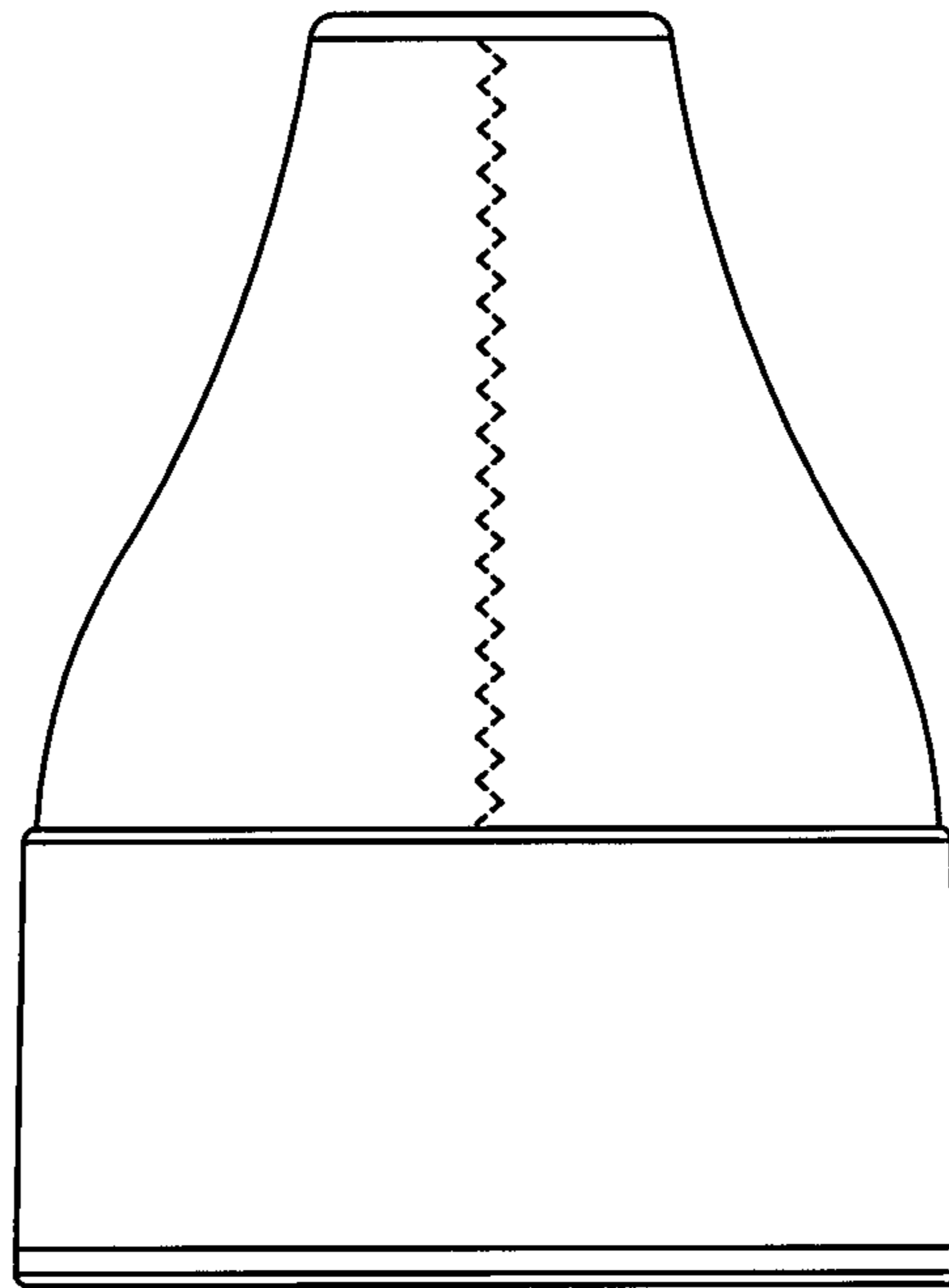
FIG. 3



*FIG. 5*



**FIG. 6**



*FIG. 7*



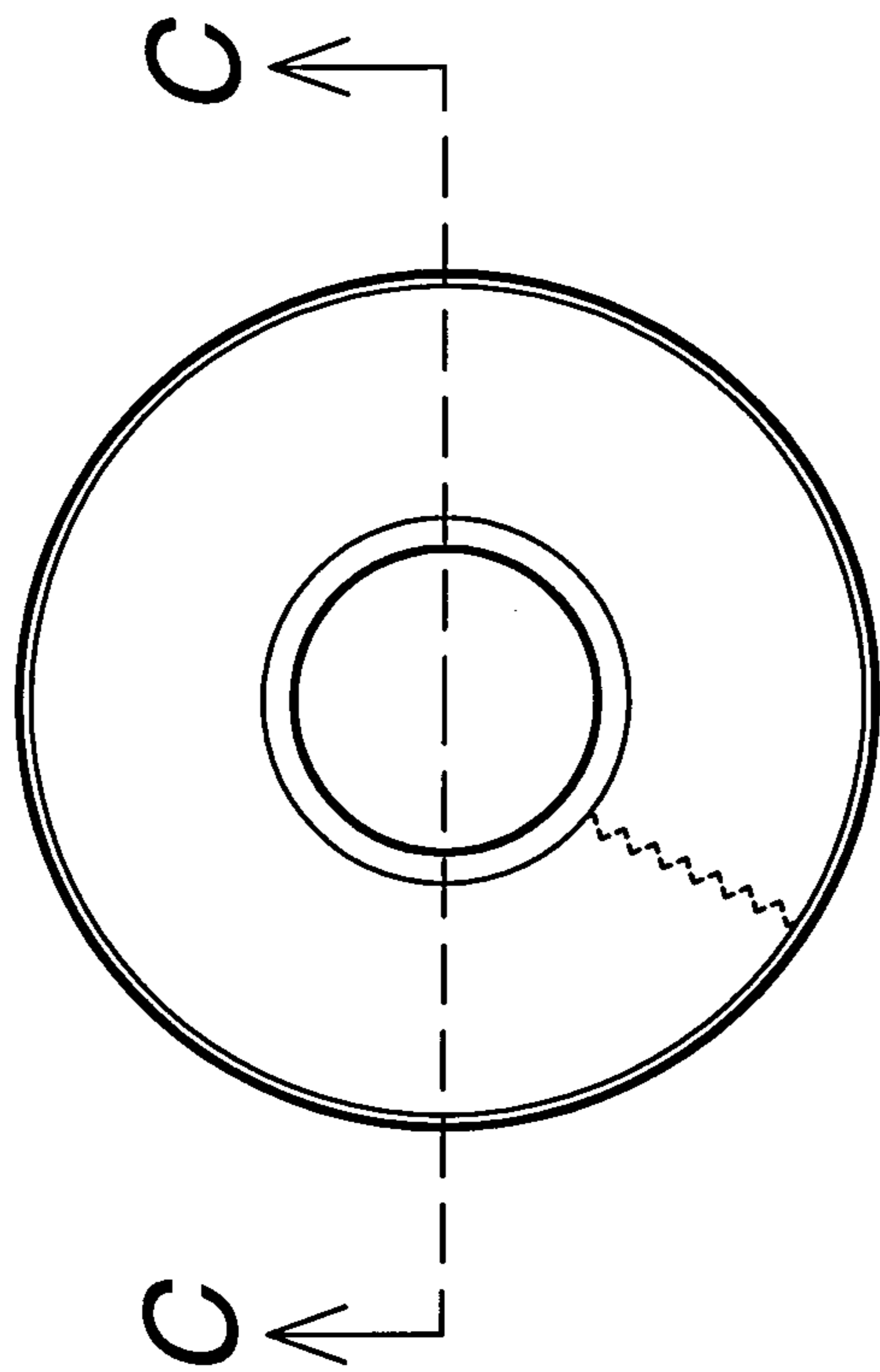


FIG. 8

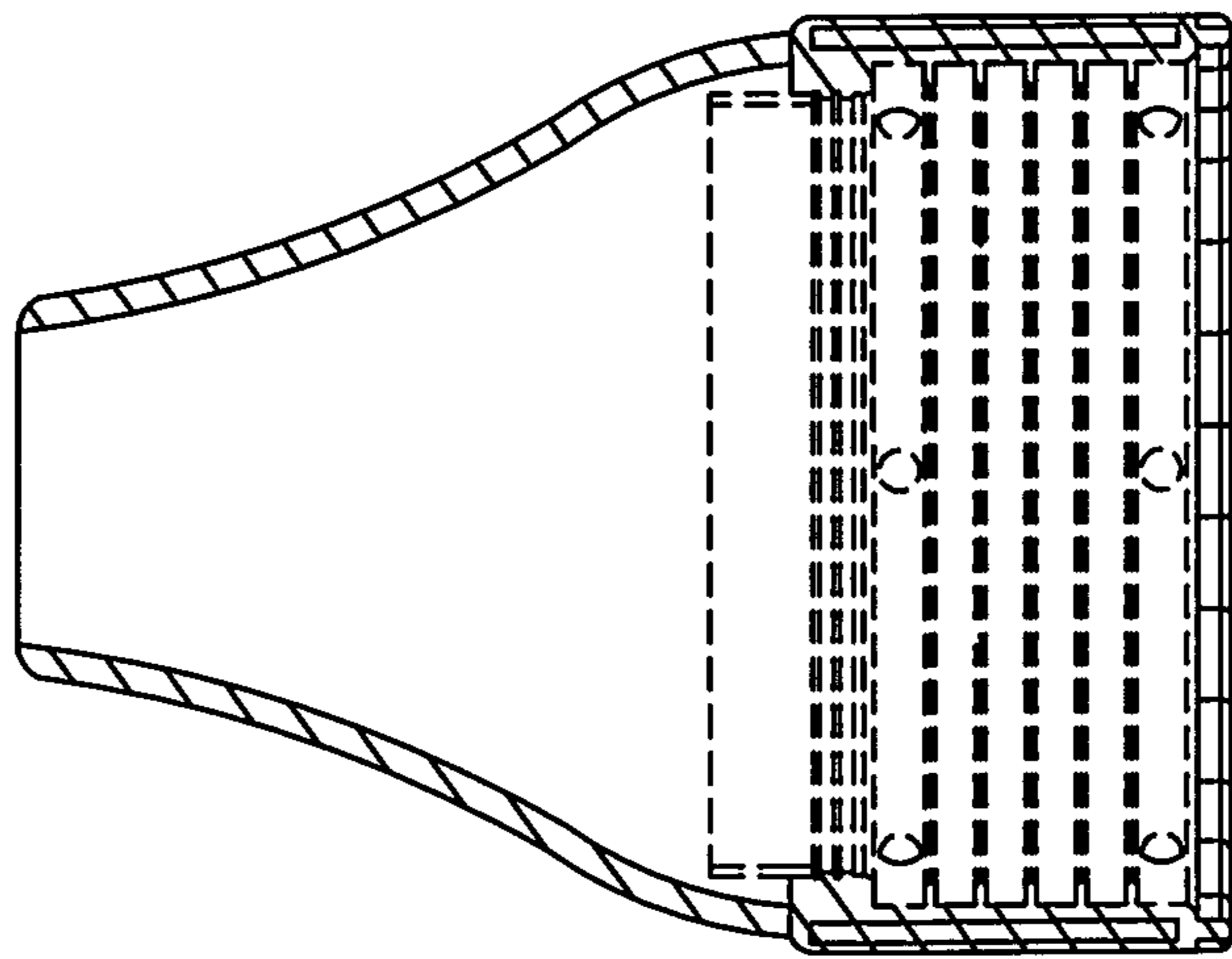


FIG. 9