



US00D685614S

(12) **United States Design Patent**
Goodman et al.

(10) **Patent No.:** **US D685,614 S**
(45) **Date of Patent:** **** Jul. 9, 2013**

- (54) **SINGLE CUP COFFEE CADDY**
- (75) Inventors: **Sheldon H. Goodman**, Solon, OH (US);
Phaysouk Xaoiphonh, Akron, OH (US);
Grace Lee, Mayfield, OH (US)
- (73) Assignee: **Spectrum Diversified Designs, Inc.**,
Streetsboro, OH (US)
- (*) Notice: This patent is subject to a terminal disclaimer.
- (**) Term: **14 Years**
- (21) Appl. No.: **29/413,886**
- (22) Filed: **Feb. 22, 2012**
- (51) **LOC (9) Cl.** **07-06**
- (52) **U.S. Cl.**
USPC **D7/600.4**
- (58) **Field of Classification Search**
USPC D7/501, 503, 518, 521, 582–584,
D7/600.1–600.4, 587, 590, 601, 611, 615,
D7/632, 647, 660, 701–708; D6/396, 397,
D6/400, 449, 451, 454–469, 450, 512, 514,
D6/521, 534, 552; 211/14, 68, 69.5, 70.1,
211/70.3, 70.6, 70.7, 71.01, 74, 77, 78, 85.18,
211/85.31, 106, 181.1, 119.12, 128.1, 85.26,
211/85.4, 126.7, 126.8, 126.9, 126.11, 126.12,
211/129.1, 133.1, 133.2, 133.4, 133.5, 3.2,
211/133.6, 131.1, 41.4, 85.5; 248/107, 112,
248/175, 176.1, 346.01, 346.03, 346.11,
248/583, 662, 676, 678
See application file for complete search history.

- D620,728 S * 8/2010 Snider D6/462
- D634,979 S * 3/2011 Tiemann D7/600.4
- D635,405 S * 4/2011 Tiemann D7/600.4
- D639,611 S * 6/2011 Goodman et al. D7/600.4
- D656,363 S * 3/2012 Tiemann et al. D7/601
- D661,952 S * 6/2012 Tiemann D7/600.1

* cited by examiner

Primary Examiner — Ian Simmons

Assistant Examiner — Shannon Weekley

(74) *Attorney, Agent, or Firm* — Benesch Friedlander
Coplan & Aronoff LLP

(57) **CLAIM**

What is claimed is the ornamental design for a single cup coffee caddy, as shown and described.

DESCRIPTION

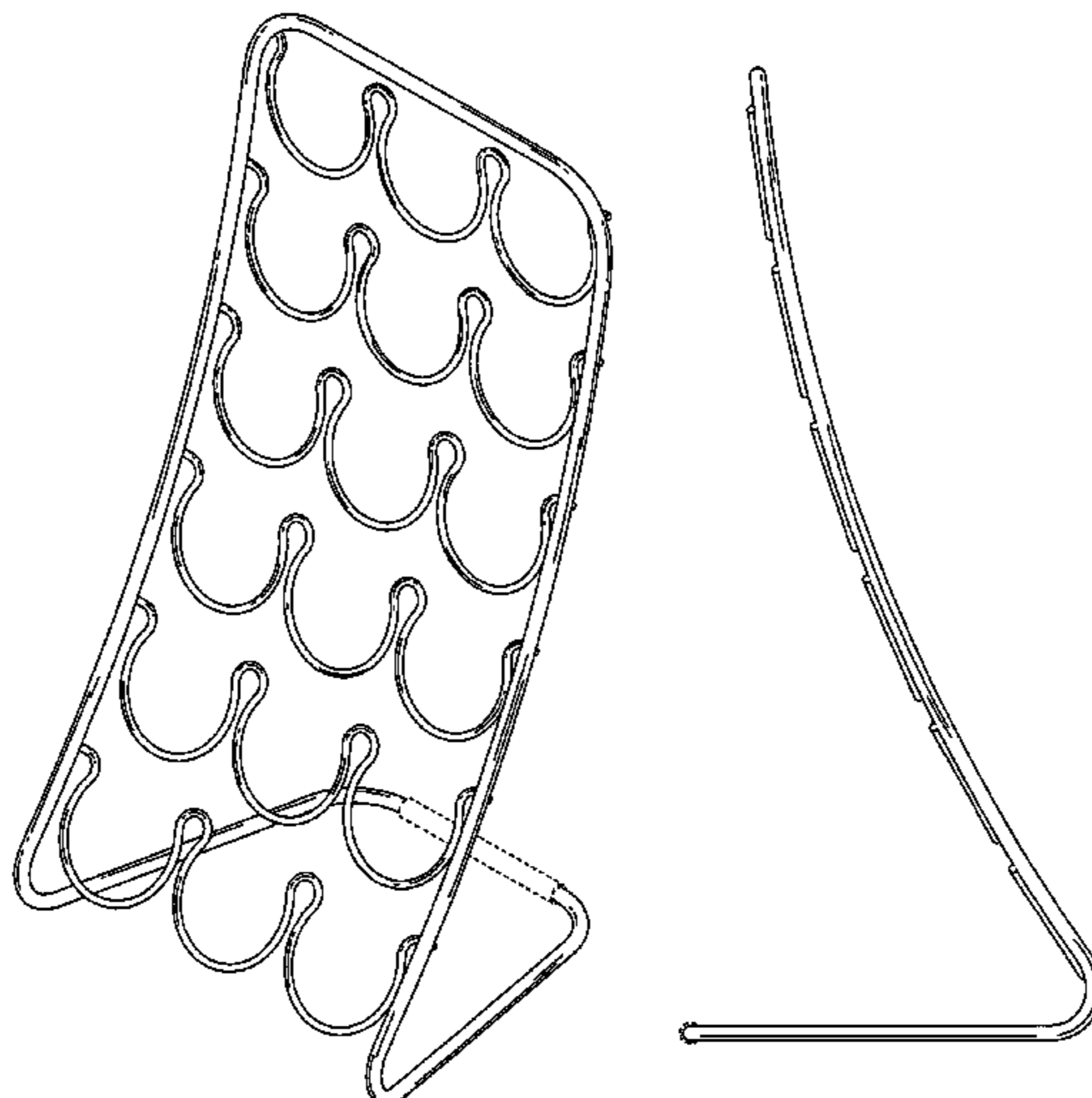
FIG. 1 is a perspective view of a single cup coffee caddy showing our new design;
 FIG. 2 is a front view of the single cup coffee caddy of FIG. 1;
 FIG. 3 is a rear view of the single cup coffee caddy of FIG. 1;
 FIG. 4 is a right side view of the single cup coffee caddy of FIG. 1;
 FIG. 5 is a left side view of the single cup coffee caddy of FIG. 1;
 FIG. 6 is a top view of the single cup coffee caddy of FIG. 1;
 FIG. 7 is a bottom view of the single cup coffee caddy of FIG. 1; and,
 FIG. 8 is a perspective view of a single cup coffee caddy showing a second embodiment of our new design. The single cup coffee caddy is shown broken in the middle along the length and width to indicate indeterminate length, with the understanding that the “indeterminate” length and width portion of the caddy not shown forms no part of the claim design. Patentability is based only on those portions of the article that are shown in solid lines.
 The components of the display shown in broken lines illustrate portions of the single cup coffee caddy which form no part of the claimed design.

(56) **References Cited**

U.S. PATENT DOCUMENTS

- D228,600 S * 10/1973 Moffatt D6/310
- D243,738 S * 3/1977 Johnson D7/704
- D317,095 S * 5/1991 Albers et al. D6/464
- D590,183 S * 4/2009 Hensel D6/457
- D616,271 S * 5/2010 Goodman et al. D7/704

1 Claim, 5 Drawing Sheets



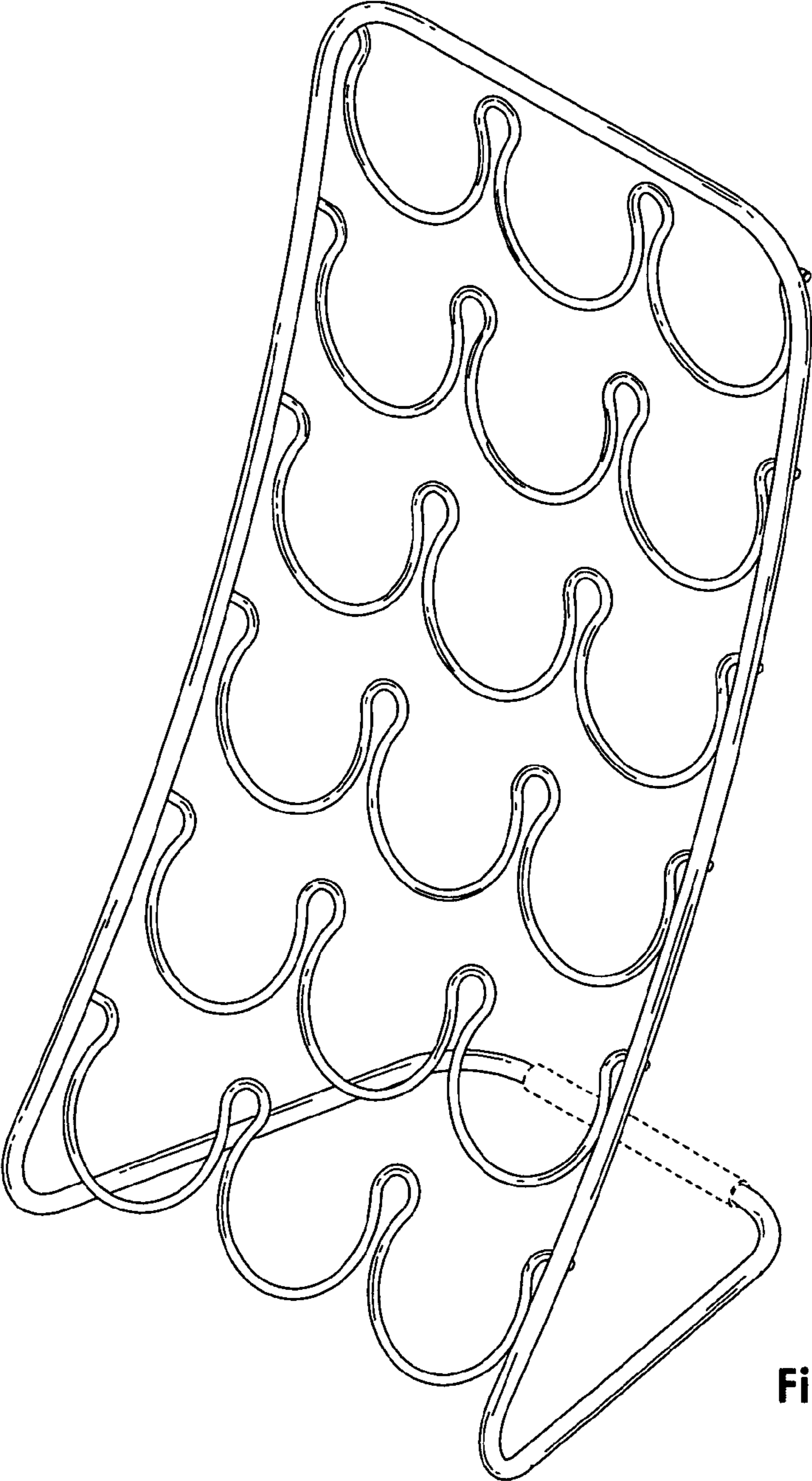


Figure 1

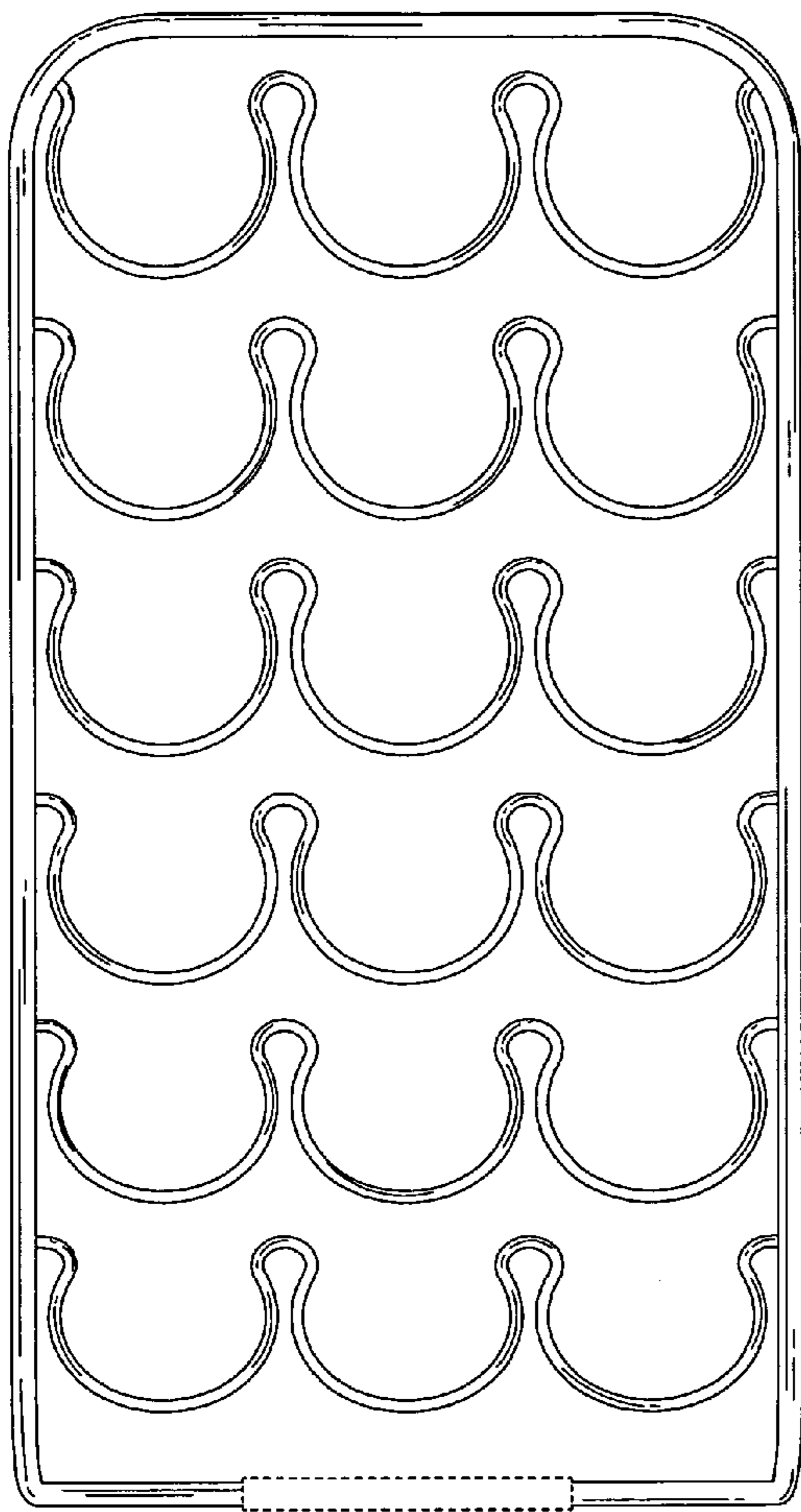


Figure 2

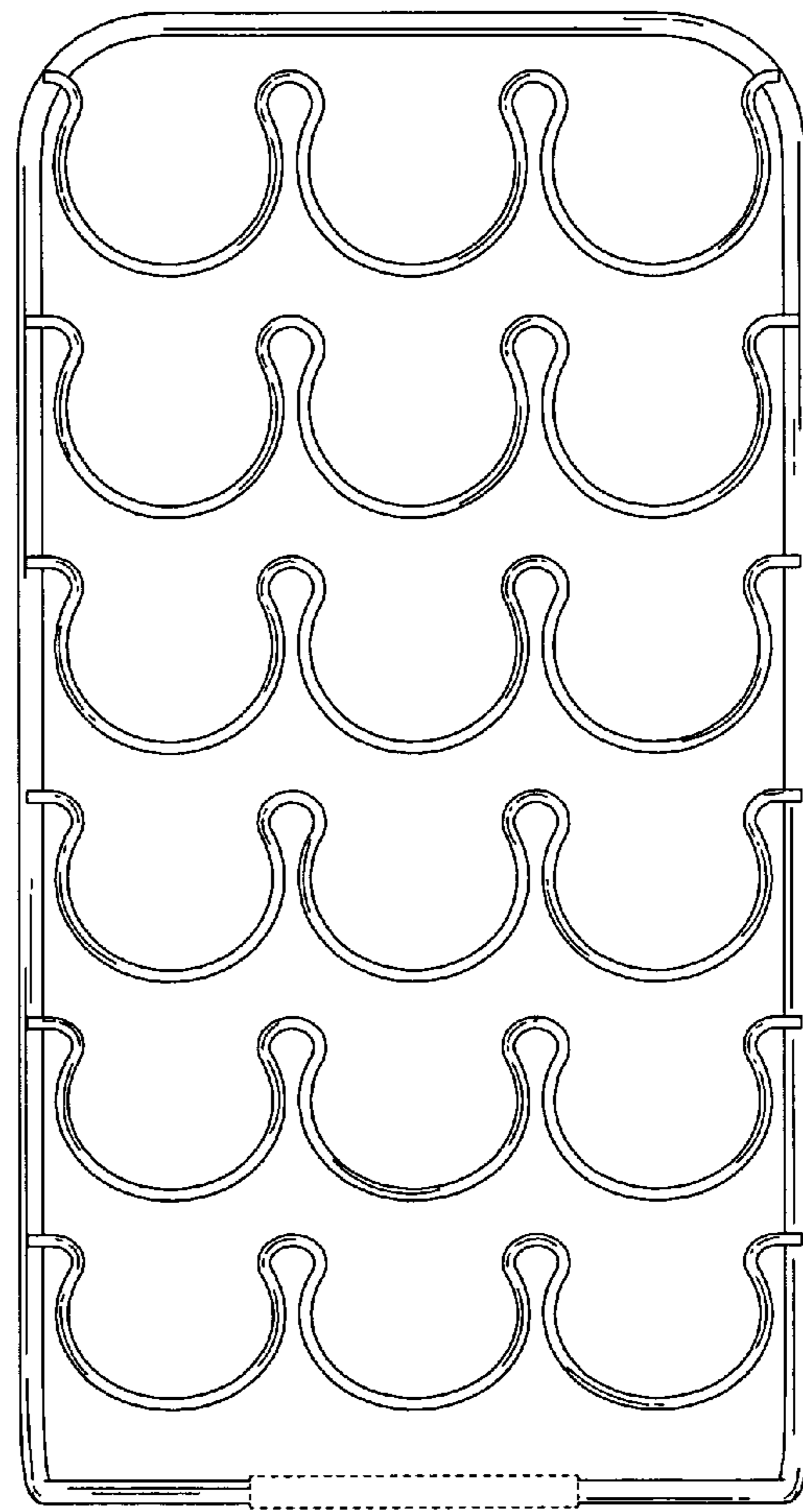


Figure 3

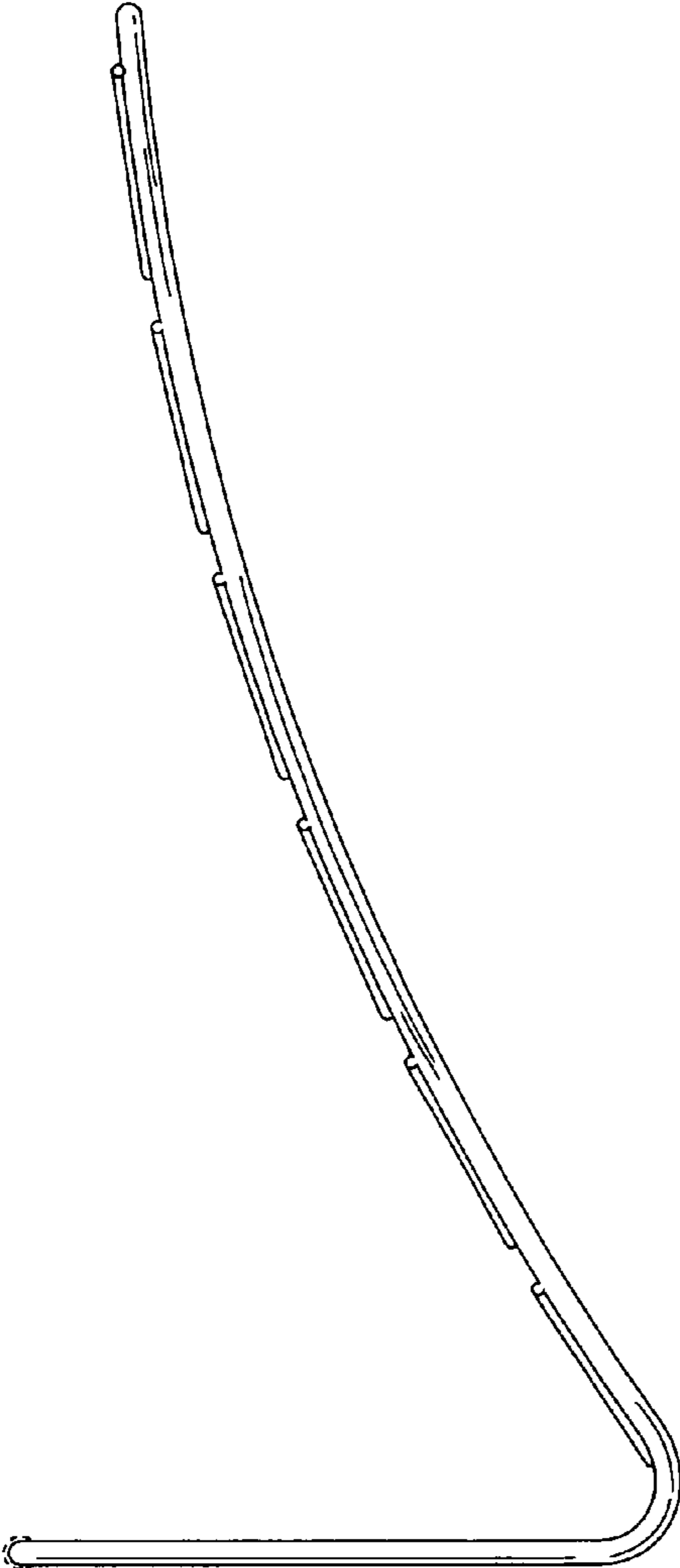


Figure 4

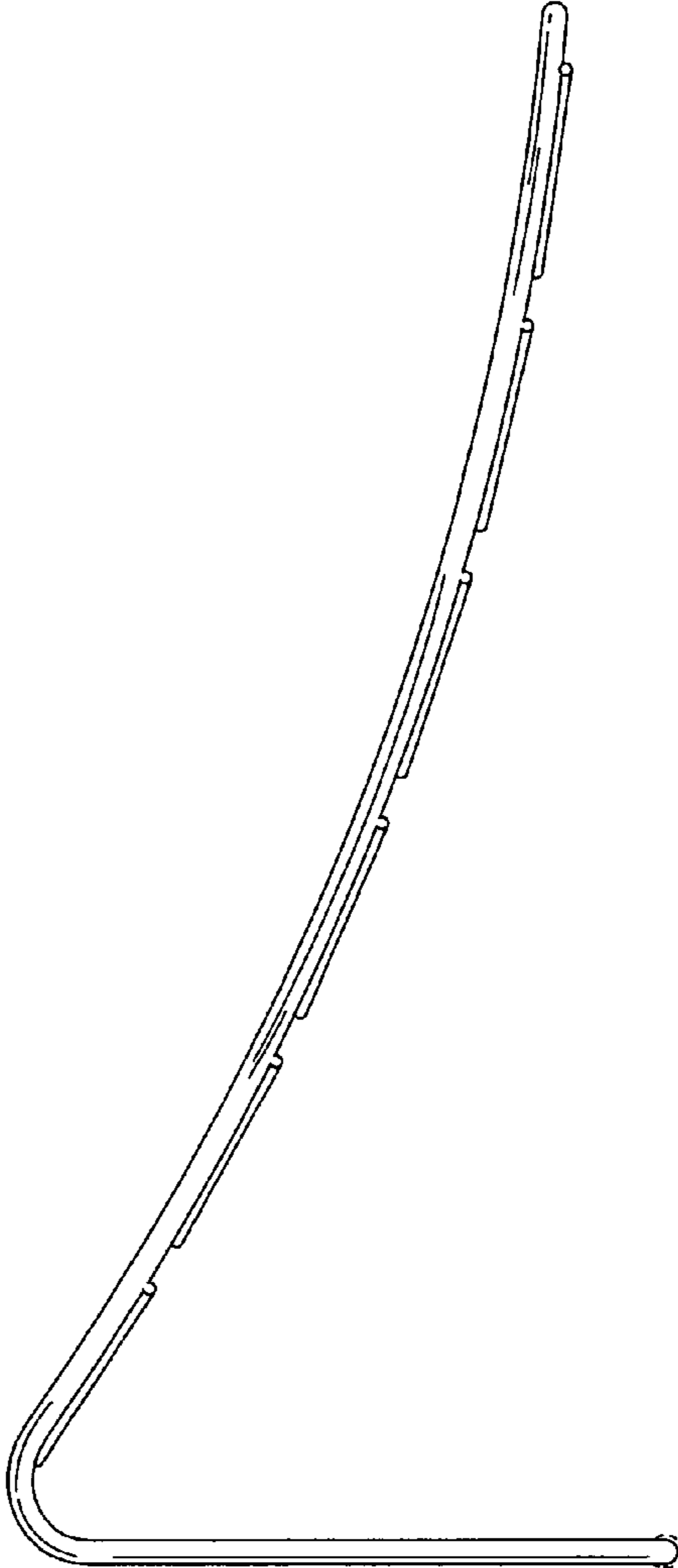


Figure 5

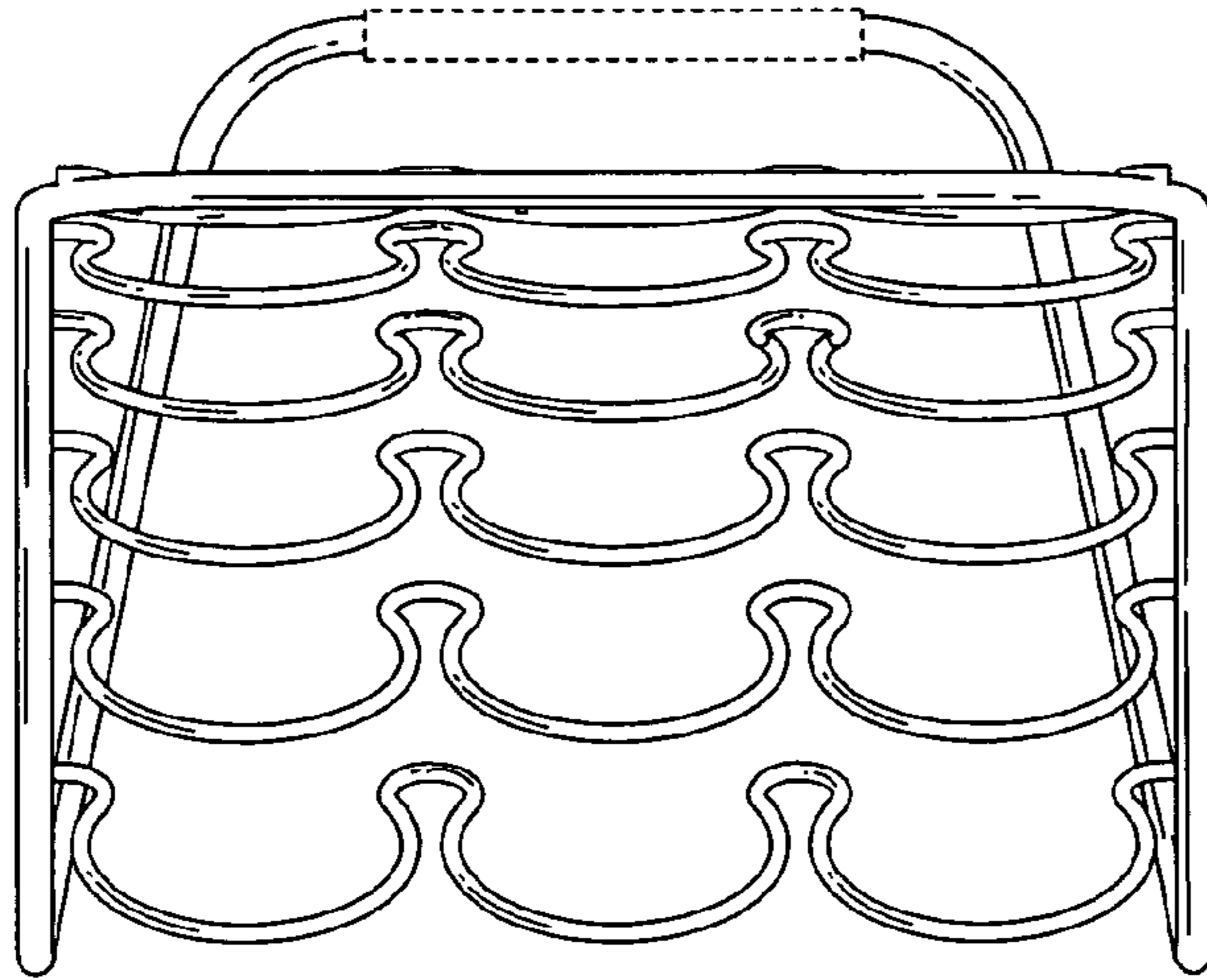


Figure 6

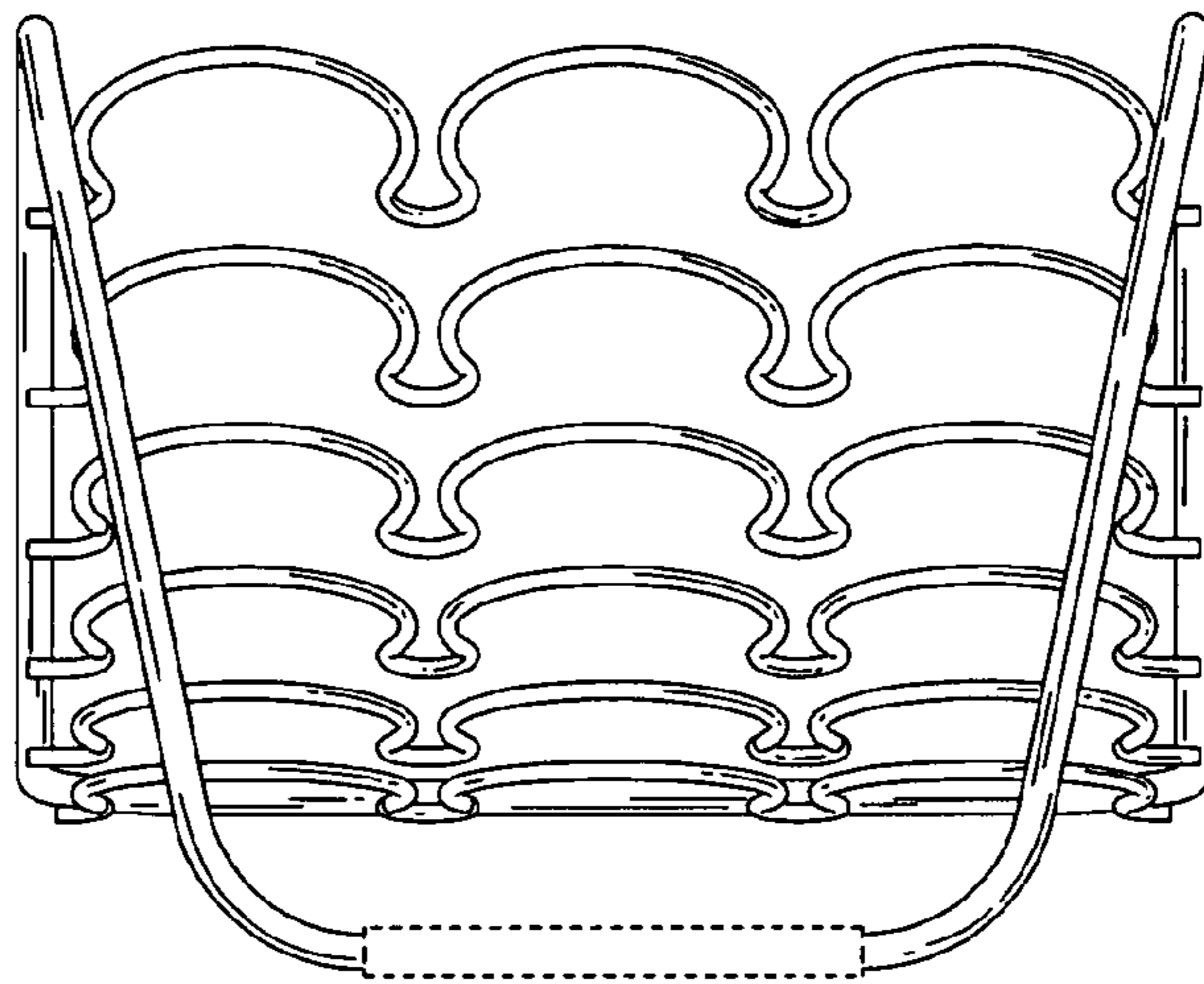


Figure 7

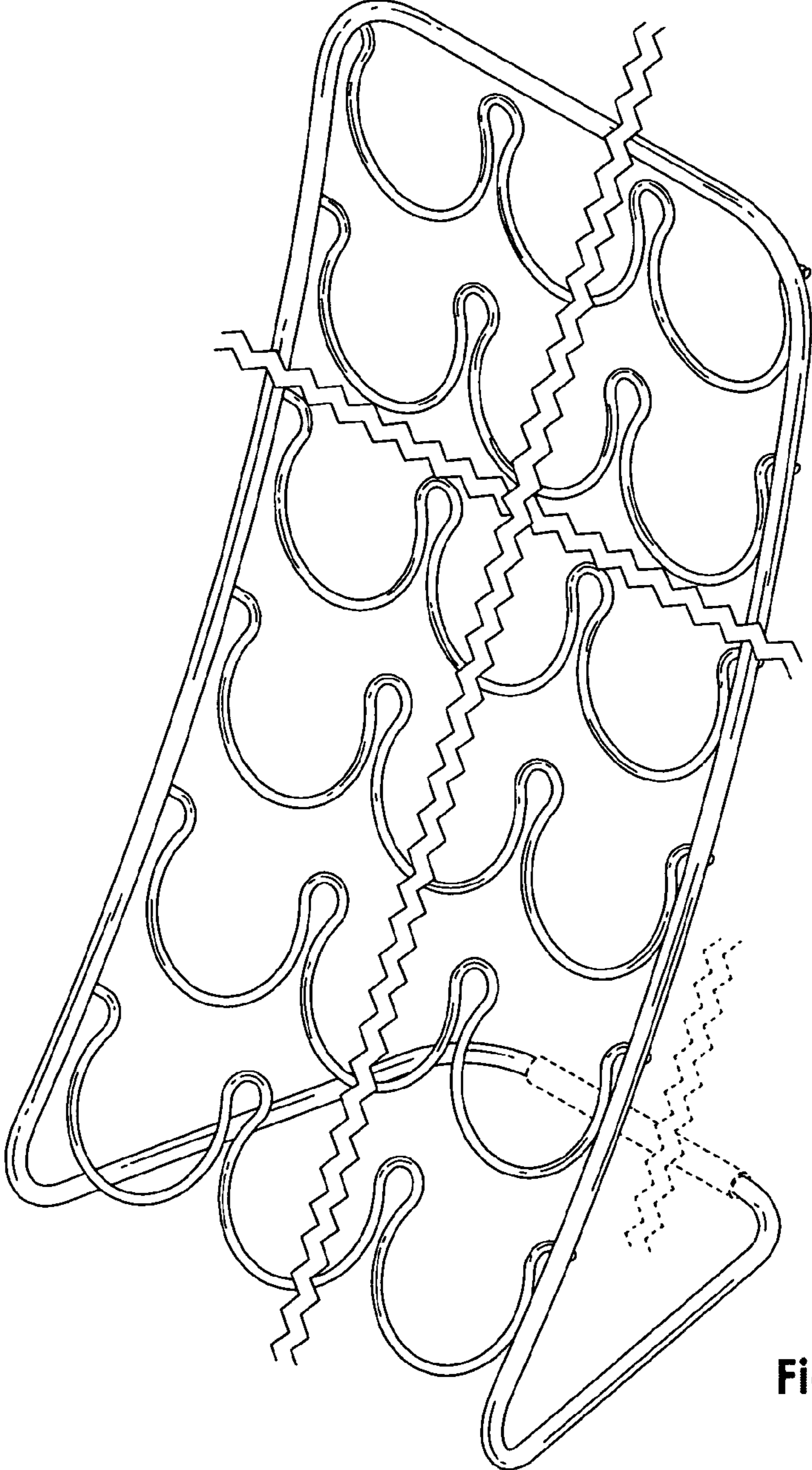


Figure 8