



US00D685613S

(12) **United States Design Patent**
Baez

(10) **Patent No.:** **US D685,613 S**
(45) **Date of Patent:** **** Jul. 9, 2013**

- (54) **FOOD SERVICE TRAY**
- (71) Applicant: **Cambro Manufacturing Company,**
Huntington Beach, CA (US)
- (72) Inventor: **Jorge Baez,** Lake Forest, CA (US)
- (73) Assignee: **Cambro Manufacturing Co.,**
Huntington Beach, CA (US)
- (**) Term: **14 Years**
- (21) Appl. No.: **29/438,090**
- (22) Filed: **Nov. 26, 2012**
- (51) **LOC (9) Cl.** **07-01**
- (52) **U.S. Cl.**
USPC **D7/553.1**
- (58) **Field of Classification Search**
USPC D7/550.1, 396.1, 552.1, 553.1-553.4,
D7/553.8, 554.1, 554.2, 555, 701; 220/495.03,
220/527, 553, 555-557, 574-575
See application file for complete search history.

| | | | | | | |
|--------------|----|---|---------|-----------------|-------|----------|
| D484,746 | S | * | 1/2004 | McMullin | | D7/553.6 |
| D494,012 | S | | 8/2004 | Bandy-Helderman | | |
| 6,840,395 | B2 | * | 1/2005 | Agarwal et al. | | 220/556 |
| 7,017,774 | B2 | * | 3/2006 | Haedt | | 220/735 |
| D547,127 | S | * | 7/2007 | Haughton | | D7/555 |
| D572,536 | S | * | 7/2008 | Cox | | D7/553.1 |
| D573,407 | S | * | 7/2008 | Cox | | D7/553.1 |
| 7,506,489 | B2 | * | 3/2009 | Schiltz et al. | | 53/443 |
| D595,093 | S | * | 6/2009 | McComas | | D7/546 |
| D602,743 | S | | 10/2009 | Clark | | |
| D623,018 | S | * | 9/2010 | Reyhan | | D7/550.1 |
| D625,958 | S | * | 10/2010 | Deming | | D7/553.6 |
| D625,960 | S | * | 10/2010 | Lipfert et al. | | D7/553.8 |
| 7,908,181 | B2 | | 3/2011 | Dotson | | |
| D653,084 | S | * | 1/2012 | Borghini | | D7/553.8 |
| D654,764 | S | * | 2/2012 | Murphy | | D7/553.1 |
| D659,479 | S | | 5/2012 | Peck | | |
| D660,087 | S | | 5/2012 | Ewen | | |
| D669,311 | S | * | 10/2012 | Hsu | | D7/553.5 |
| 2003/0091687 | A1 | | 5/2003 | Copelan | | |
| 2006/0029698 | A1 | | 2/2006 | Wilson | | |
| 2007/0289973 | A1 | | 12/2007 | Acosta | | |
| 2012/0040058 | A1 | | 2/2012 | Colo | | |

* cited by examiner

Primary Examiner — Kelley Donnelly

(74) *Attorney, Agent, or Firm* — George F. Bethel

(56) **References Cited**

U.S. PATENT DOCUMENTS

| | | | | | |
|-----------|----|-----------|--------------------|-------|-----------|
| D194,054 | S | 11/1962 | Grossman | | |
| 3,532,247 | A | 10/1970 | Bridges | | |
| 3,955,672 | A | * 5/1976 | Brundage | | 206/562 |
| 5,152,398 | A | * 10/1992 | Forestal et al. | | 206/561 |
| 5,346,070 | A | * 9/1994 | McSpadden | | 206/561 |
| 5,560,653 | A | 10/1996 | Beppu | | |
| 5,593,062 | A | * 1/1997 | Martin | | 220/574.1 |
| D393,181 | S | * 4/1998 | Panta | | D7/552.2 |
| 5,853,105 | A | 12/1998 | Roman | | |
| D410,820 | S | * 6/1999 | Lofrano | | D7/549 |
| 6,296,488 | B1 | 10/2001 | Brenkus | | |
| 6,412,653 | B1 | * 7/2002 | Waterhouse | | 220/556 |
| D473,427 | S | * 4/2003 | Kleckauskas et al. | | D7/555 |
| D479,439 | S | * 9/2003 | Joss et al. | | D7/553.4 |
| D480,922 | S | * 10/2003 | Bulcher et al. | | D7/553.1 |

(57) **CLAIM**

I claim the ornamental design for a food service tray, as shown and described.

DESCRIPTION

FIG. 1 shows a front right and top perspective view of the food service tray.

FIG. 2 shows a right side elevation view.

FIG. 3 shows a front elevation view.

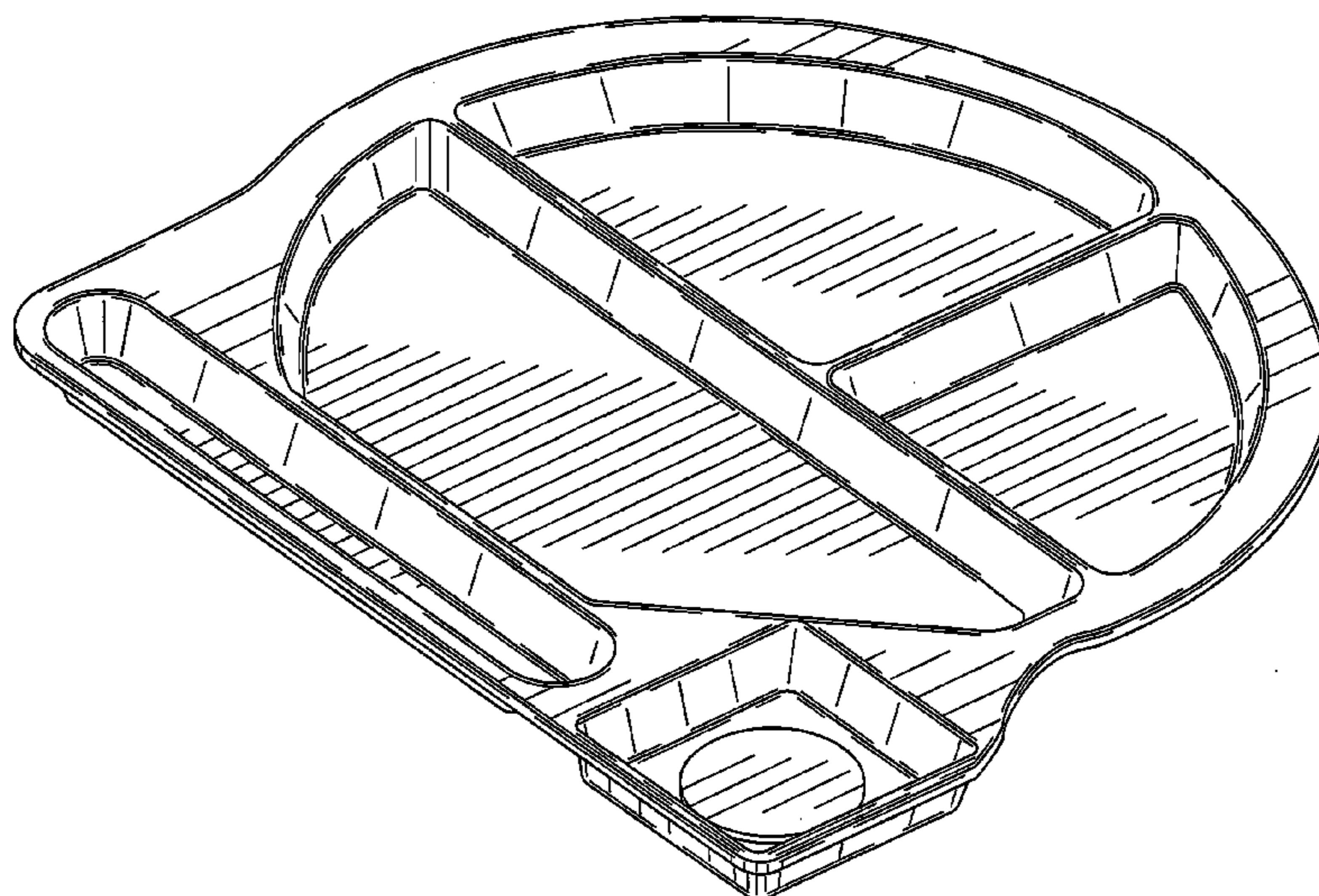
FIG. 4 shows a top plan view.

FIG. 5 shows a back elevation view.

FIG. 6 shows a left side elevation view; and,

FIG. 7 shows a bottom plan view of the food service tray.

1 Claim, 4 Drawing Sheets



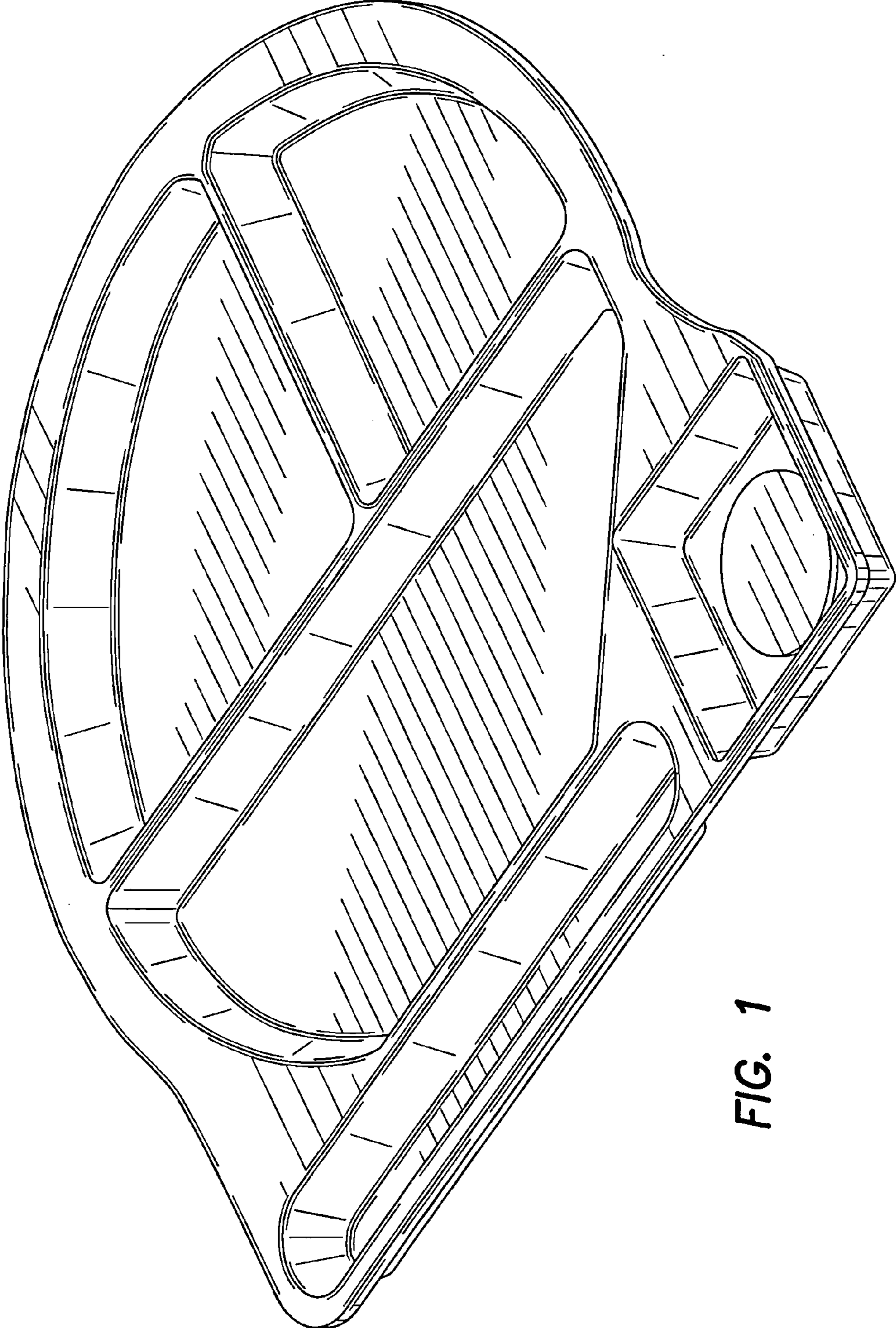


FIG. 1

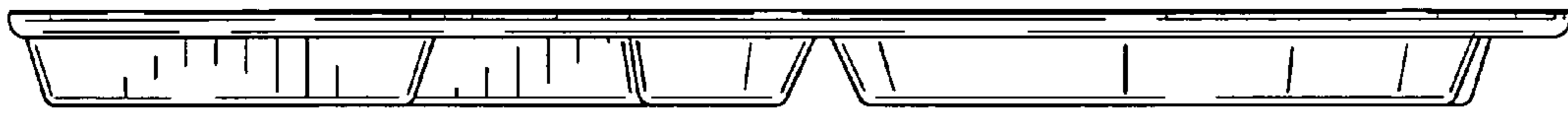


FIG. 2



FIG. 3



FIG. 5



FIG. 6

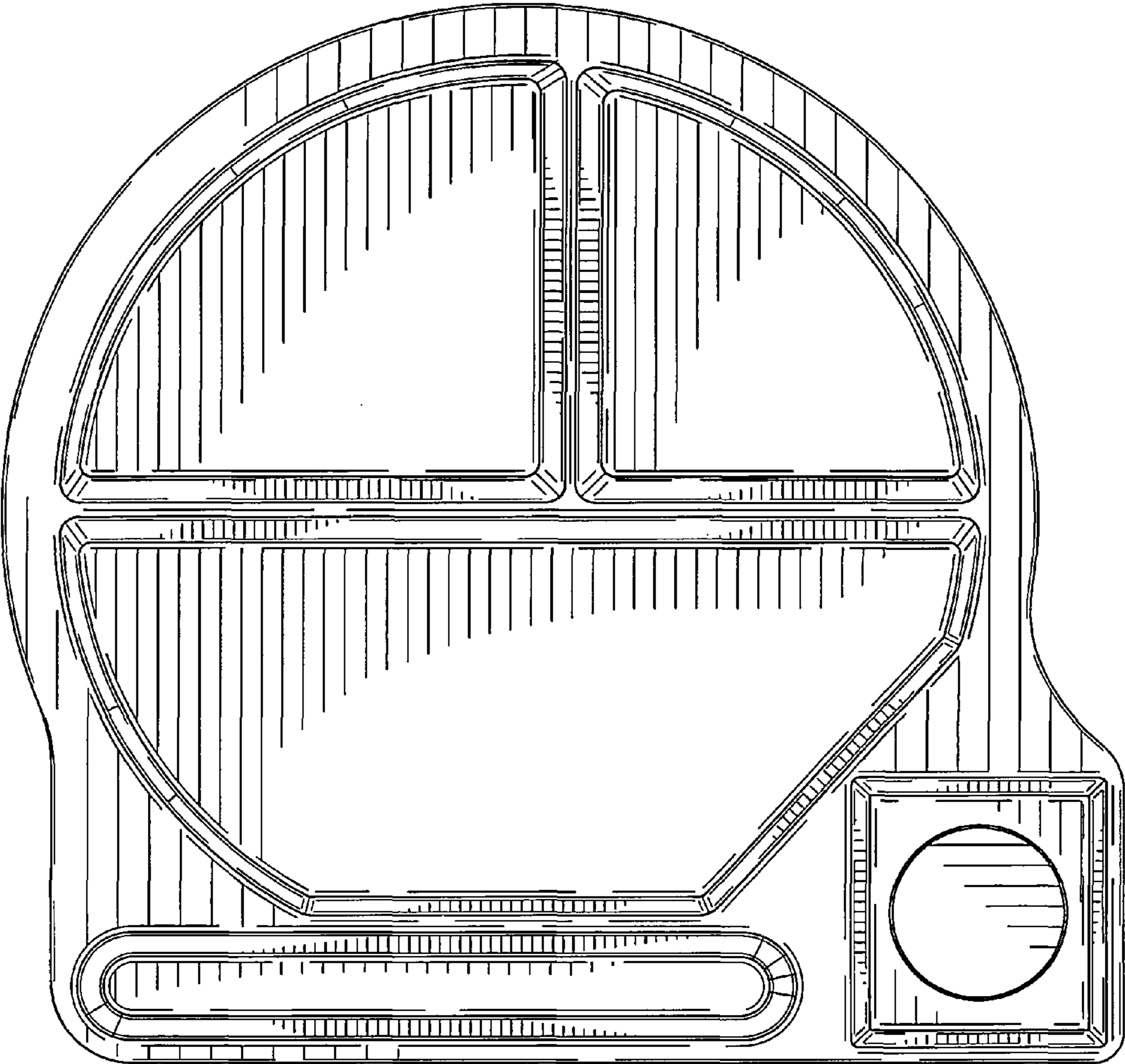


FIG. 4

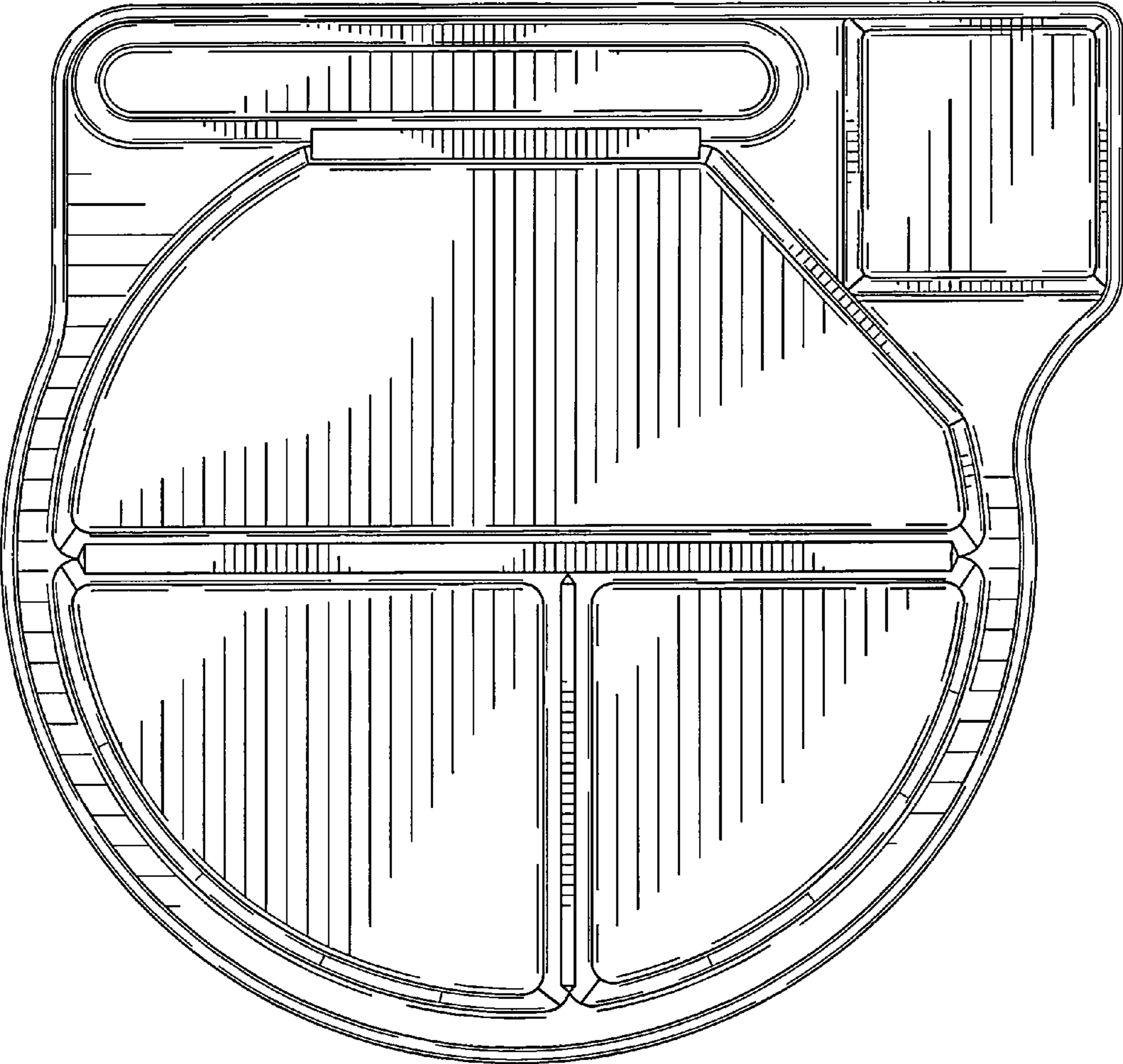


FIG. 7