



US00D685612S

(12) **United States Design Patent**  
**Ludeman et al.**

(10) **Patent No.:** **US D685,612 S**  
(45) **Date of Patent:** **\*\* Jul. 9, 2013**

- (54) **DISH**
- (71) Applicant: **WKI Holding Company, Inc.**,  
Rosemont, IL (US)
- (72) Inventors: **Karl Ludeman**, Chicago, IL (US);  
**HuaDong Zhang**, Shenzhen (CN)
- (73) Assignee: **WKI Holding Company, Inc.**,  
Rosemont, IL (US)
- (\*\*) Term: **14 Years**
- (21) Appl. No.: **29/437,519**
- (22) Filed: **Nov. 16, 2012**
- (51) **LOC (9) Cl.** ..... **07-01**
- (52) **U.S. Cl.**  
USPC ..... **D7/545**
- (58) **Field of Classification Search**  
USPC ..... D7/501, 505, 538, 543, 545, 500,  
D7/590, 360, 600.2, 553.6, 392.1, 601, 354,  
D7/555, 557, 566, 620, 629, 552.1, 589, 586,  
D7/570; D9/743, 745; 220/751, 23.4, 574;  
206/514; 73/426  
See application file for complete search history.

- (56) **References Cited**  
**U.S. PATENT DOCUMENTS**  
D7,364 S 4/1874 Sweeney  
D9,848 S 3/1877 Barker  
D43,852 S 4/1913 Sanford  
D44,163 S 6/1913 Baxter et al.  
D48,614 S 2/1916 Sanford  
D51,837 S 3/1918 Evans  
D51,878 S 3/1918 Evans  
D52,016 S 5/1918 Beiswanger  
D52,627 S 11/1918 Beiswanger  
D52,692 S 11/1918 Beiswanger

- RE14,558 E 12/1918 Beiswanger
- D52,726 S 12/1918 Beiswanger
- D52,727 S 12/1918 Beiswanger
- D52,817 S 12/1918 Beiswanger
- D56,334 S 10/1920 Beiswanger
- D56,335 S 10/1920 Beiswanger
- D56,336 S 10/1920 Beiswanger

(Continued)

**OTHER PUBLICATIONS**

Corningware Housewares Catalog, 1978.

(Continued)

*Primary Examiner* — Cynthia Underwood

(74) *Attorney, Agent, or Firm* — McDermott Will & Emery LLP

(57) **CLAIM**

We claim the ornamental design for a dish, as shown and described.

**DESCRIPTION**

FIG. 1 is a top perspective view of a dish according to the new design;

FIG. 2 is a bottom perspective view of the dish shown in FIG. 1;

FIG. 3 is a top view of the dish shown in FIG. 1;

FIG. 4 is a bottom view of the dish shown in FIG. 1;

FIG. 5 is a side elevation view of the dish shown in FIG. 1;

FIG. 6 is a side elevation view of the dish shown in FIG. 1;

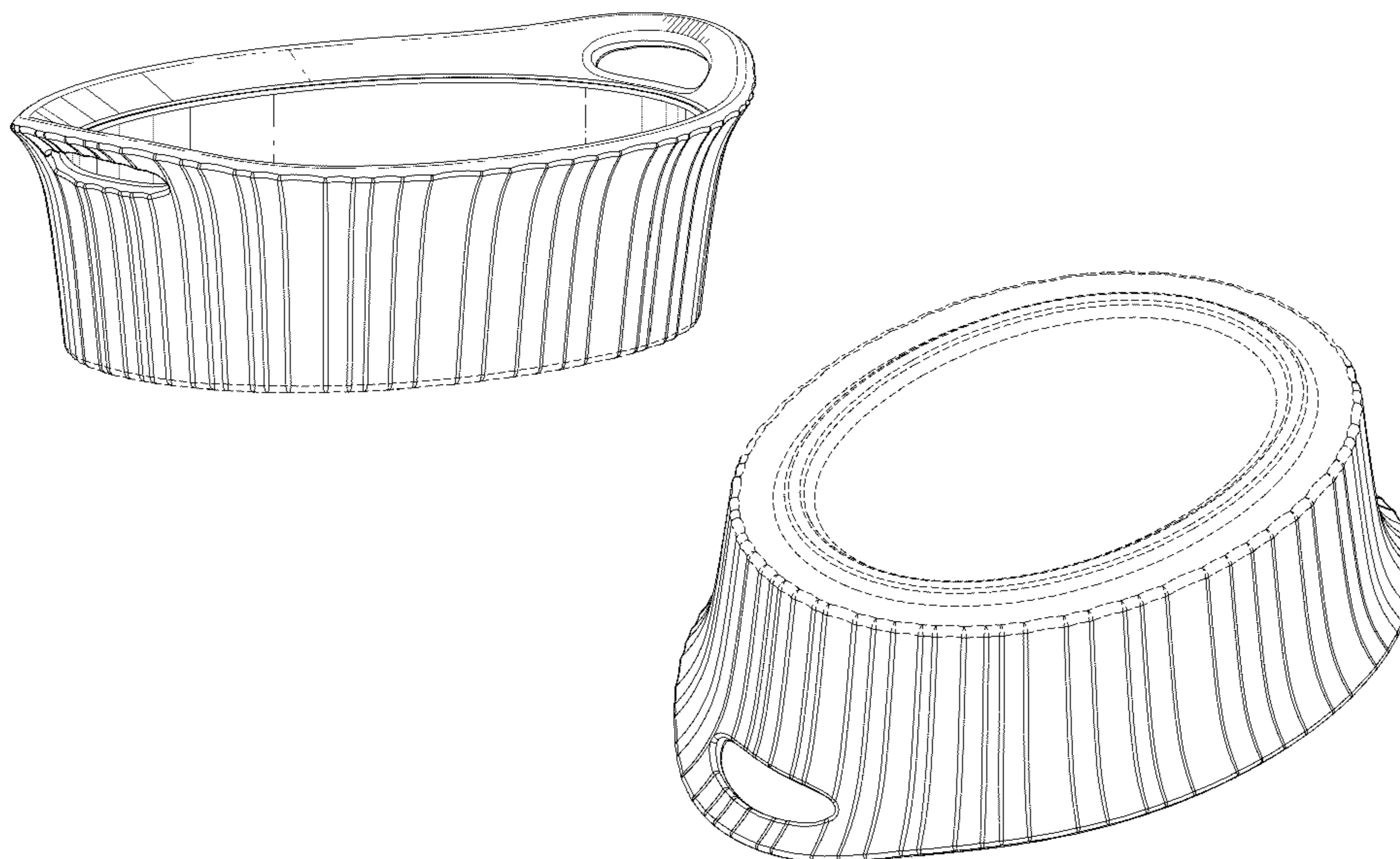
FIG. 7 is a left end view of the dish shown in FIG. 1;

FIG. 8 is a right end view of the dish shown in FIG. 1; and,

FIG. 9 is a cross-sectional view taken along the line 9-9 of the dish shown in FIG. 7.

The broken lines are included for illustrative purposes only and form no part of the claim.

**1 Claim, 6 Drawing Sheets**



U.S. PATENT DOCUMENTS

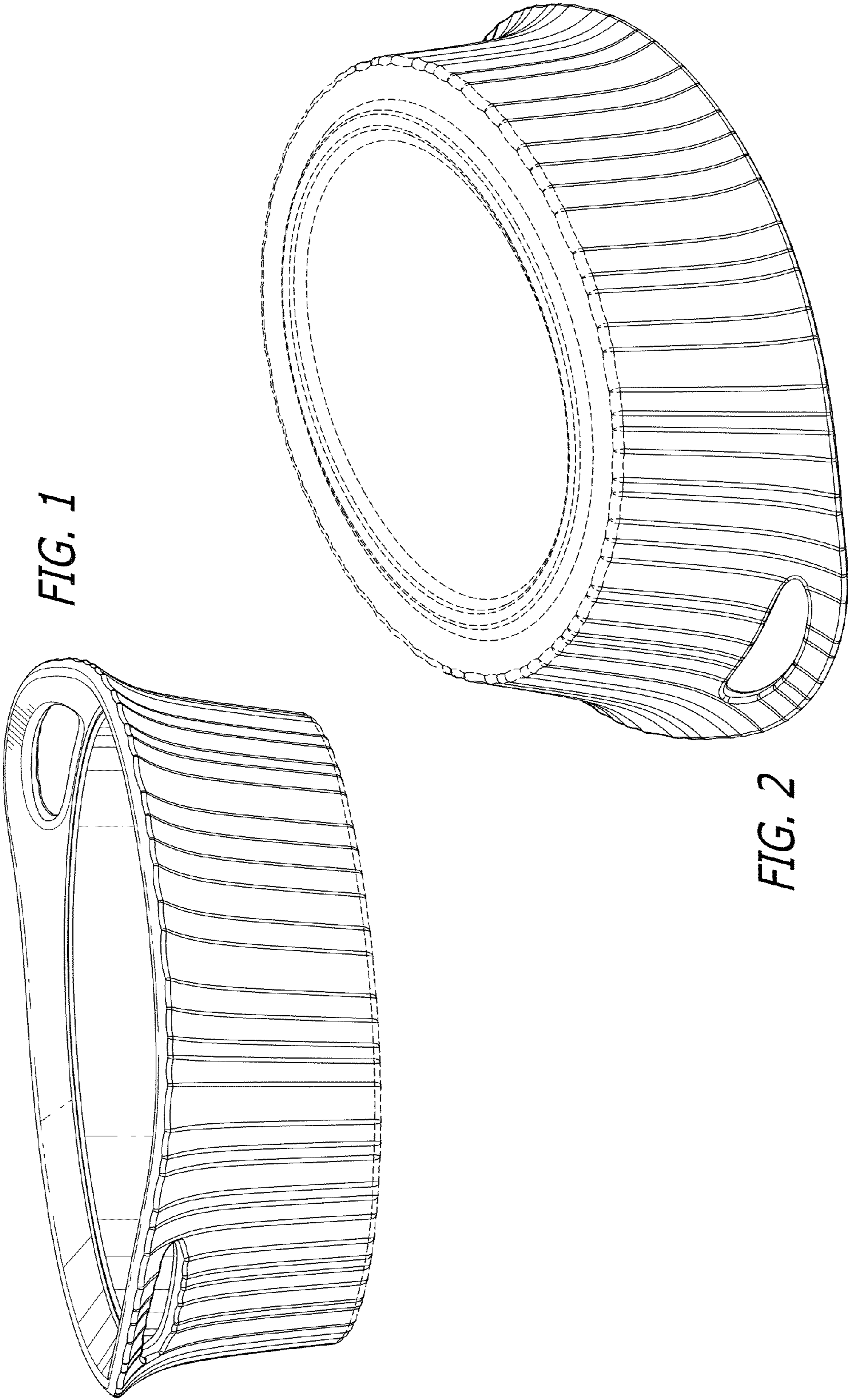
D57,182 S 3/1921 Beiswanger  
 D57,183 S 3/1921 Beiswanger  
 D58,201 S 6/1921 Sailer  
 D70,643 S 7/1926 Anduze  
 D71,003 S \* 9/1926 Carlson ..... D32/35  
 D111,229 S 9/1938 Spence  
 D133,369 S 8/1942 Chaplin  
 D154,216 S 6/1949 Reifsnyder  
 D170,735 S 10/1953 Zeisel  
 D186,852 S 12/1959 Stickney et al.  
 D192,435 S 3/1962 Goodman  
 3,154,215 A 10/1964 Le Vesconte  
 3,190,486 A 6/1965 Rech  
 3,545,645 A 12/1970 Smith  
 D238,647 S 2/1976 Gullota  
 D239,686 S 4/1976 Anderson  
 D242,972 S 1/1977 Day  
 4,026,458 A 5/1977 Morris et al.  
 D247,601 S 3/1978 Schreckengost  
 D255,309 S 6/1980 Colato et al.  
 D269,931 S 8/1983 Durand  
 4,532,397 A 7/1985 McClelland  
 D282,330 S 1/1986 McBride  
 D285,534 S 9/1986 Itoh et al.  
 D291,398 S 8/1987 Schmidt  
 4,715,144 A 12/1987 Lee  
 D298,303 S 11/1988 Lee  
 D306,972 S 4/1990 Moloney et al.  
 5,004,121 A 4/1991 Howe  
 D321,809 S 11/1991 Zobrist  
 D321,815 S 11/1991 Bowdler  
 D324,324 S 3/1992 Picozza  
 D325,112 S 4/1992 Thompson  
 D325,848 S 5/1992 Embree  
 D332,750 S 1/1993 Moloney et al.  
 D334,114 S 3/1993 Narsutis  
 D338,302 S 8/1993 Shafer  
 D338,375 S 8/1993 Andress  
 5,266,763 A 11/1993 Colombo  
 D344,875 S 3/1994 Pomroy et al.  
 D349,424 S 8/1994 Schlegel  
 D353,519 S 12/1994 Wolfenden  
 D365,501 S 12/1995 Daugherty et al.  
 D375,657 S 11/1996 Jarvis  
 D375,871 S 11/1996 Jarvis  
 D376,960 S 12/1996 Ferris  
 D380,647 S 7/1997 Durand  
 D382,796 S 8/1997 Mangla  
 D386,046 S 11/1997 Bruckner  
 D390,419 S 2/1998 Perlmutter et al.  
 D392,881 S 3/1998 Bulcher et al.  
 D395,822 S 7/1998 Keal et al.  
 D398,185 S 9/1998 Emrich  
 D406,726 S 3/1999 Horvat

D411,075 S 6/1999 Emrich  
 D413,487 S 9/1999 Vitali  
 D413,766 S 9/1999 Hou  
 D415,025 S 10/1999 McCann  
 D415,935 S 11/1999 Martinez  
 D438,794 S 3/2001 Miles et al.  
 D452,821 S 1/2002 Westphal  
 D455,049 S 4/2002 Kell  
 D460,663 S 7/2002 Seager  
 D467,128 S 12/2002 Thonis et al.  
 D469,313 S 1/2003 Thonis et al.  
 D469,314 S 1/2003 Thonis et al.  
 D469,315 S 1/2003 Thonis et al.  
 D469,660 S 2/2003 Kortleven  
 D469,662 S 2/2003 Thonis et al.  
 D473,106 S 4/2003 Scherer  
 D493,668 S 8/2004 Hsu  
 D494,419 S 8/2004 Armer  
 D501,762 S 2/2005 Wolhendler  
 D503,871 S 4/2005 Armer  
 D504,283 S 4/2005 Armer  
 D504,799 S 5/2005 Lawson et al.  
 D508,823 S 8/2005 Vendl et al.  
 D514,949 S 2/2006 Dalton et al.  
 D515,872 S 2/2006 Vendl et al.  
 D515,873 S \* 2/2006 Vendl et al. .... D7/545  
 D521,319 S \* 5/2006 Haataja ..... D7/543  
 D544,298 S 6/2007 Eide et al.  
 D544,307 S 6/2007 Ablo  
 D545,628 S 7/2007 Serra  
 D545,630 S 7/2007 Serra  
 D551,025 S 9/2007 Serra  
 D551,510 S 9/2007 Serra  
 D551,909 S 10/2007 Eide et al.  
 D571,156 S \* 6/2008 Gartz et al. .... D7/545  
 D590,663 S \* 4/2009 Simon et al. .... D7/545  
 D595,542 S 7/2009 Dewey  
 D606,176 S \* 12/2009 Urquiola ..... D23/293.1  
 D607,280 S \* 1/2010 Kellermann et al. .... D7/548  
 D607,689 S \* 1/2010 Hart et al. .... D7/360  
 D608,149 S \* 1/2010 Kellermann et al. .... D7/548  
 D611,303 S 3/2010 Cimmerer et al.  
 D630,891 S \* 1/2011 Thonis ..... D7/396.1  
 D631,290 S \* 1/2011 Thonis ..... D7/396.1

OTHER PUBLICATIONS

Corningware Housewares Catalog, 1982, pp. 7, 14, 15.  
 Corningware Housewares Catalog, 1982, pp. 4-5, 10-11.  
 Corningware Housewares Catalog, 1993.  
 Corningware Housewares Catalog, 1998.  
 Corningware Housewares Catalog, 1999.  
 Corningware French White Catalog, 2000.

\* cited by examiner



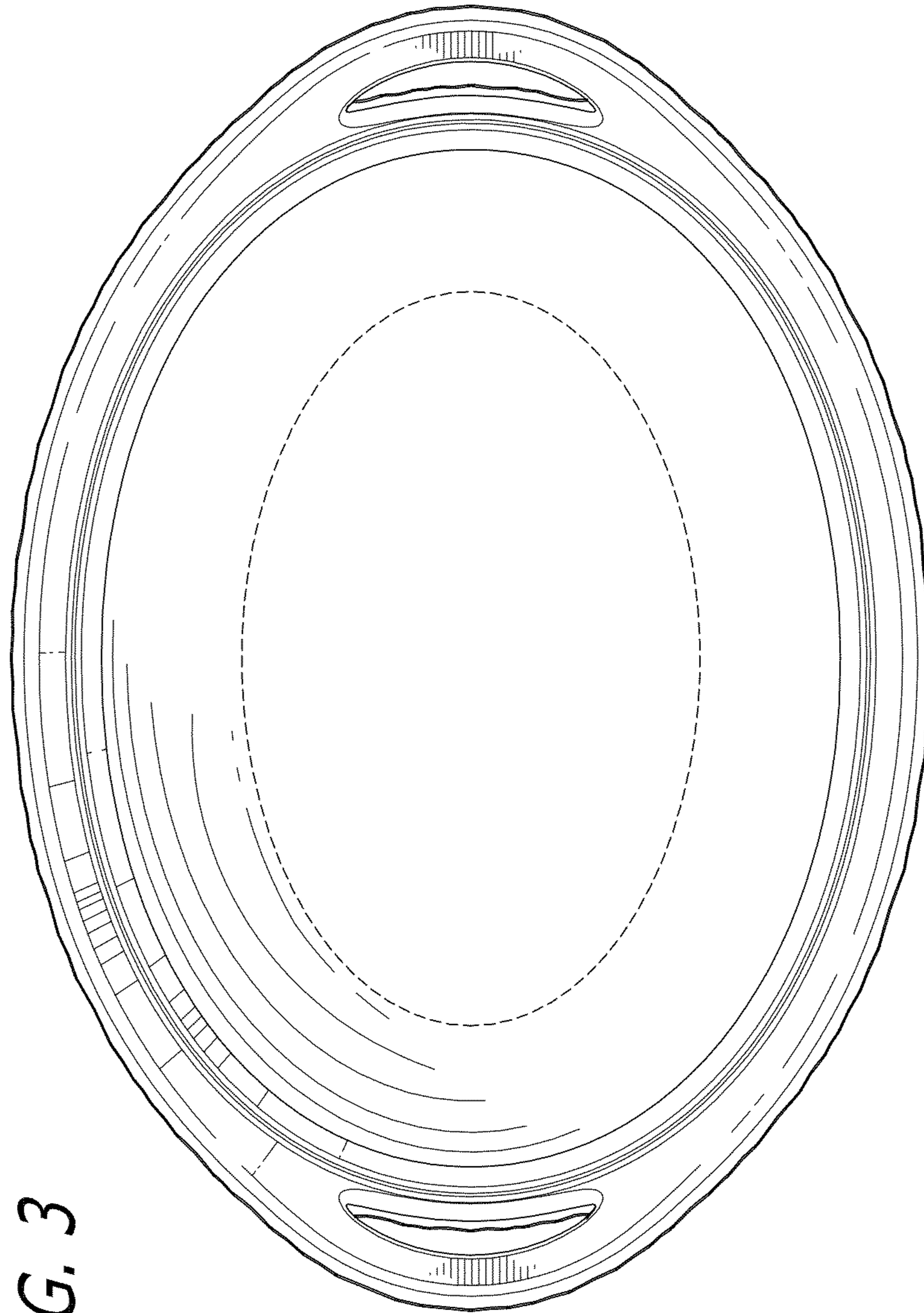


FIG. 3

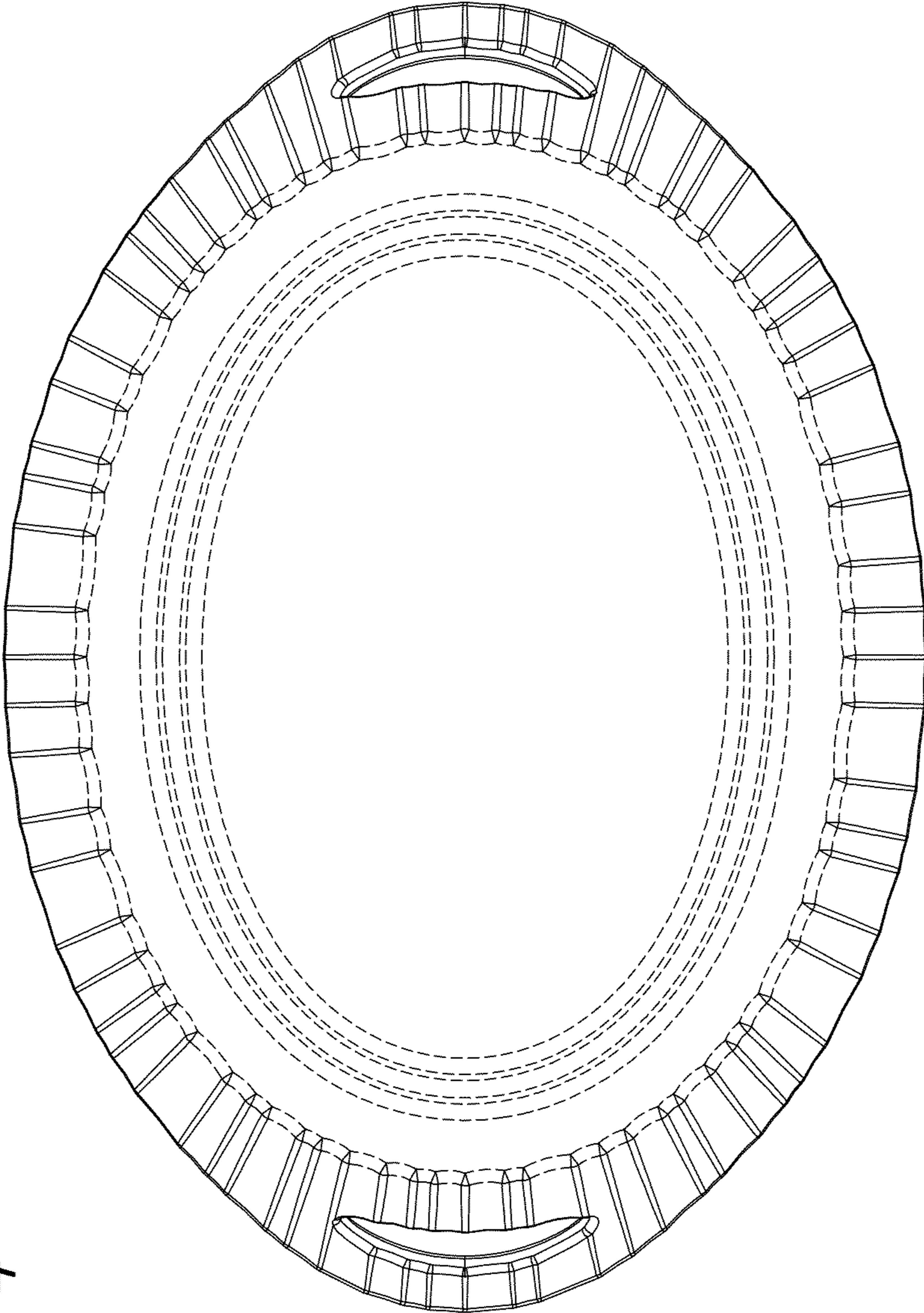


FIG. 4

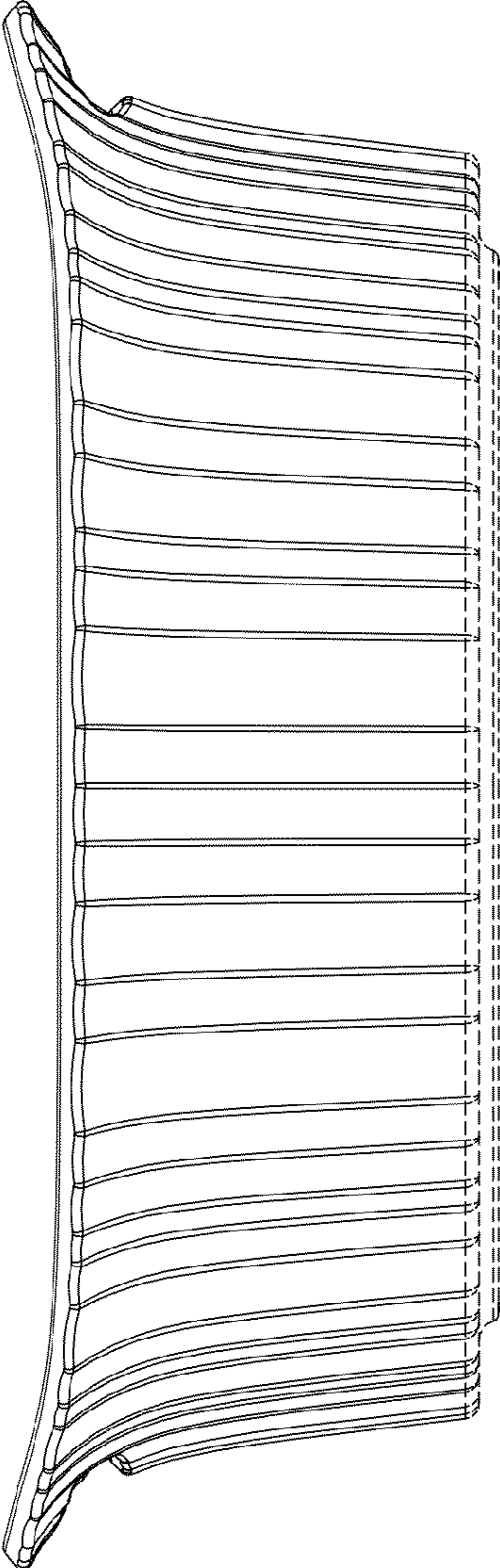


FIG. 5

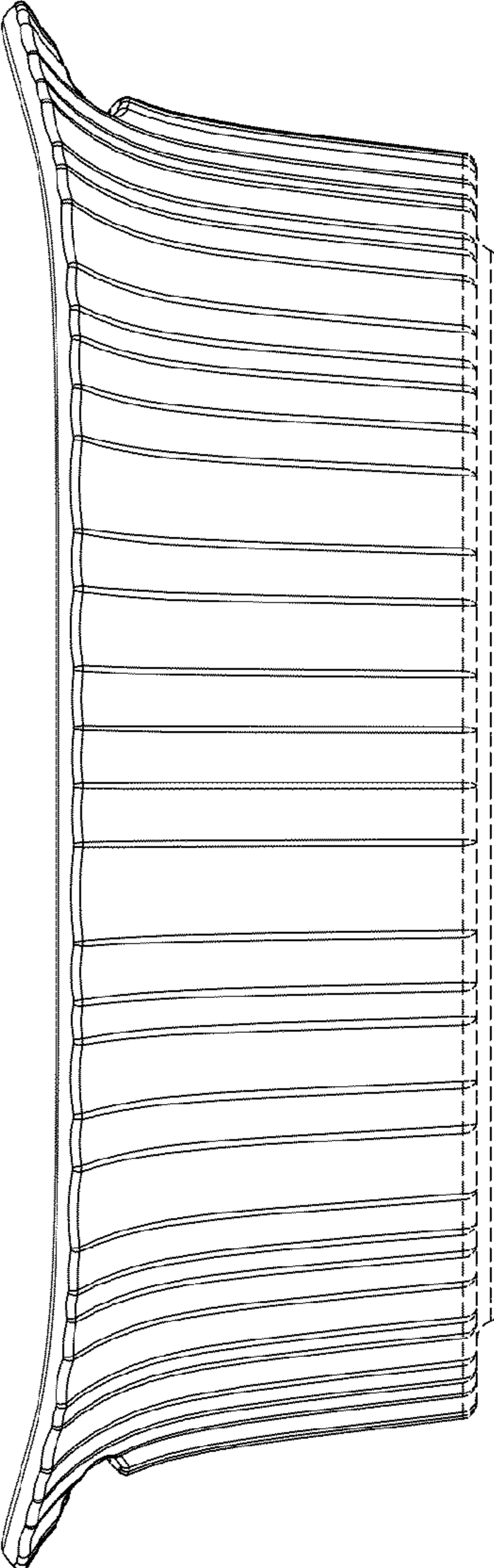


FIG. 6

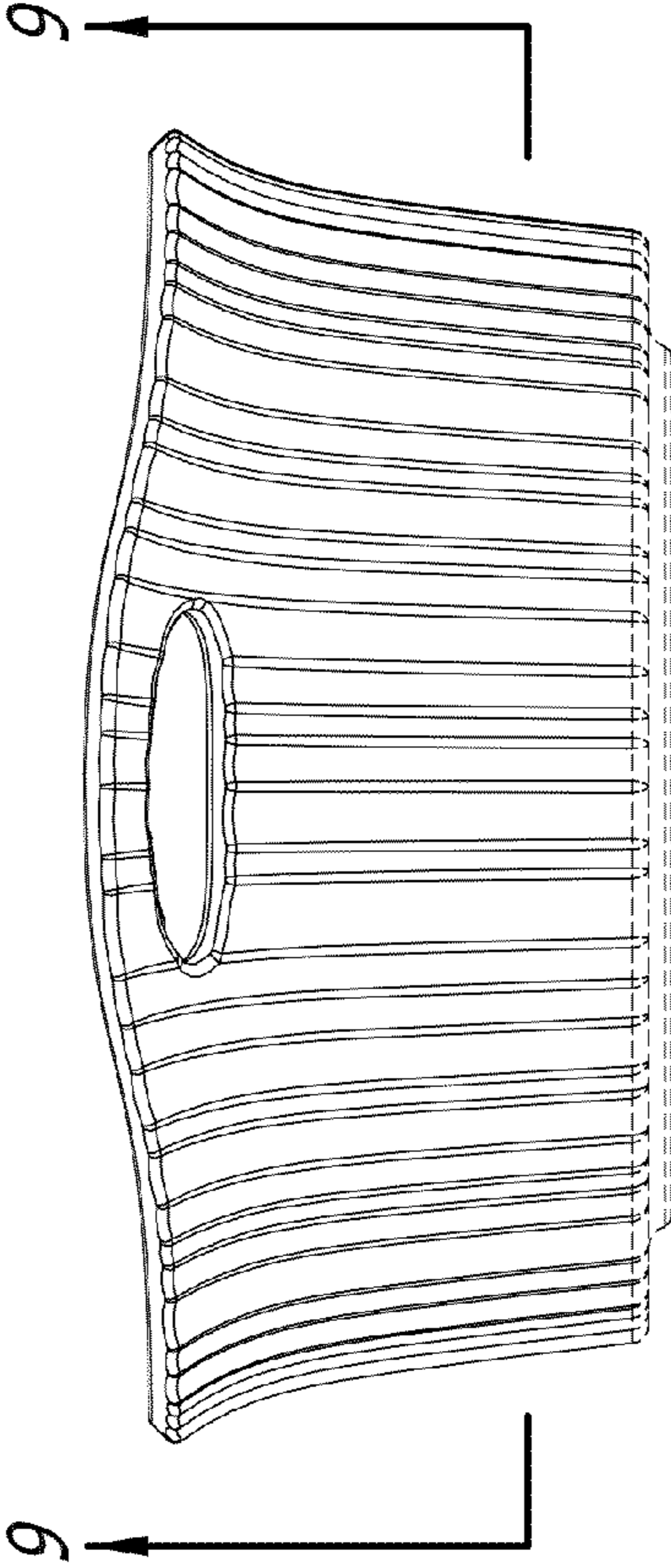


FIG. 7

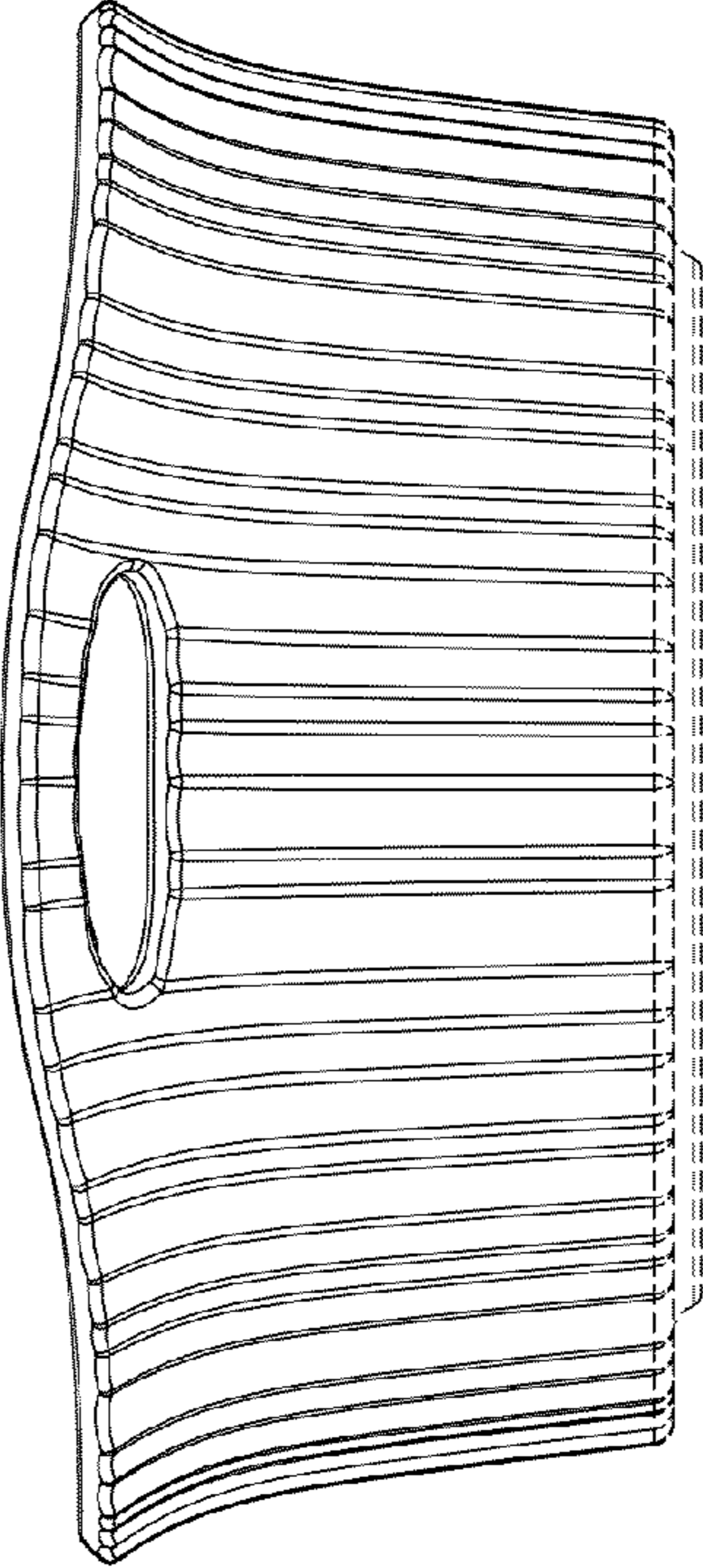


FIG. 8

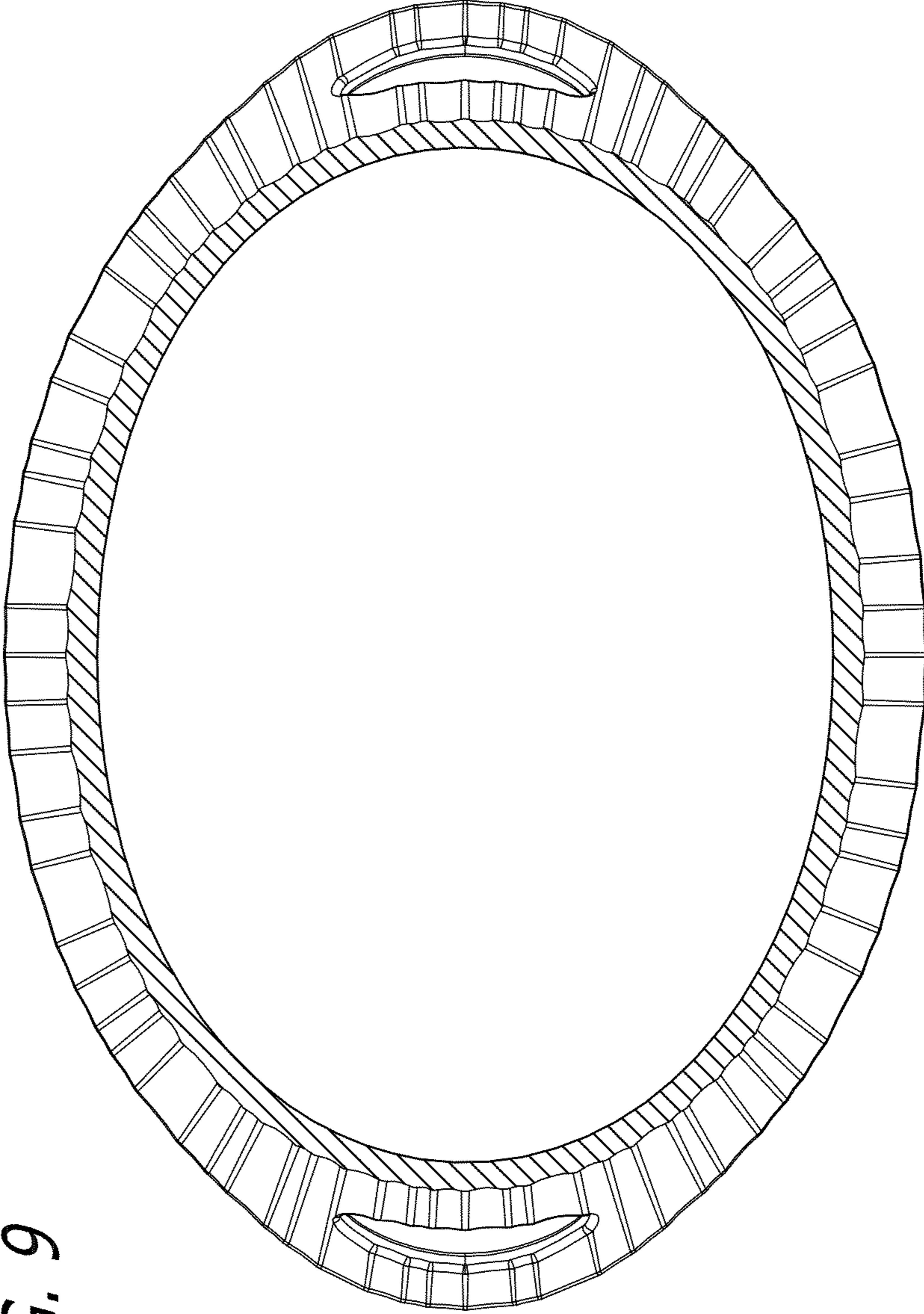


FIG. 9