



US00D685609S

(12) **United States Design Patent**
Dunn et al.

(10) **Patent No.:** **US D685,609 S**
(45) **Date of Patent:** **** Jul. 9, 2013**

(54) **CONTAINER**

U.S. Appl. No. 13/192,440, filed Jul. 27, 2011, Steven B. Dunn, et. al.
U.S. Appl. No. 13/192,441, filed Jul. 27, 2011, Steven B. Dunn, et. al.

(75) Inventors: **Steven B. Dunn**, Beverly Hills, CA (US); **Mark A. Hatherill**, Beverly Hills, CA (US); **Rodolfo Gastelum**, San Pedro, CA (US); **Won Song**, Porter Ranch, CA (US)

* cited by examiner

Primary Examiner — Cynthia Underwood

(74) *Attorney, Agent, or Firm* — Robert Z. Evora, Esq.

(73) Assignee: **Munchkin, Inc.**, North Hills, CA (US)

(57) **CLAIM**

(**) Term: **14 Years**

The ornamental design for a container, as shown and described.

(21) Appl. No.: **29/374,844**

DESCRIPTION

(22) Filed: **Oct. 14, 2011**

(51) **LOC (9) Cl.** **07-01**

(52) **U.S. Cl.**
USPC **D7/510**

(58) **Field of Classification Search**
USPC D7/510, 532, 507, 511, 523, 509,
D7/500; 215/388, DIG. 7; 220/710.5, 703,
220/592.16, 592.17, 717, 716, 694; 229/402;
222/570

This Design Patent Application is related to the following commonly owned applications: U.S. patent application Ser. No. 13/192,438, entitled "Lids for Spillproof Container Assemblies" filed Jul. 27, 2011; U.S. patent application Ser. No. 13/192,440, entitled "Cups for Spillproof Container Assemblies" filed Jul. 27, 2011; and U.S. patent application Ser. No. 13/192,441, entitled "Spillproof Container Assemblies" filed Jul. 27, 2011.

See application file for complete search history.

FIG. 1 is a perspective view of the container showing our new design;

(56) **References Cited**

FIG. 2 is an exploded view of FIG. 1 shown with unclaimed lid in open position;

U.S. PATENT DOCUMENTS

D608,148	S *	1/2010	Lane	D7/510
7,651,005	B2 *	1/2010	Nguyen et al.	215/365
D620,315	S *	7/2010	Boonprasop	D7/509
D620,753	S *	8/2010	Lane	D7/510
D627,598	S *	11/2010	Boonprasop	D7/509
2004/0060212	A1 *	4/2004	Murphy et al.	40/324
2005/0242103	A1 *	11/2005	Thomas et al.	220/717

FIG. 3 is a front view of the container;

FIG. 4 is a side view of the container;

FIG. 5 is a bottom view of the container with unclaimed body removed for ease of illustration; and,

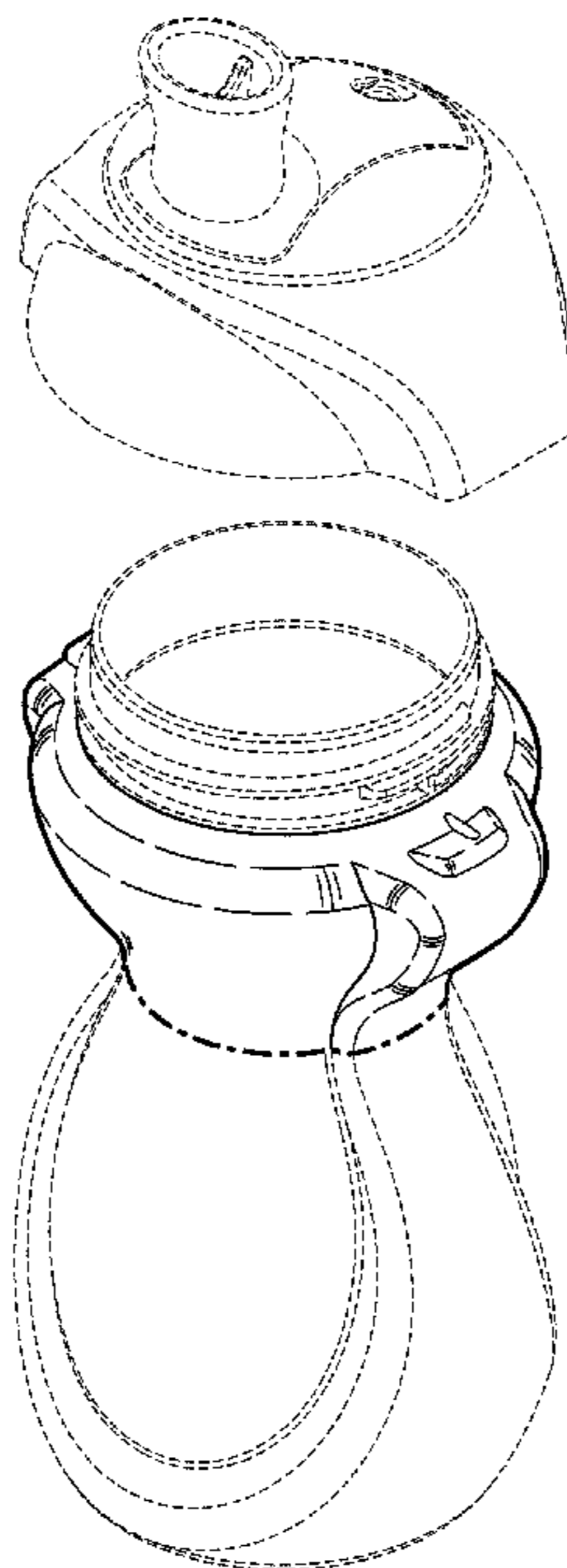
FIG. 6 is a top view of the container with unclaimed lid removed for ease of illustration.

OTHER PUBLICATIONS

The broken lines represent environmental structure and form no part of the claimed design. The dot-dash-dot lines shown in FIGS. 1-5 represent the boundary of the claim.

U.S. Appl. No. 13/192,438, filed Jul. 27, 2011, Steven B. Dunn, et. al.

1 Claim, 5 Drawing Sheets



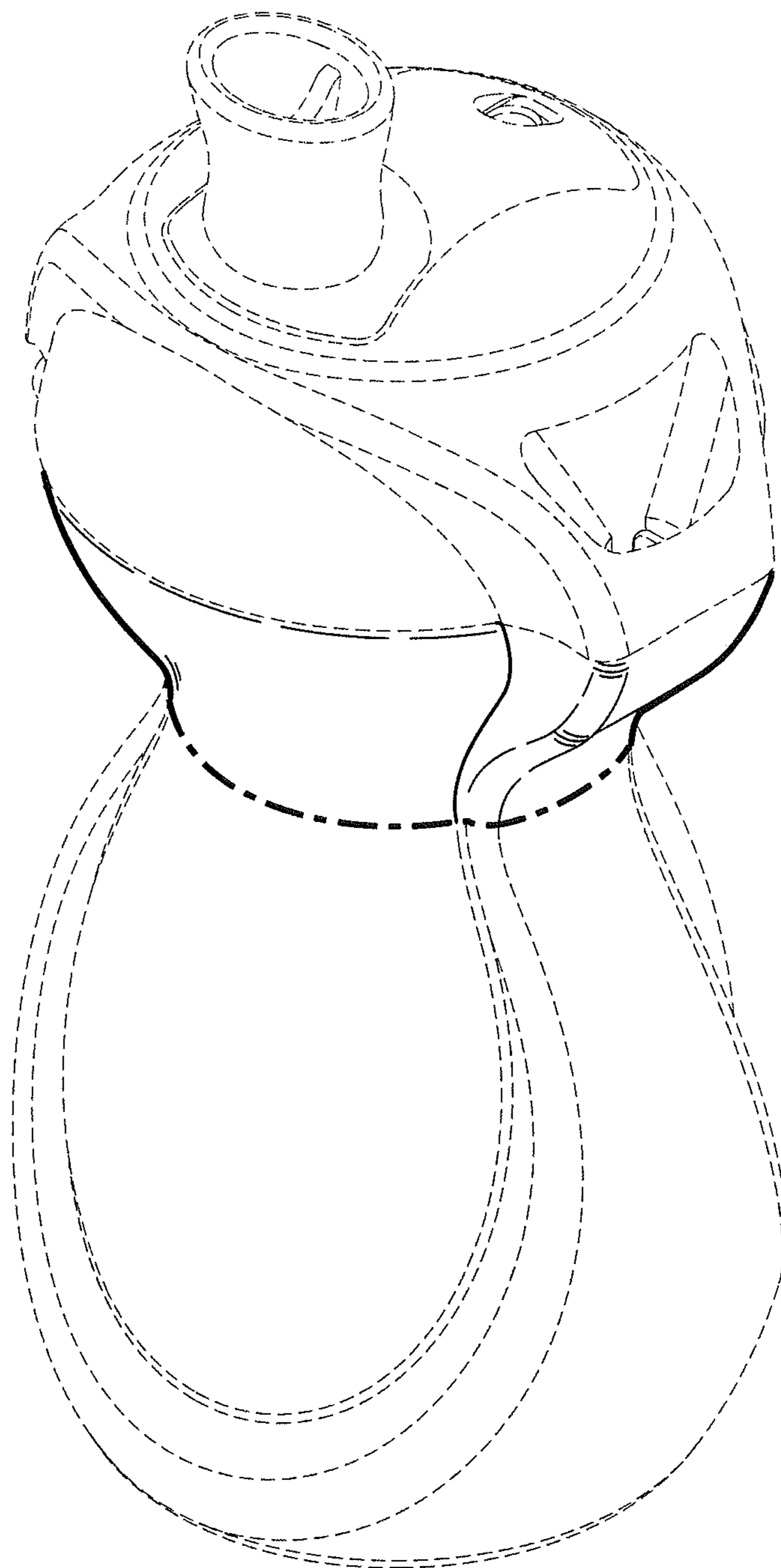


FIG. 1

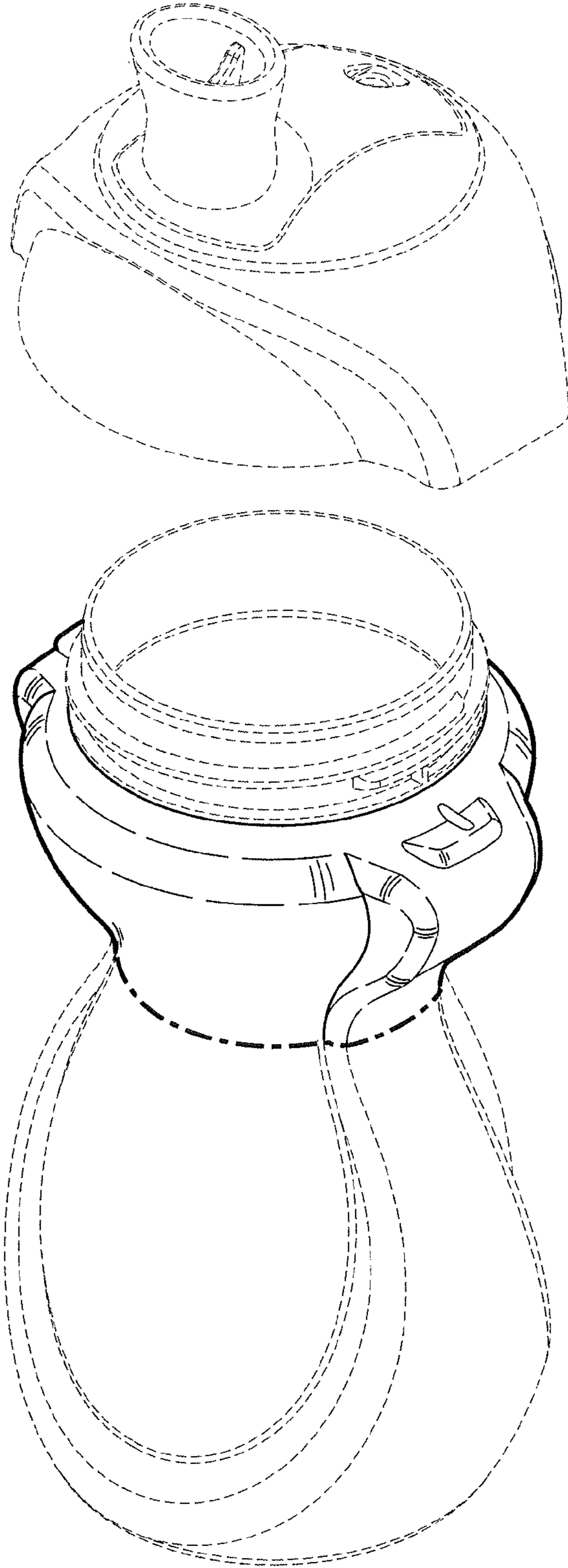


FIG. 2

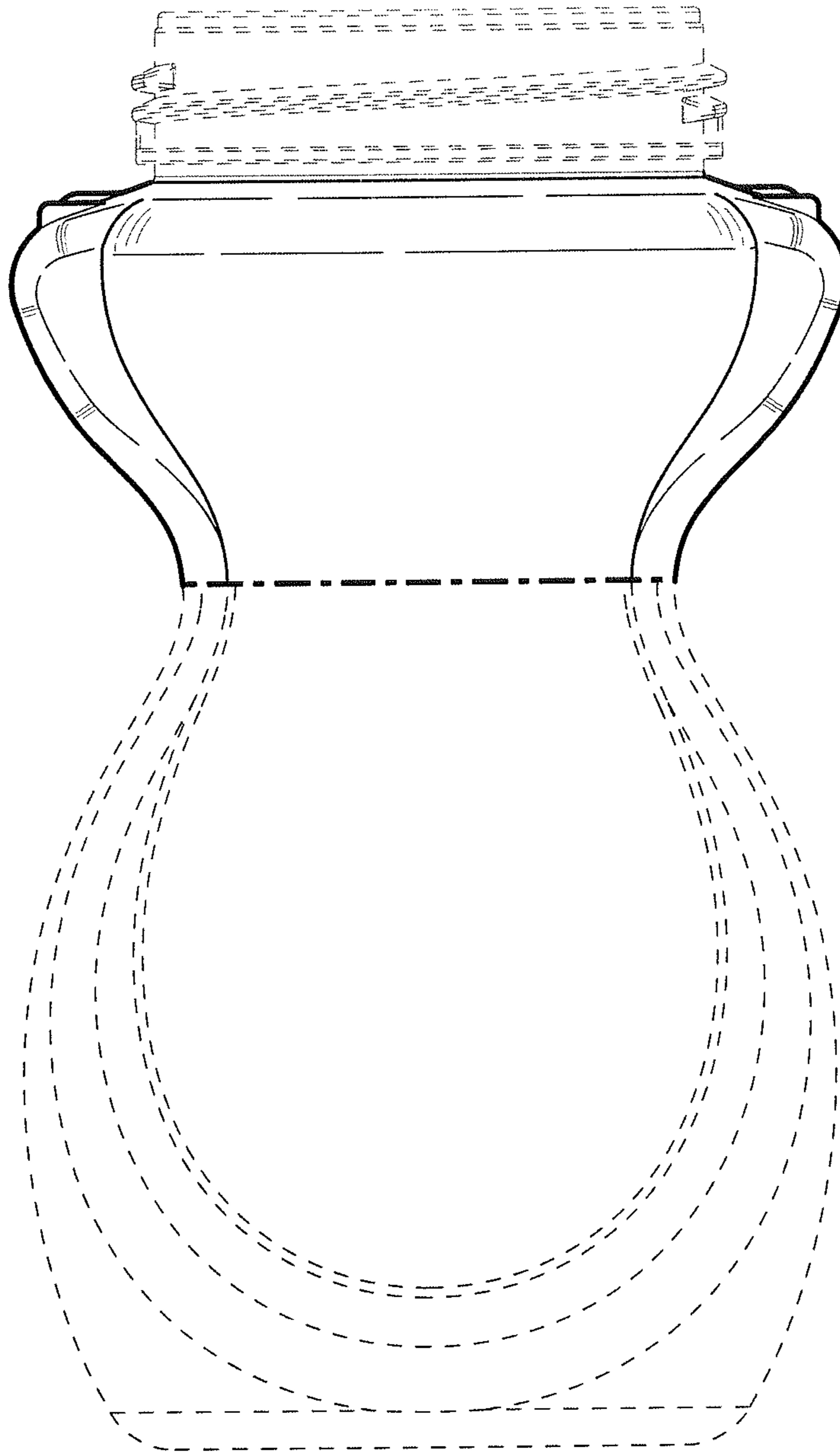


FIG. 3

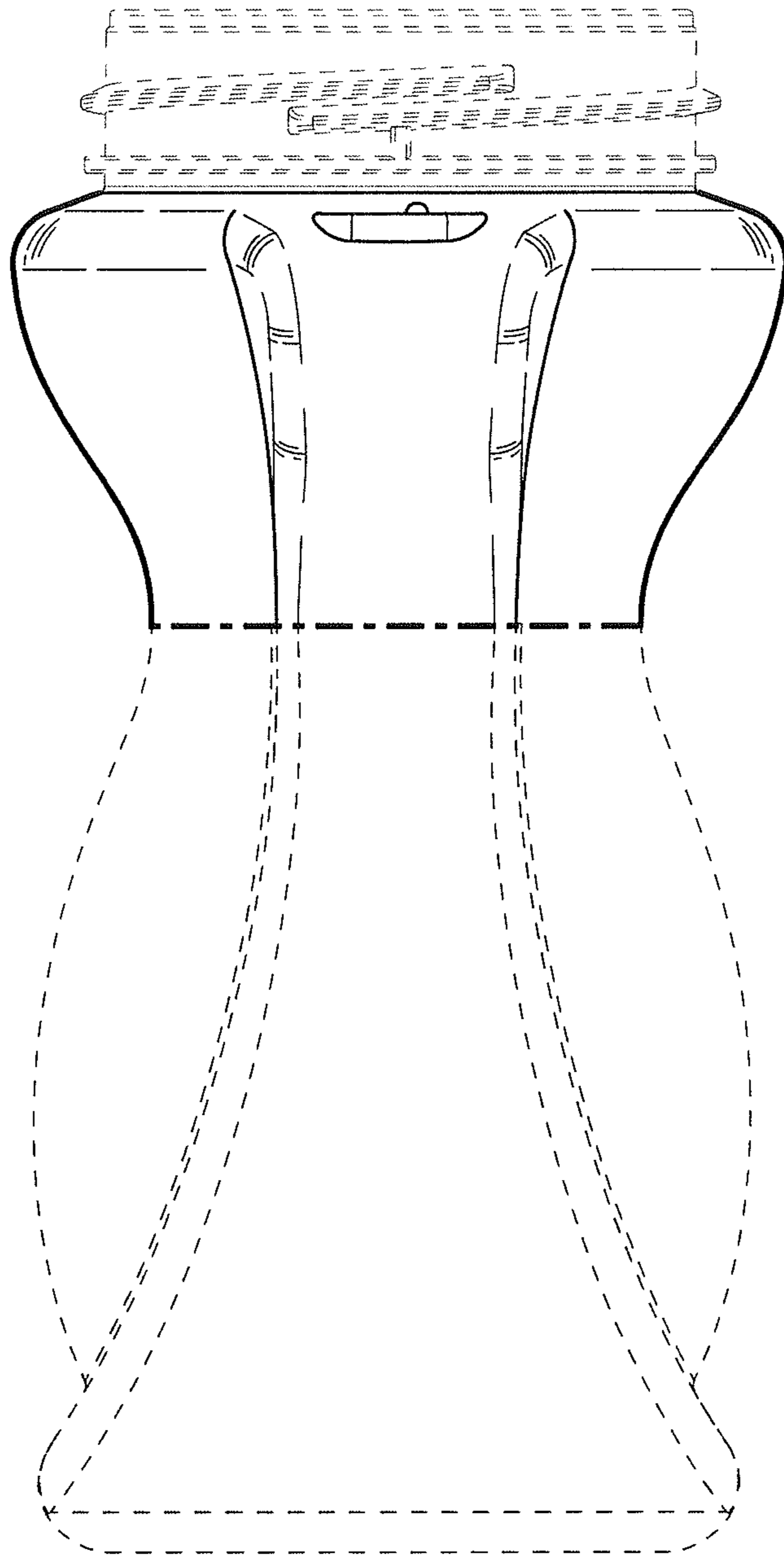


FIG. 4

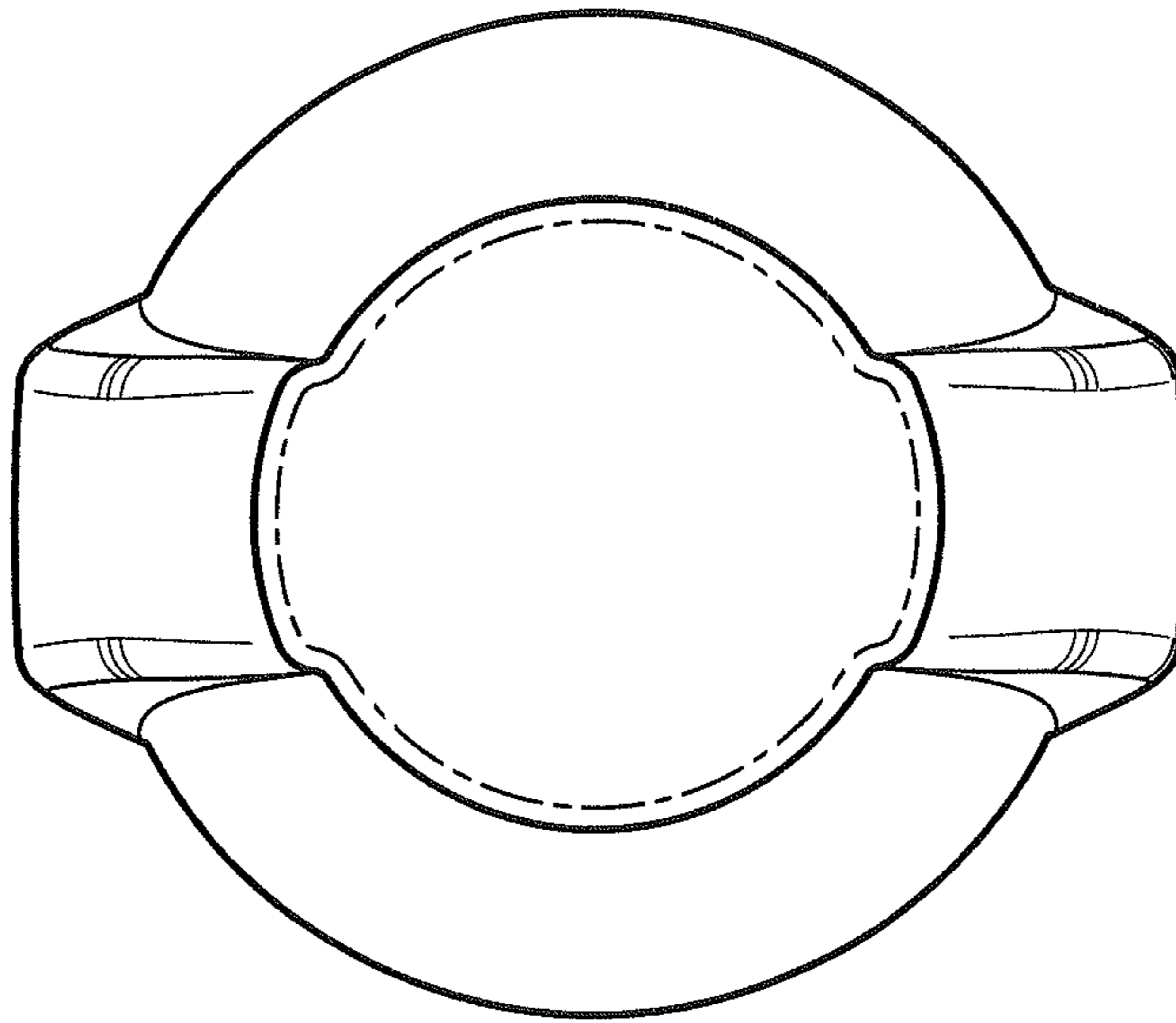


FIG. 5

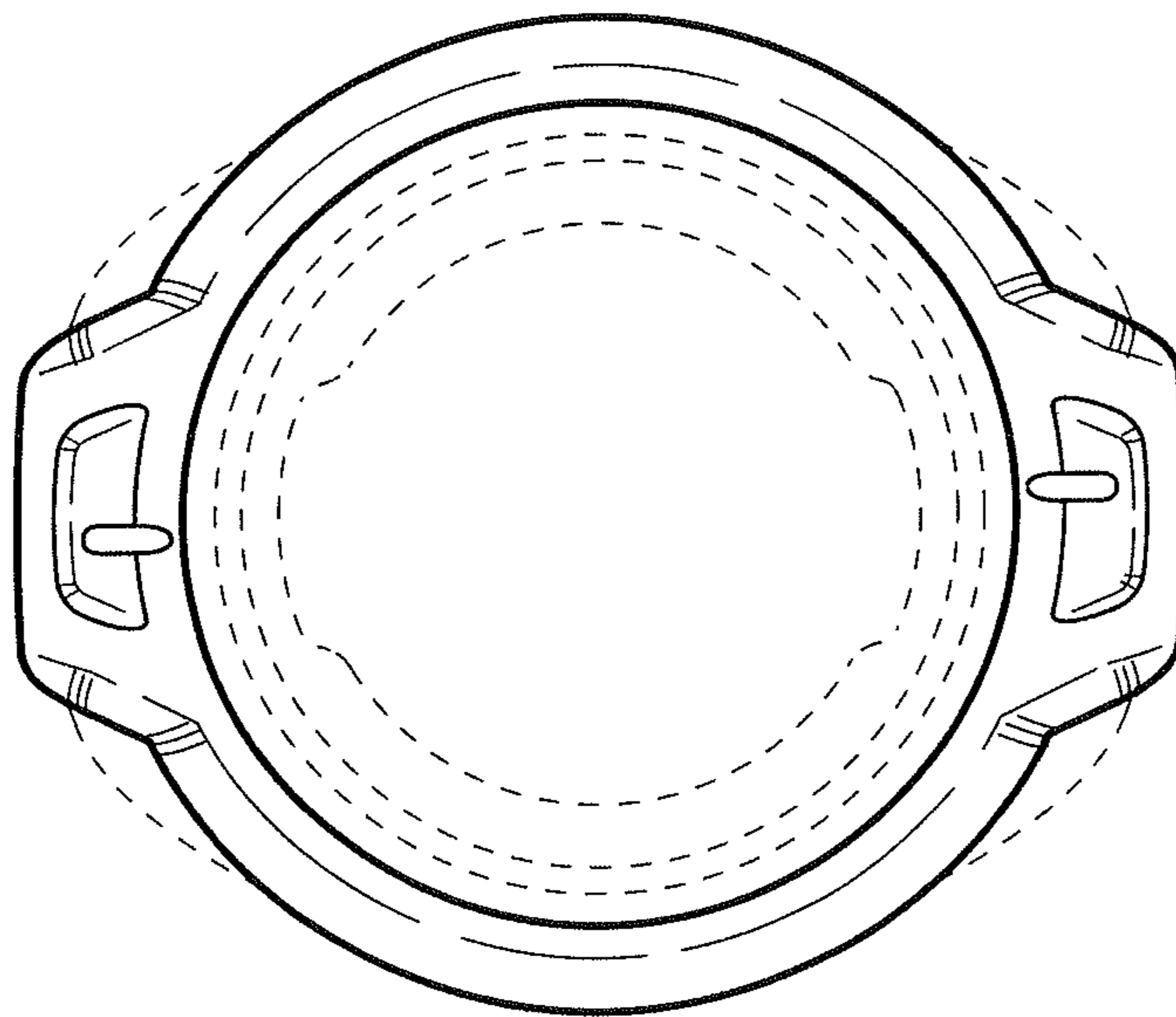


FIG. 6