



US00D685606S

(12) **United States Design Patent**
Keys et al.

(10) **Patent No.:** **US D685,606 S**
(45) **Date of Patent:** **** Jul. 9, 2013**

(54) **TOP FOR WATER BOTTLE**
(75) Inventors: **James Robert Keys**, Oakland, CA (US);
Brett David McIntire, Pleasanton, CA
(US); **Julia (Yi-Fong) Fu**, Oakland, CA
(US); **Christopher Michael Wlezien**,
Chicago, IL (US); **Michael Allen**
Harnack, Beijing (CN); **Martin**
Rathgeber, Chicago, IL (US)

(73) Assignee: **Brita LP**, Oakland, CA (US)

(**) Term: **14 Years**

(21) Appl. No.: **29/422,375**

(22) Filed: **May 18, 2012**

(51) **LOC (9) Cl.** **07-02**

(52) **U.S. Cl.**
USPC **D7/392.1**; D9/443; D9/447; D9/450

(58) **Field of Classification Search**
USPC D7/391, 392, 392.1, 396.2, 509-511,
D7/523, 608, 900; D9/443, 446, 447, 449,
D9/450, 453, 505; 215/11.6, 44, 224, 229,
215/306, 311; 220/3.75, 23.83, 212.5, 292,
220/714, 705; 222/83, 420, 450, 530, 543
See application file for complete search history.

(56) **References Cited**

U.S. PATENT DOCUMENTS

3,907,179	A *	9/1975	Pehr et al.	222/513
D334,341	S *	3/1993	Brown et al.	D9/447
5,242,079	A *	9/1993	Stephens et al.	220/705
5,273,172	A	12/1993	Rosbach et al.		
D369,943	S *	5/1996	Dark	D7/392.1
D387,621	S *	12/1997	Sullivan et al.	D7/510
6,135,311	A	10/2000	Panec et al.		
6,619,518	B1	9/2003	Lee		
D508,185	S *	8/2005	Gauss	D7/392.1
D547,607	S	7/2007	Forsman		
7,516,862	B2	4/2009	McDonough		

7,533,783	B2	5/2009	Choi et al.		
D610,402	S	2/2010	Carreno		
D613,110	S	4/2010	Lane et al.		
D625,146	S *	10/2010	George et al.	D7/392
7,810,651	B2	10/2010	Miga, Jr.		
7,824,545	B2	11/2010	Windmiller		
D629,644	S *	12/2010	Zhuang et al.	D7/392.1
D632,176	S *	2/2011	McKinney et al.	D9/450
D638,658	S *	5/2011	Staton	D7/392
D653,081	S *	1/2012	George	D7/510
D654,793	S *	2/2012	Rosbach	D9/447
D663,209	S *	7/2012	Maas et al.	D7/510
2007/0039959	A1	2/2007	Choi et al.		
2008/0203007	A1	8/2008	Jang et al.		
2008/0237233	A1	10/2008	Choi et al.		
2010/0219151	A1	9/2010	Risheq		
2010/0237002	A1	9/2010	Shani		

FOREIGN PATENT DOCUMENTS

WO WO2010085367 7/2010

* cited by examiner

Primary Examiner — Susan E Krakower

(74) *Attorney, Agent, or Firm* — Stacy H. Combs

(57) **CLAIM**

The ornamental design for a top for a water bottle, as shown.

DESCRIPTION

FIG. 1 is a perspective view of a top for a water bottle of the present invention;

FIG. 2 is a top view thereof;

FIG. 3 is a bottom view thereof;

FIG. 4 is a left side view thereof;

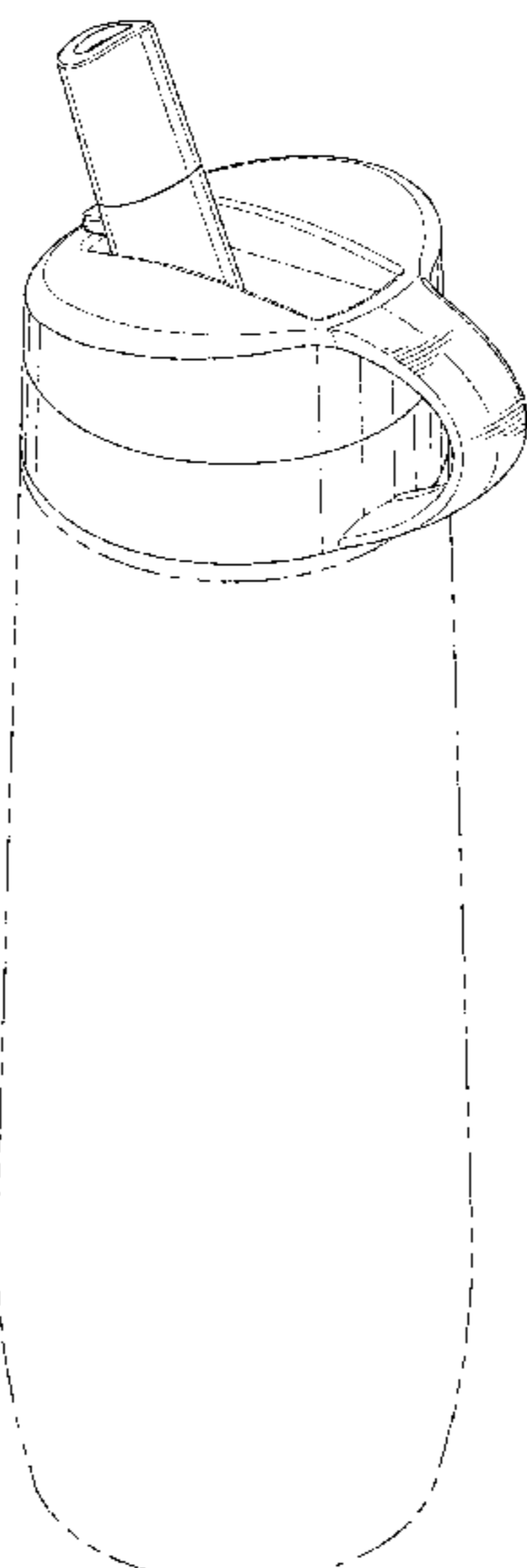
FIG. 5 is a right side view thereof;

FIG. 6 is a rear view thereof; and,

FIG. 7 is a front view thereof.

The broken lines showing environmental structure are for illustrative purposes only and form no part of the claimed design.

1 Claim, 5 Drawing Sheets



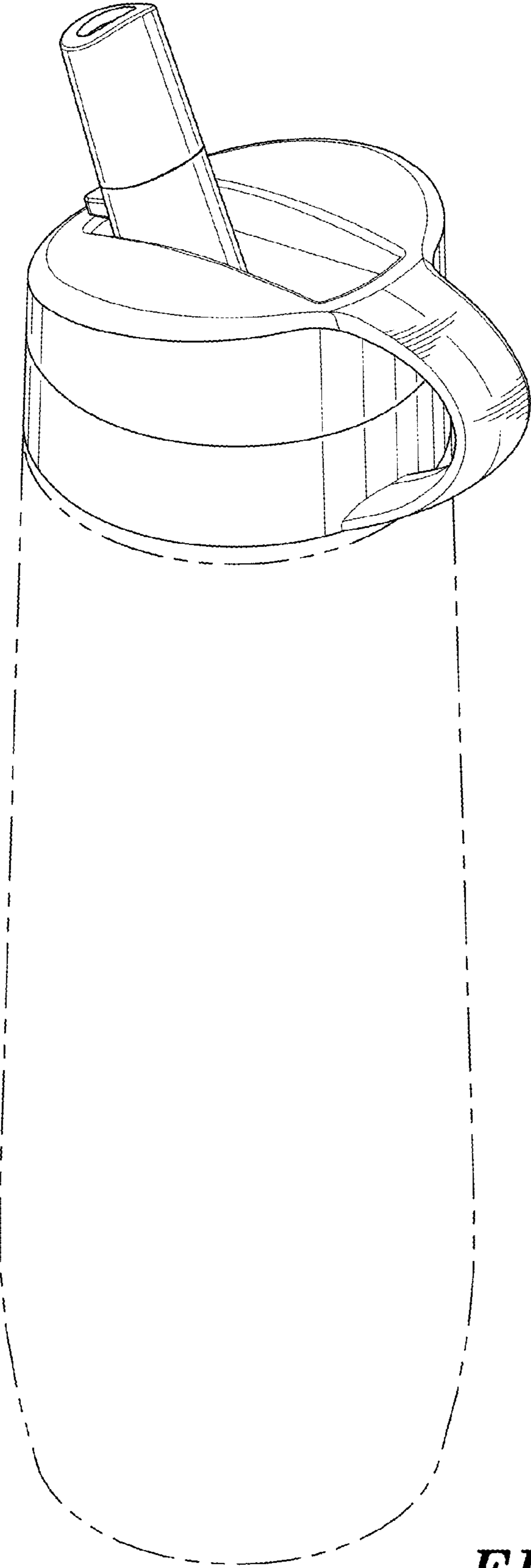


FIG. 1

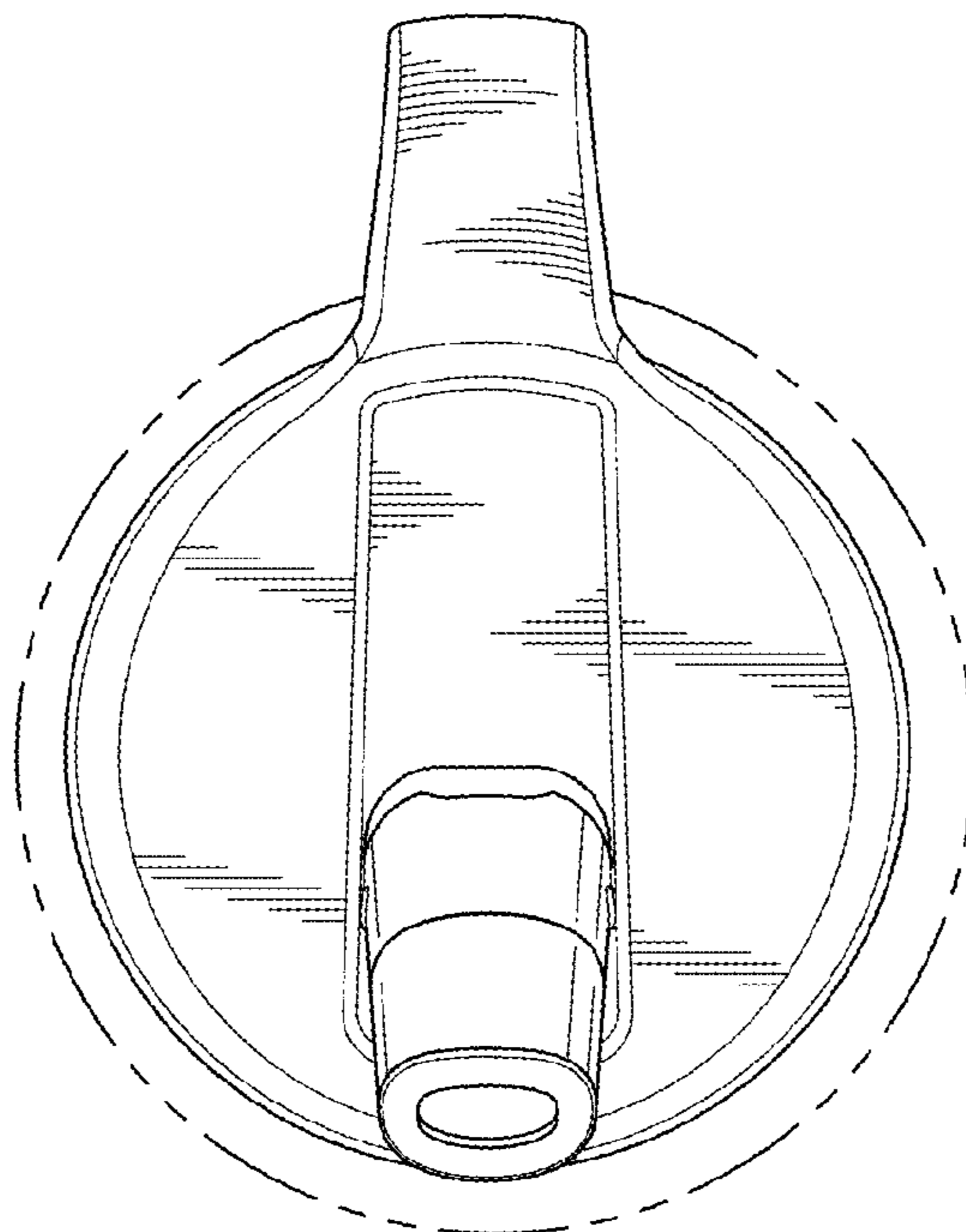


FIG. 2

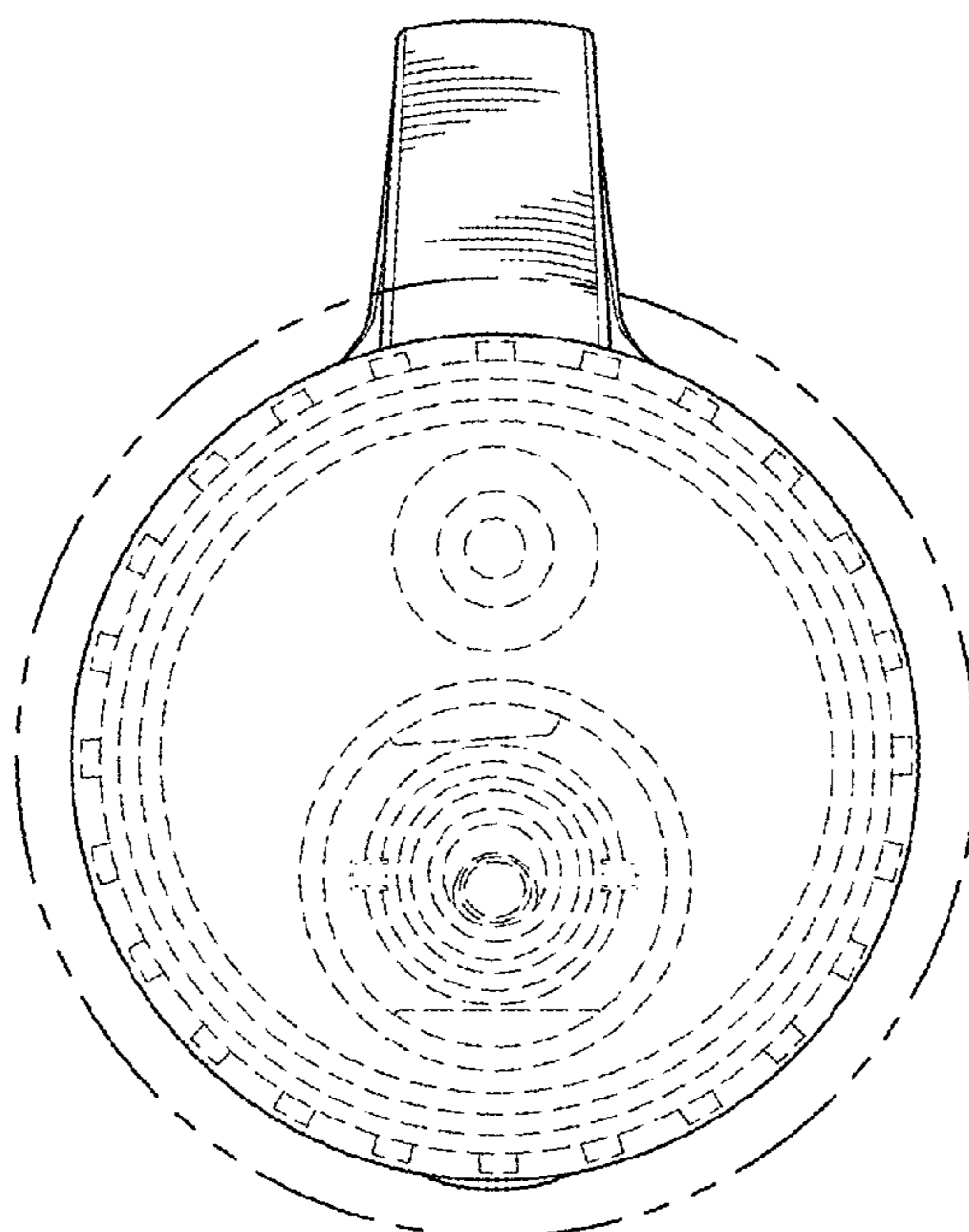


FIG. 3

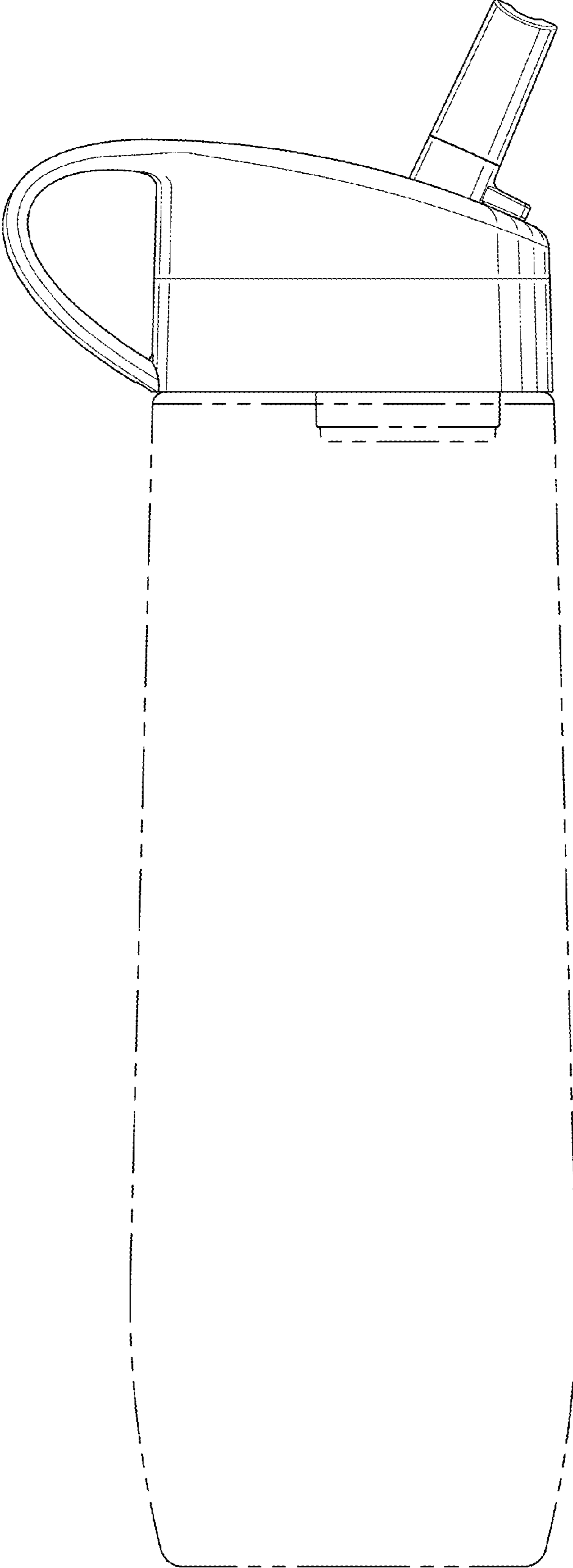


FIG. 4

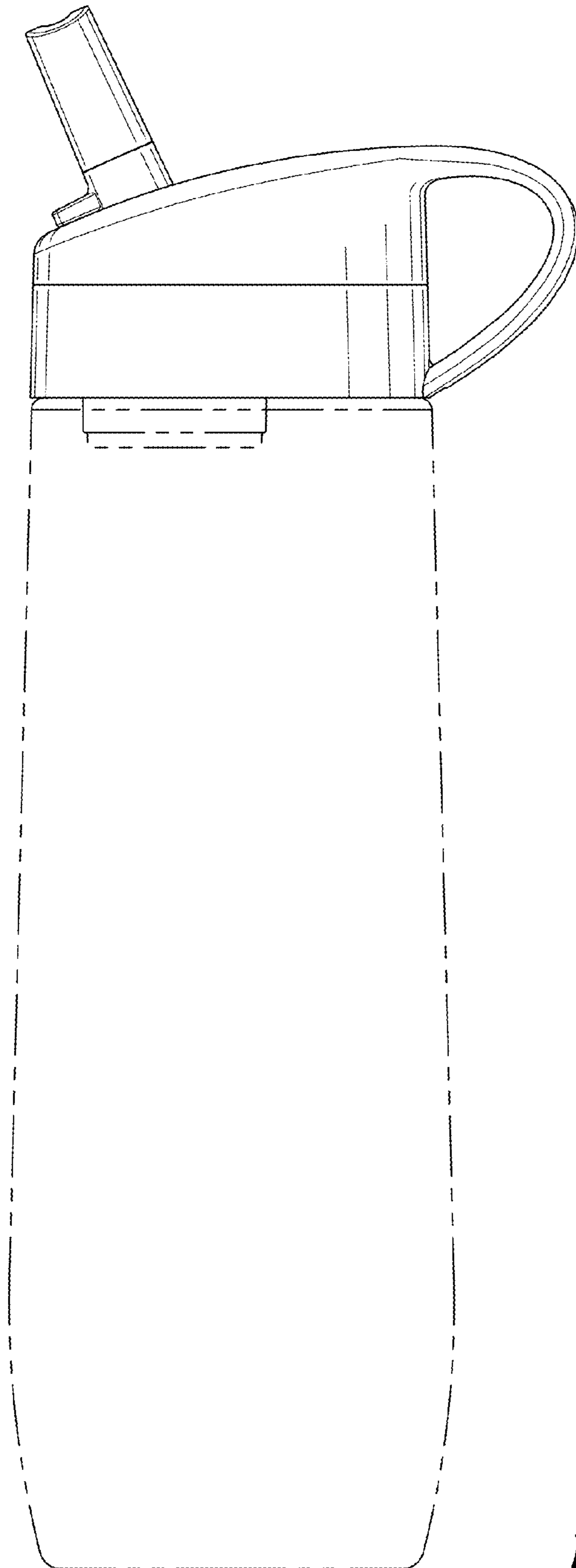


FIG. 5

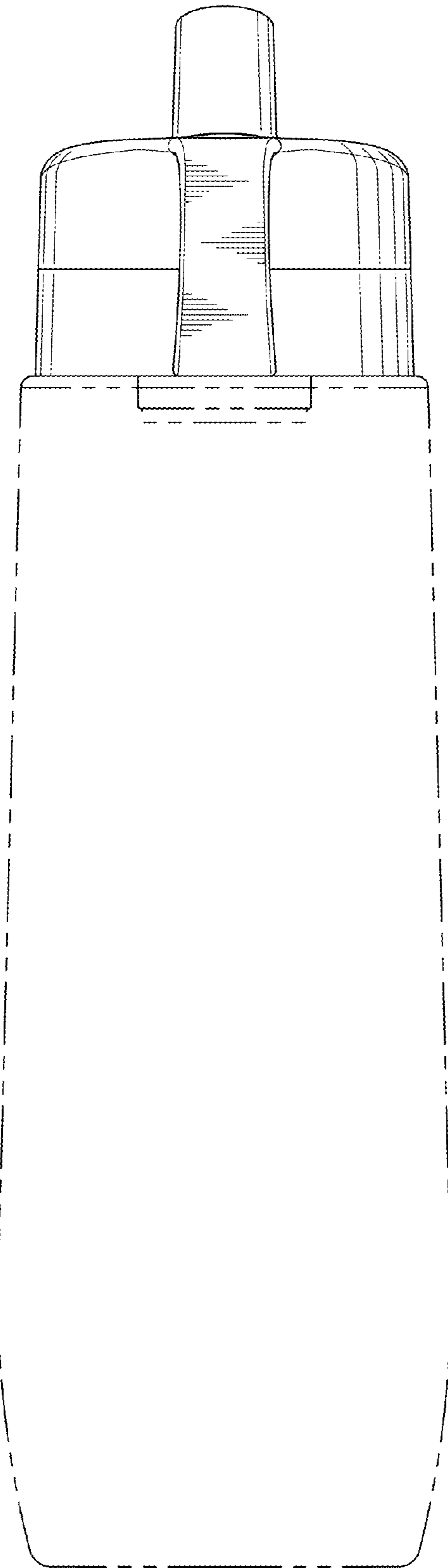


FIG. 6

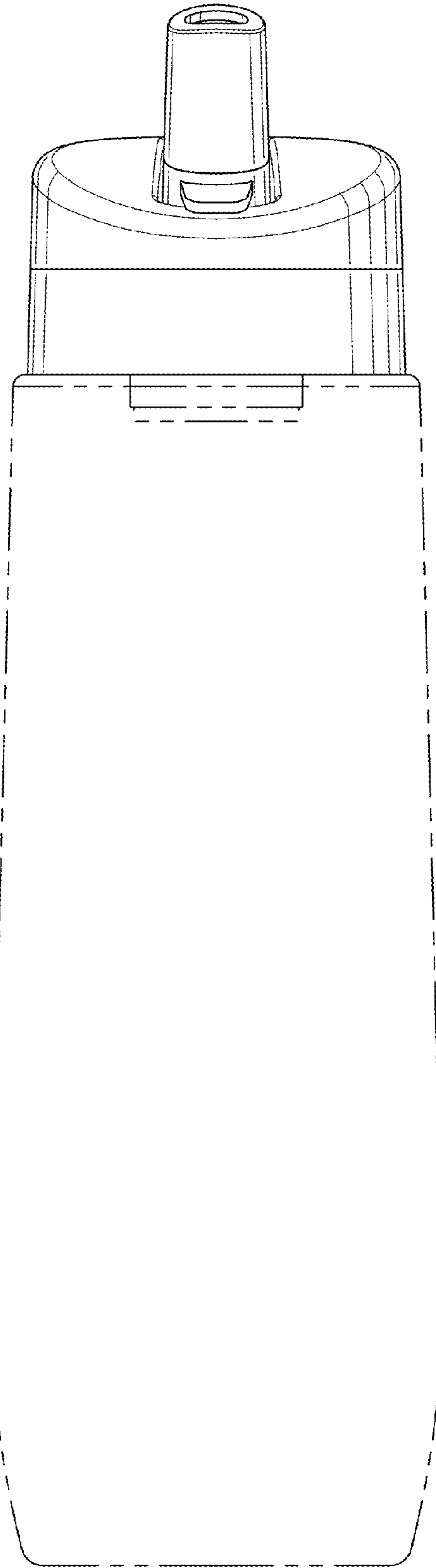


FIG. 7