



US00D685605S

(12) **United States Design Patent**  
**Xin**

(10) **Patent No.:** **US D685,605 S**  
(45) **Date of Patent:** **\*\* Jul. 9, 2013**

(54) **GRILL HAVING OIL TRAY AND  
DETACHABLE AND REVERSIBLE GRILL  
PLATE**

(71) Applicant: **Xinhua Electric Appliance Co., Ltd.,**  
Haiyan Zhejiang (CN)

(72) Inventor: **Ren Jian Xin,** Haiyan Zhejiang (CN)

(73) Assignee: **Xinhua Electric Appliance Co., Ltd.,**  
Haiyan Zhejiang (CN)

(\*\*) Term: **14 Years**

(21) Appl. No.: **29/437,628**

(22) Filed: **Nov. 19, 2012**

(51) **LOC (9) Cl.** ..... **07-02**

(52) **U.S. Cl.**  
USPC ..... **D7/362; D7/352; D7/363; D7/409**

(58) **Field of Classification Search**  
USPC ..... D7/323, 329–331, 337, 339, 346–347,  
D7/350.1–350.4, 352–367, 391, 393, 395,  
D7/402, 409–410, 538–542, 628, 672–674;  
99/324–325, 331–332, 337–349, 358, 369–376,  
99/380, 389, 400–418, 422, 425, 444–446,  
99/483; 126/37 R, 261, 378.1; 206/6.1,  
501–505, 507–508; 219/386, 400, 405,  
429–442, 450.1, 452.13, 620–624, 725,  
730–735; 220/23.8, 315, 573.1–573.5, 832,  
220/912; 249/119; 426/438, 441, 549  
See application file for complete search history.

(56) **References Cited**

**U.S. PATENT DOCUMENTS**

D229,448 S	11/1973	Traclet	.....	D81/10
D286,494 S *	11/1986	Lastuck	.....	D7/363
D365,495 S	12/1995	O'Higgins	.....	D7/359

D366,390 S	1/1996	Vitantonio	.....	D7/363
5,524,528 A *	6/1996	Yeh	.....	99/446
D377,134 S *	1/1997	Des Touche	.....	D7/362
D380,342 S *	7/1997	Edmonds	.....	D7/363
5,884,555 A *	3/1999	Chang	.....	99/425
D415,927 S	11/1999	Weber	.....	D7/363
6,024,014 A *	2/2000	Kasai	.....	99/425
D424,367 S *	5/2000	Choi	.....	D7/363
D431,152 S *	9/2000	Lee	.....	D7/362
D432,852 S *	10/2000	Mosher et al.	.....	D7/337
D436,796 S	1/2001	Kalina et al.	.....	D7/363
D437,183 S *	2/2001	Wong et al.	.....	D7/362
D441,250 S *	5/2001	Choi	.....	D7/362

(Continued)

*Primary Examiner* — Ricky Pham

(74) *Attorney, Agent, or Firm* — Dergosits & Noah LLP

(57) **CLAIM**

The ornamental design for a grill having an oil tray and a detachable and reversible grill plate, substantially as shown and described.

**DESCRIPTION**

FIG. 1 is a front perspective view of a grill having a first orientation of a grill plate.

FIG. 2 is a top plan view thereof.

FIG. 3 is bottom plan view thereof; shown where the grill plate is detached and the oil tray is exposed.

FIG. 4 is a front elevational view of the grill.

FIG. 5 is a rear elevational view of the grill and the oil tray.

FIG. 6 is a right side elevational view of the grill.

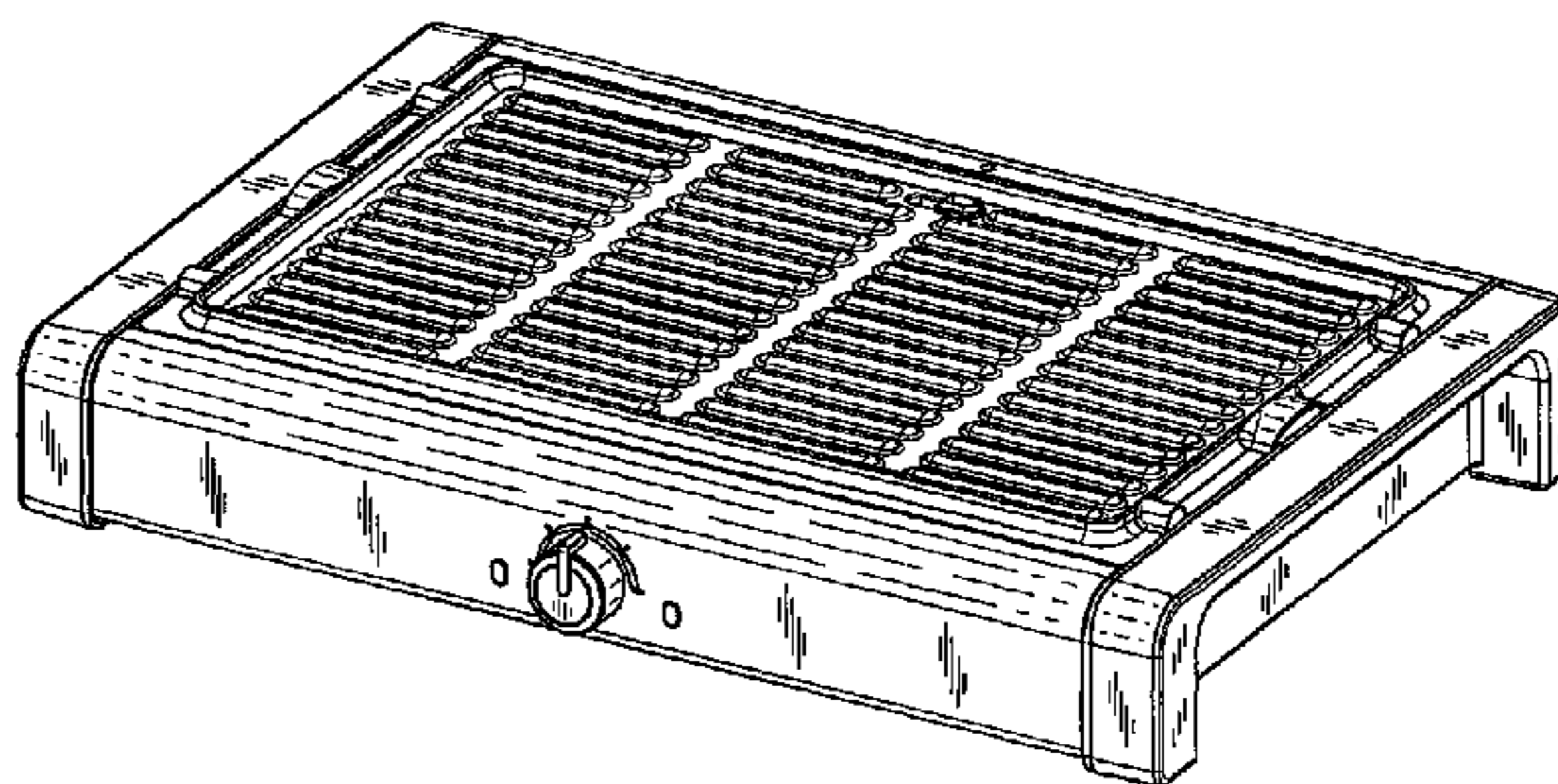
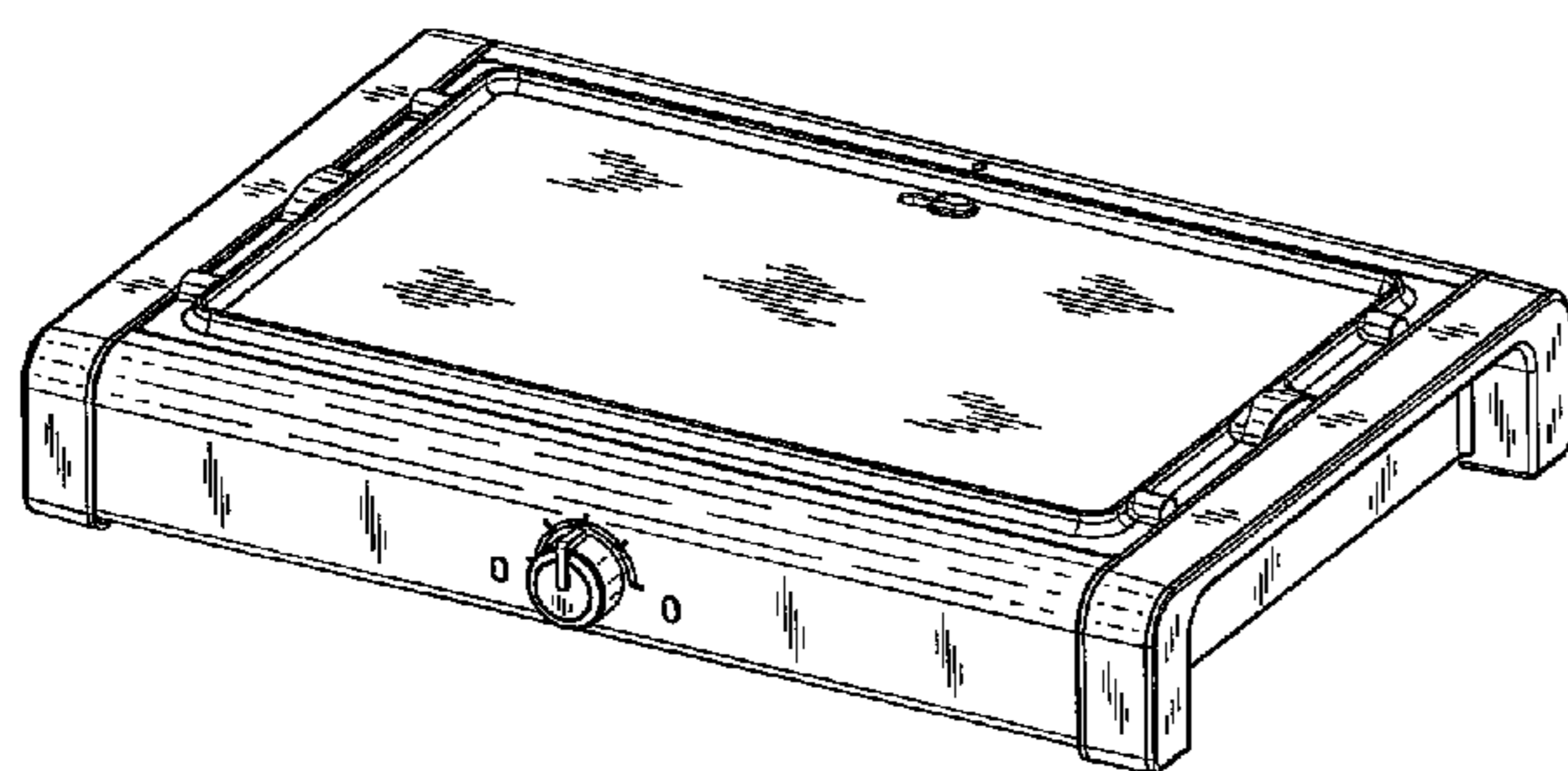
FIG. 7 is a left side elevational view of the grill.

FIG. 8 is a top plan view of the grill having a second orientation of the grill plate.

FIG. 9 is a front perspective view of the grill having the second orientation of the grill plate; and,

FIG. 10 is a rear bottom perspective view of the grill and the oil tray.

**1 Claim, 8 Drawing Sheets**



# US D685,605 S

Page 2

## U.S. PATENT DOCUMENTS

D444,667 S *	7/2001	Wong et al.	.....	D7/362	D575,098 S *	8/2008	Seymour	.....	D7/363
6,262,399 B1 *	7/2001	Lau et al.	.....	219/450.1	D593,791 S	6/2009	Joensson	.....	D7/367
D452,630 S *	1/2002	Choi	.....	D7/362	D610,394 S *	2/2010	Bodum	.....	D7/362
D457,393 S *	5/2002	Lewis	.....	D7/402	D618,047 S	6/2010	Seymour	.....	D7/367
D458,078 S *	6/2002	Lin	.....	D7/362	D632,126 S	2/2011	Tetreault	.....	D7/352
D473,419 S *	4/2003	Garman	.....	D7/363	D644,059 S *	8/2011	Bodum	.....	D7/363
D483,224 S	12/2003	Clark	.....	D7/402	D650,224 S	12/2011	Miller et al.	.....	D7/402
D484,737 S	1/2004	Bodum	.....	D7/337	D658,429 S	5/2012	Berge	.....	D7/363
D503,066 S	3/2005	Militi	.....	D7/359	D660,640 S	5/2012	De'Longhi	.....	D7/362
D505,044 S *	5/2005	Hei	.....	D7/363	D669,303 S *	10/2012	Garman	.....	D7/363
D514,876 S	2/2006	Simond	.....	D7/363	D676,272 S *	2/2013	Liu	.....	D7/362
D523,688 S *	6/2006	Karam	.....	D7/365	D676,273 S *	2/2013	Liu	.....	D7/362
D533,016 S *	12/2006	Genslak et al.	.....	D7/363					

\* cited by examiner

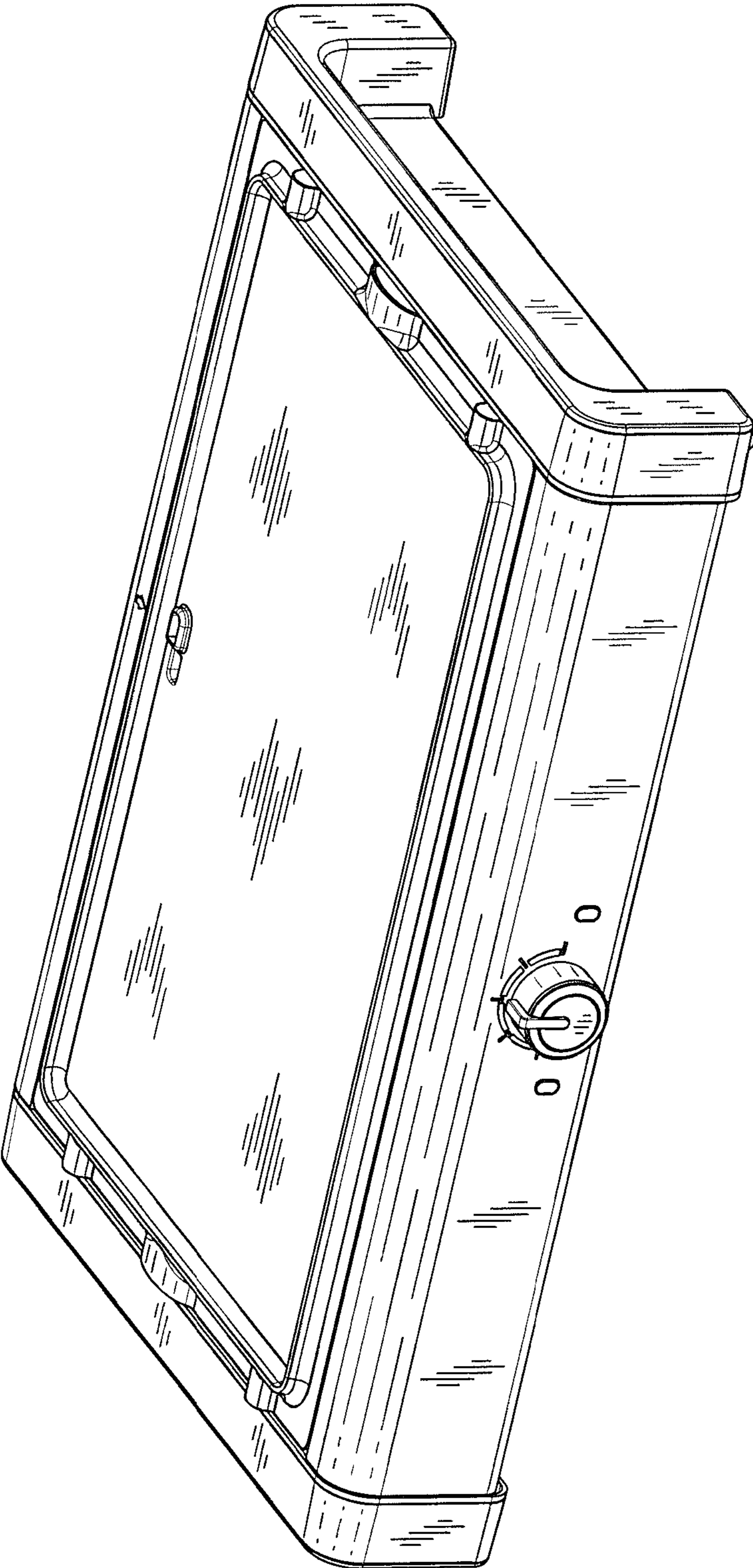


FIG. 1

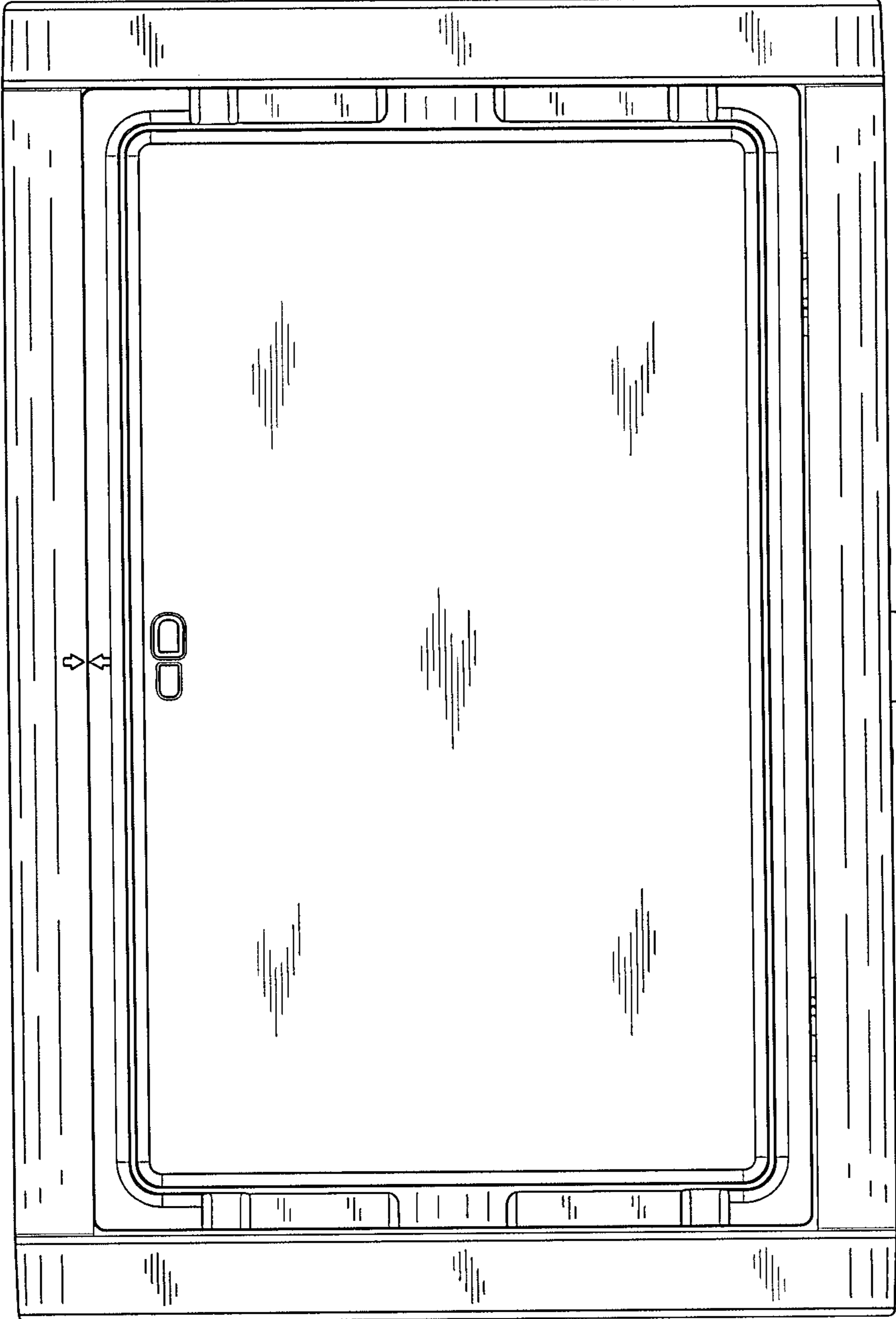


FIG. 2



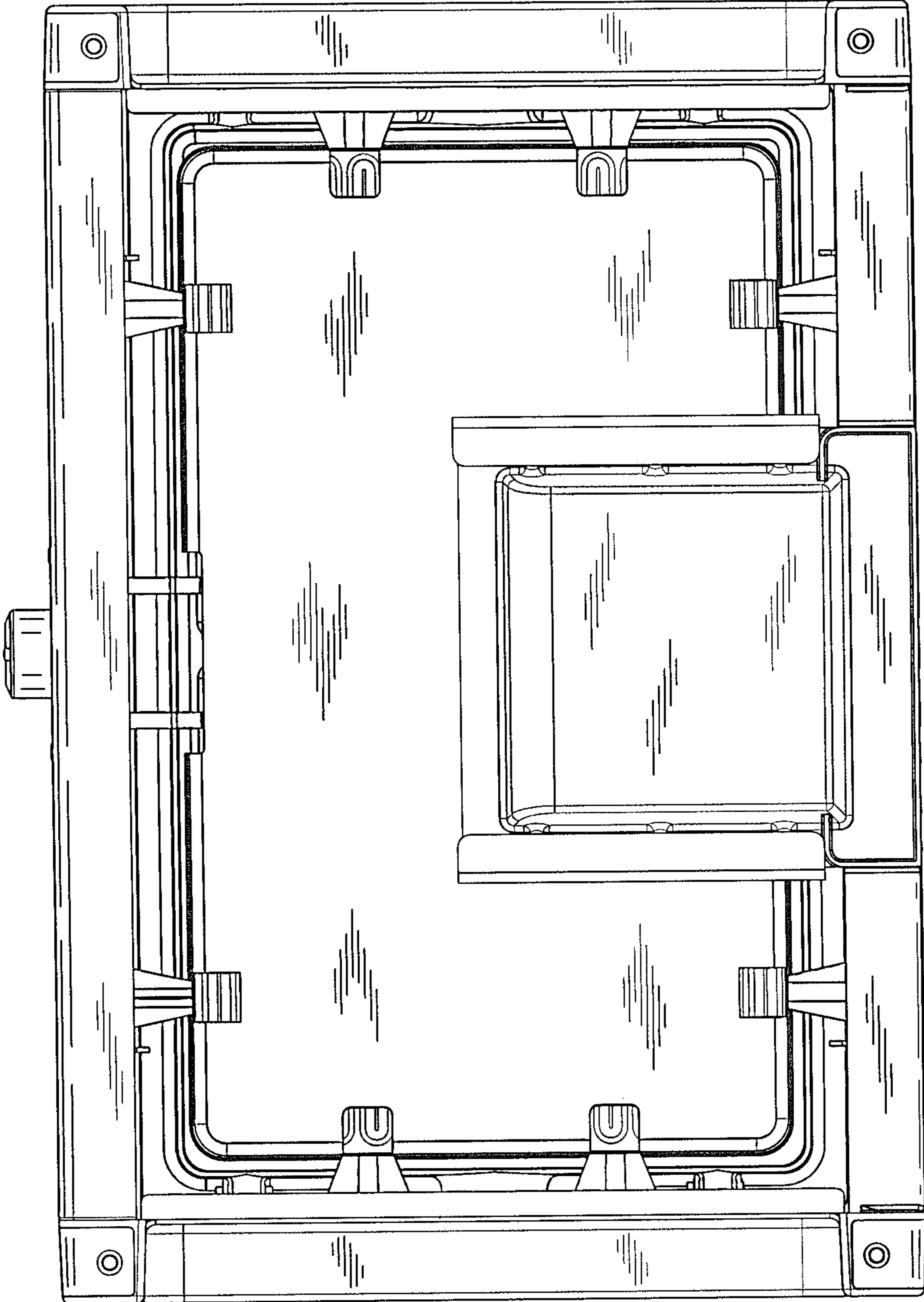


FIG. 3

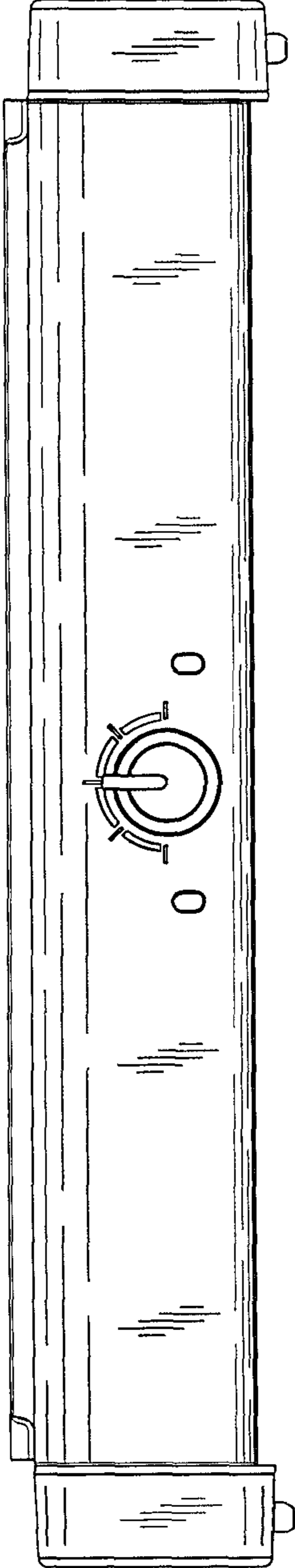


FIG. 4

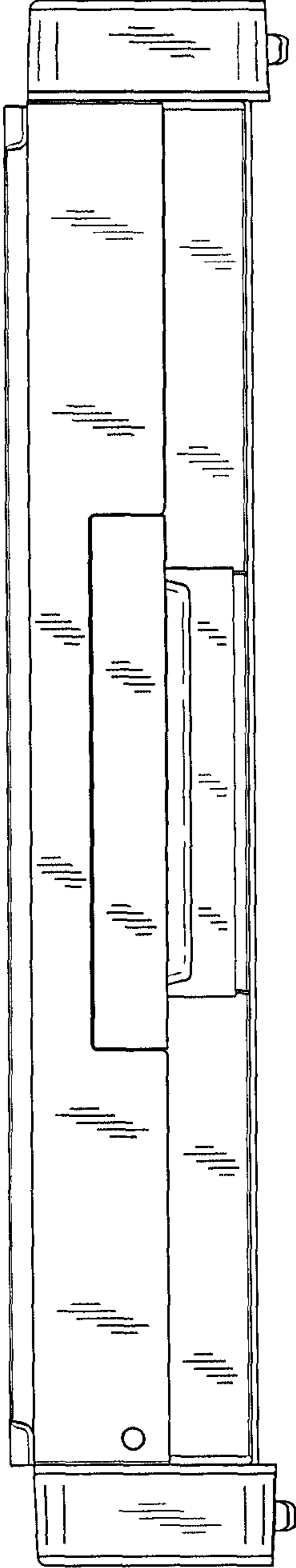


FIG. 5

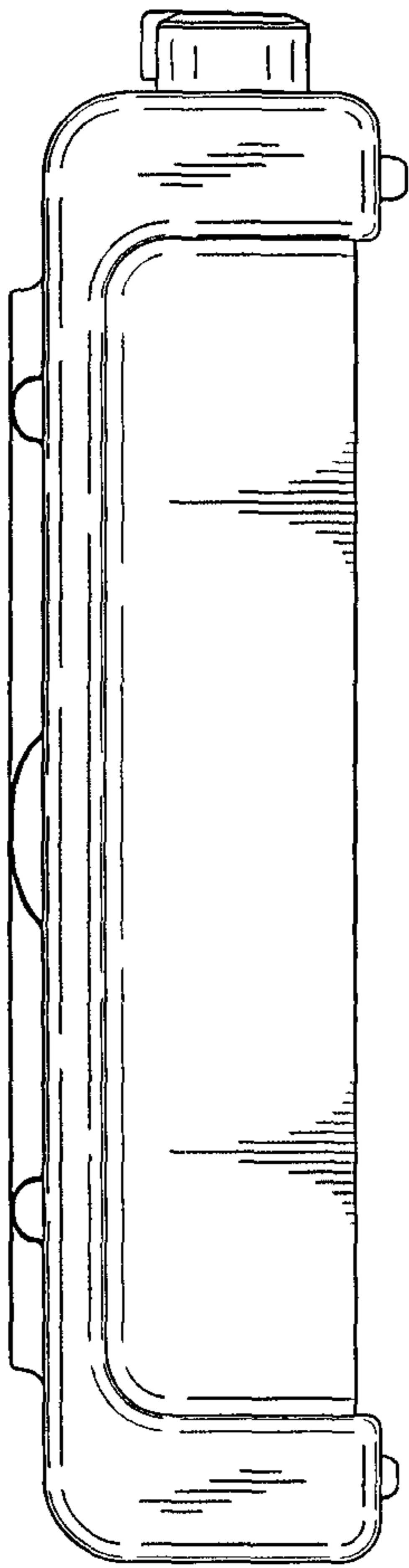


FIG. 6



FIG. 7

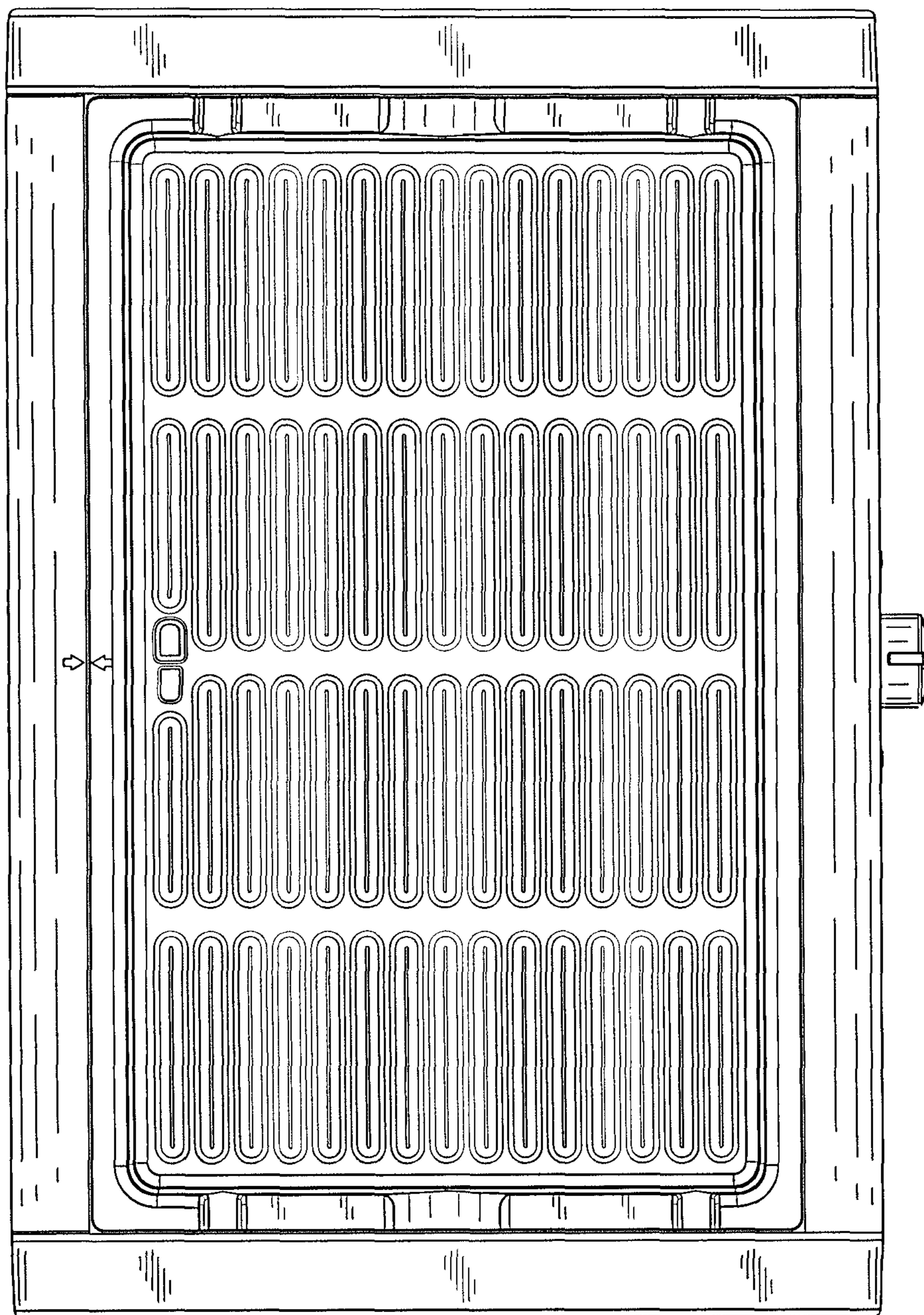


FIG. 8



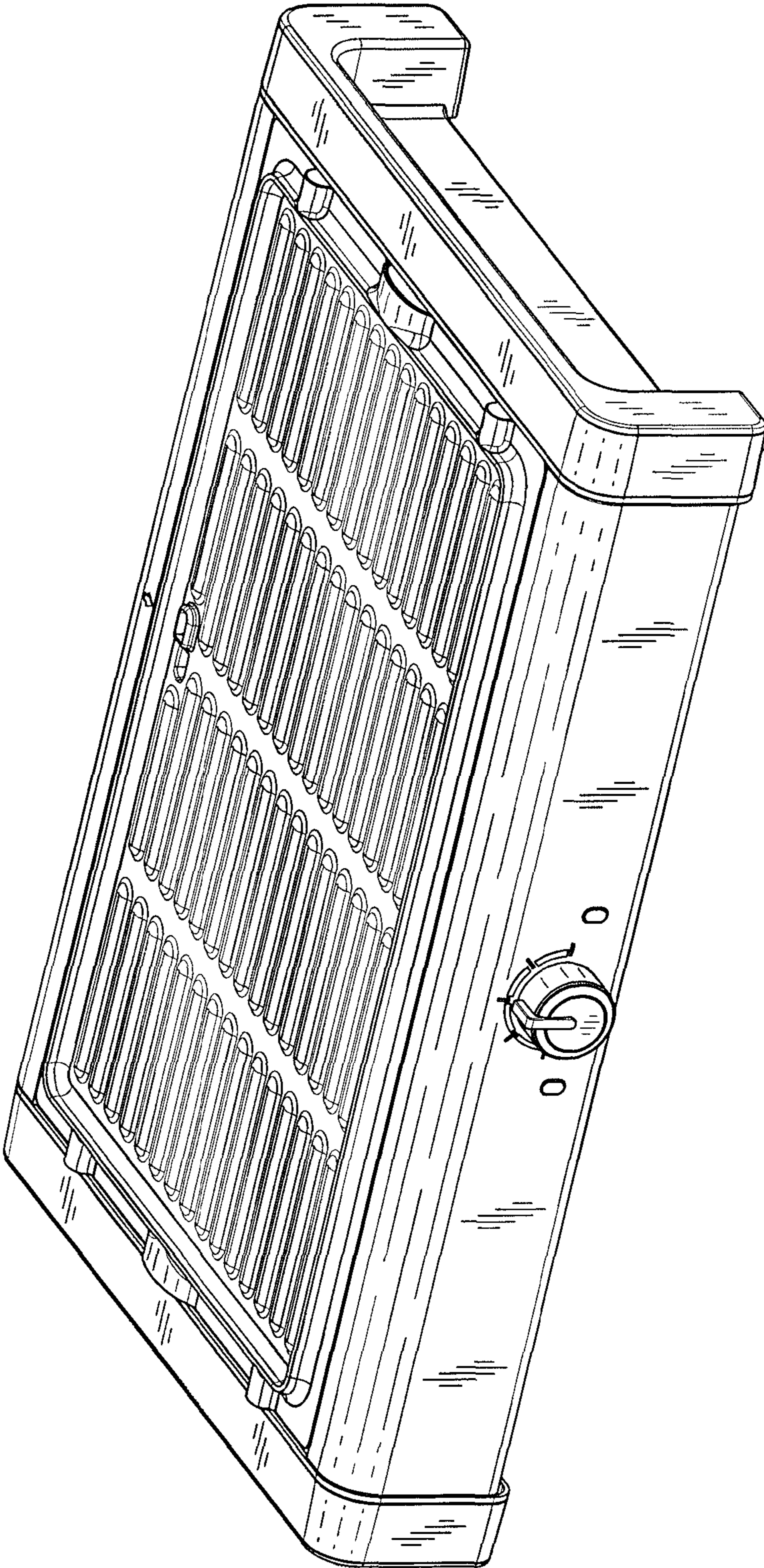


FIG. 9

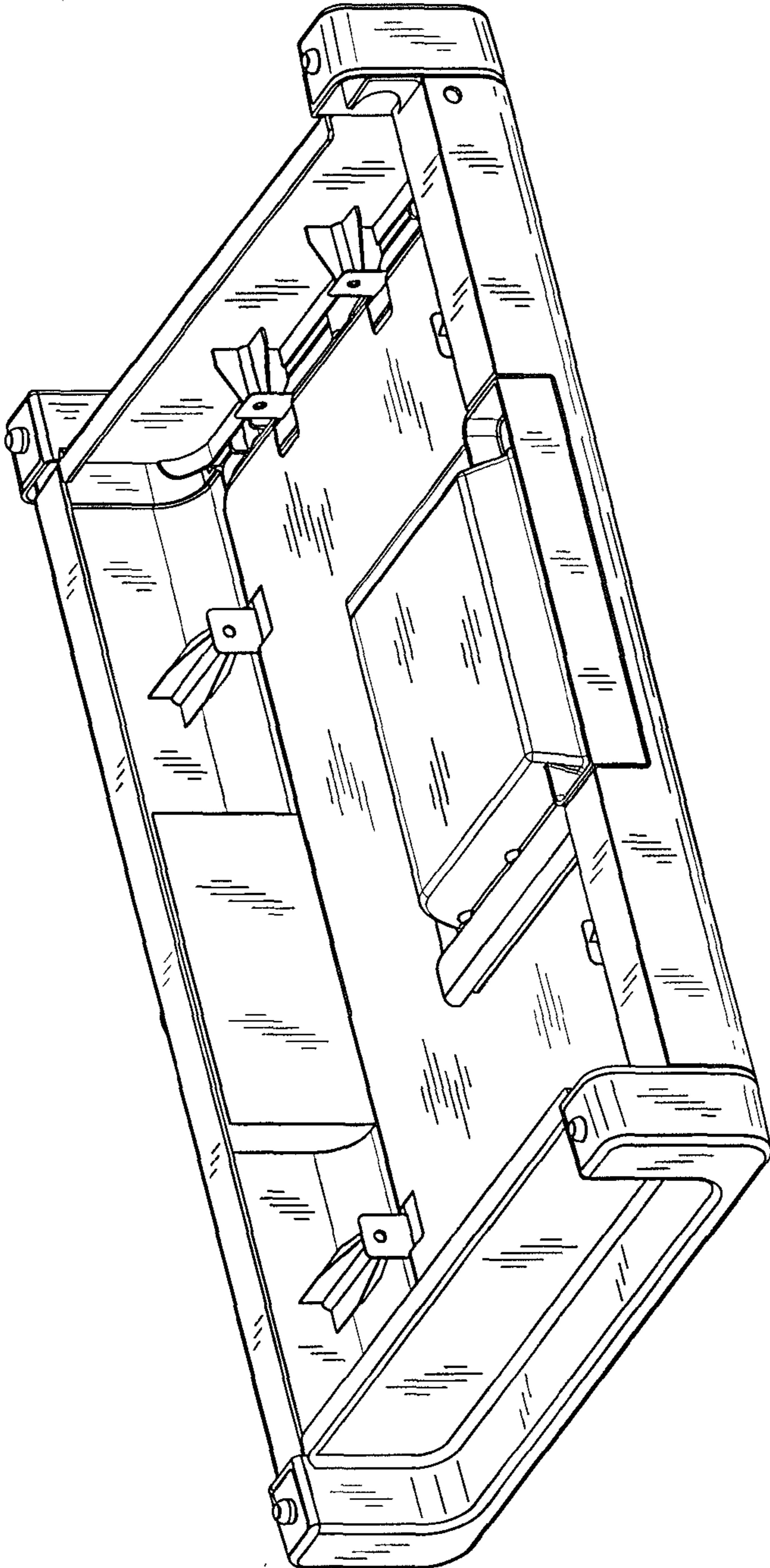


FIG. 10