



US00D685603S

(12) **United States Design Patent**
Mishan

(10) **Patent No.:** **US D685,603 S**

(45) **Date of Patent:** **** Jul. 9, 2013**

(54) **ELECTRIC OVEN COOKING CONTAINER**

(75) Inventor: **Jeffrey Mishan**, New York, NY (US)

(73) Assignee: **E. Mishan & Sons, Inc.**, New York, NY (US)

(**) Term: **14 Years**

(21) Appl. No.: **29/425,710**

(22) Filed: **Jun. 26, 2012**

(51) **LOC (9) Cl.** **07-02**

(52) **U.S. Cl.**
USPC **D7/354**

(58) **Field of Classification Search**
USPC D7/35-367, 391, 393, 395, 402, D7/406, 409, 538, 542, 667; 99/324-325, 99/330-340, 357, 369, 400-418, 422, 425, 99/444, 448, 483; 126/20, 37 R, 41 R, 261, 126/378.1; 206/501-505, 507-508; 219/386, 219/400, 405, 429-442, 620-624, 725, 219/730-735; 220/264, 315, 485, 573.1-573.5, 220/759, 912; 426/438, 441, 523
See application file for complete search history.

(56) **References Cited**

U.S. PATENT DOCUMENTS

D302,642 S *	8/1989	Nishikawa	D7/350.3
D328,834 S *	8/1992	Chang	D7/350.3
D364,308 S *	11/1995	Chang	D7/350.3
D367,396 S *	2/1996	Hsu	D7/350.3
5,656,188 A *	8/1997	Janowiak et al.	219/438

D437,182 S *	2/2001	Choi	D7/360
6,201,217 B1 *	3/2001	Moon et al.	219/386
D444,342 S *	7/2001	Kruepke et al.	D7/360
D473,748 S *	4/2003	Cho	D7/360
6,936,795 B1 *	8/2005	Moon et al.	219/400
7,228,792 B2 *	6/2007	Crawford et al.	99/400
7,943,888 B2 *	5/2011	Barnes et al.	219/432
D658,428 S *	5/2012	Seymour	D7/363

* cited by examiner

Primary Examiner — Ricky Pham

(74) *Attorney, Agent, or Firm* — Notaro, Michalos & Zaccaria P.C.

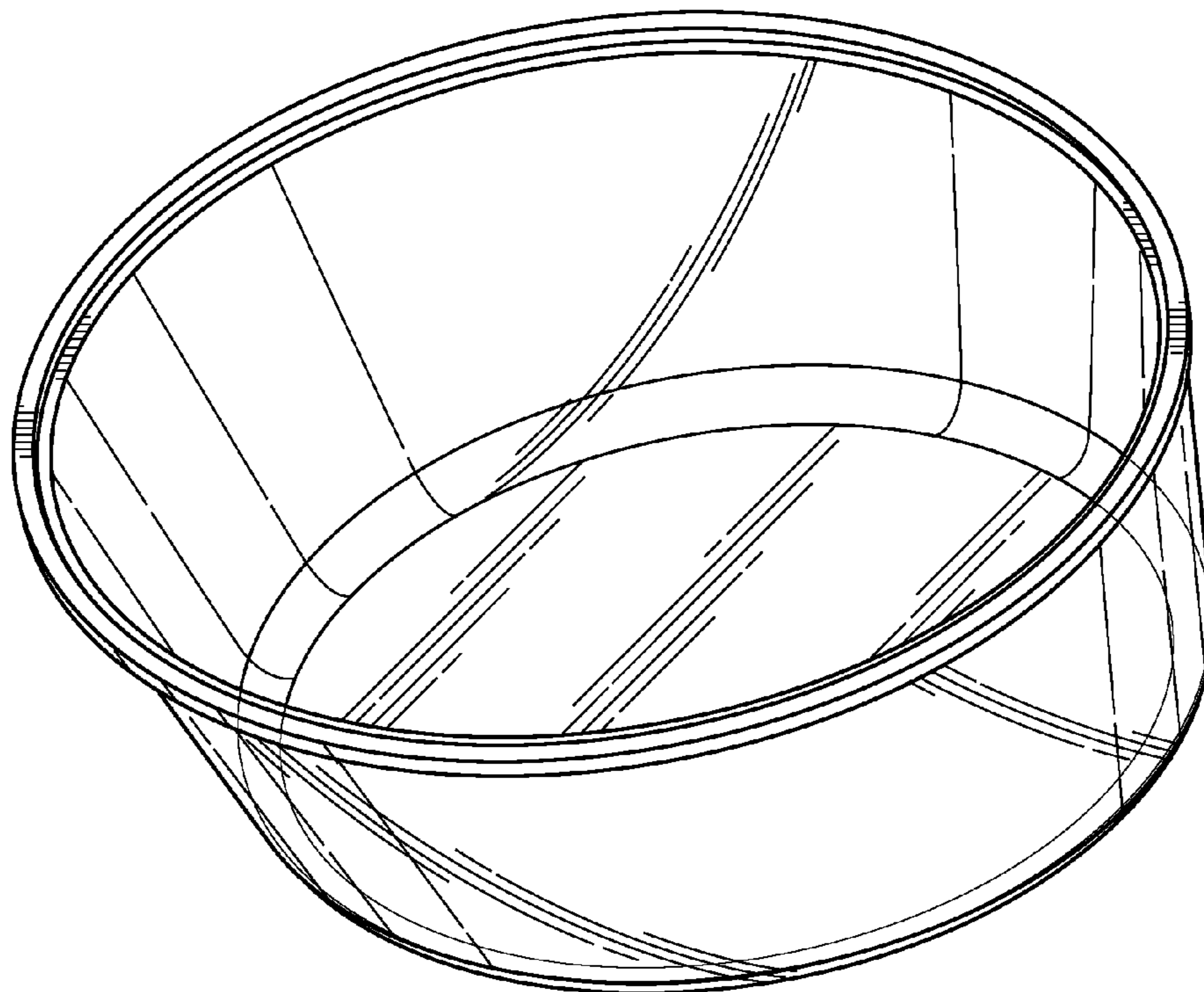
(57) **CLAIM**

The ornamental design for an electric oven cooking container, as shown and described.

DESCRIPTION

FIG. 1 is a top, front, left perspective view of a glass bowl for use in an electric oven showing my new design therefor; FIG. 2 is a bottom rear, right perspective view thereof; FIG. 3 is a front elevational view thereof, the rear elevation being identical; FIG. 4 is a side elevational view thereof, the opposite side being identical; FIG. 5 is a top plan view thereof; FIG. 6 is a bottom plan view thereof; and, FIG. 7 is a cross-sectional view taken along line of 7-7 of FIG. 6 on an enlarged scale to better show the shape of the glass bowl.

1 Claim, 4 Drawing Sheets



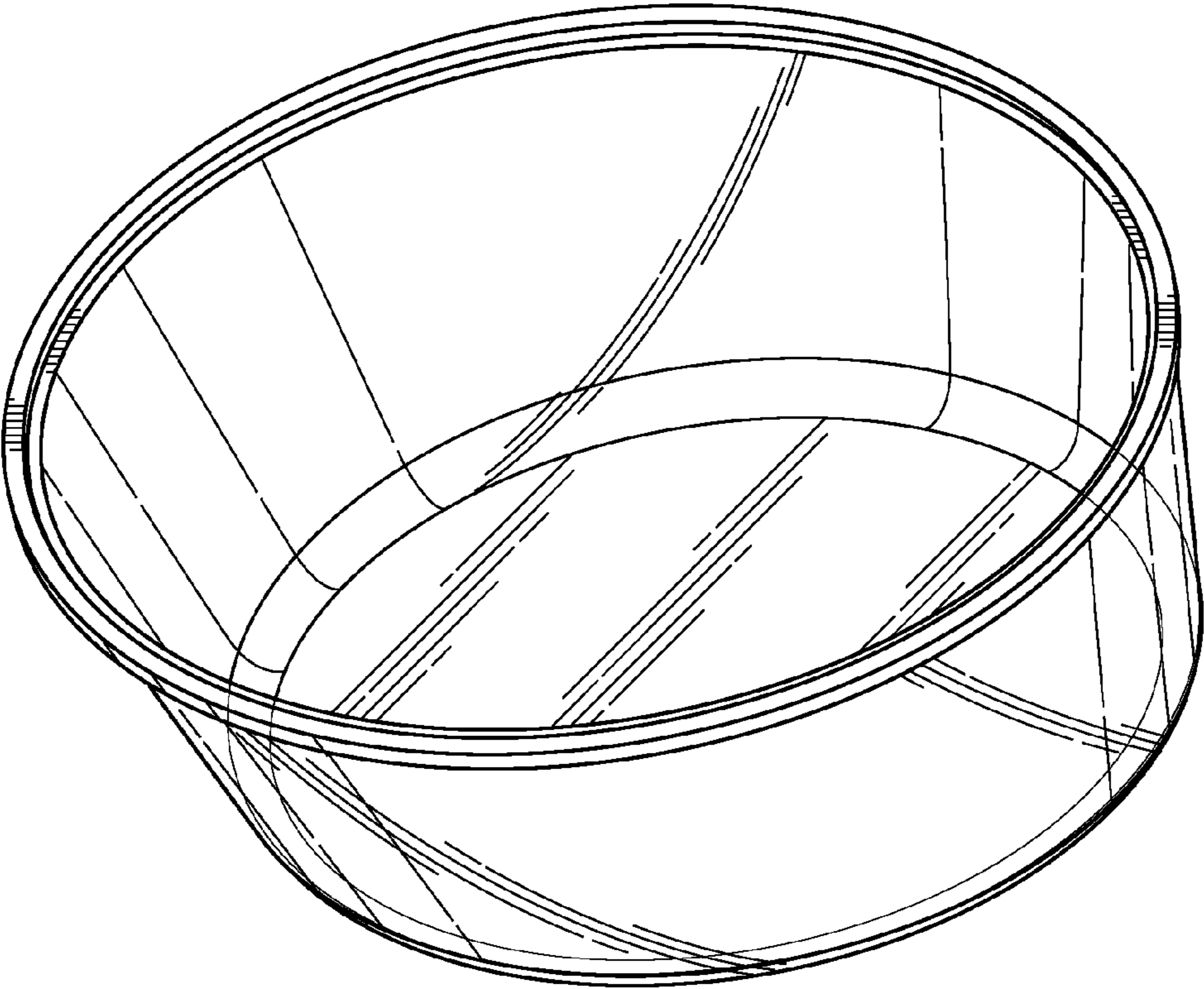


FIG. 1

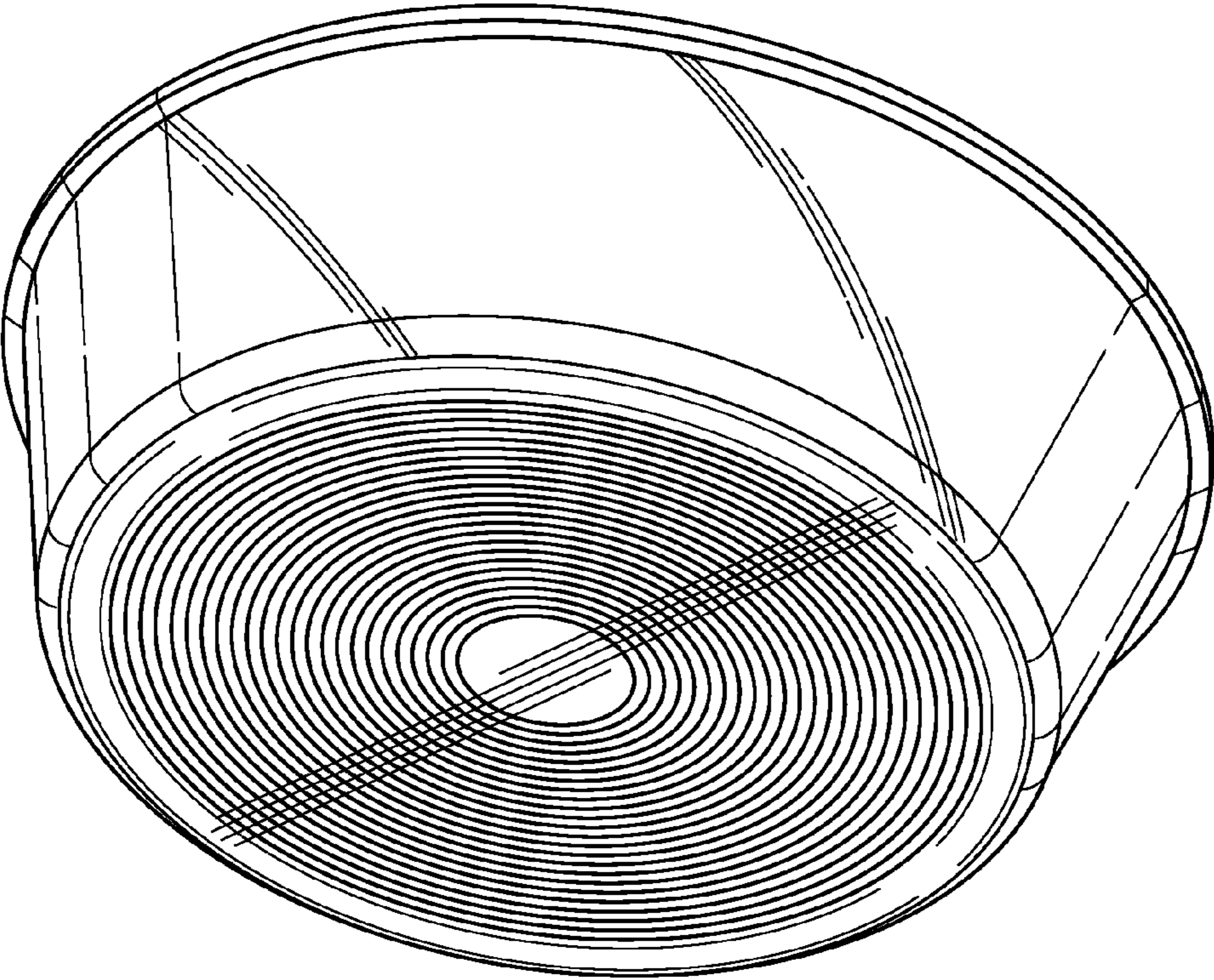


FIG. 2

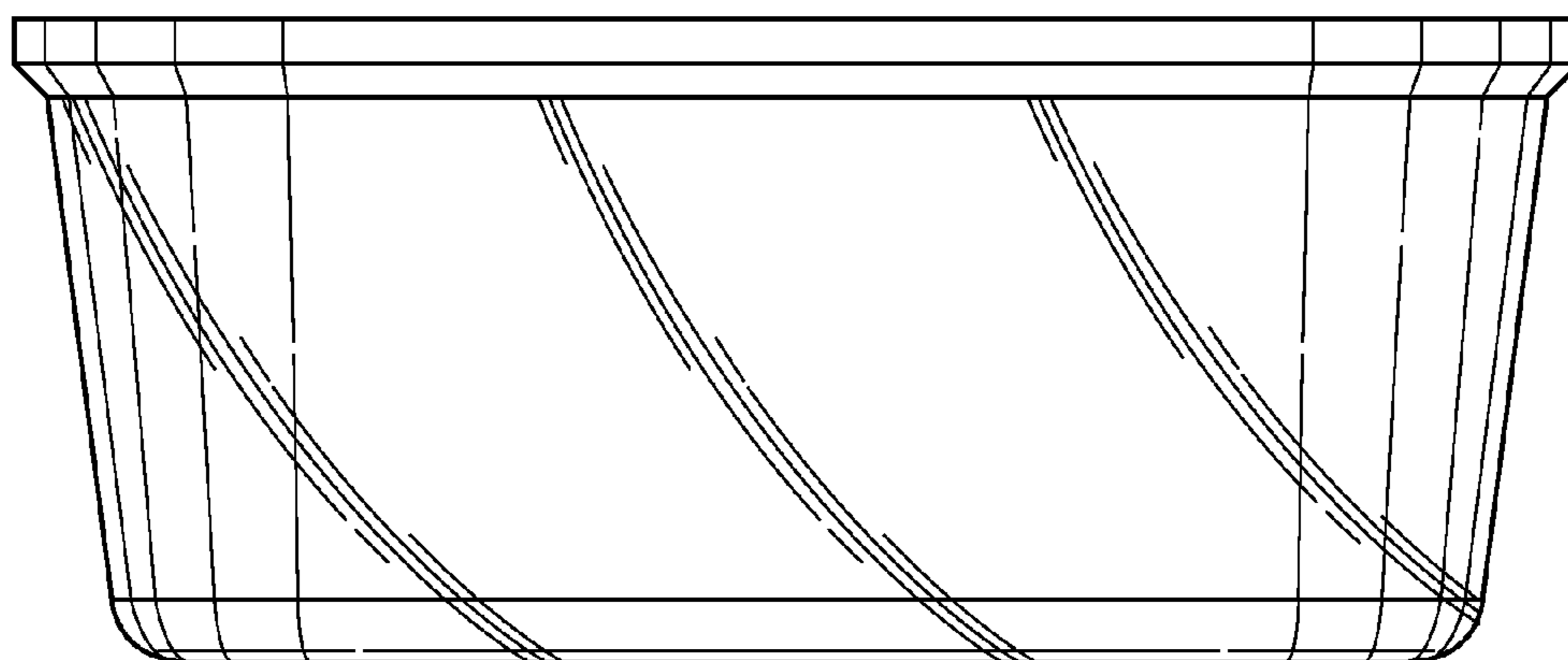


FIG. 3

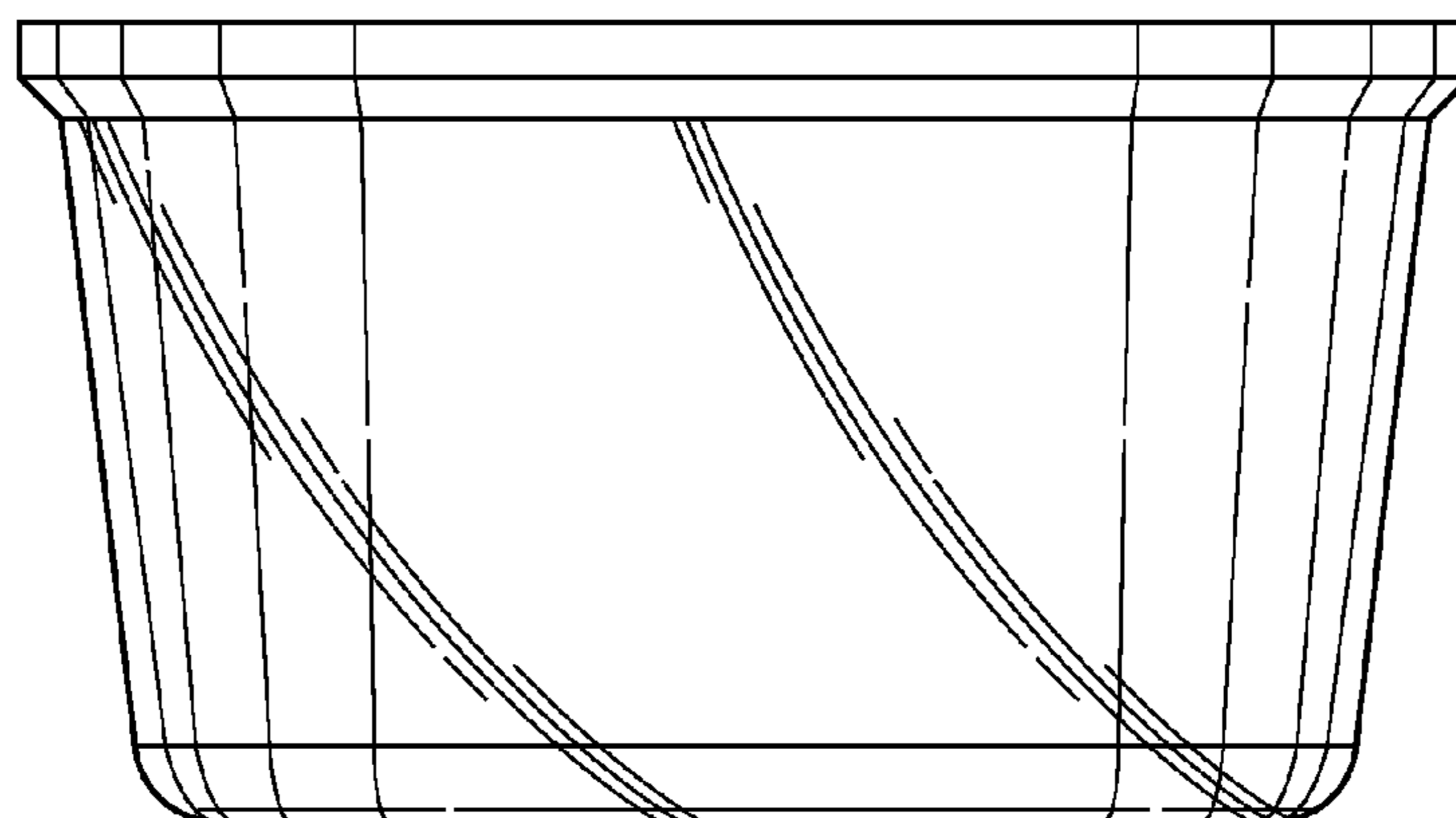


FIG. 4

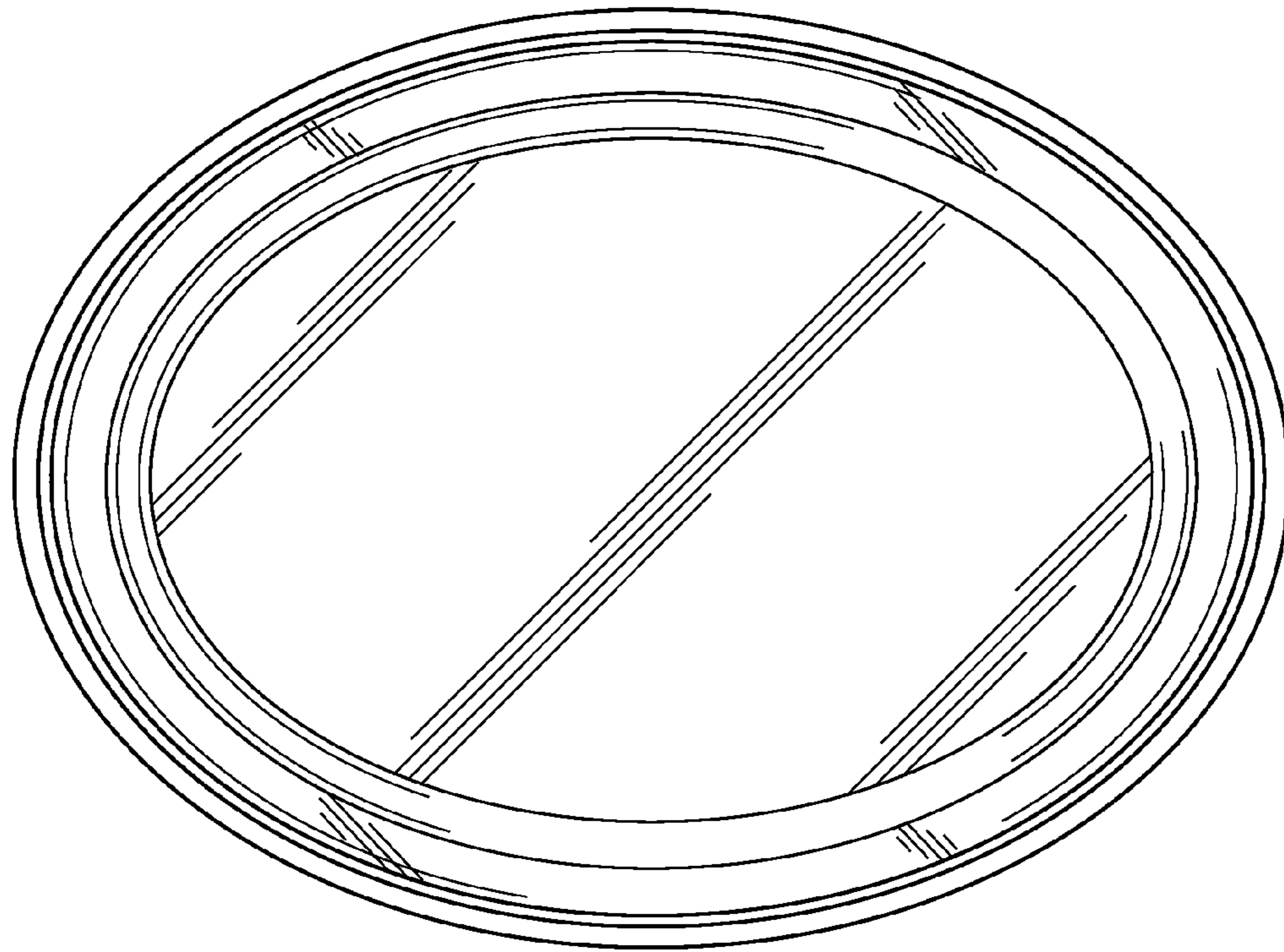


FIG. 5

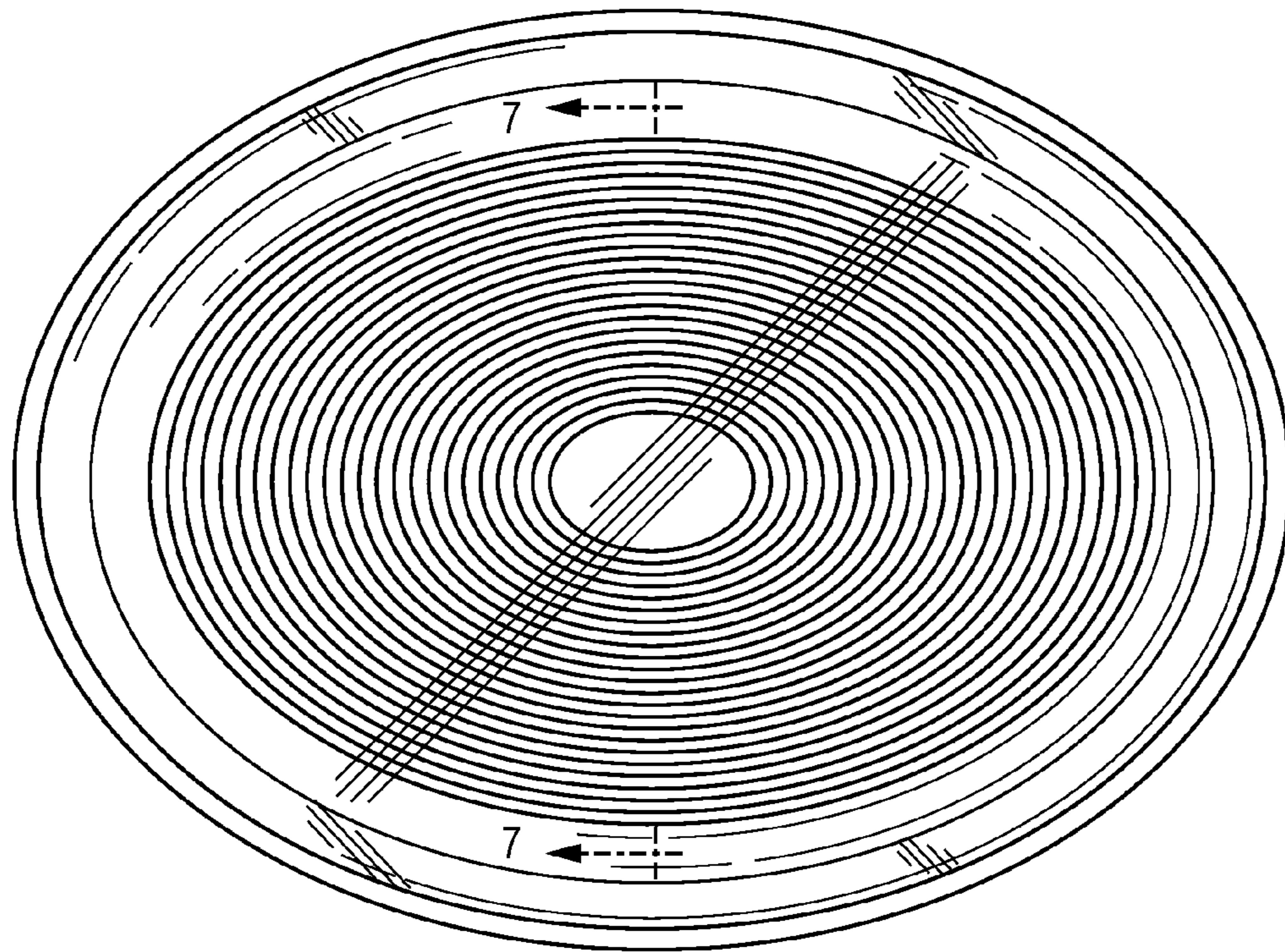


FIG. 6

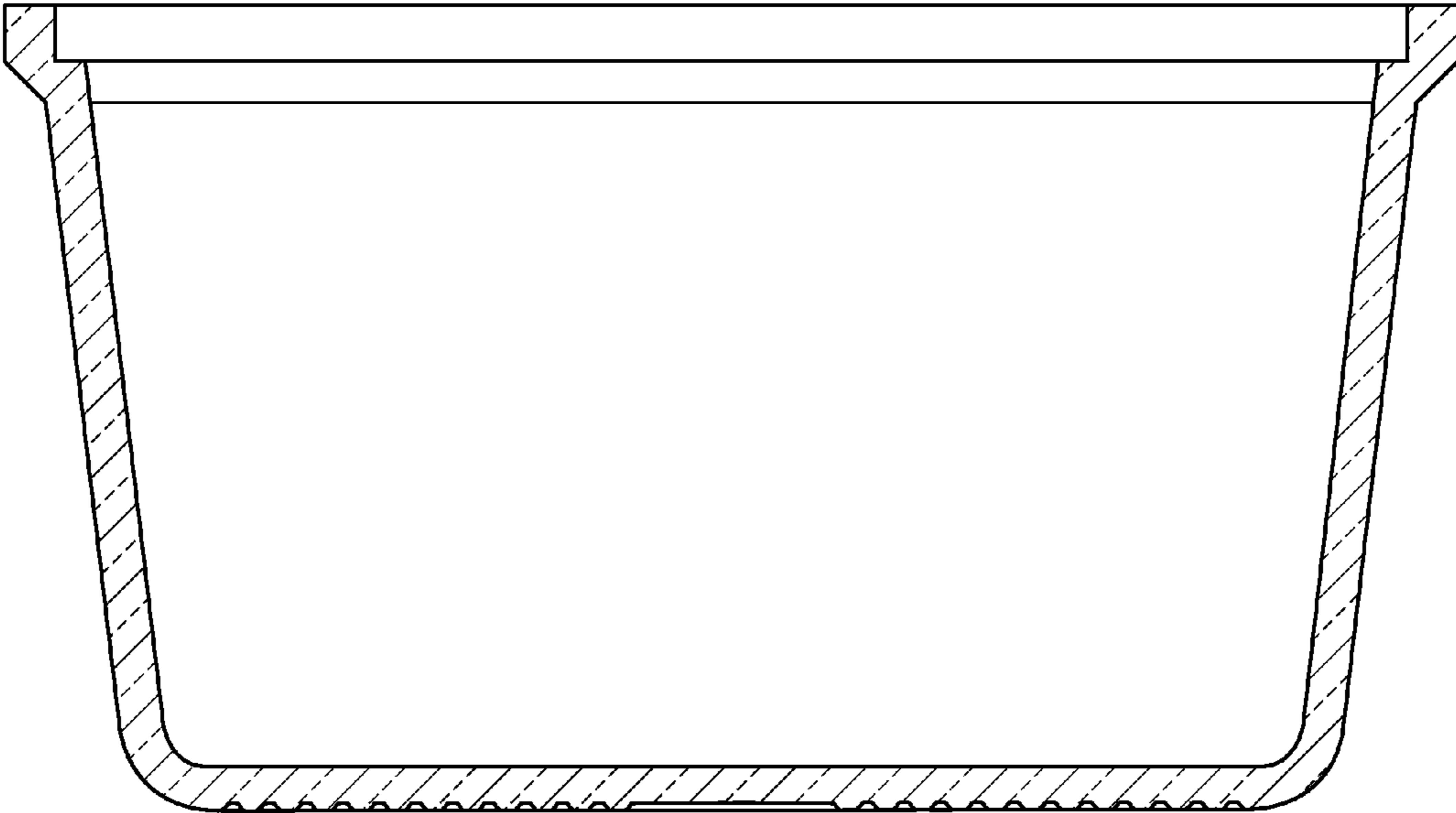


FIG. 7