



US00D685598S

(12) **United States Design Patent**  
**Hori et al.**

(10) **Patent No.:** **US D685,598 S**  
(45) **Date of Patent:** **\*\* Jul. 9, 2013**

(54) **CHAIR**

- (71) Applicants: **Yoshihito Hori**, Gifu (JP); **Hiroshi Saotome**, Yokohama (JP)
- (72) Inventors: **Yoshihito Hori**, Gifu (JP); **Hiroshi Saotome**, Yokohama (JP)
- (73) Assignee: **Okamura Corporation**, Kanagawa (JP)
- (\*\*) Term: **14 Years**
- (21) Appl. No.: **29/438,395**
- (22) Filed: **Nov. 29, 2012**

**Related U.S. Application Data**

- (62) Division of application No. 29/388,011, filed on Mar. 23, 2011.

**Foreign Application Priority Data**

- Sep. 24, 2010 (JP) ..... 2010-022918
- Sep. 24, 2010 (JP) ..... 2010-022919
- Sep. 24, 2010 (JP) ..... 2010-022922
- (51) **LOC (9) Cl.** ..... **06-06**
- (52) **U.S. Cl.**  
USPC ..... **D6/716.4**
- (58) **Field of Classification Search**  
USPC ..... D6/334-335, 374, 376, 379-380,  
D6/449, 500-502, 716-716.1, 716.4;  
297/411.29, 445.1, 446.1, 452.12, 452.14,  
297/452.18, 452.19, 448.1, 452.26, 452.29,  
297/452.64

See application file for complete search history.

(56) **References Cited**

U.S. PATENT DOCUMENTS

D309,384	S	*	7/1990	Buhk	.....	D6/366
D518,968	S	*	4/2006	Magnani et al.	.....	D6/375
D574,646	S	*	8/2008	Su	.....	D6/502
D585,656	S	*	2/2009	Massaud	.....	D6/366
D590,616	S	*	4/2009	Benn	.....	D6/372
D605,421	S	*	12/2009	Baldanzi	.....	D6/368
D607,654	S	*	1/2010	Fewchuk	.....	D6/374
D607,661	S	*	1/2010	Chadwick	.....	D6/380
D609,037	S	*	2/2010	Miller et al.	.....	D6/500
D648,965	S	*	11/2011	Brodbeck	.....	D6/502
D648,968	S	*	11/2011	Piretti et al.	.....	D6/502
D650,606	S	*	12/2011	Radice et al.	.....	D6/375
D657,152	S	*	4/2012	Lievore et al.	.....	D6/366
D657,583	S	*	4/2012	Wilson et al.	.....	D6/366
D669,277	S	*	10/2012	Saotome	.....	D6/366

\* cited by examiner

*Primary Examiner* — Kelley Donnelly

(74) *Attorney, Agent, or Firm* — Sughrue Mion, PLLC

(57) **CLAIM**

The ornamental design for a chair, as shown and described.

**DESCRIPTION**

FIG. 1 is a perspective view from the front side of a chair according to my new design.  
 FIG. 2 is a perspective view from the rear side thereof.  
 FIG. 3 is a front elevation view thereof.  
 FIG. 4 is a right side elevation view thereof. A left side elevation view is omitted because it is symmetrical to the right side elevation view.  
 FIG. 5 is a top plan view thereof.  
 FIG. 6 is a rear elevation view thereof.  
 FIG. 7 is a bottom plan view thereof; and,  
 FIG. 8 is an enlarged sectional view of Line 8-8 in FIG. 3.  
 The portions of the chair shown in broken lines form no part of he claimed design.

**1 Claim, 8 Drawing Sheets**

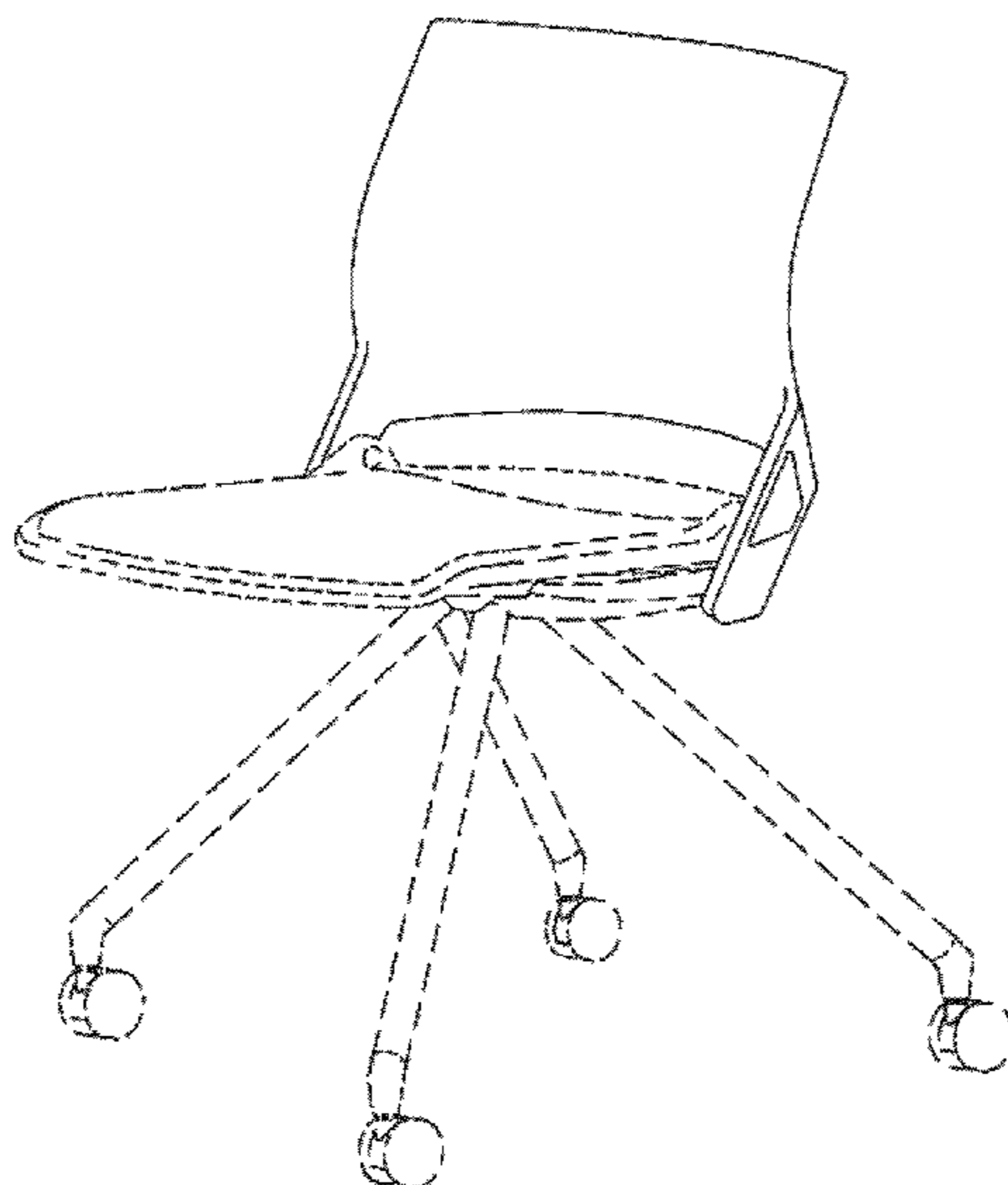


FIG. 1

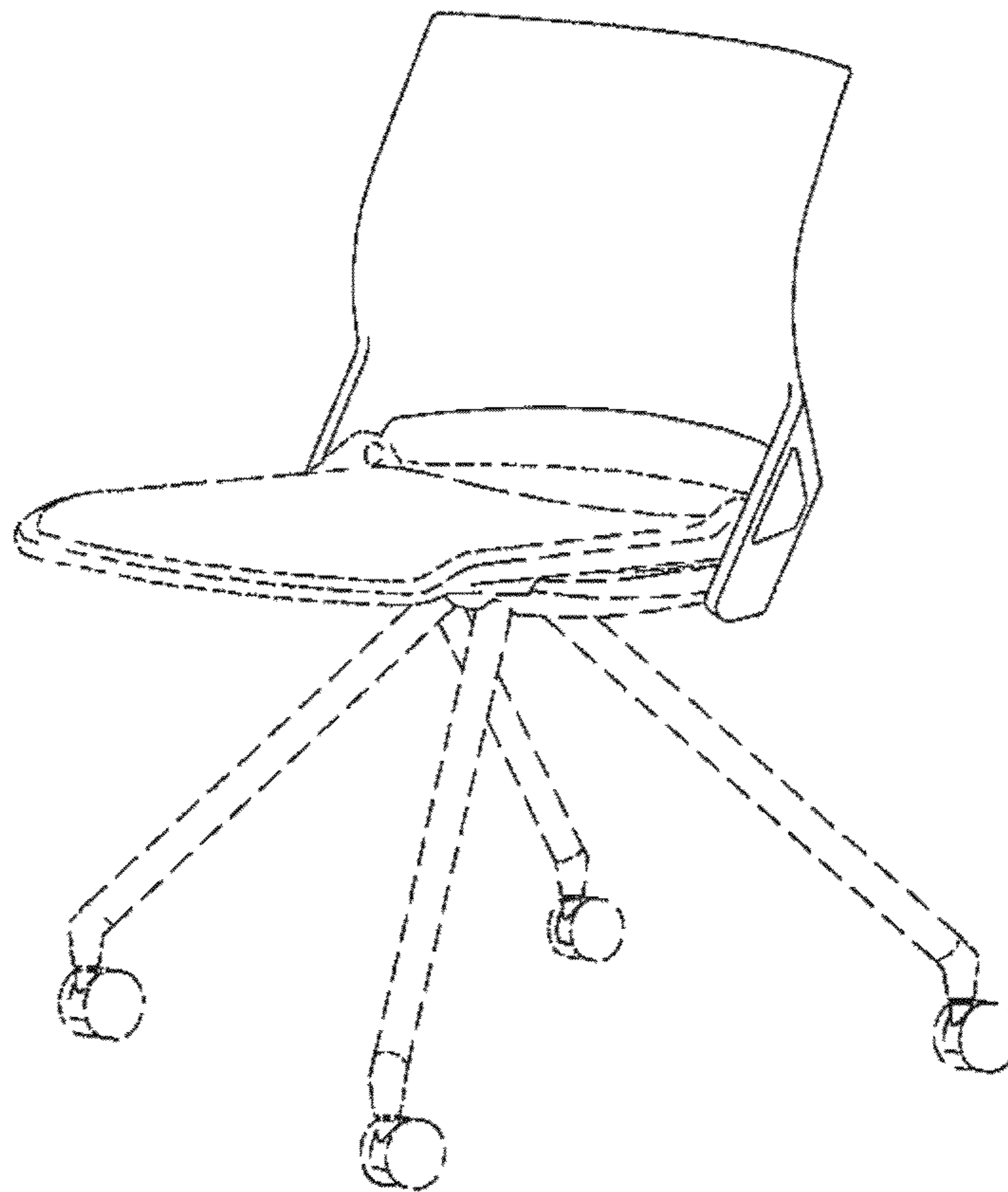


FIG. 2

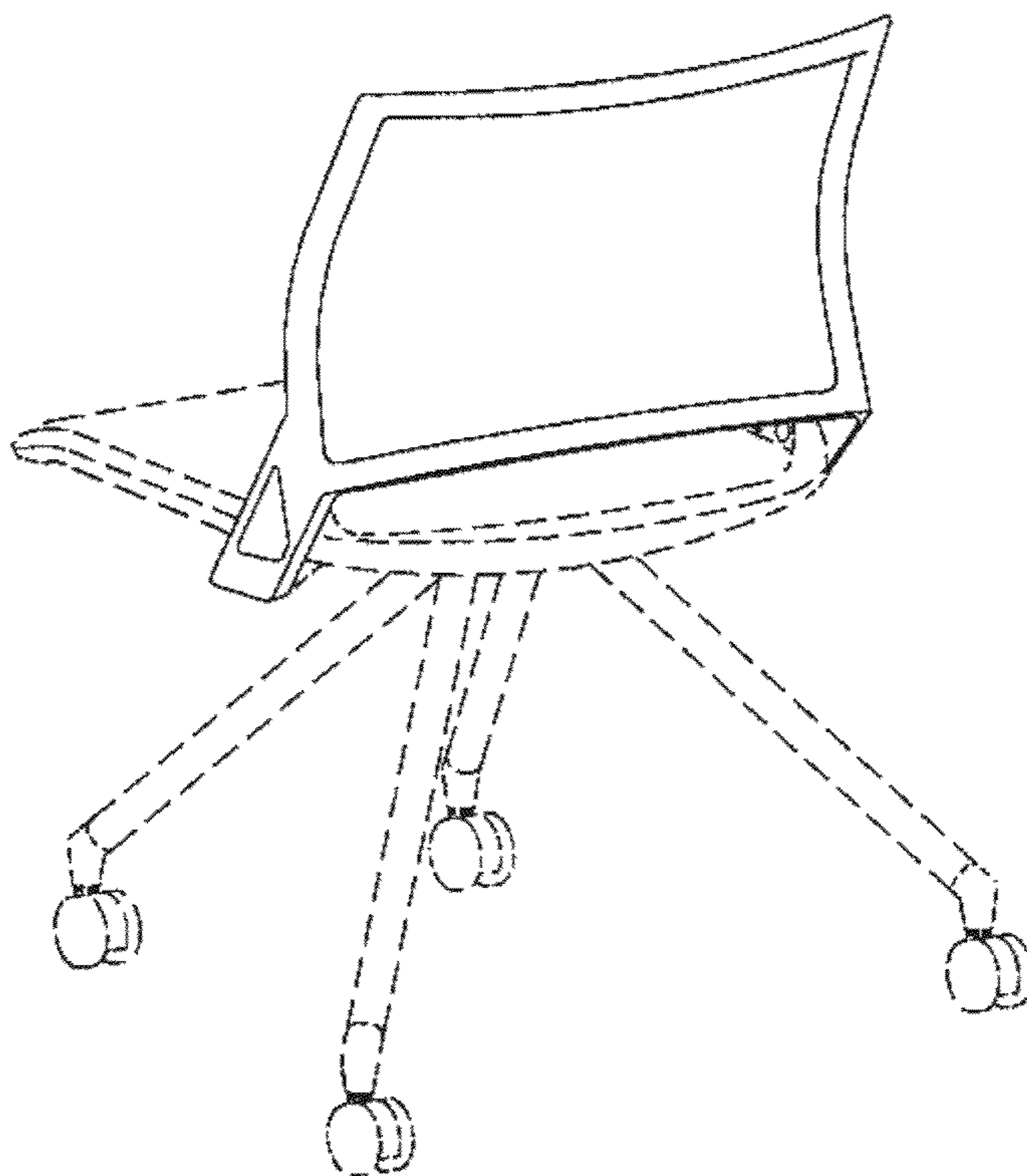


FIG. 3

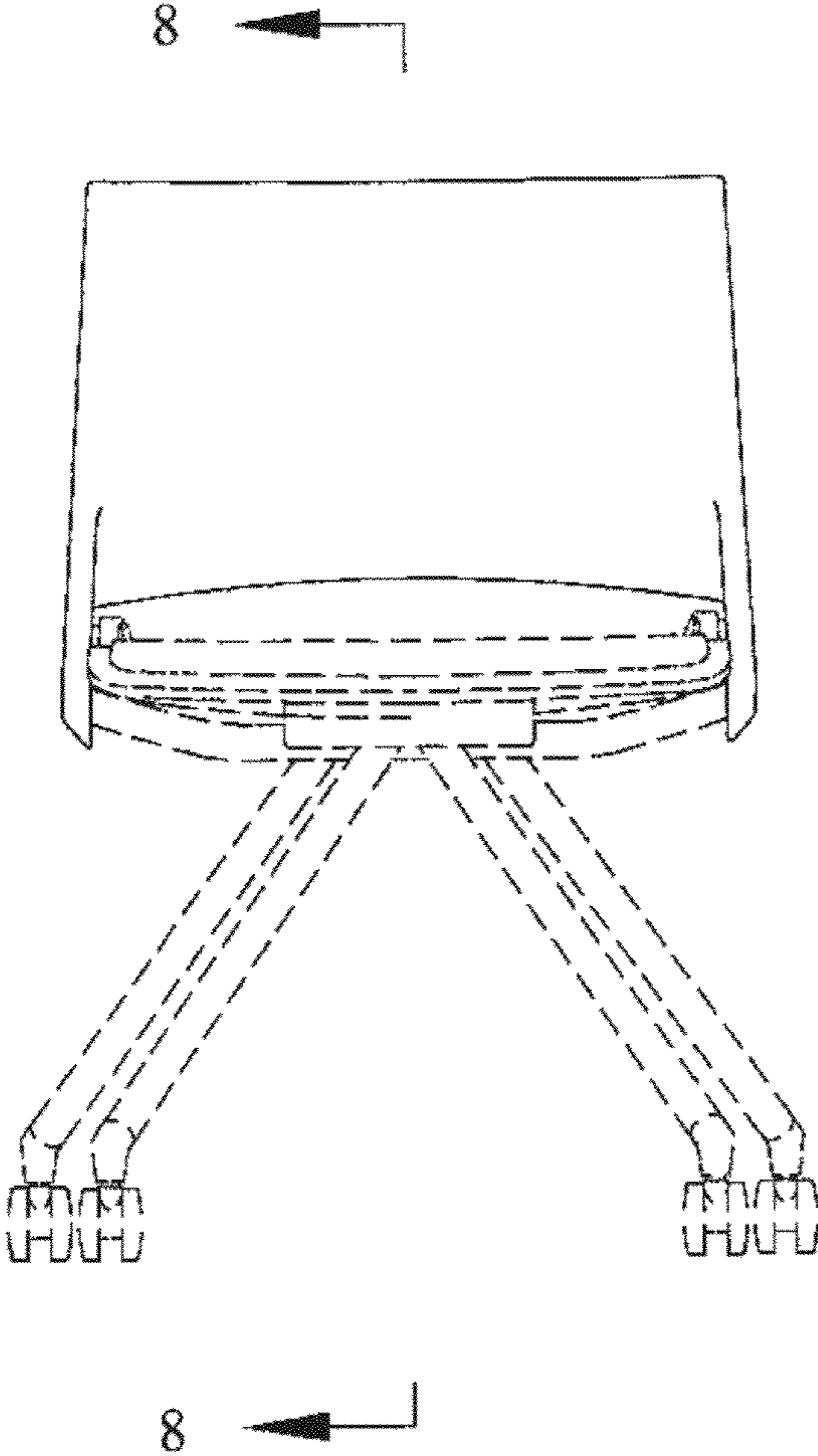


FIG. 4

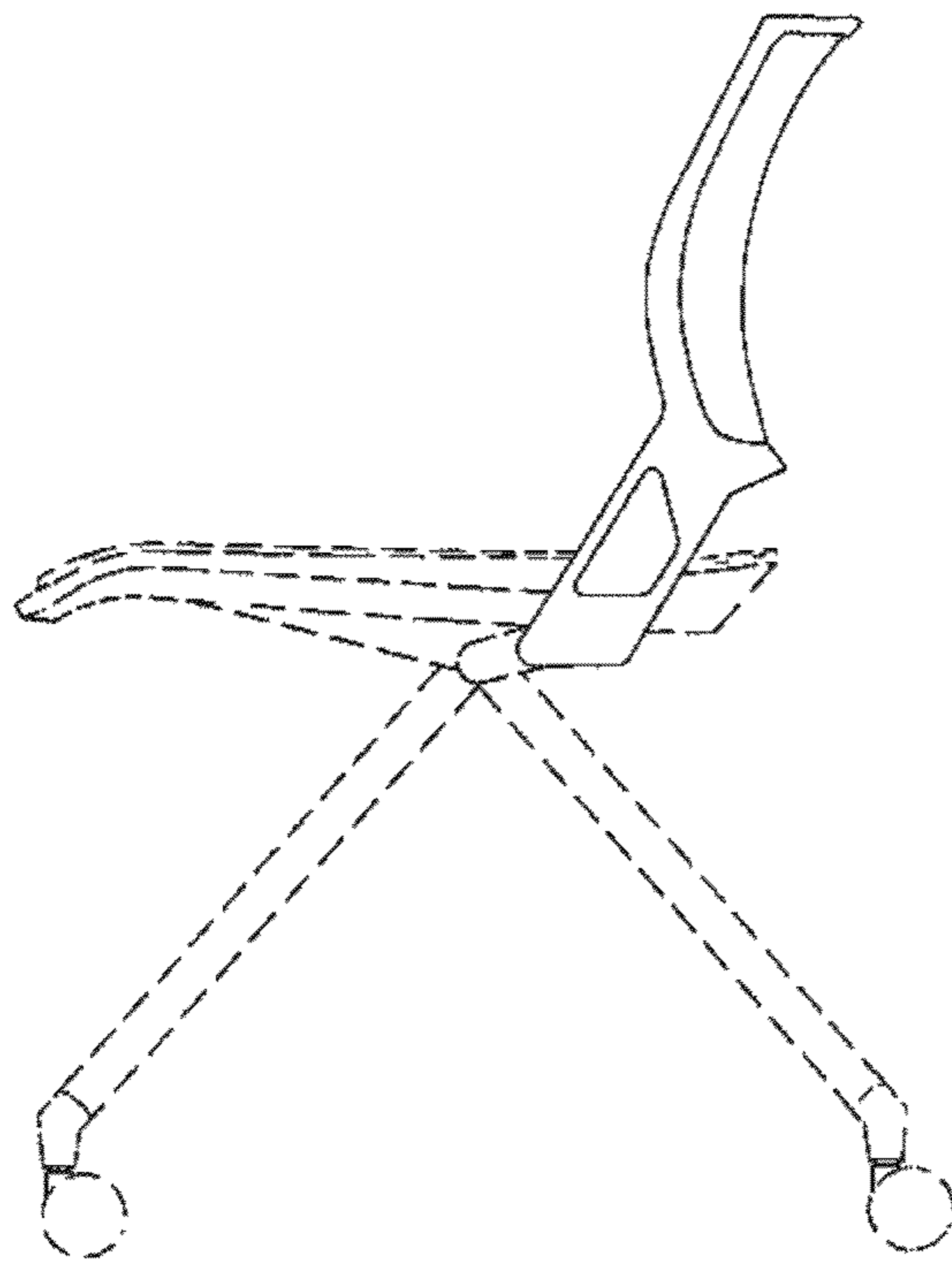


FIG. 5

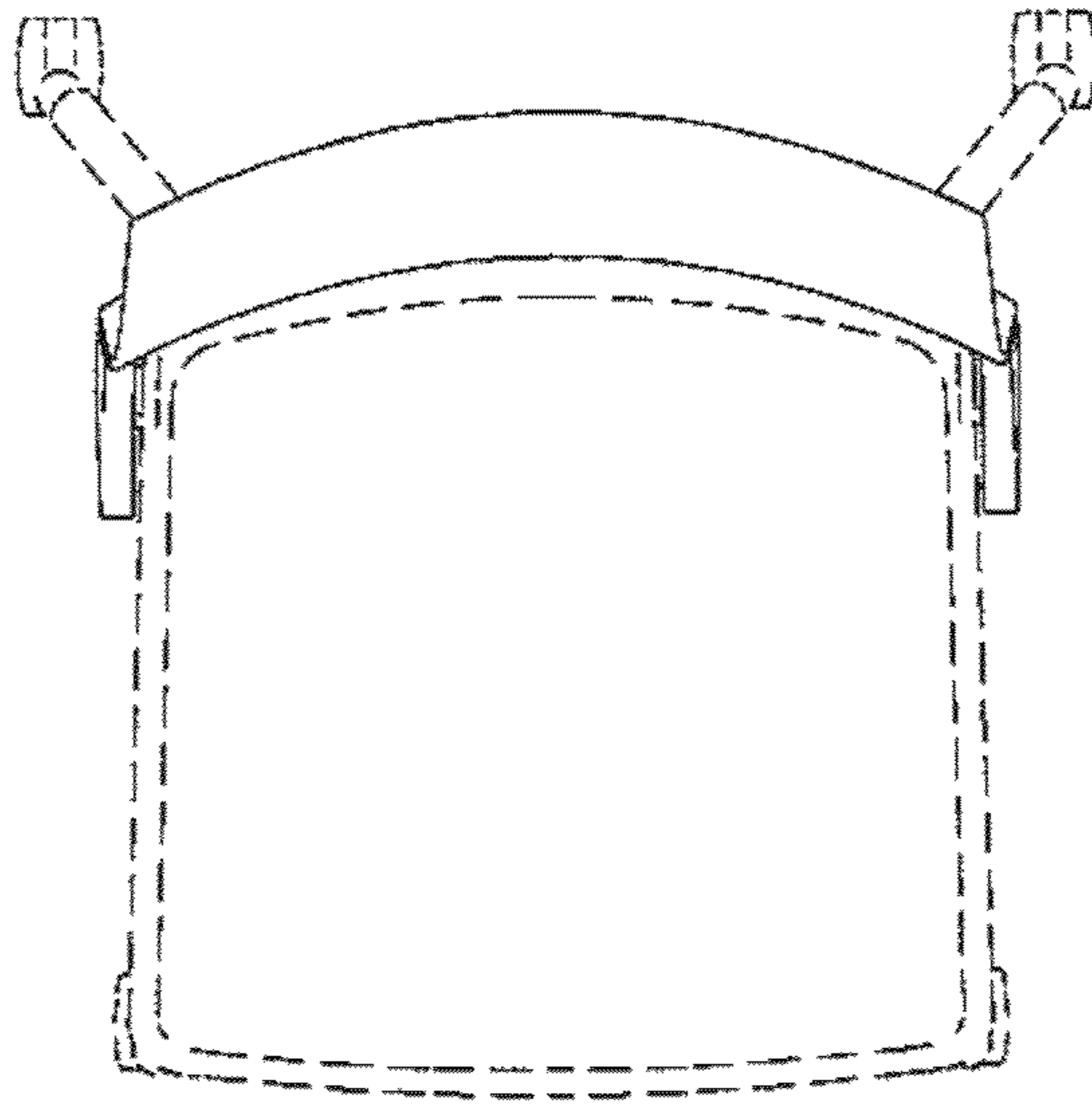


FIG. 6

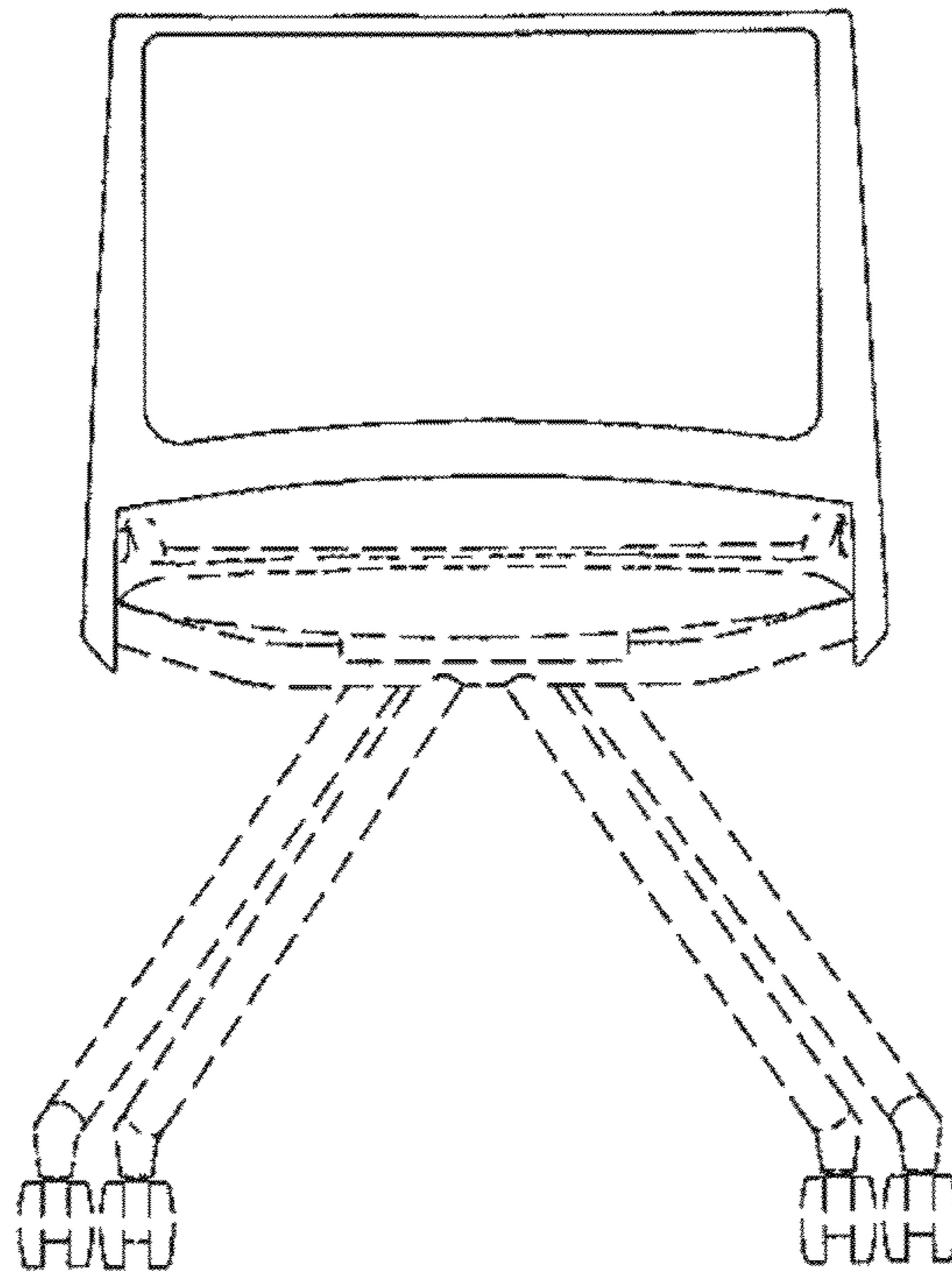


FIG. 7

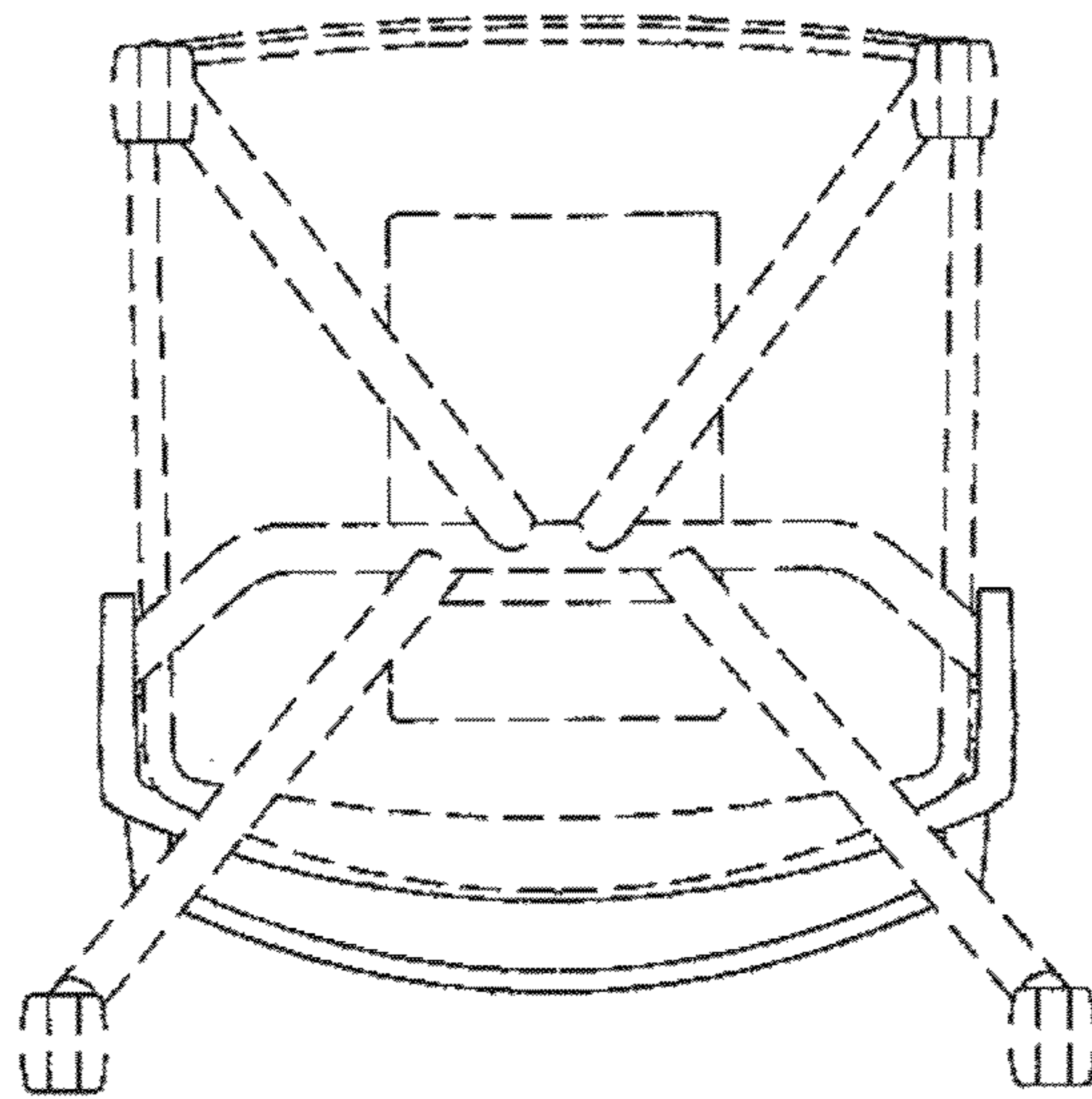




FIG. 8

