



US00D685597S

(12) **United States Design Patent**  
**Zhou**

(10) **Patent No.:** **US D685,597 S**

(45) **Date of Patent:** **\*\* Jul. 9, 2013**

(54) **MESH BACK REST FOR A CHAIR**

D612,623 S \* 3/2010 Smit ..... D6/366  
D612,641 S \* 3/2010 Smit ..... D6/716

(71) Applicant: **Genfu Zhou**, Anji (CN)

\* cited by examiner

(72) Inventor: **Genfu Zhou**, Anji (CN)

*Primary Examiner* — Mimoso De

(73) Assignee: **Zhejiang Baizhijia Furniture Co. Ltd.**,  
Zhejiang Province (CN)

(74) *Attorney, Agent, or Firm* — Patterson & Sheridan,  
L.L.P.

(\*\*) Term: **14 Years**

(57) **CLAIM**

The ornamental design for a mesh back rest for a chair, as shown and described.

(21) Appl. No.: **29/434,807**

**DESCRIPTION**

(22) Filed: **Oct. 17, 2012**

FIG. 1 is a perspective view of a mesh back rest for a chair according to a first embodiment of my new design;

(30) **Foreign Application Priority Data**

Jul. 31, 2012 (CN) ..... 2012 3 0354224

FIG. 2 is a front view of the mesh back rest shown in FIG. 1;

(51) **LOC (9) Cl.** ..... **06-01**

FIG. 3 is a rear view of the mesh back rest shown in FIG. 1;

(52) **U.S. Cl.**

USPC ..... **D6/716.4**; D6/366

FIG. 4 is a top side view of the mesh back rest shown in FIG. 1;

(58) **Field of Classification Search**

USPC ..... D6/334–336, 364, 365, 366, 369,  
D6/374, 379, 380, 716, 716.1, 716.2, 716.3,  
D6/716.4; 297/284.4, 284.7, 452.13, 452.29,  
297/452.3, 452.46, 452.56, 452.64

FIG. 5 is a bottom side view of the mesh back rest shown in FIG. 1;

See application file for complete search history.

FIG. 6 is a right view of the mesh back rest shown in FIG. 1;

(56) **References Cited**

**U.S. PATENT DOCUMENTS**

D542,547 S \* 5/2007 Su ..... D6/366  
D549,475 S \* 8/2007 Su ..... D6/366

FIG. 7 is a left view of the mesh back rest shown in FIG. 1;

FIG. 8 is a perspective view of a mesh back rest for a chair according to a second embodiment of my new design;

FIG. 9 is a front view of the mesh back rest shown in FIG. 8;

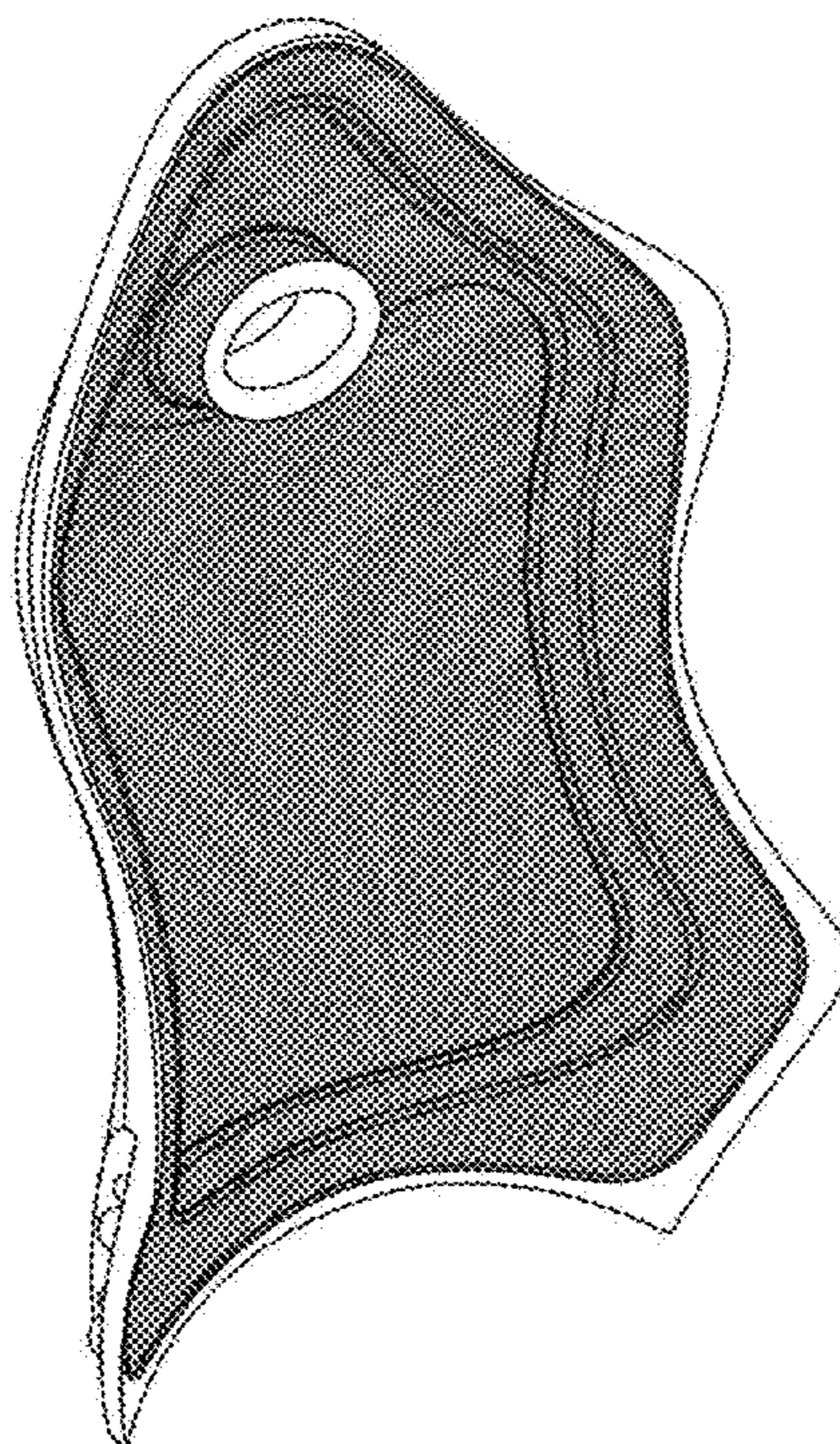
FIG. 10 is a rear view of the mesh back rest shown in FIG. 8;

FIG. 11 is a top side view of the mesh back rest shown in FIG. 8;

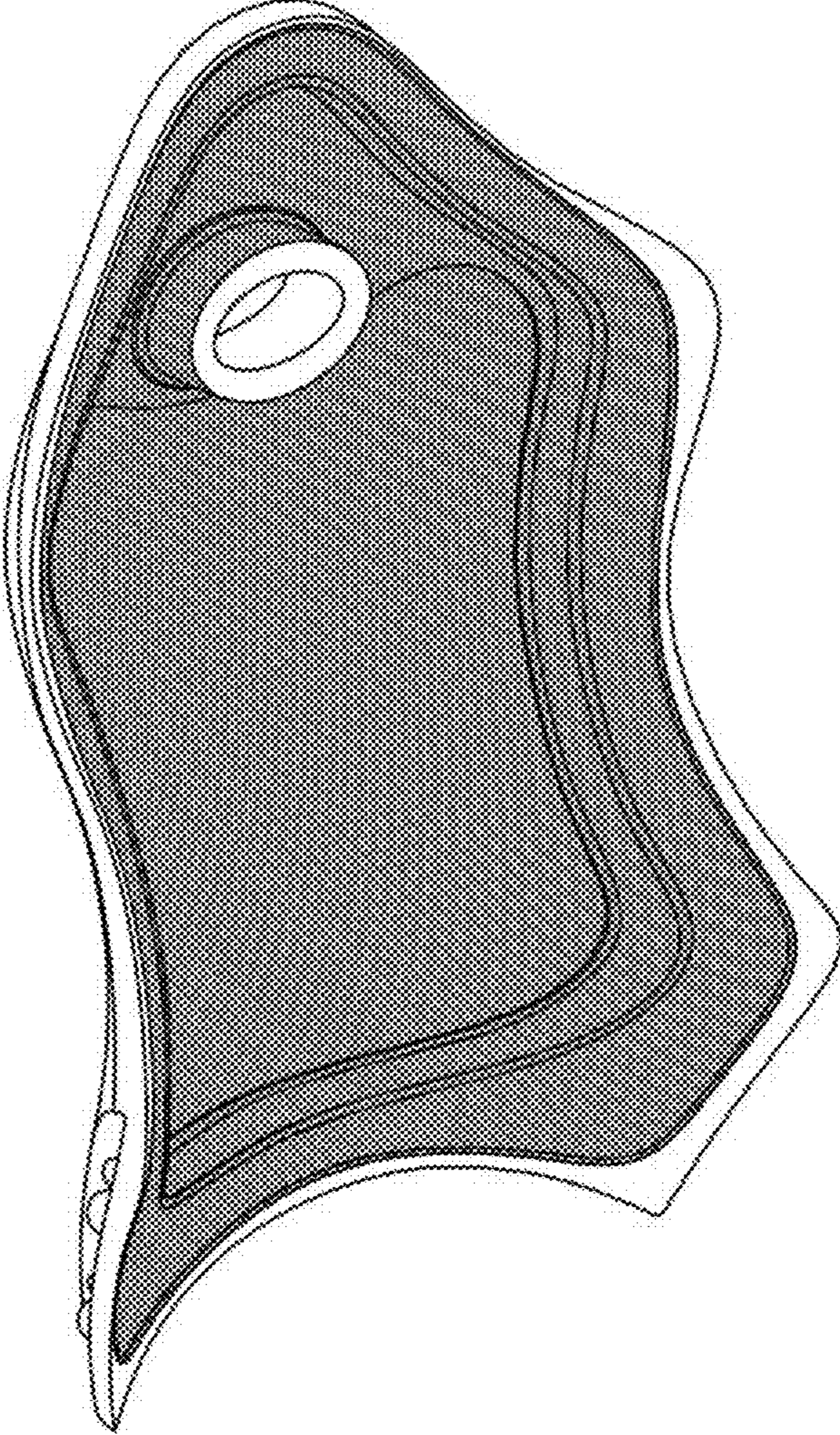
FIG. 12 is a bottom side view of the mesh back rest shown in FIG. 8;

FIG. 13 is a right view of the mesh back rest shown in FIG. 8;  
and,  
FIG. 14 is a left view of the mesh back rest shown in FIG. 8.

**1 Claim, 14 Drawing Sheets**

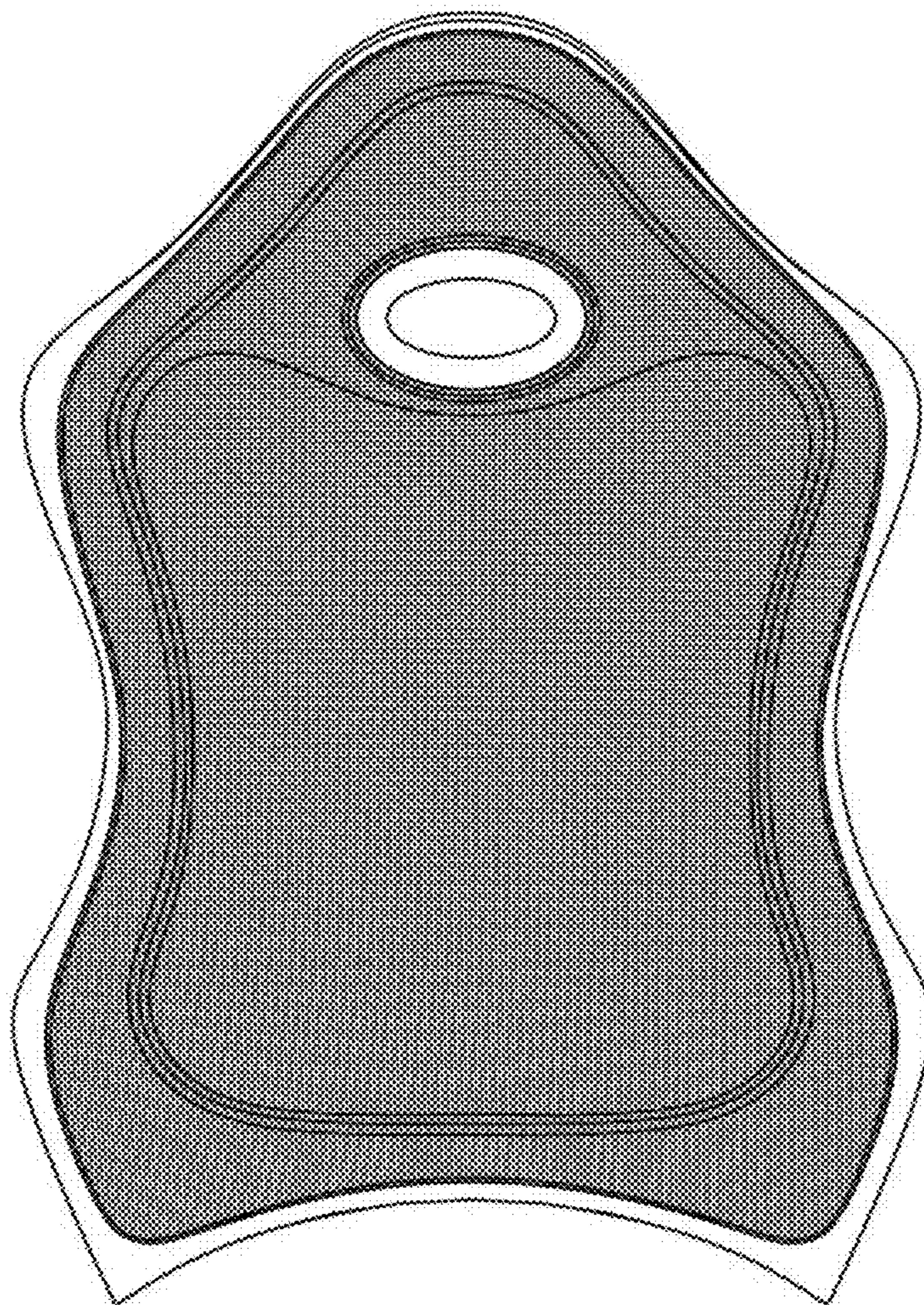






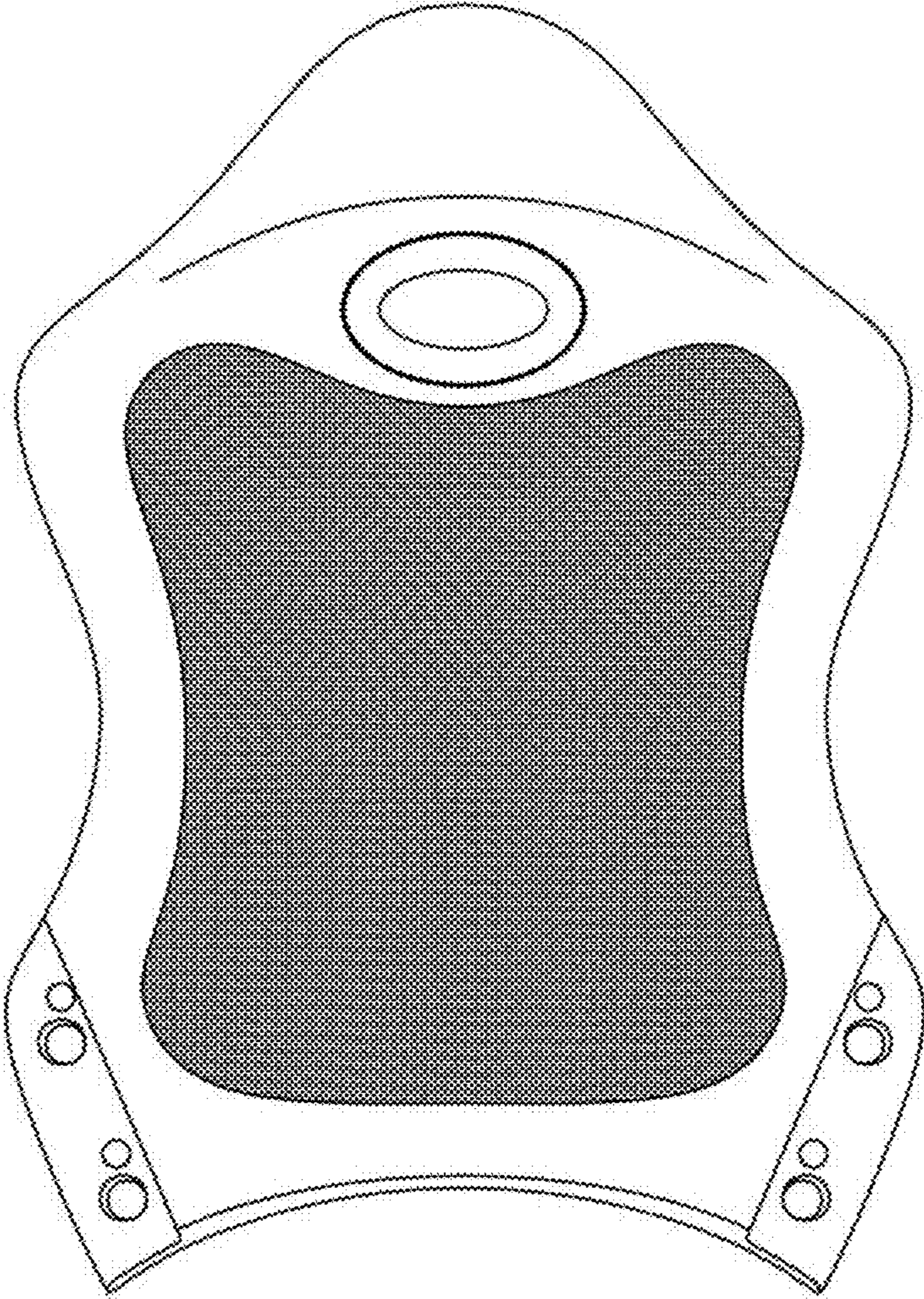
**FIG. 1**



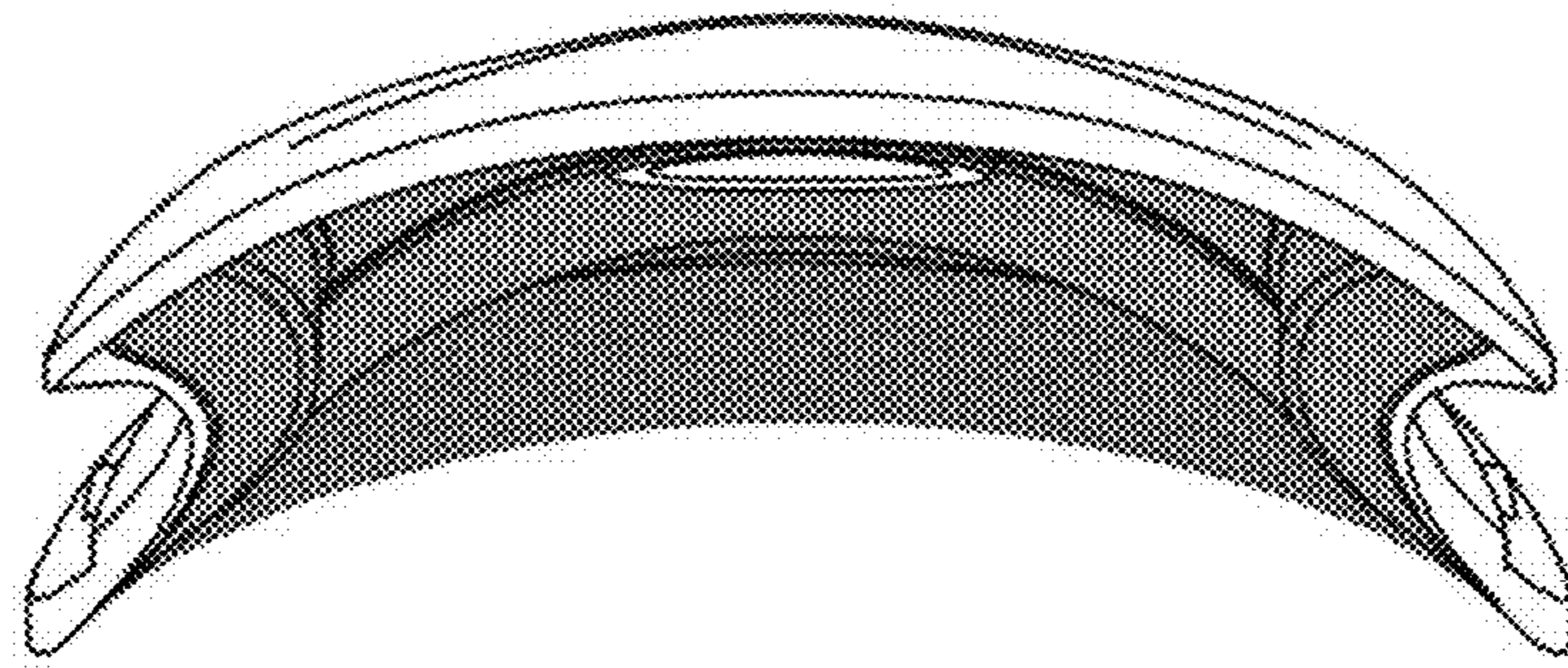


**FIG. 2**

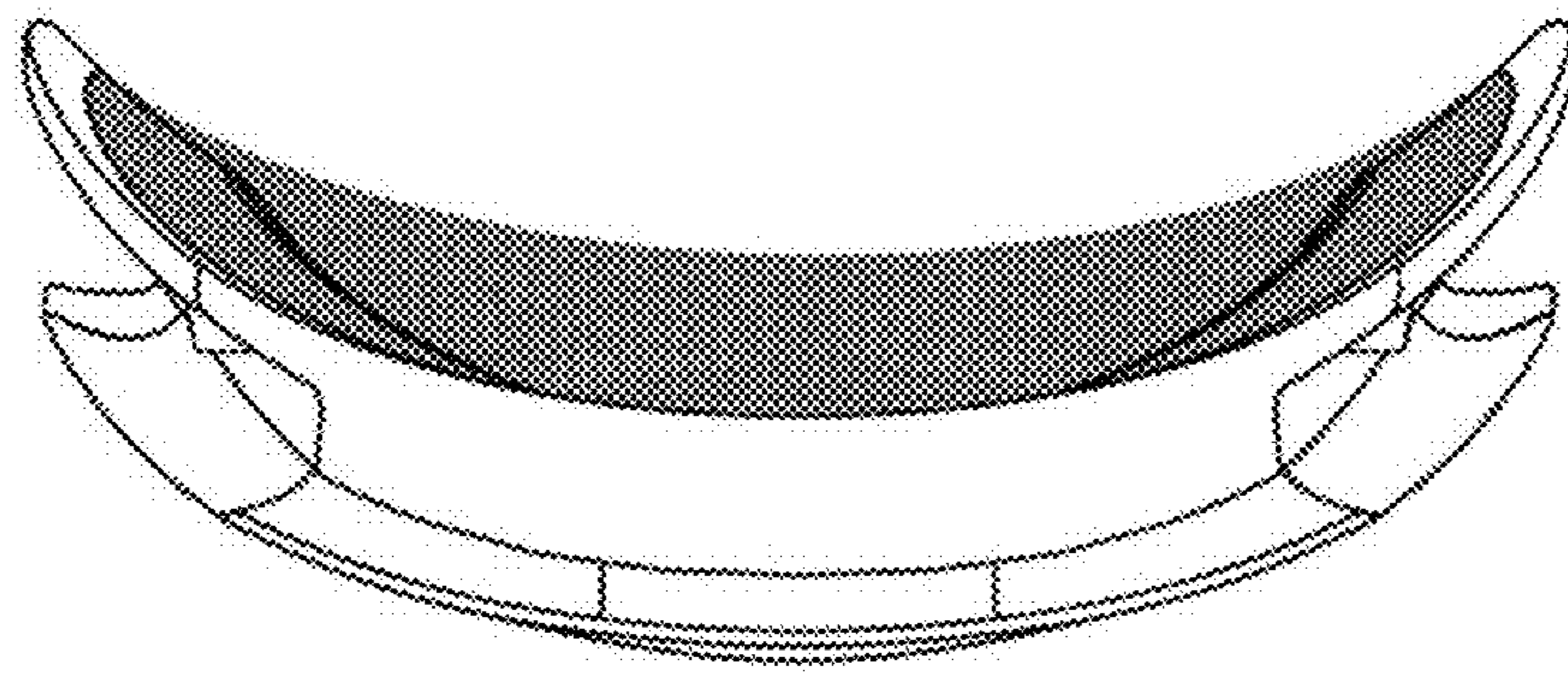




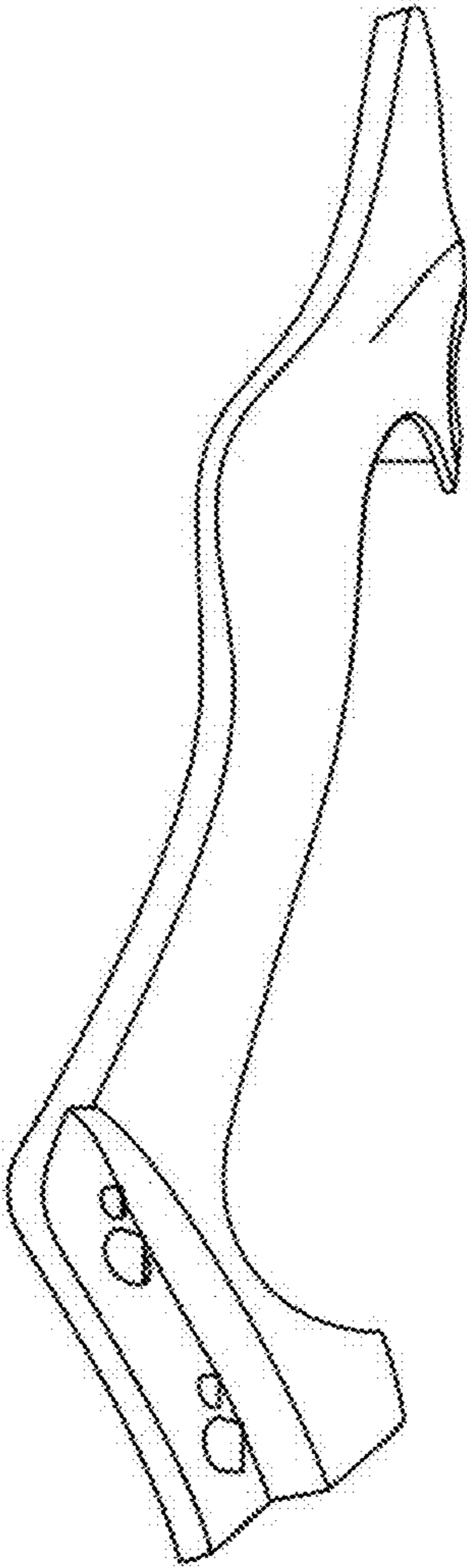
**FIG. 3**



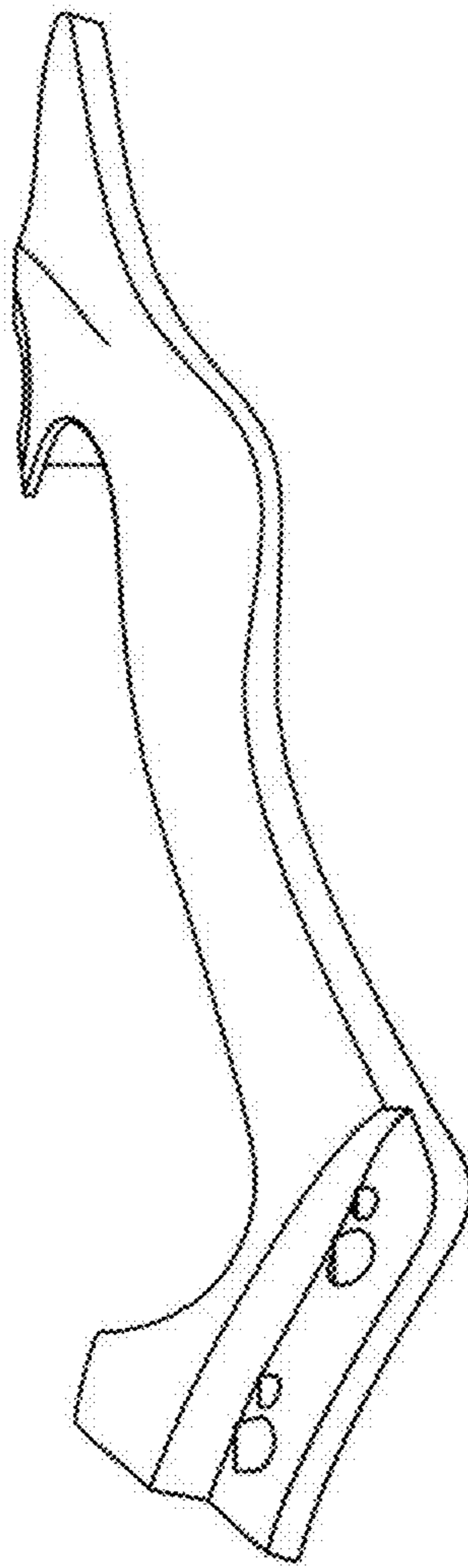
**FIG. 4**



**FIG. 5**



**FIG. 6**



**FIG. 7**



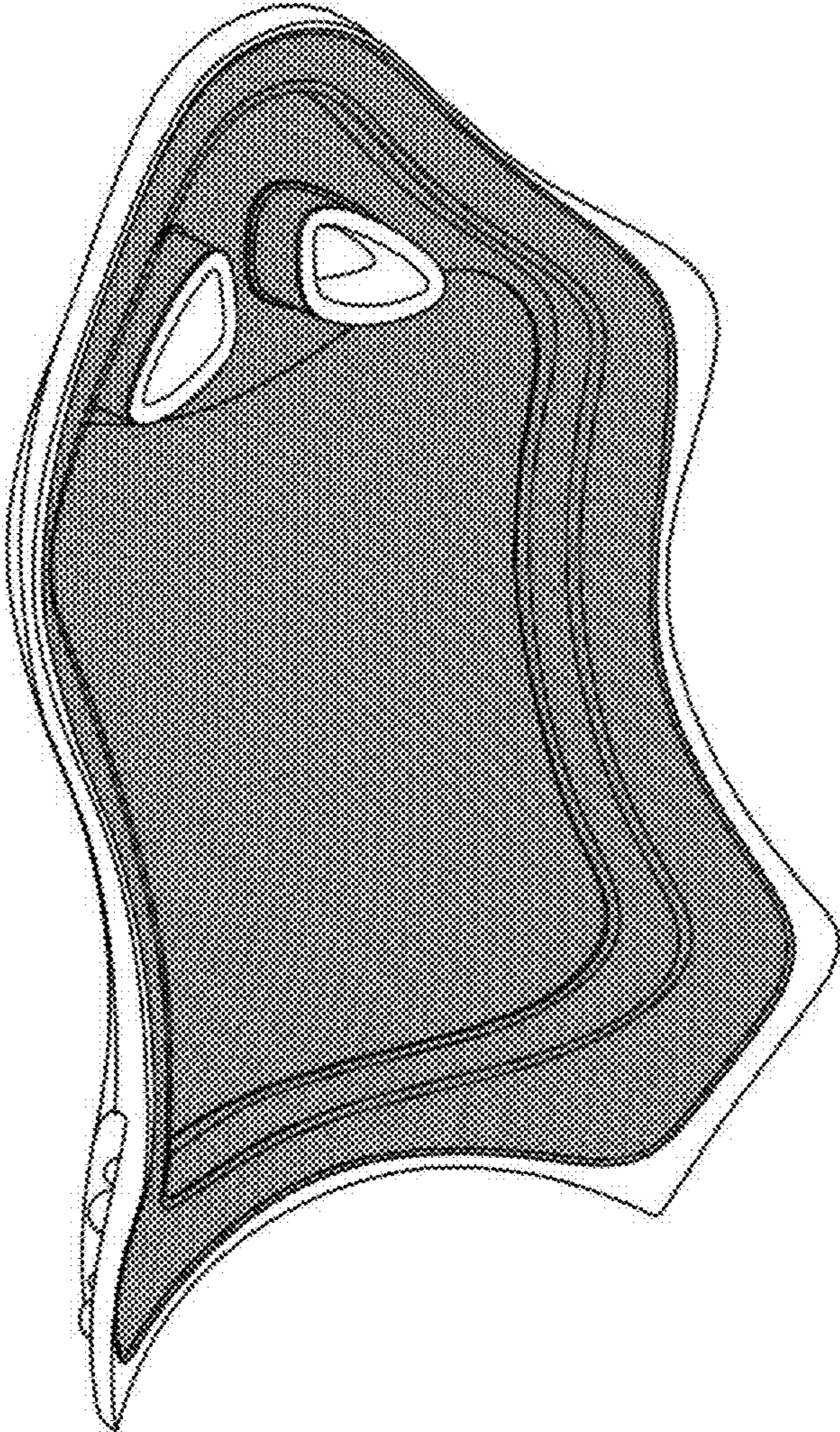
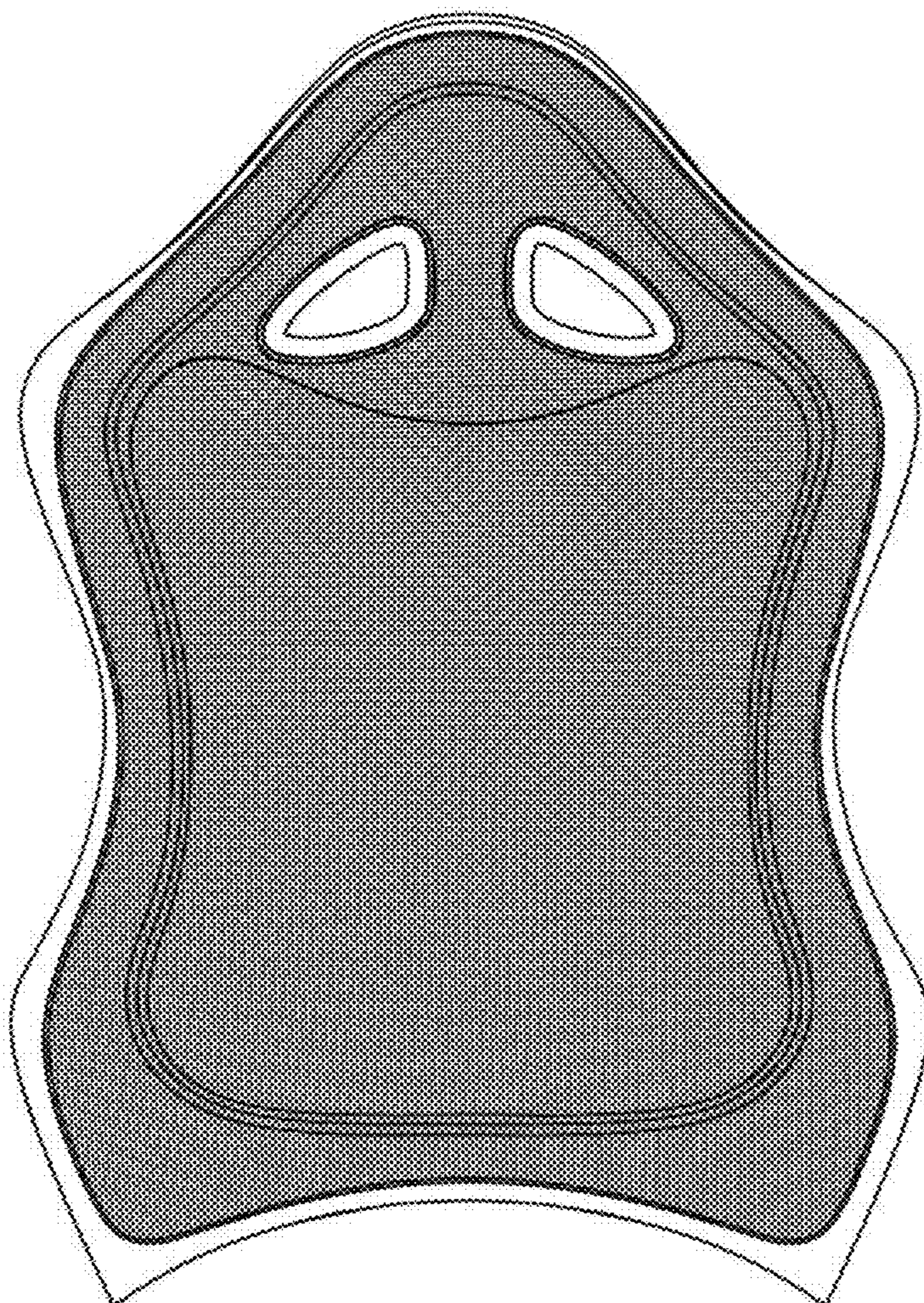


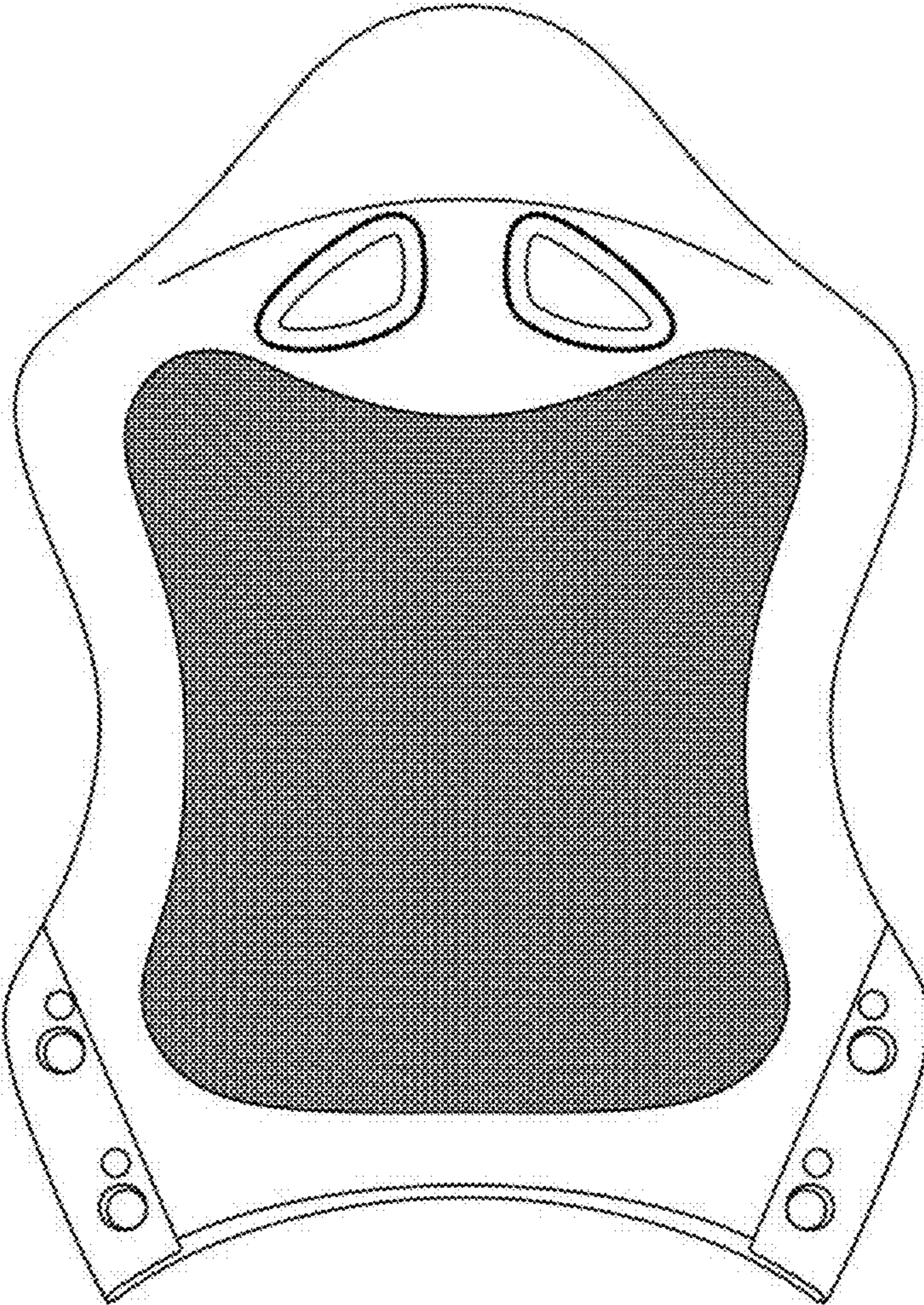
FIG. 8



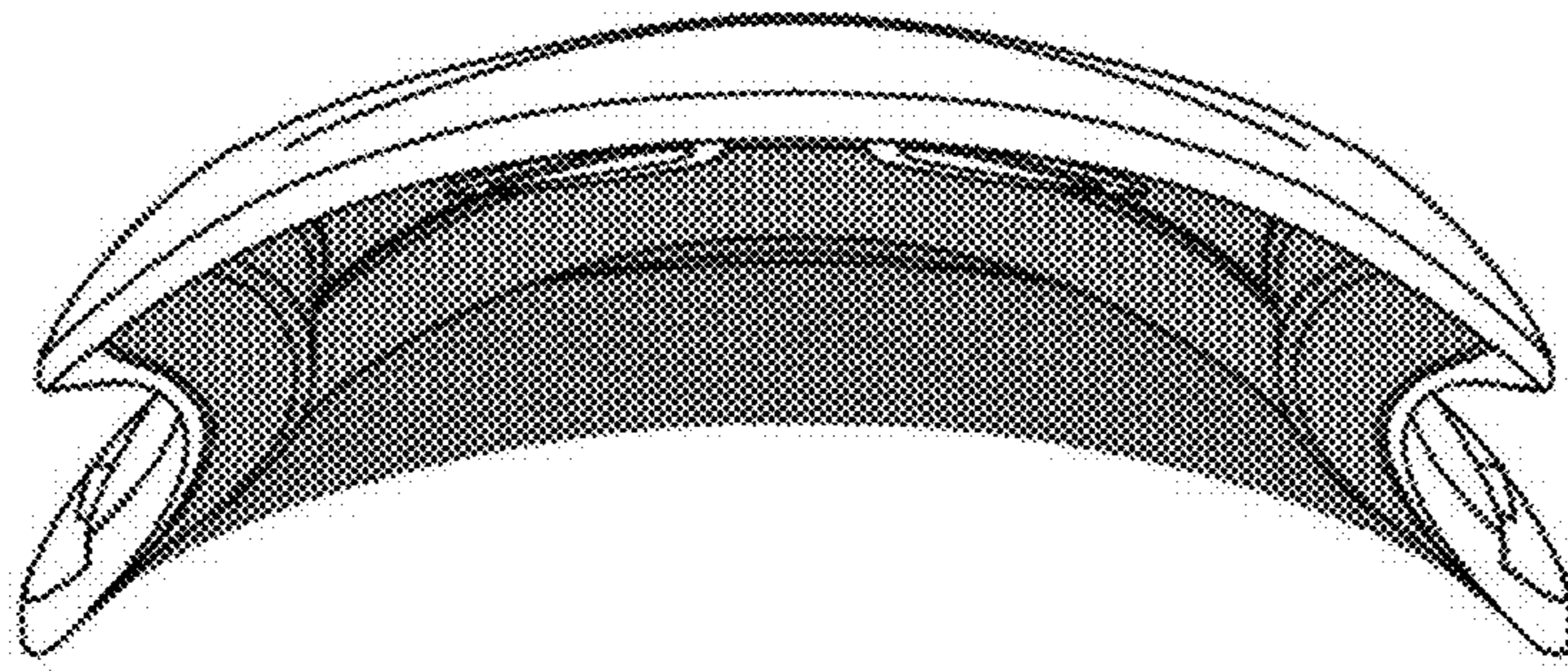


**FIG. 9**



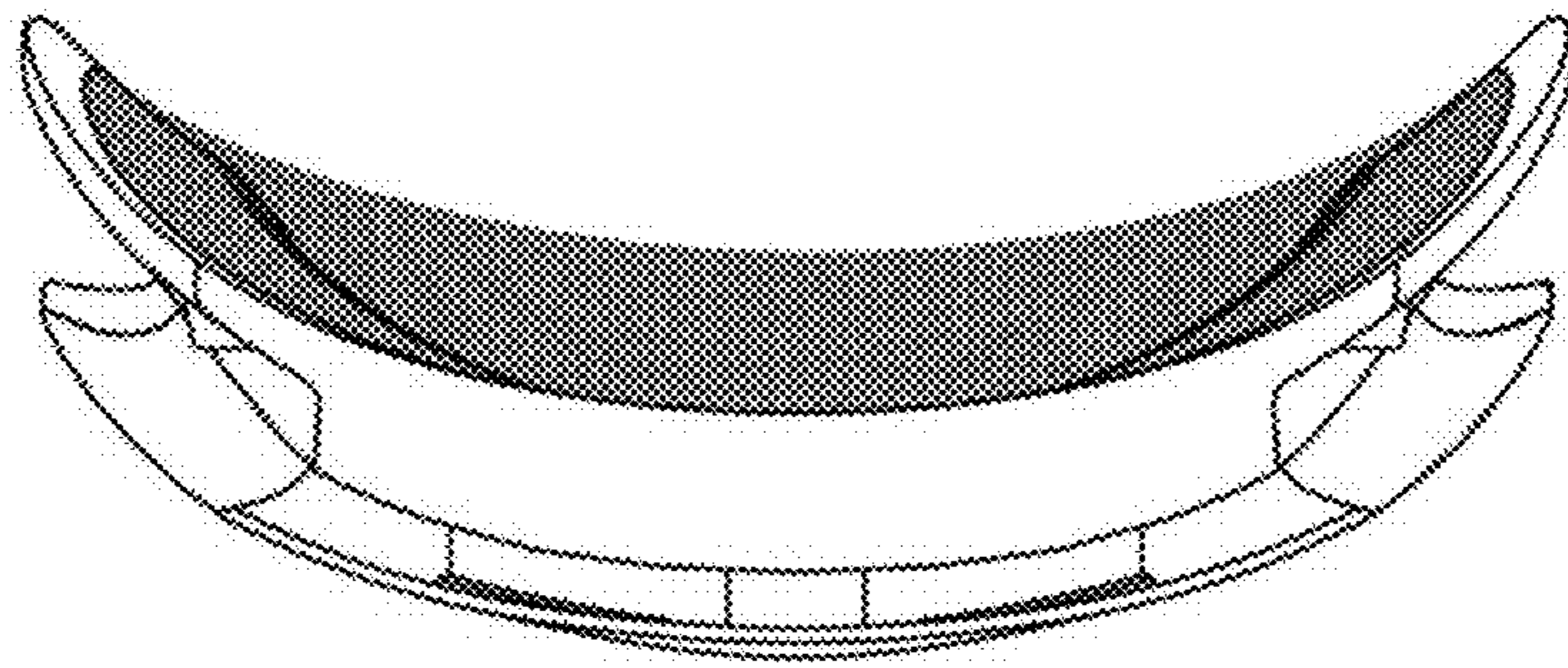


**FIG. 10**

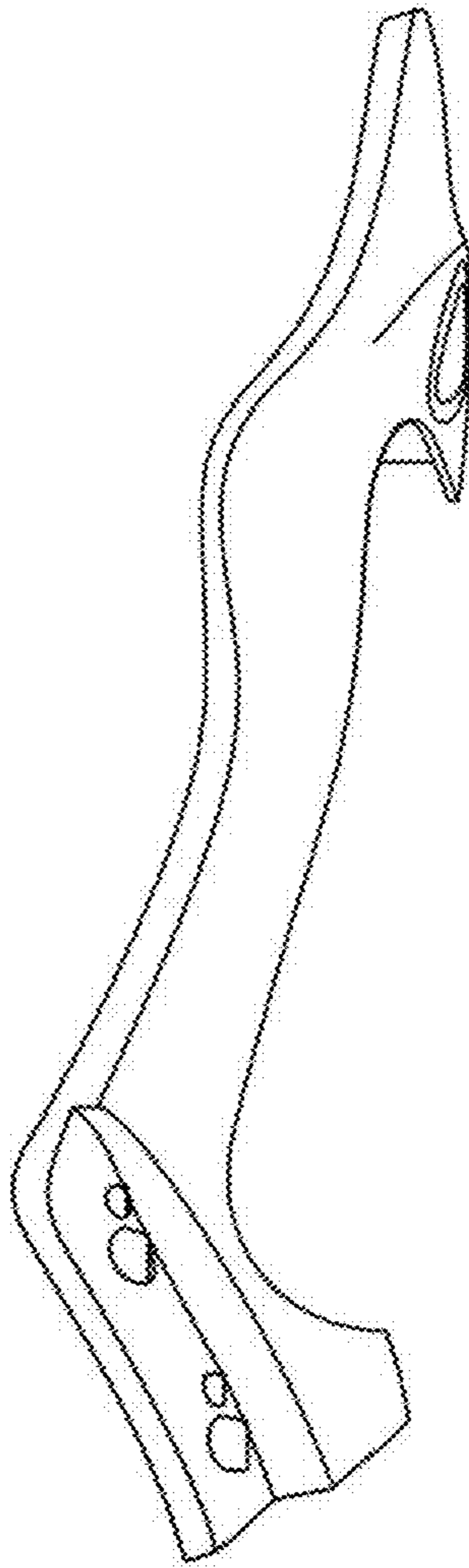


**FIG. 11**



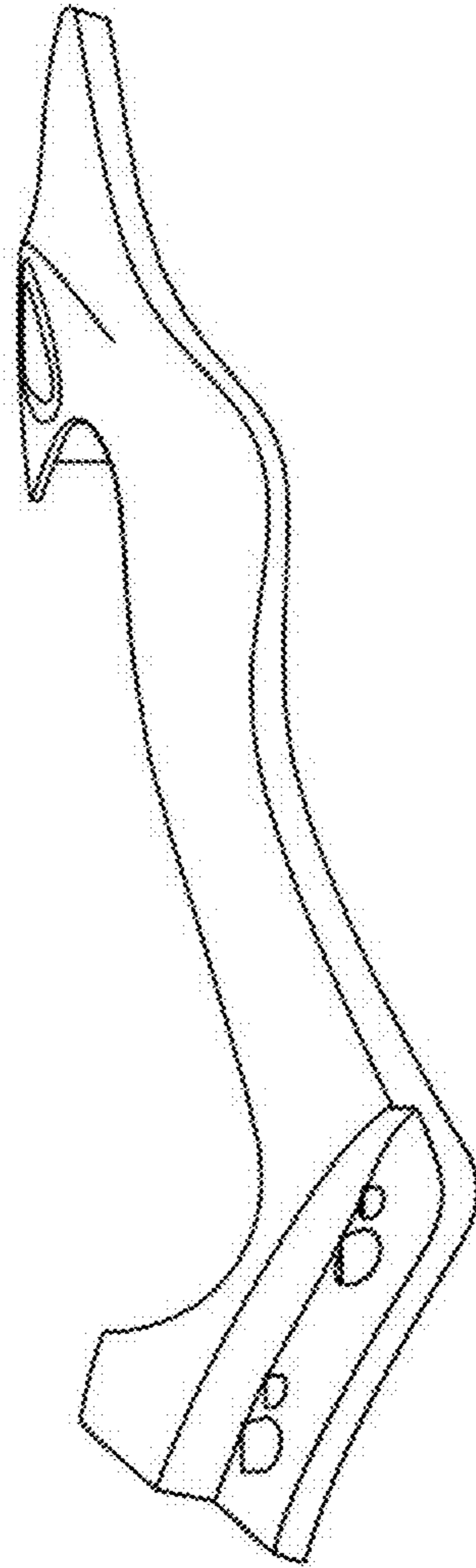


**FIG. 12**



**FIG. 13**





**FIG. 14**