



US00D685595S

(12) **United States Design Patent**
Hendrick et al.

(10) **Patent No.:** **US D685,595 S**
(45) **Date of Patent:** **** Jul. 9, 2013**

(54) **TABLE**

(76) Inventors: **Robert Hendrick**, Nashville, TN (US);
Jim Hendrick, Nashville, TN (US)

(**) Term: **14 Years**

(21) Appl. No.: **29/414,788**

(22) Filed: **Mar. 2, 2012**

(51) **LOC (9) Cl.** **06-03**

(52) **U.S. Cl.**
USPC **D6/691**

(58) **Field of Classification Search**
USPC D6/480-489, 495-499, 442; 108/153.1,
108/155, 156, 157.1, 161; 248/188, 188.1,
248/188.8
See application file for complete search history.

(56) **References Cited**

U.S. PATENT DOCUMENTS

D141,857 S * 7/1945 Eisen D6/485
4,321,875 A * 3/1982 Danko D6/480

D302,771 S * 8/1989 Kubryk D6/480
D313,908 S * 1/1991 Kubryk D6/480
D469,635 S * 2/2003 Hirsch D6/480

* cited by examiner

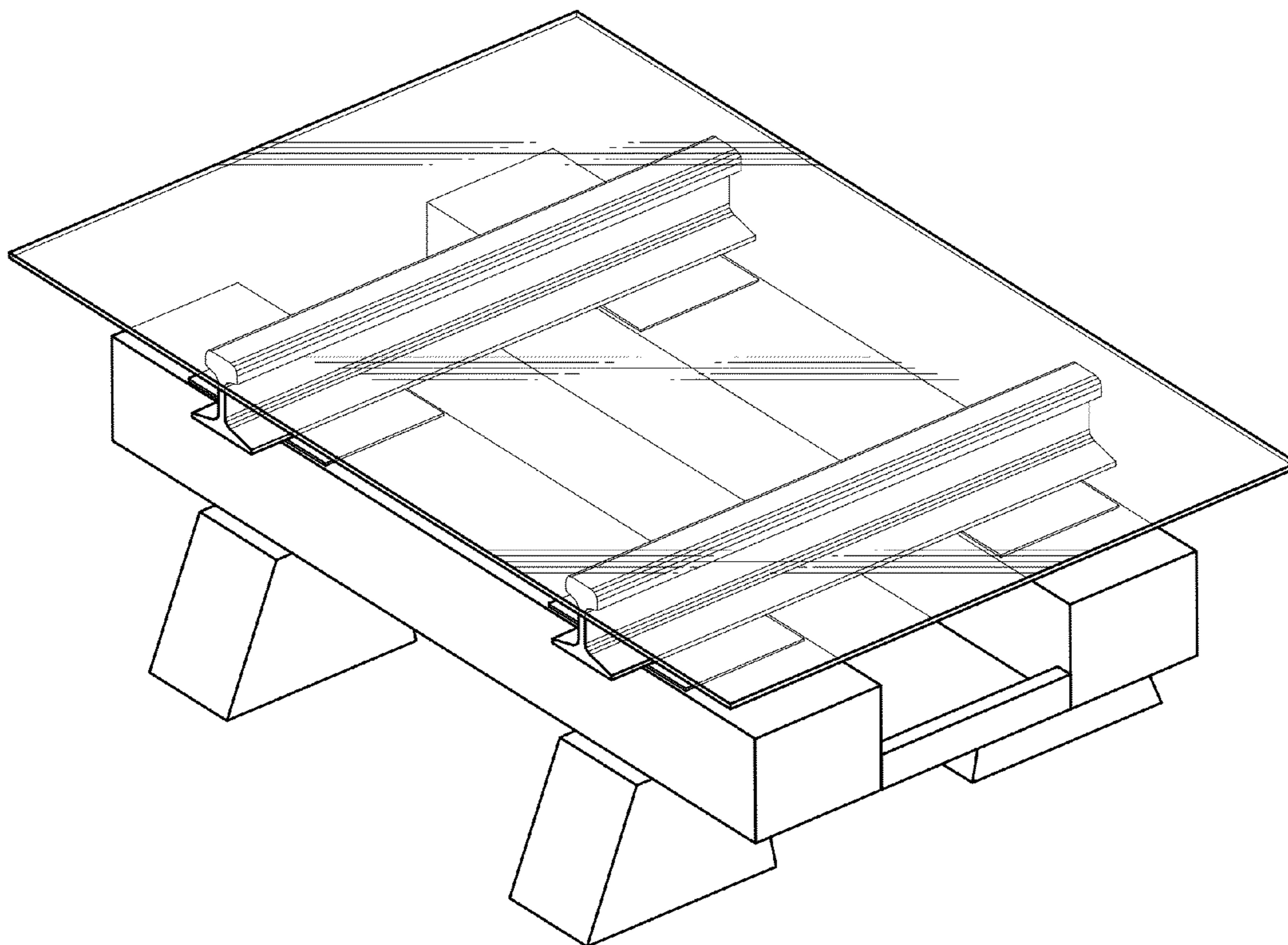
Primary Examiner — Janice Seeger
(74) *Attorney, Agent, or Firm* — Waddey & Patterson, PC;
Matthew C. Cox

(57) **CLAIM**
What is claimed is the ornamental design for a table, as shown
and described.

DESCRIPTION

FIG. 1 is a top perspective view showing the table of Applicant's invention.
FIG. 2 is a bottom perspective view showing the table of Applicant's invention.
FIG. 3 is a right side elevation view showing the table of Applicant's invention, both sides being identical.
FIG. 4 is a front elevation view showing the table of Applicant's invention, both sides being identical; and,
FIG. 5 is a top view showing the table of Applicant's invention.

1 Claim, 5 Drawing Sheets



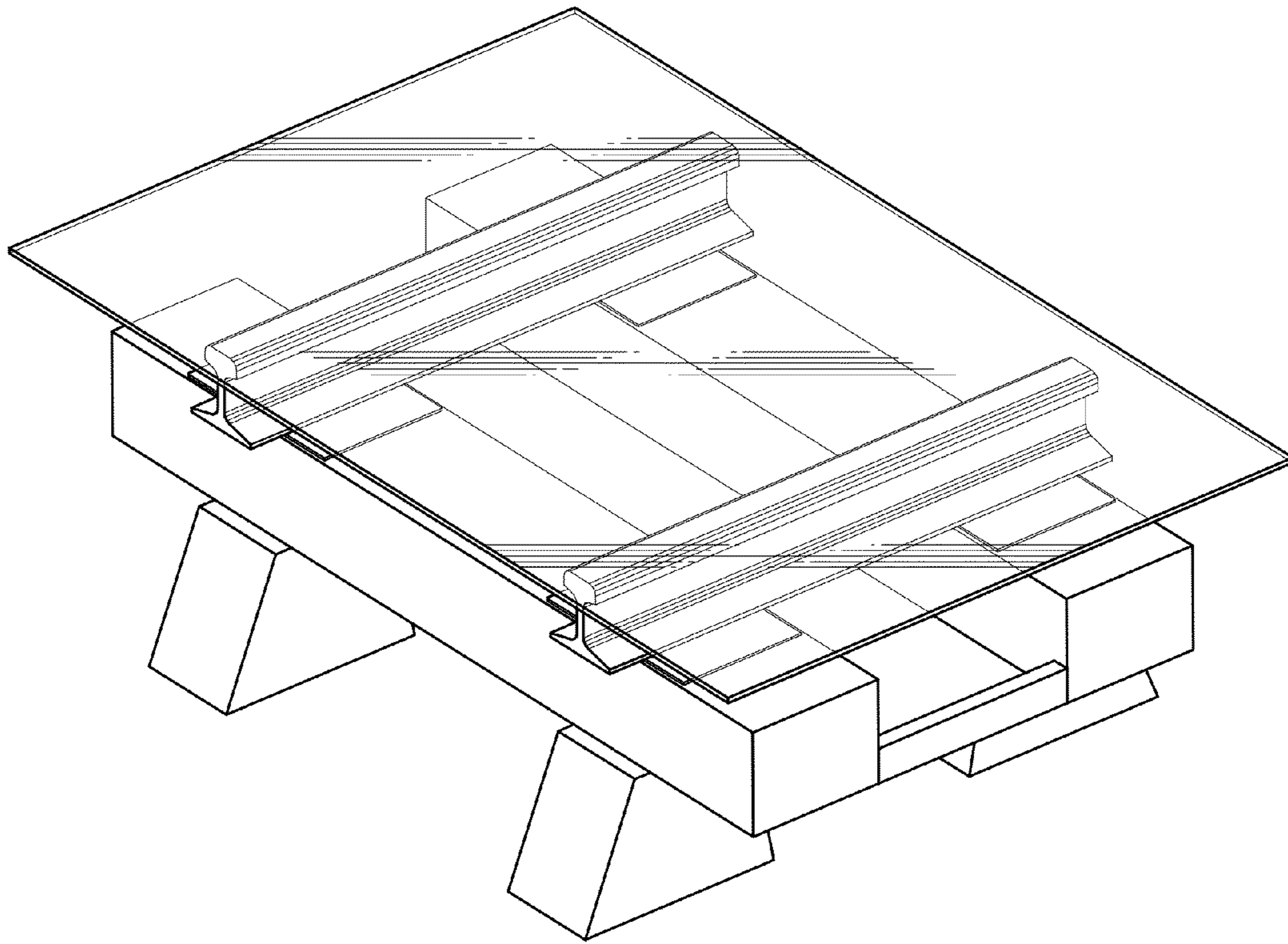


FIG. 1

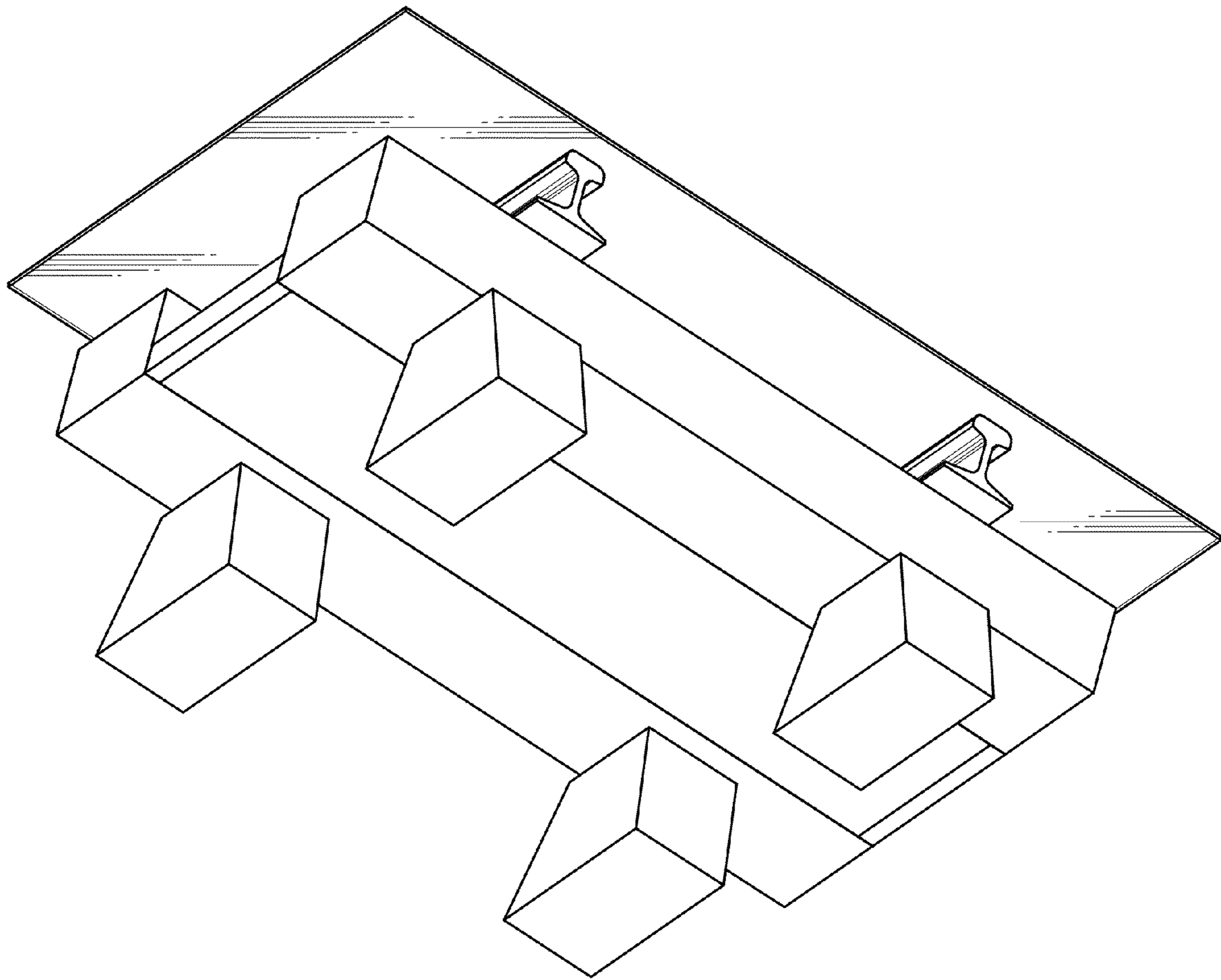


FIG. 2

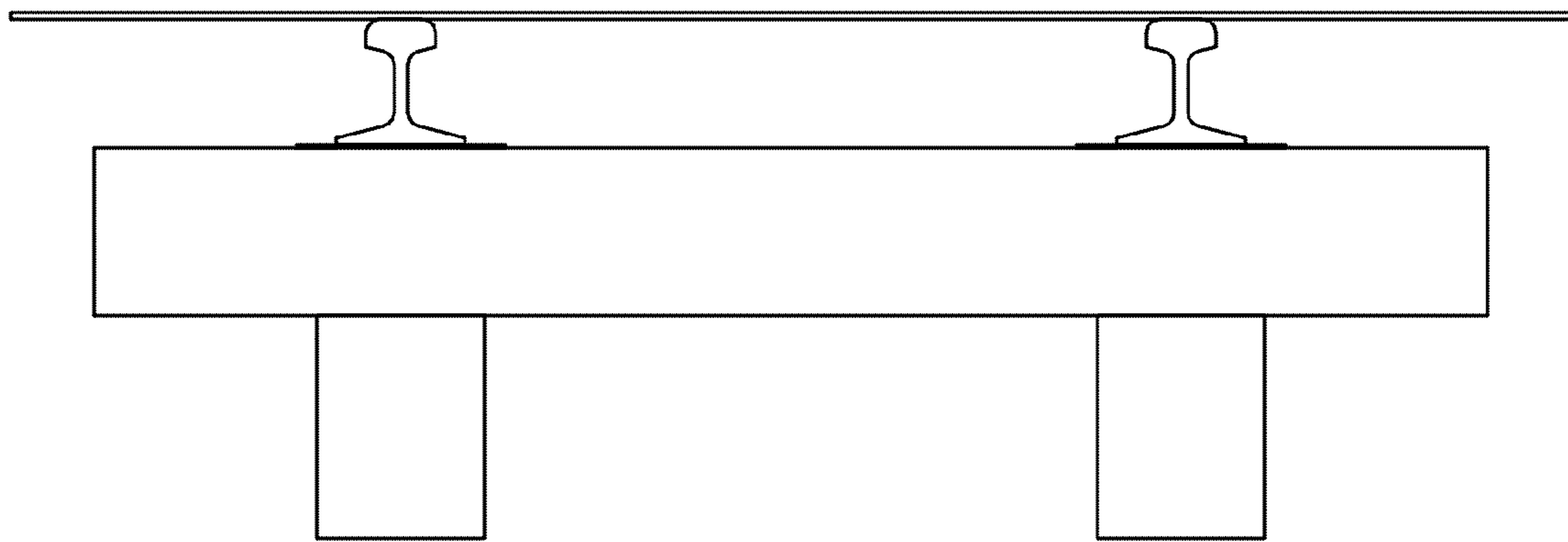


FIG. 3

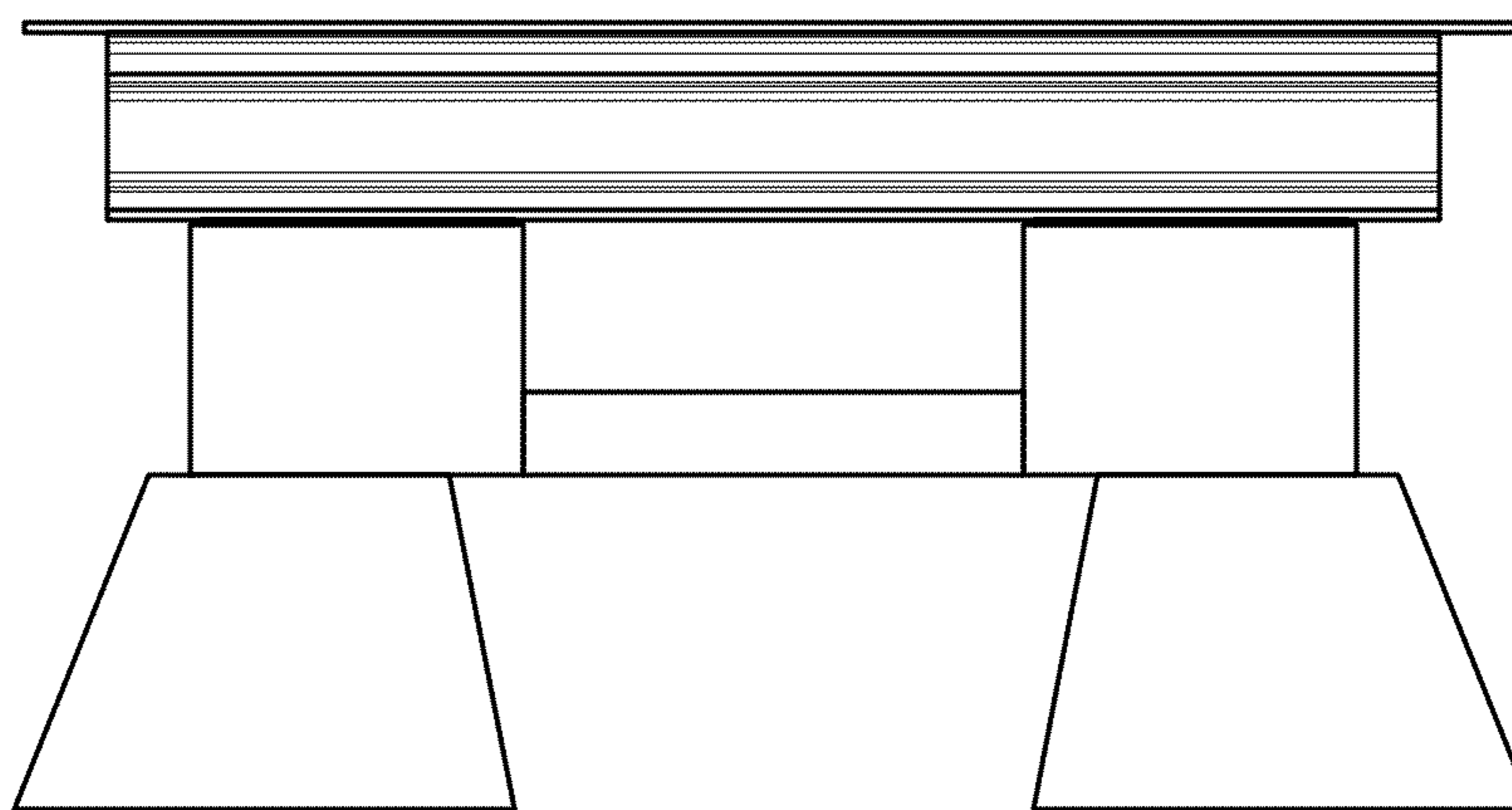


FIG. 4

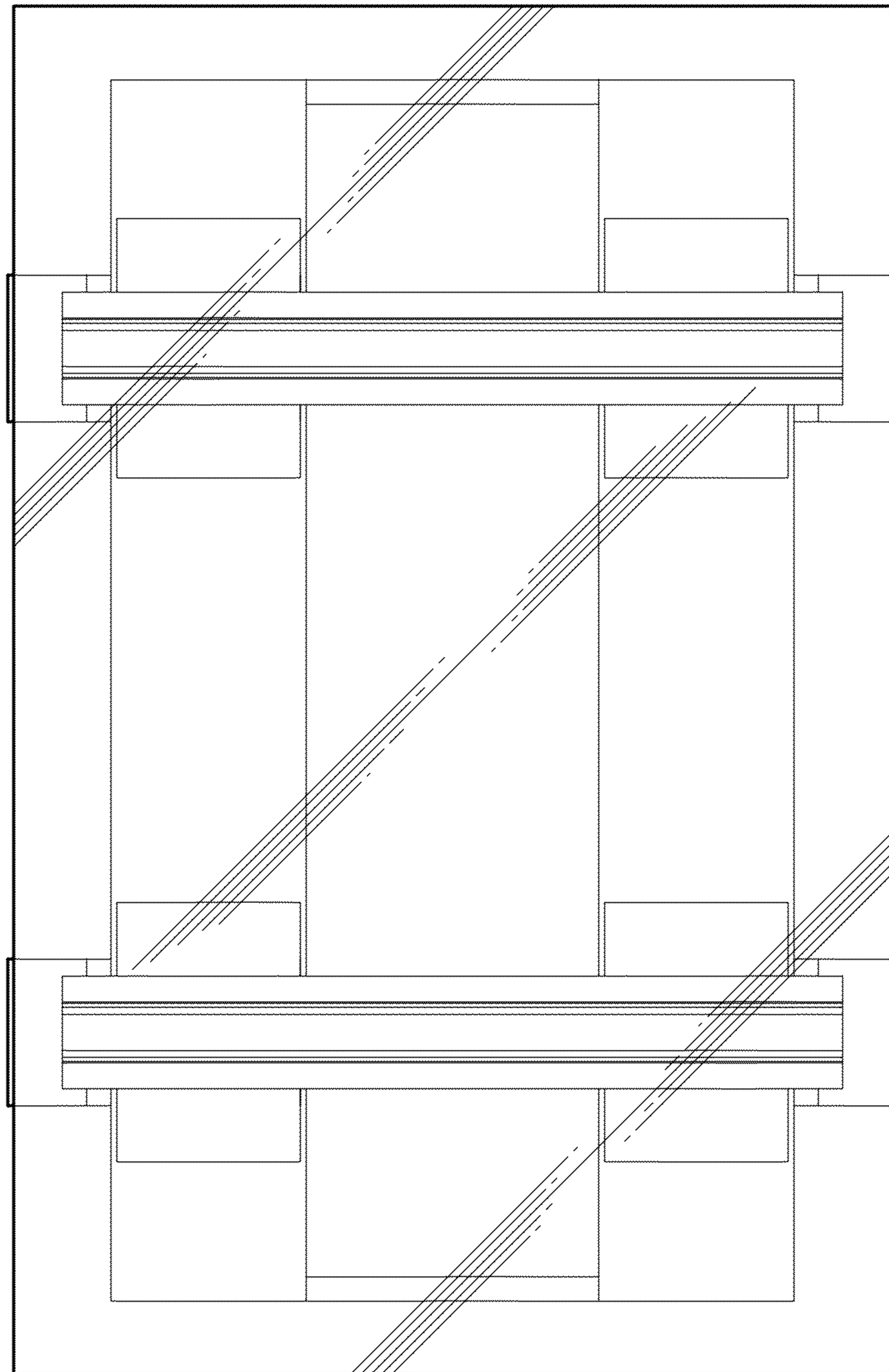


FIG. 5