



US00D685587S

(12) **United States Design Patent**
Tuncel

(10) **Patent No.:** **US D685,587 S**

(45) **Date of Patent:** **** Jul. 9, 2013**

(54) **TWIST BENCH**

(71) Applicant: **Levent Tuncel**, Marietta, GA (US)

(72) Inventor: **Levent Tuncel**, Marietta, GA (US)

(**) Term: **14 Years**

(21) Appl. No.: **29/441,184**

(22) Filed: **Jan. 2, 2013**

(51) **LOC (9) Cl.** **06-01**

(52) **U.S. Cl.**
USPC **D6/371; D6/377**

(58) **Field of Classification Search**
USPC D6/334-336, 355, 357, 371, 372,
D6/373, 374, 375, 377, 381, 716, 716.1, 716.2,
D6/716.3, 716.4; 297/232, 233, 445.1, 446.1,
297/448.1, 448.2, 452.32, 452.48
See application file for complete search history.

(56) **References Cited**

U.S. PATENT DOCUMENTS

D180,141 S * 4/1957 Futorian D6/377
D215,598 S * 10/1969 Miller D6/357

D226,464 S * 3/1973 Genaro D6/377
D249,988 S * 10/1978 Sprunger D6/357
D427,447 S * 7/2000 Vu et al. D6/381
D427,799 S * 7/2000 Vu D6/381
D576,820 S * 9/2008 Priestman D6/381

* cited by examiner

Primary Examiner — Mimoso De

(74) *Attorney, Agent, or Firm* — Sinorica, LLC

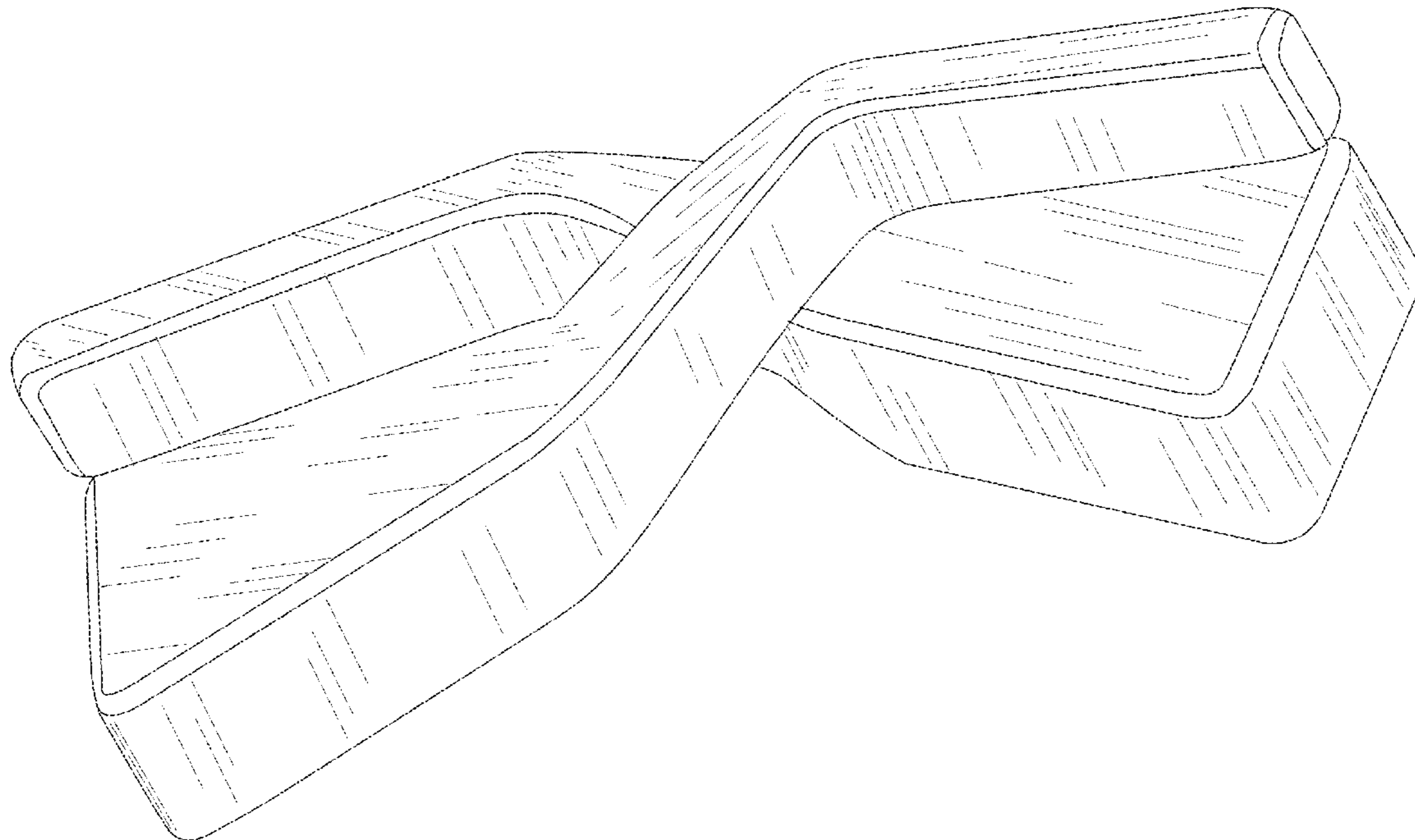
(57) **CLAIM**

The ornamental design for a twist bench, as shown and described.

DESCRIPTION

FIG. 1 is a perspective view of a twist bench;
FIG. 2 is a front elevational view thereof;
FIG. 3 is a rear elevational view thereof;
FIG. 4 is a right-side elevational view thereof;
FIG. 5 is a left-side elevational view thereof;
FIG. 6 is a top plan view thereof; and,
FIG. 7 is a bottom plan view thereof.

1 Claim, 7 Drawing Sheets



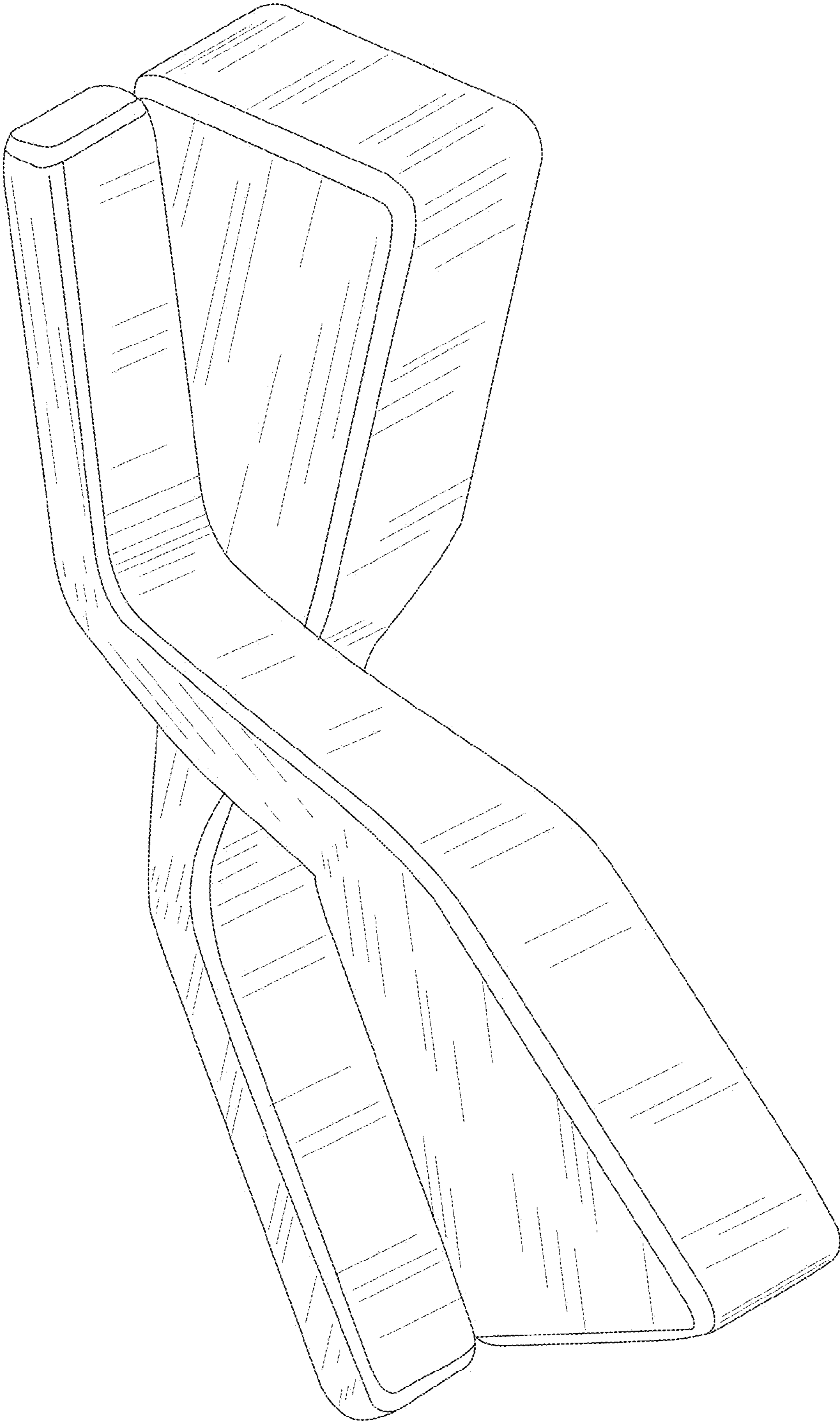


FIG. 1

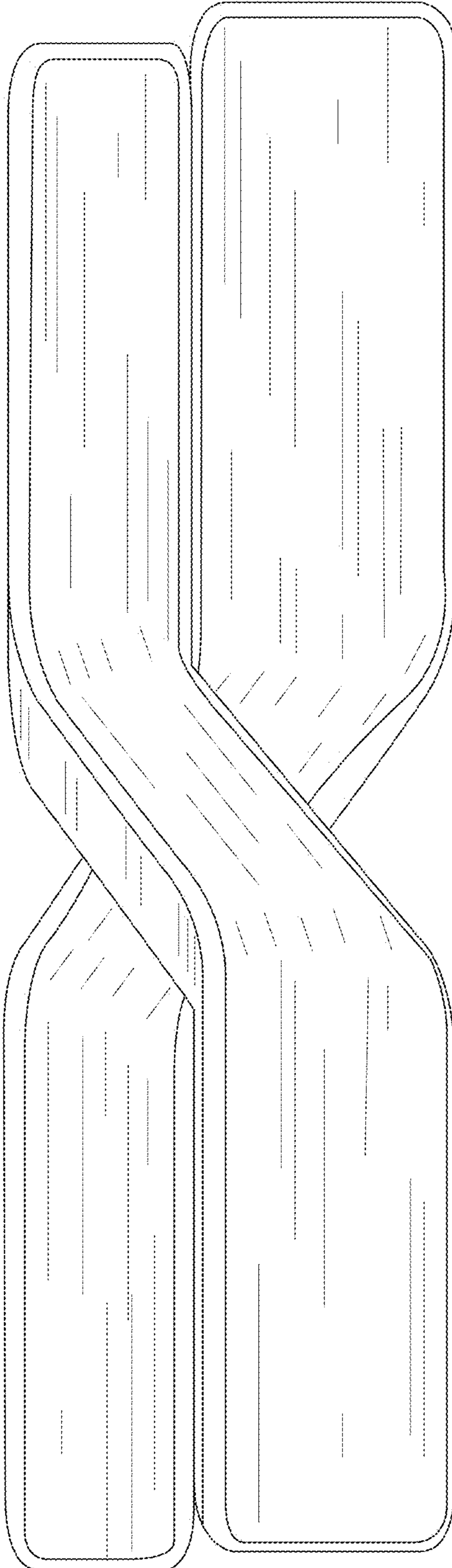


FIG. 2

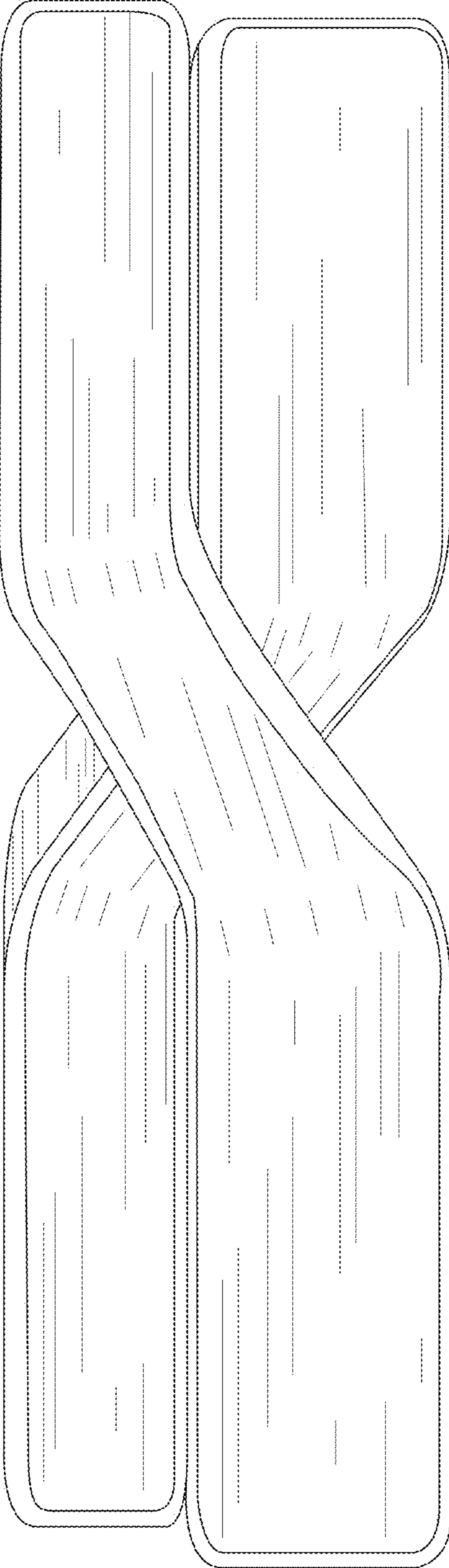


FIG. 3

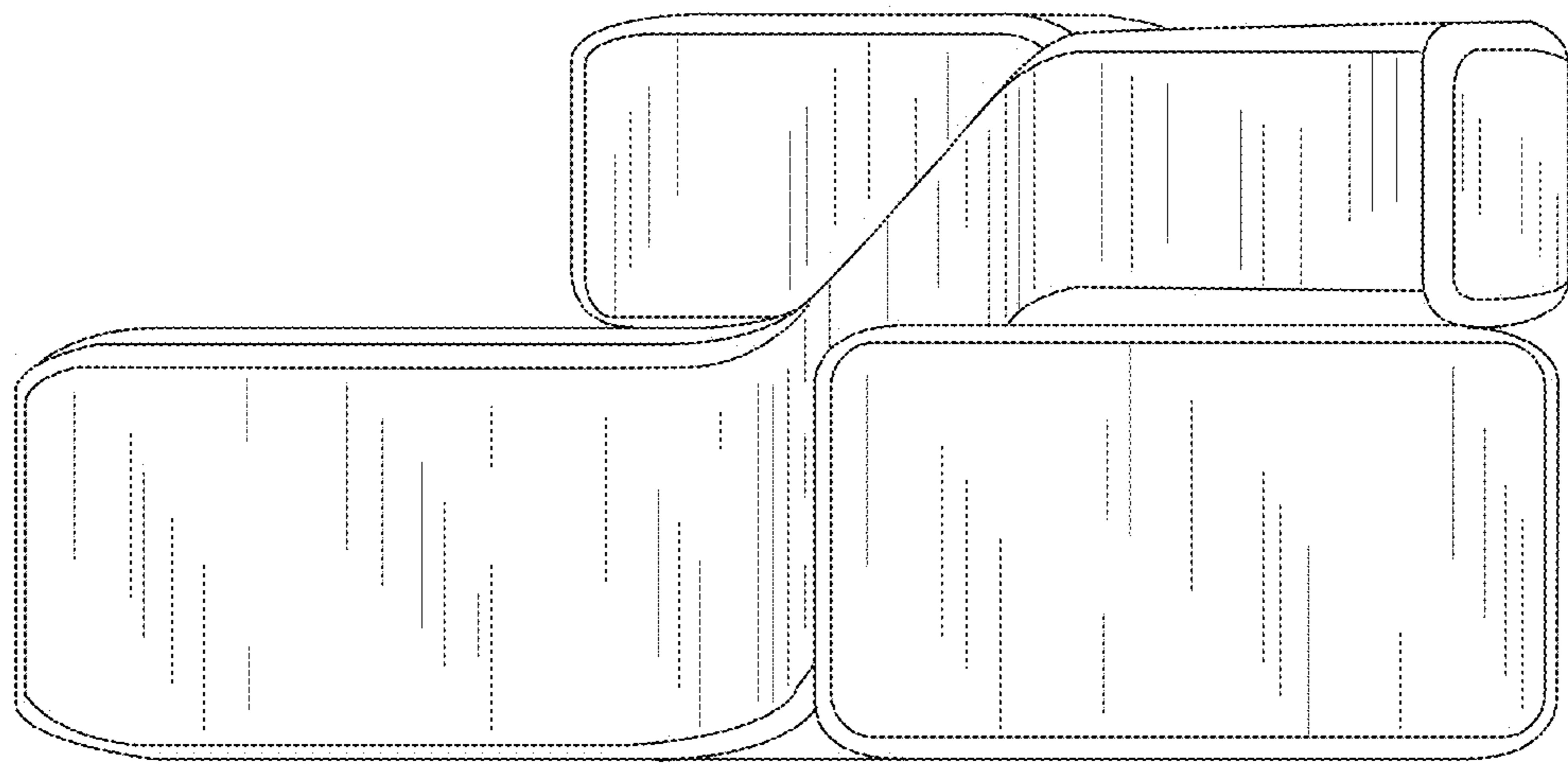


FIG. 4

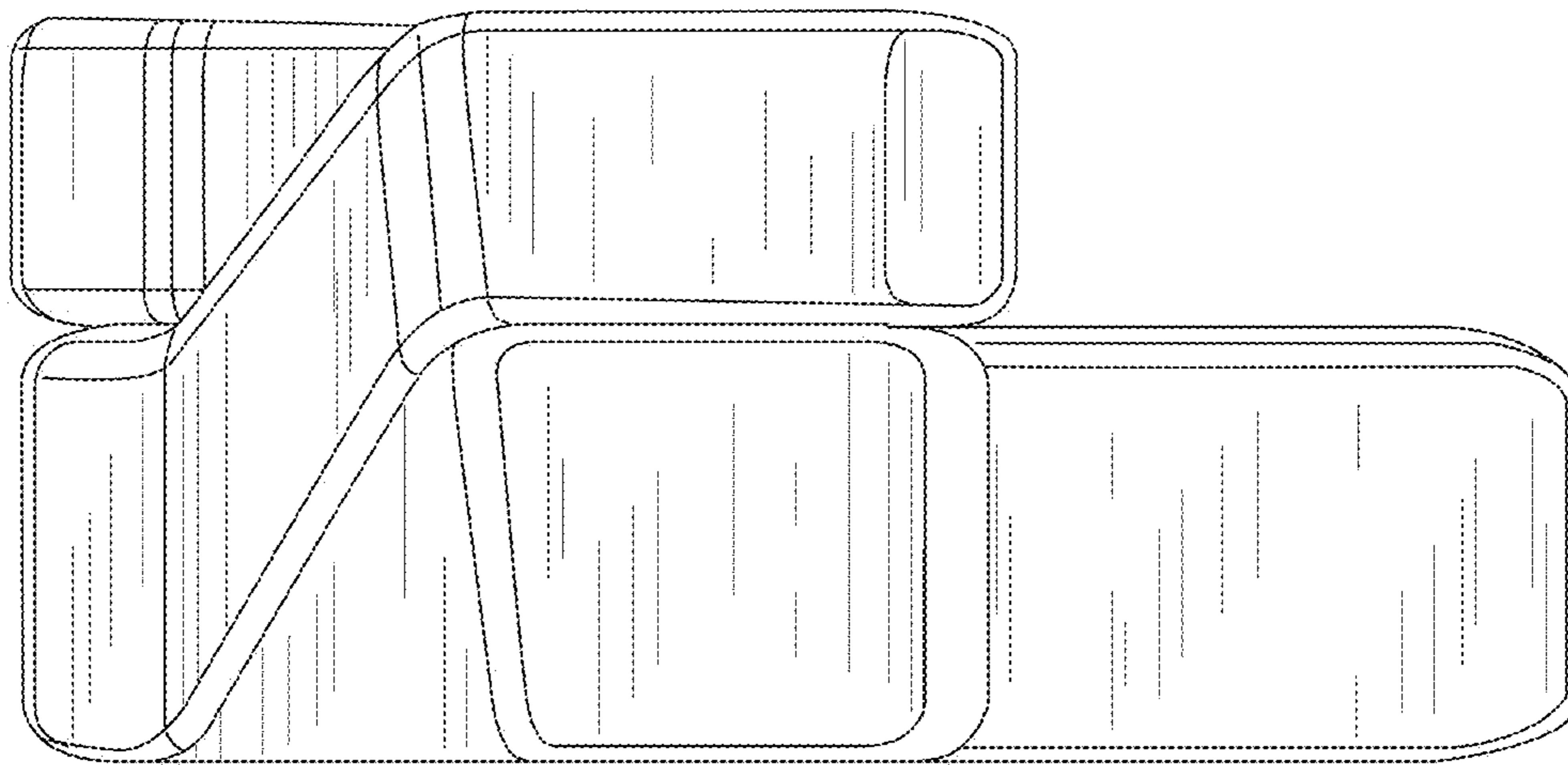


FIG. 5

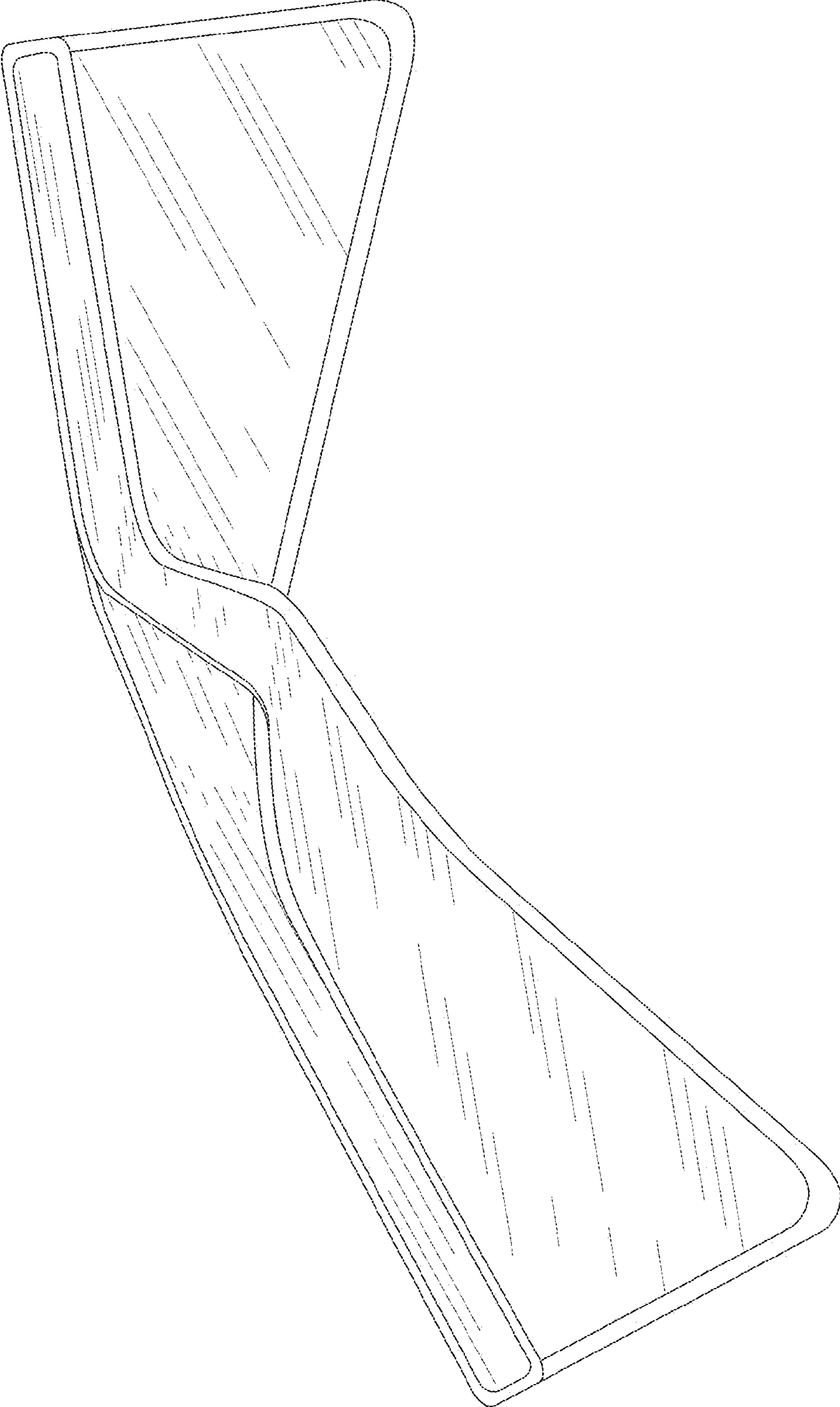


FIG. 6

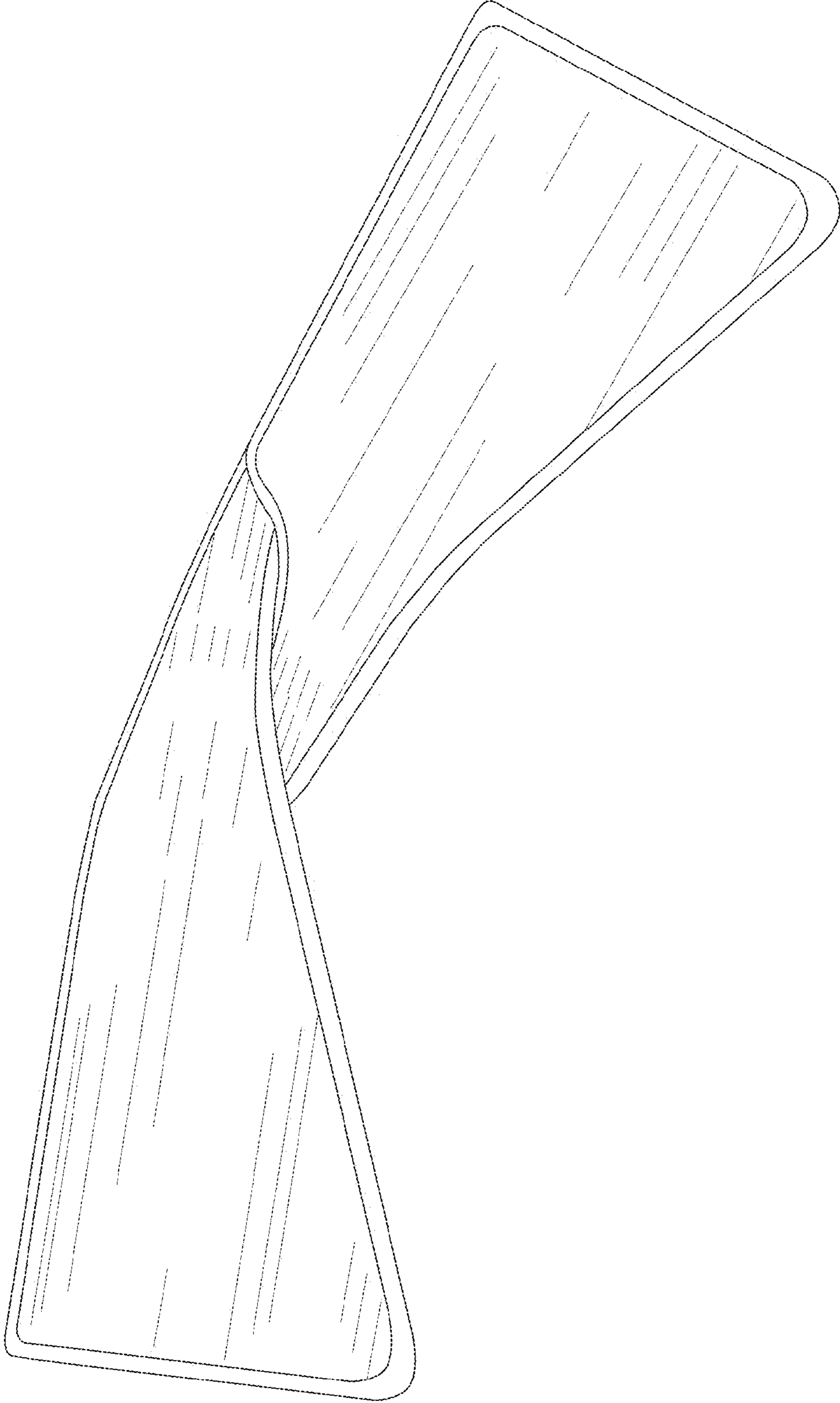


FIG. 7