



US00D685585S

(12) **United States Design Patent**
Udagawa et al.

(10) **Patent No.:** **US D685,585 S**
(45) **Date of Patent:** **** Jul. 9, 2013**

(54) **CHAIR**

(75) Inventors: **Masamichi Udagawa**, New York, NY
(US); **Sigrid Moeslinger**, New York, NY
(US)

(73) Assignee: **Knoll, Inc.**, East Greenville, PA (US)

(**) Term: **14 Years**

(21) Appl. No.: **29/423,807**

(22) Filed: **Jun. 5, 2012**

(51) **LOC (9) Cl.** **06-01**

(52) **U.S. Cl.**
USPC **D6/338**

(58) **Field of Classification Search**
USPC D6/334–336, 338, 340–355, 360,
D6/363–365, 367–373, 716.1–716.6, 717,
D6/717.2; 297/461, 462, 115, 116, 135,
160–162

See application file for complete search history.

(56) **References Cited**

U.S. PATENT DOCUMENTS

D148,956 S *	3/1948	Rhodes	D6/338
D156,695 S *	1/1950	Brafinan	D6/338
D159,975 S *	9/1950	Gilkison	D6/338
D169,012 S *	3/1953	Duer	D6/338
D169,033 S *	3/1953	Musacco	D6/350

D178,989 S *	10/1956	Ellert	D6/338
D195,457 S *	6/1963	Ingram et al.	D6/340
D202,984 S *	11/1965	House	D6/349
D226,066 S *	1/1973	Barecki	D6/338
D265,441 S *	7/1982	Menashe	D6/340
D292,756 S *	11/1987	Opsvik	D6/335
D398,452 S *	9/1998	Reddig	D6/338
D415,361 S *	10/1999	Moreau	D6/349
D505,022 S *	5/2005	Mills et al.	D6/338
D507,890 S *	8/2005	Mills et al.	D6/336
D521,750 S *	5/2006	Glass et al.	D6/336
D609,506 S *	2/2010	Adams et al.	D6/500

* cited by examiner

Primary Examiner — Susan Bennett Hattan

Assistant Examiner — Vy Koenig

(74) *Attorney, Agent, or Firm* — Buchanan Ingersoll & Rooney PC

(57) **CLAIM**

The ornamental design for a chair, as shown and described.

DESCRIPTION

FIG. 1 is a perspective view of a chair showing our new design;

FIG. 2 is a front elevational view thereof;

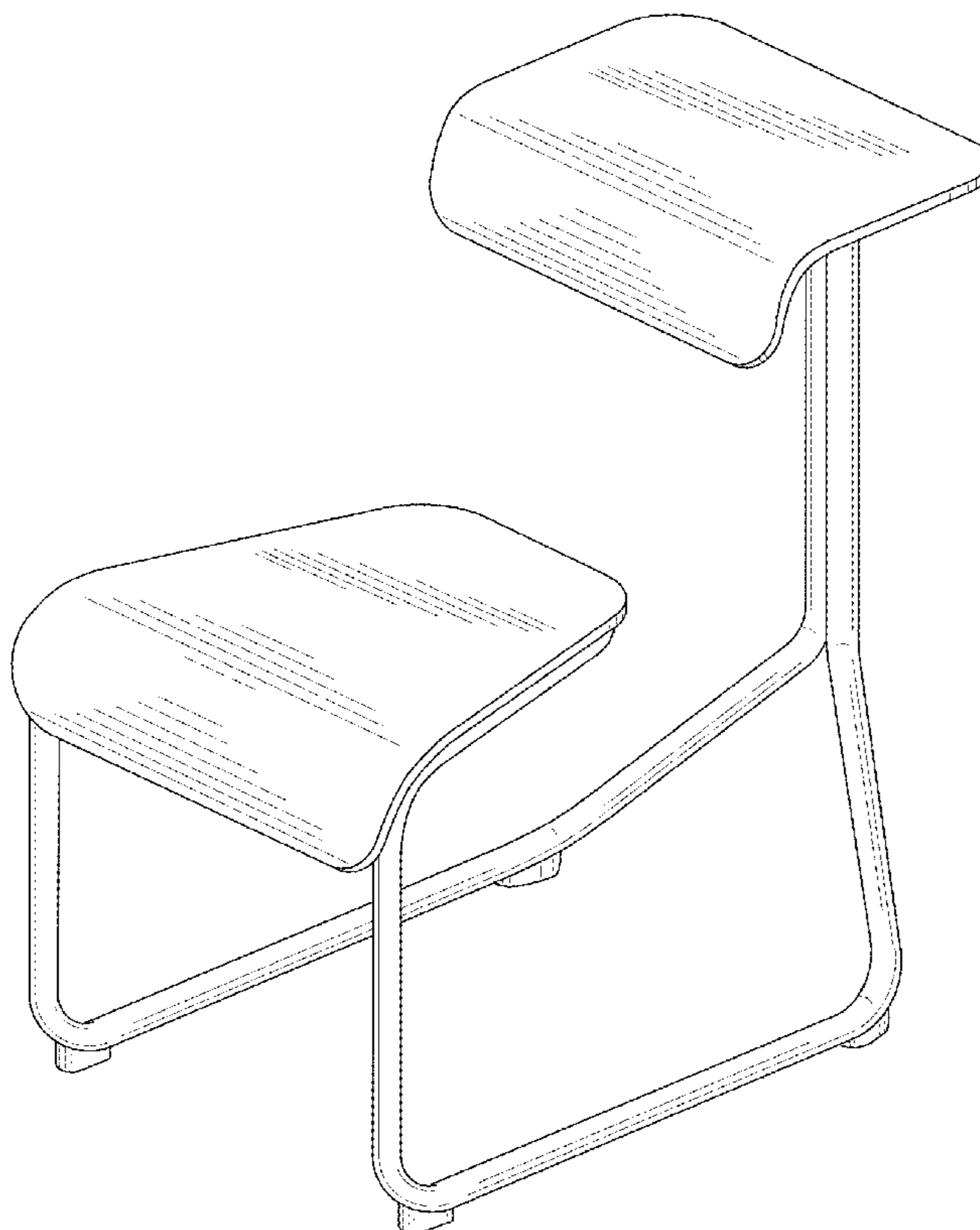
FIG. 3 is a rear elevational view thereof;

FIG. 4 is a left side elevational view thereof;

FIG. 5 is a right side elevational view thereof; and,

FIG. 6 is a top plan view thereof.

1 Claim, 6 Drawing Sheets



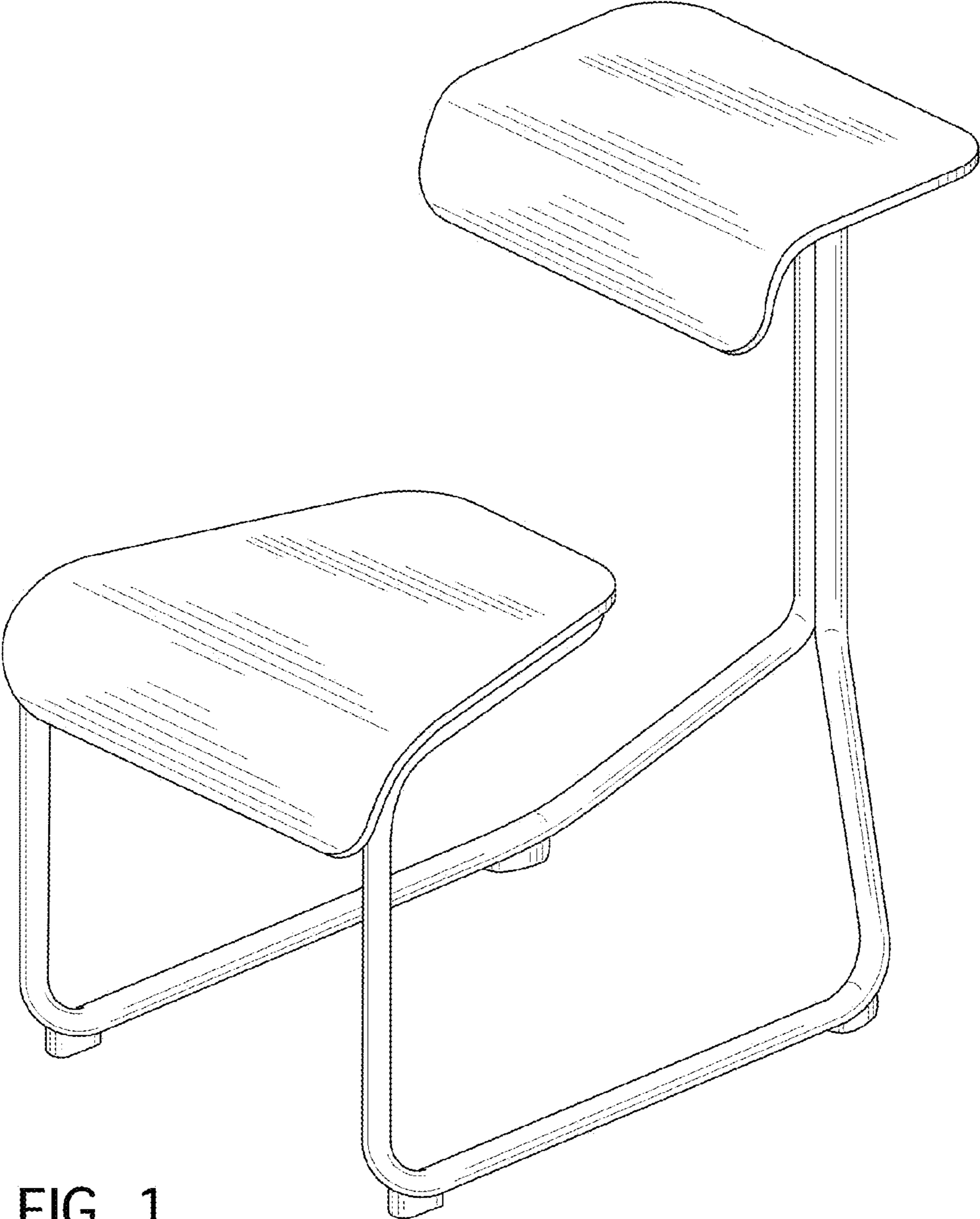


FIG. 1

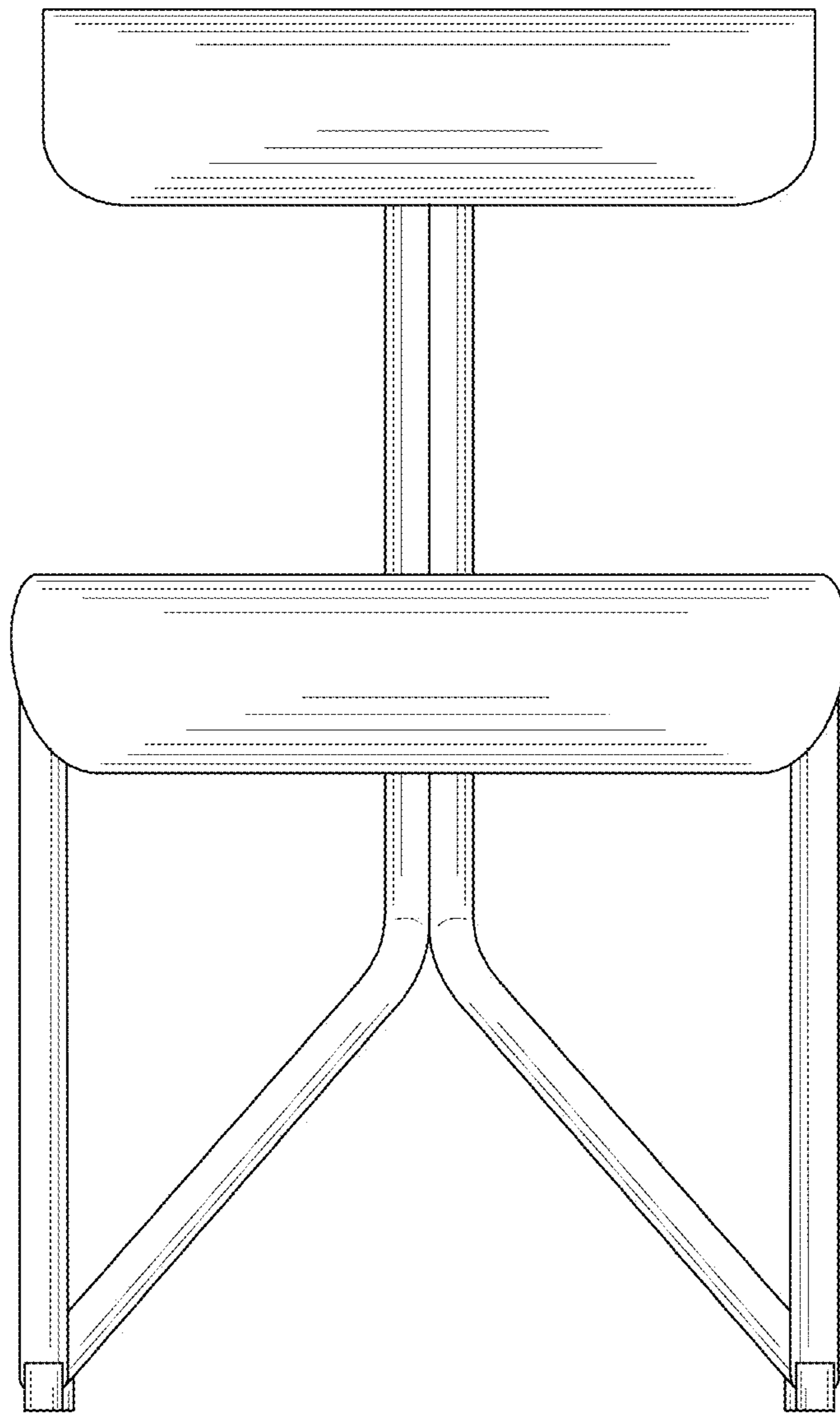


FIG. 2

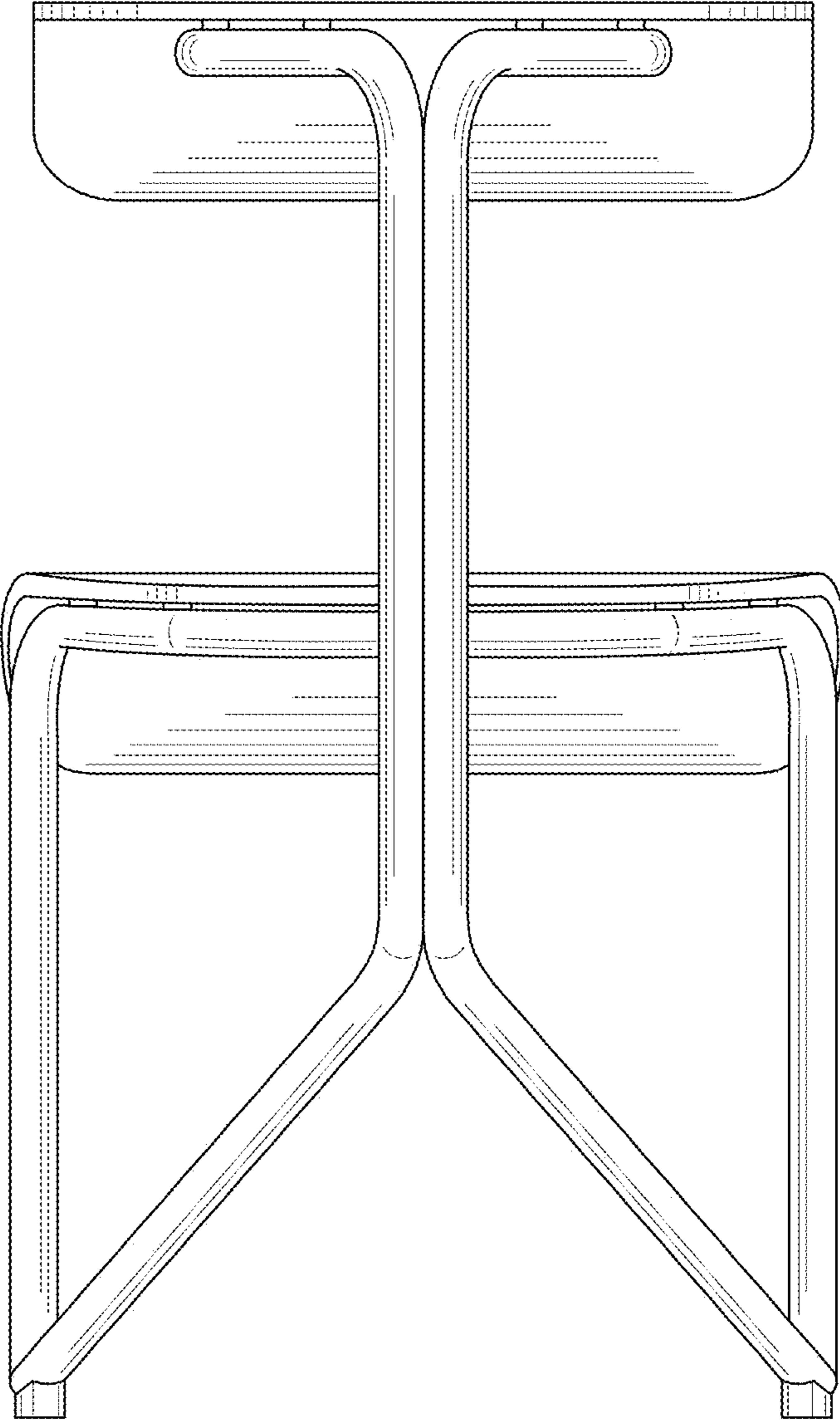


FIG. 3

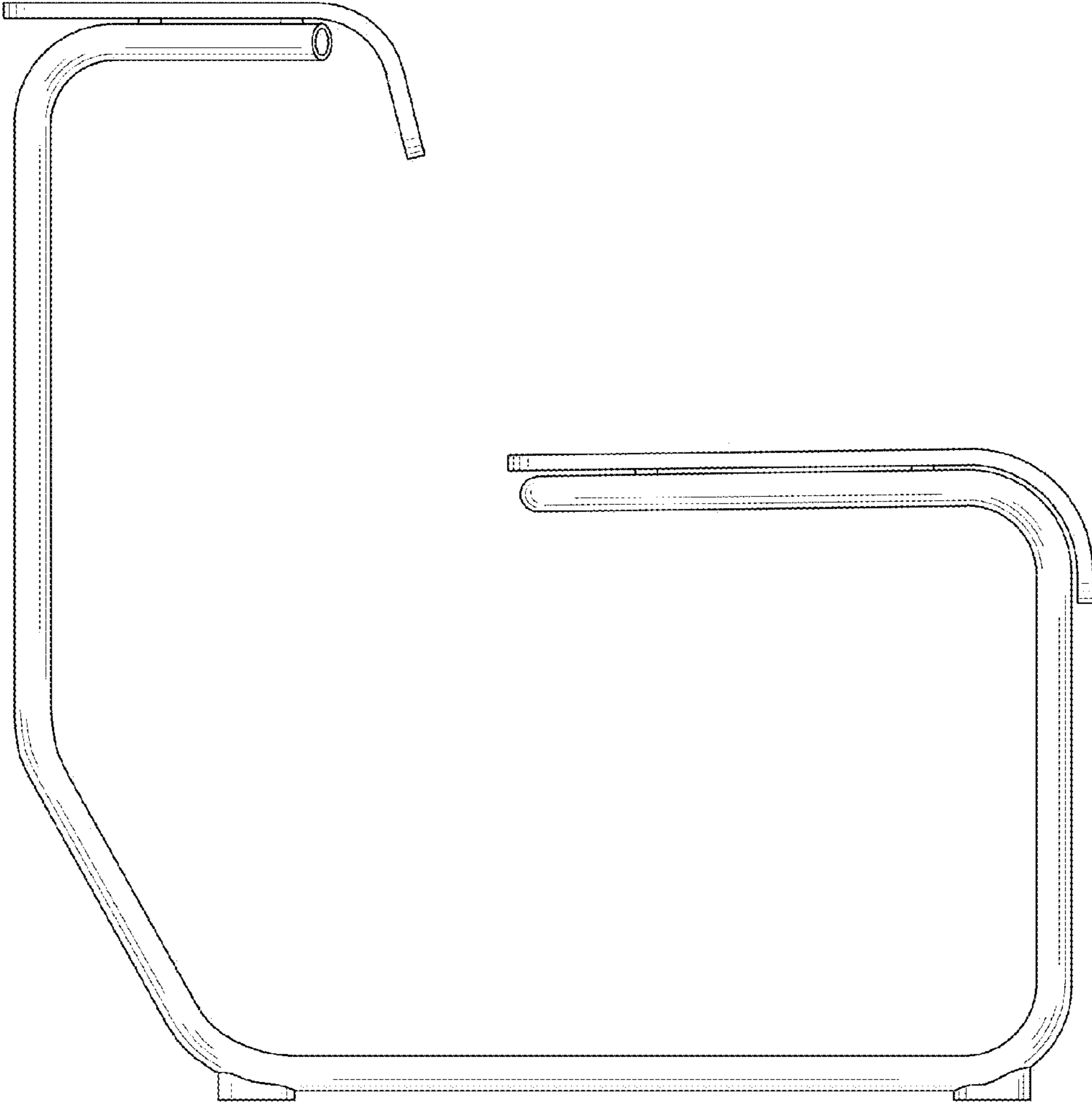


FIG. 4

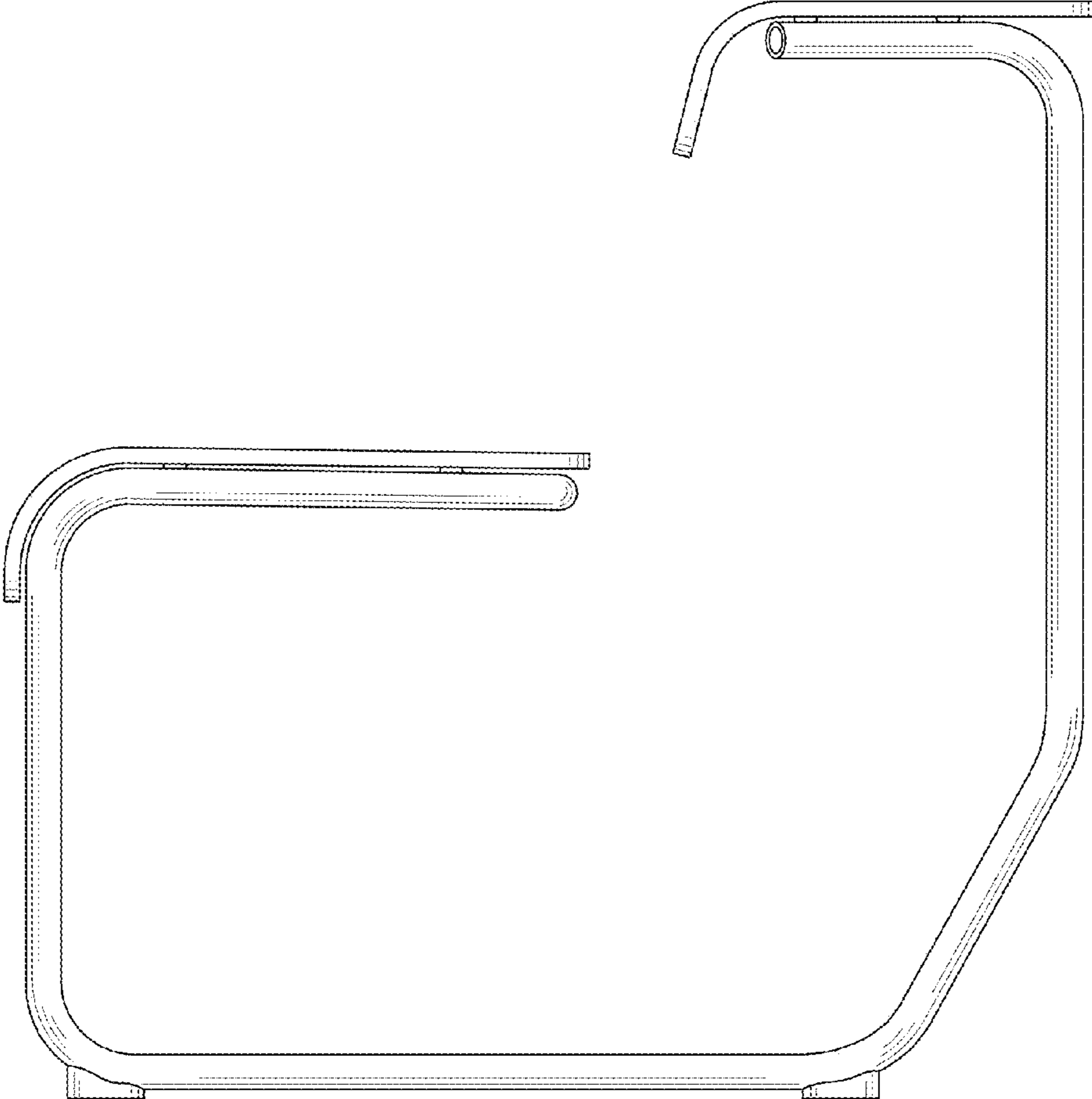


FIG. 5

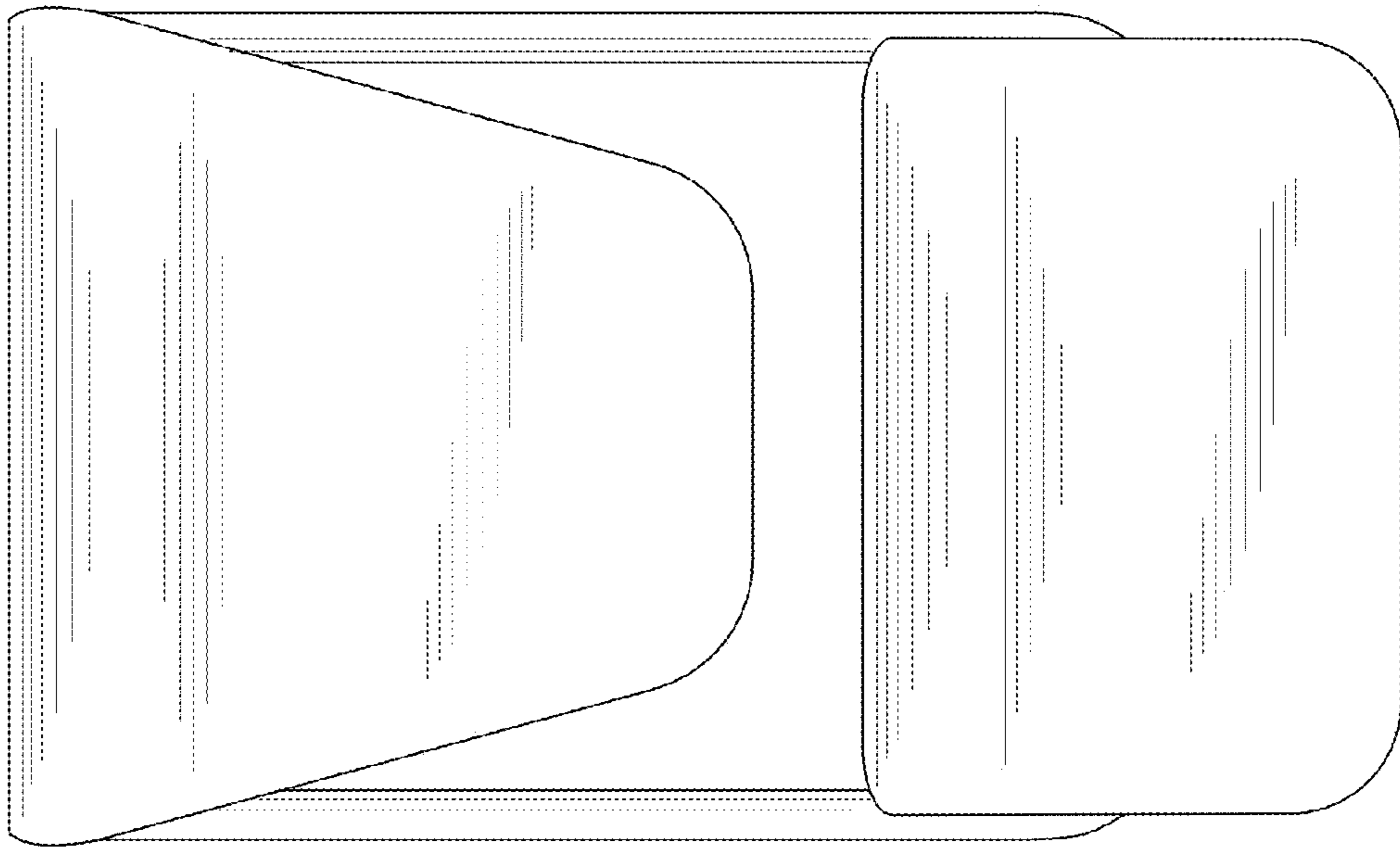


FIG. 6