



US00D685582S

(12) **United States Design Patent**  
**Steele**

(10) **Patent No.:** **US D685,582 S**

(45) **Date of Patent:** **\*\* Jul. 9, 2013**

(54) **FLY BOX INSERT**

(76) Inventor: **Thomas Steele**, Oak Park, IL (US)

(\*\*) Term: **14 Years**

(21) Appl. No.: **29/416,706**

(22) Filed: **Mar. 26, 2012**

(51) **LOC (9) Cl.** ..... **03-01**

(52) **U.S. Cl.**  
USPC ..... **D3/318; D3/260**

(58) **Field of Classification Search**  
USPC ..... D3/260, 318-319, 904-905; D22/134,  
D22/136, 199; 43/54.1, 55  
See application file for complete search history.

(56) **References Cited**

**U.S. PATENT DOCUMENTS**

1,827,929	A	*	10/1931	Bigelow	.....	206/315.11
D284,422	S	*	7/1986	Pomaville	.....	D3/295
D338,555	S	*	8/1993	Olson	.....	D3/260
D355,528	S	*	2/1995	Croft et al.	.....	D3/260
D383,897	S	*	9/1997	Hare	.....	D3/260

D629,611 S \* 12/2010 Ellins ..... D3/318

\* cited by examiner

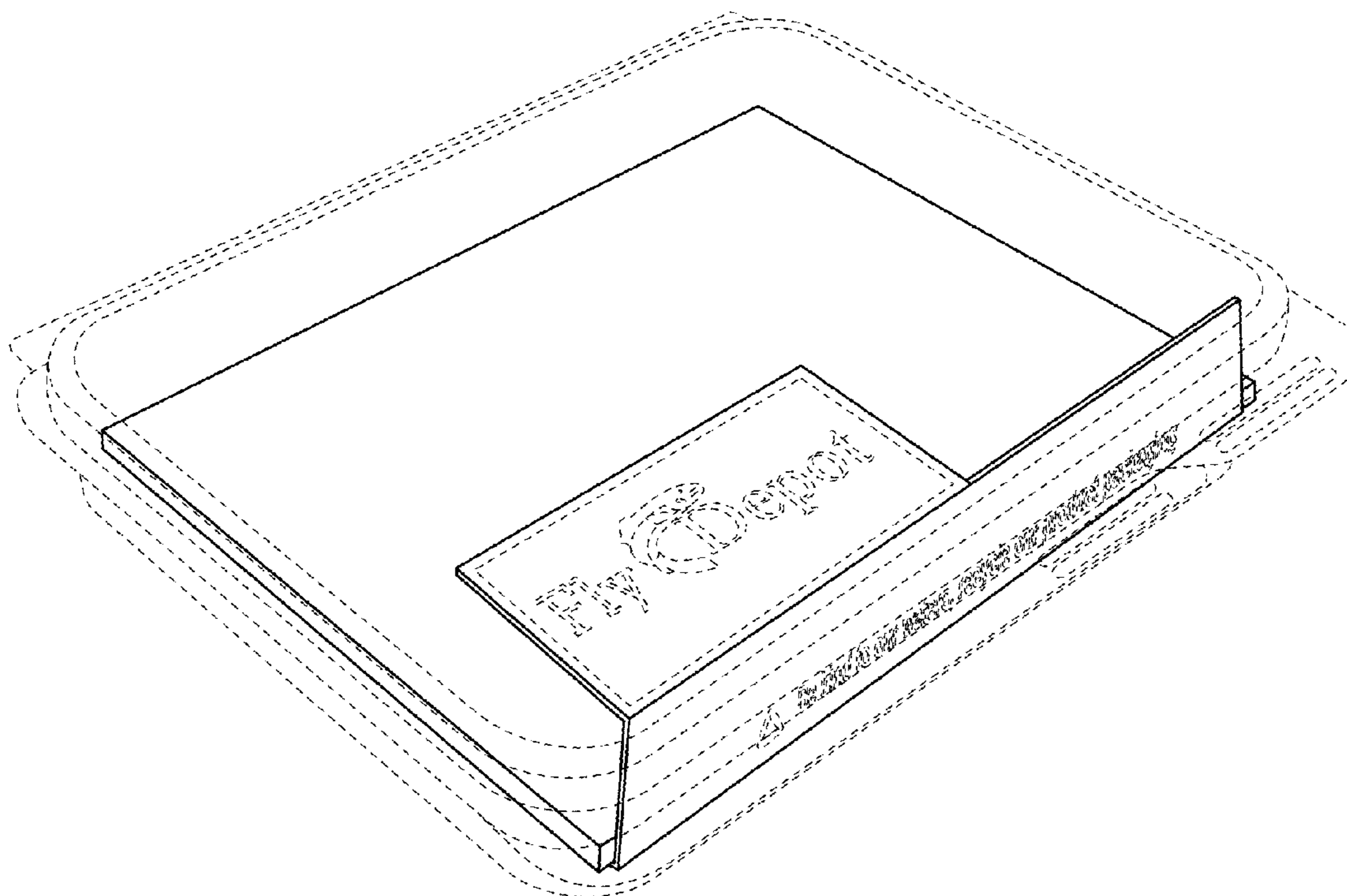
*Primary Examiner* — Catheri Oliver-Garcia  
(74) *Attorney, Agent, or Firm* — McAndrews, Held & Malloy, Ltd.

(57) **CLAIM**  
The ornamental design for a fly box insert, as shown and described.

**DESCRIPTION**

FIG. 1 is a top perspective view my new design for a fly box insert;  
FIG. 2 is a bottom perspective view thereof;  
FIG. 3 is a left-side elevation view thereof;  
FIG. 4 is a right-side elevation view thereof;  
FIG. 5 is a front elevation view thereof;  
FIG. 6 is a rear elevation view thereof;  
FIG. 7 is top plan view thereof;  
FIG. 8 is a bottom plan view thereof; and,  
FIG. 9 is a top perspective view thereof.  
The broken lines in the drawings are included for the purpose of illustrating environmental subject matter and form no part of the claimed design.

**1 Claim, 6 Drawing Sheets**



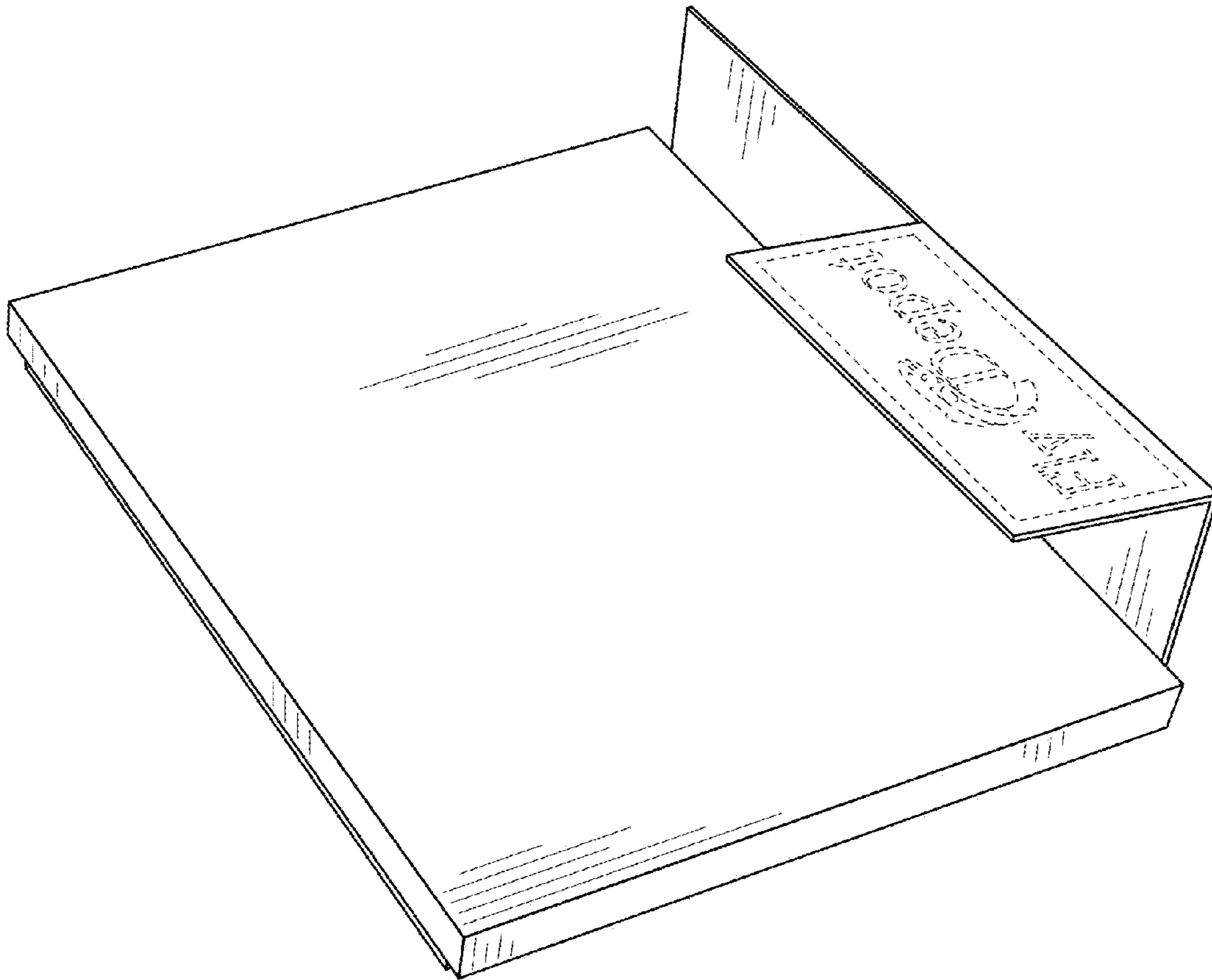


FIG. 1

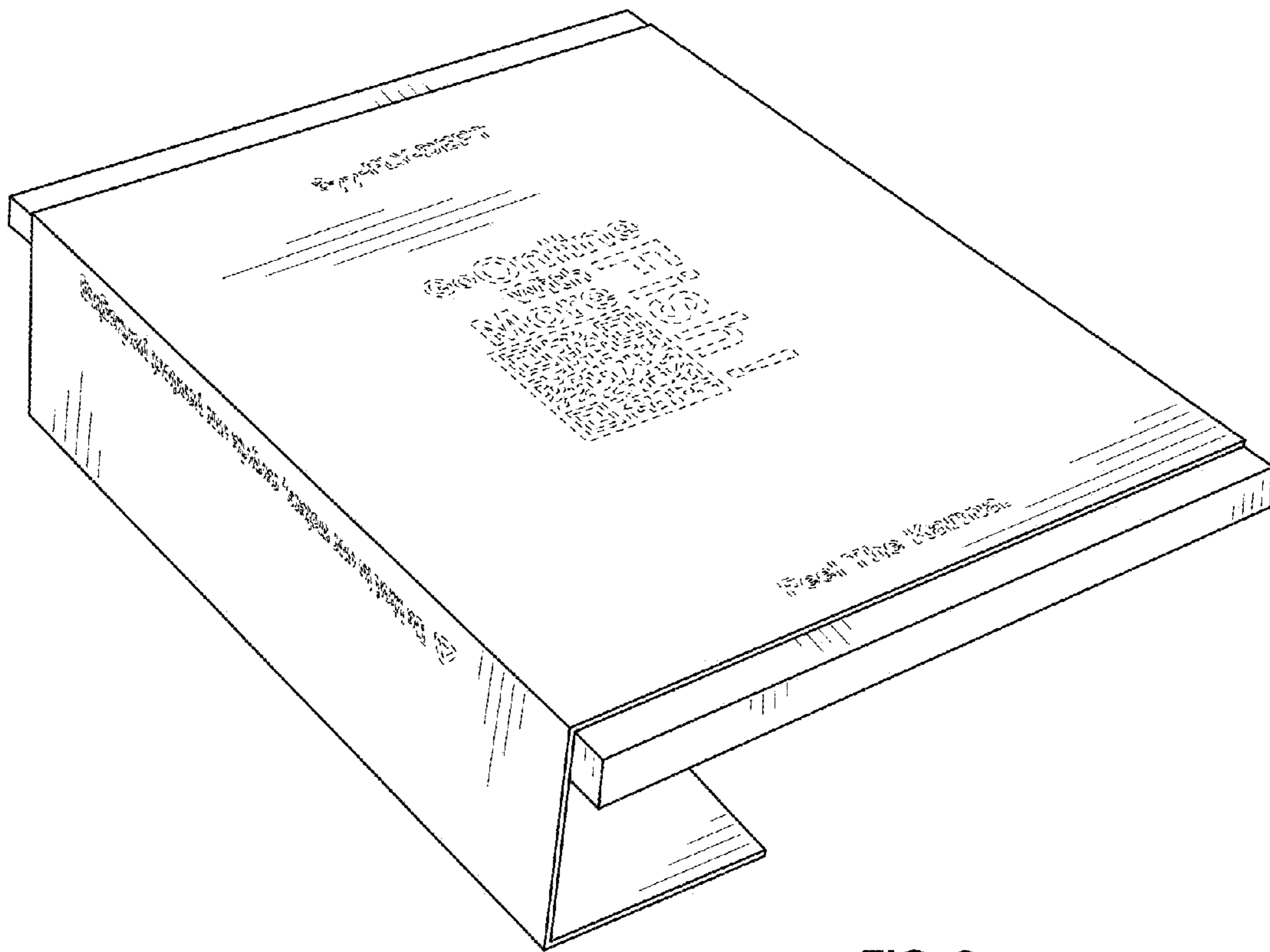


FIG. 2

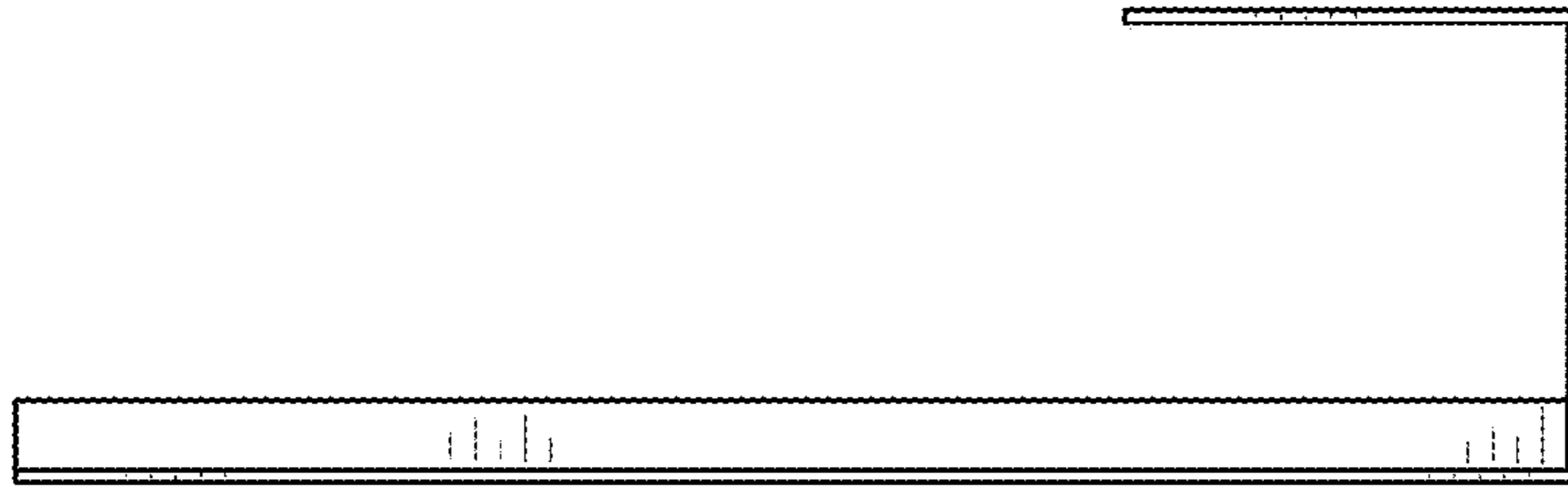


FIG. 3

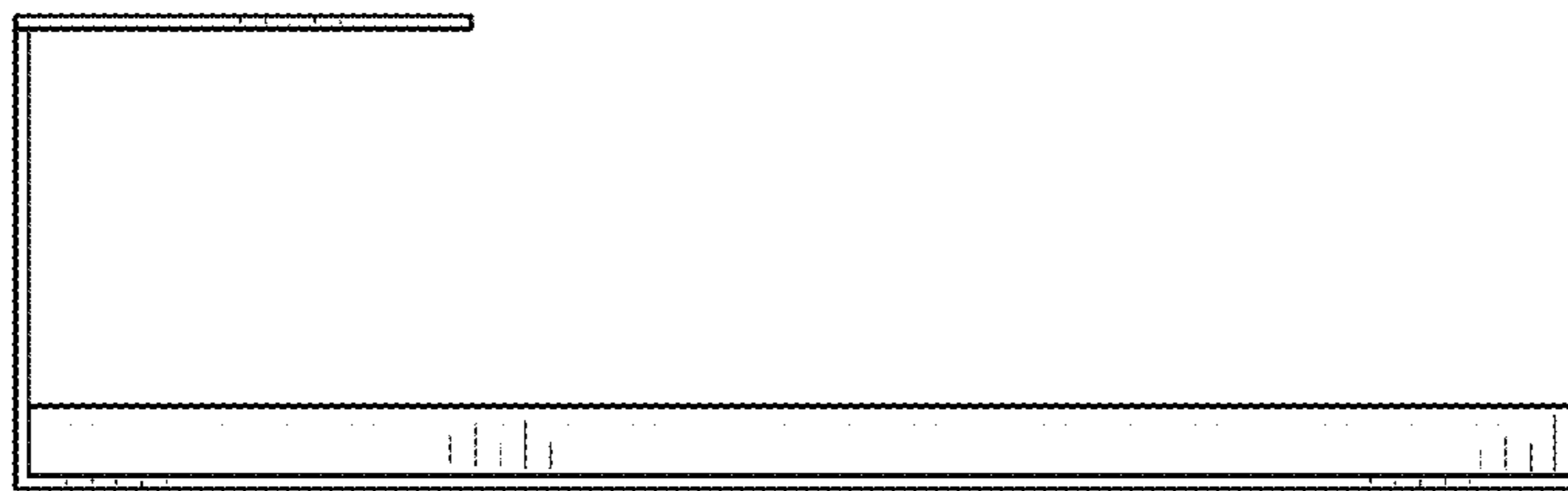


FIG. 4

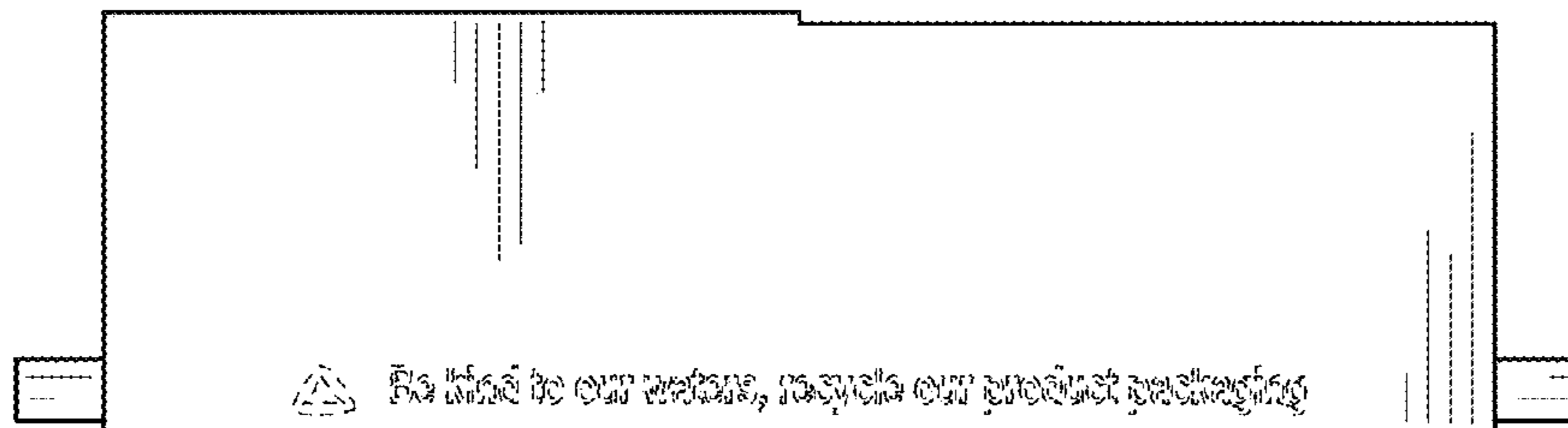


FIG. 5

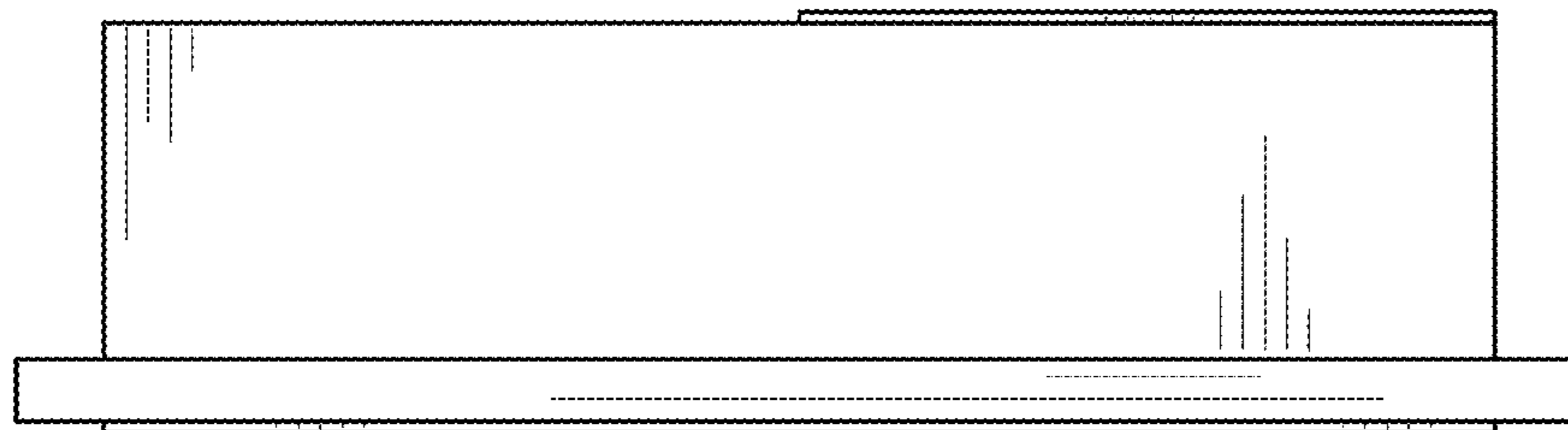


FIG. 6

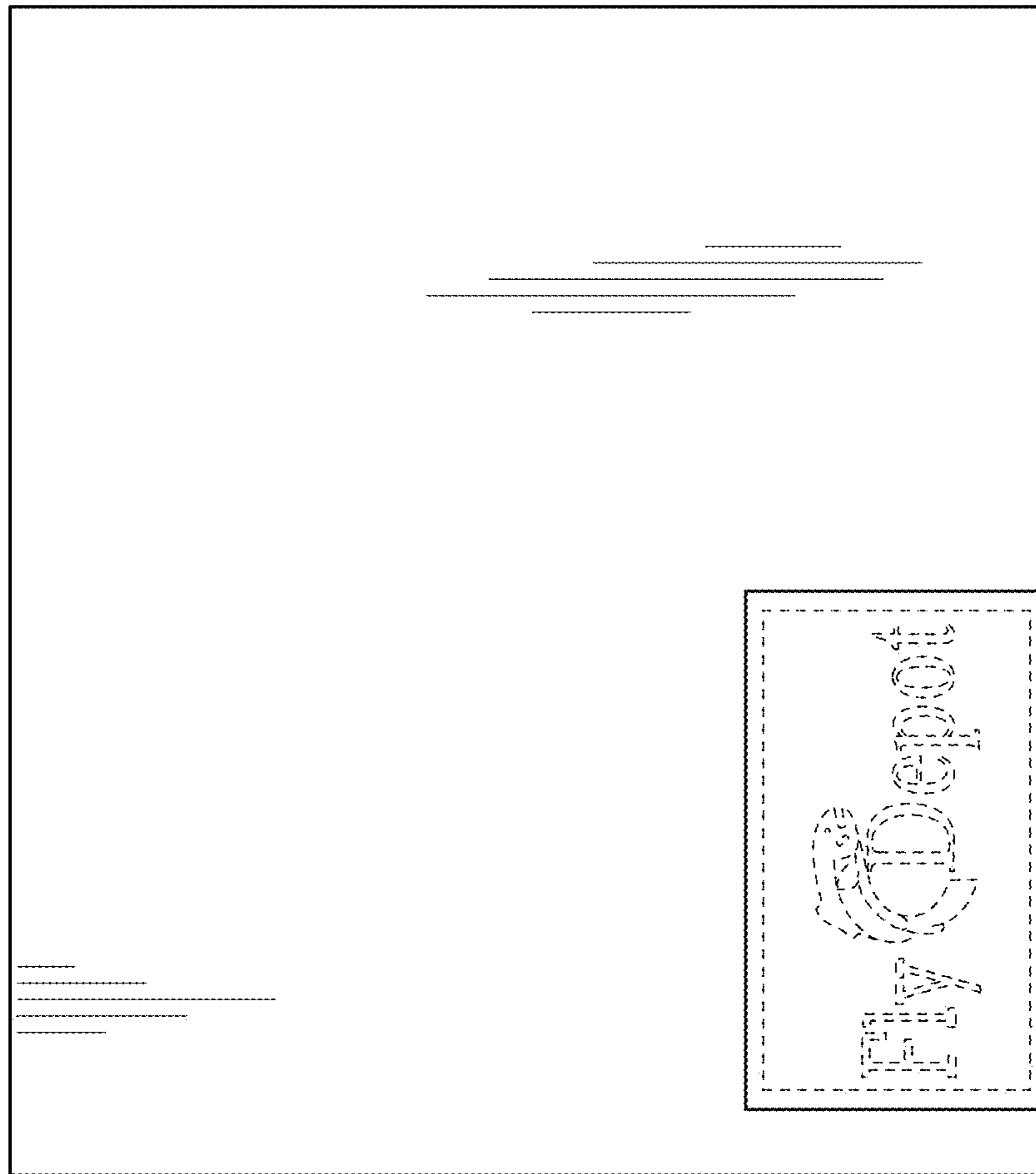


FIG. 7

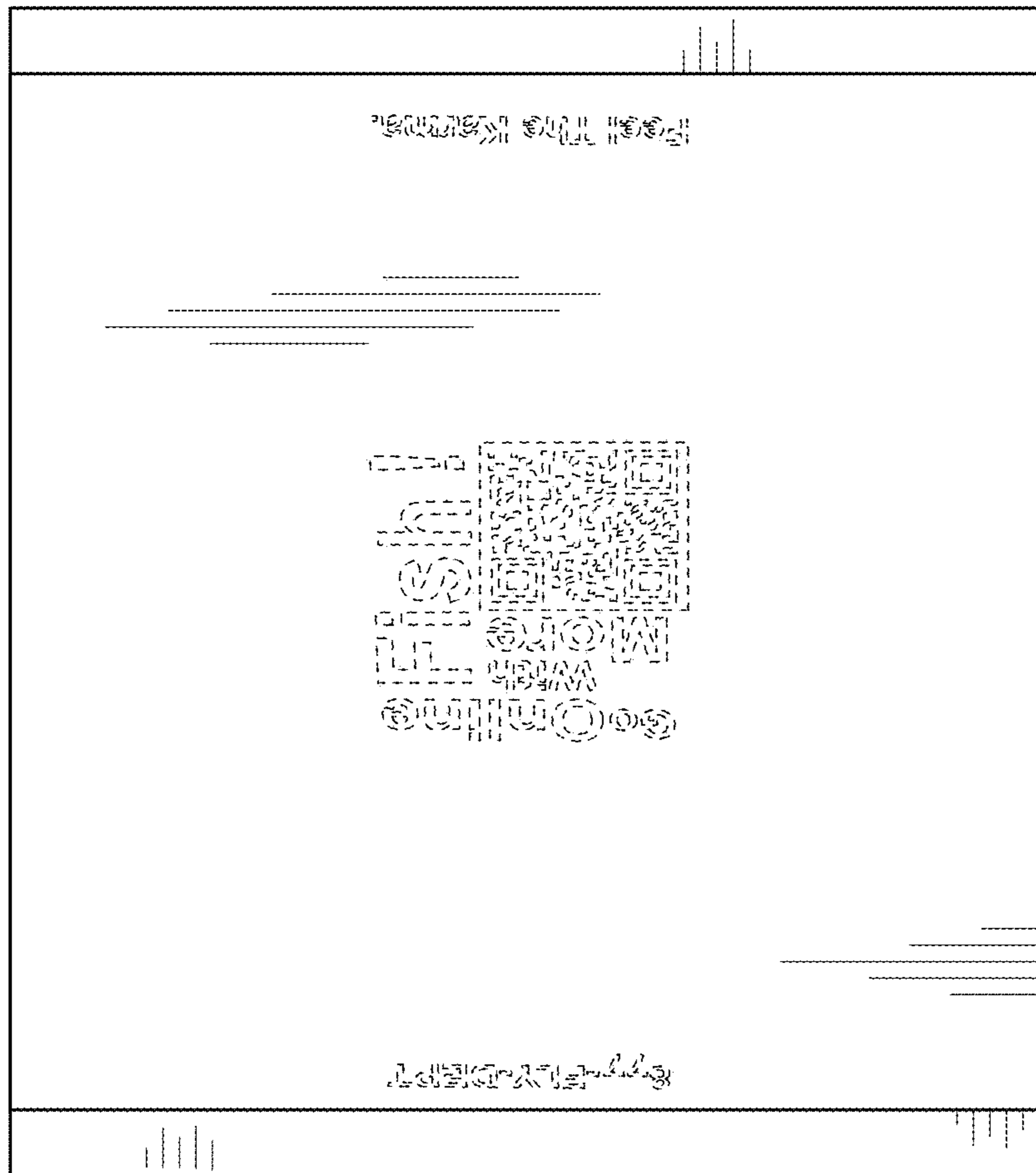


FIG. 8

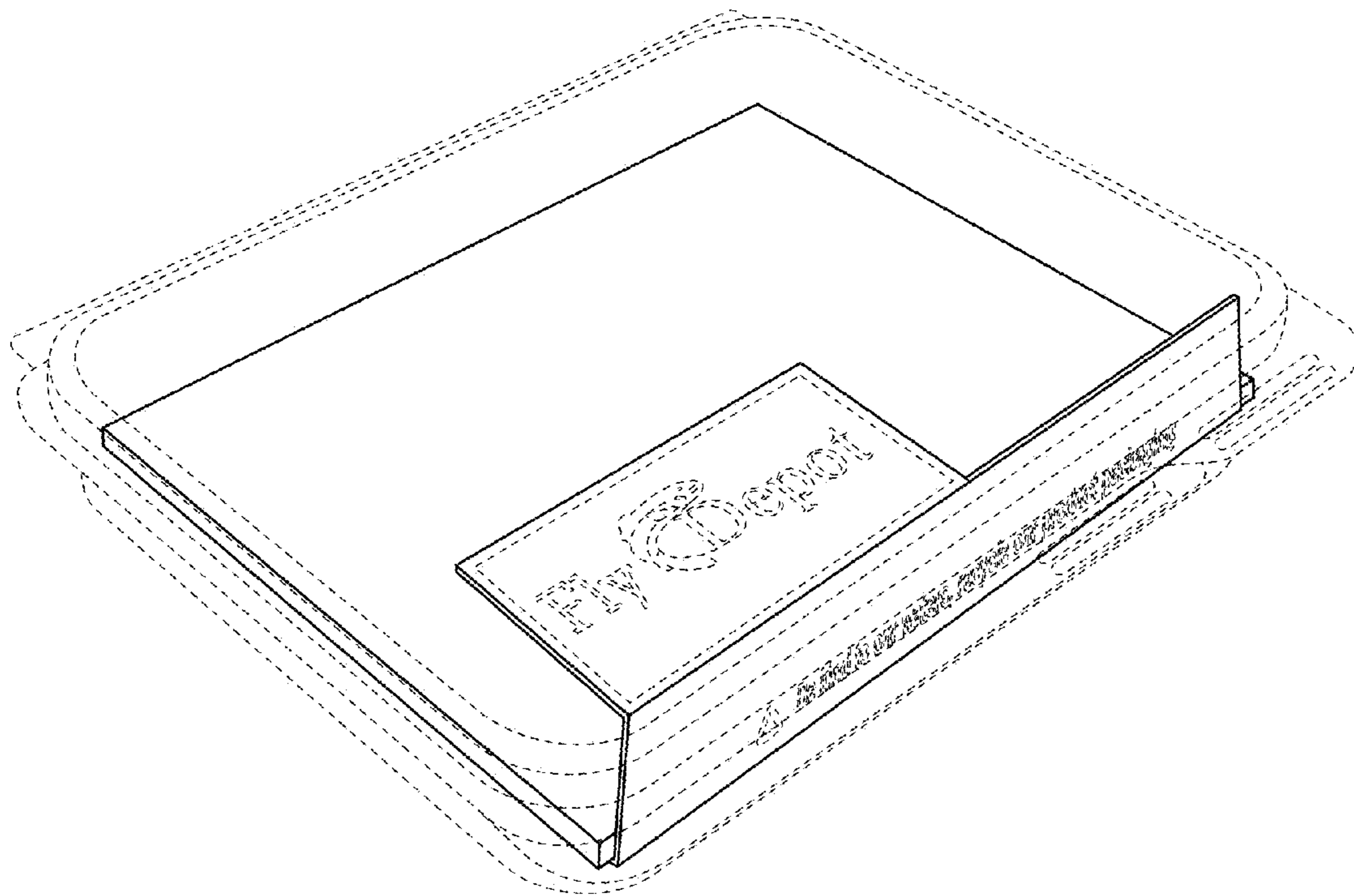


FIG. 9